



Folder 90 - 180

SALICE

Folder

Folder is a concertina door system, created by combining hinged and sliding doors. It is available with **two opening angles**.

Folder 90, for compartments up to 1200 mm. Allows **90° overlapping of doors**. It is ideal for furniture placed where a 90° opening is required.

Folder 180 for compartments up to 1500 mm wide. Allows the doors a **maximum opening of 180°**, giving unrestricted access to the interior of the cabinet.



• Folder 180 •



• Folder 90 •



• Folder •

Folder

Folder 180, like **Folder 90** is also suitable for furniture **recessed into walls**.

For both, a simple gentle action is all it takes to open and close the doors with **an assisted, decelerated and smooth motion**.

Versatile and suitable for any room, with a system height of 35 mm, **Folder** is the ideal solution to apply to any type of furniture.



• Folder 90 - Recessed •



• Folder 180 - Recessed •

VERSATILITY

The 180° opening of **Folder 180**, which allows full unrestricted access to the cabinet. The 90° opening version of **Folder 90** is useful when there are walls or obstructions at the side of the cabinet, **Folder** offers a solution to any applications.



• Folder 180 - Unrestricted access to the cabinet •



• Folder 90 - Wall alongside the cabinet •

It can be **installed either under the base or on the top of units** giving you the versatility to use this system on many types of furniture. From standard wardrobes, corner wardrobes to multiple kitchen units. Folder can create a transition between rooms with effortless style, as well as suitable to be used on bathroom cabinets creating easy access.



• Folder 90 e 180 - Kitchen wall units •



• Folder 180 - Conventional cabinet - bedroom •



• Folder 90 - Hallway cabinet •



• Folder 180 - Bathroom cabinet •

Folder

FUNCTIONALITY

Folder is a concertina door system that allows the doors to be folded back on themselves, offering a **minimal profile**, this **maximises the open access** and utilisation of cabinet.

Folder 180 allows the doors to overlap folding completely, full unrestricted access to cabinet at point of **maximum opening**.

Full size **internal drawers without any spacers** or restrictions on opening can be utilised.



• **Folder 180 - Maximum opening** •



• **Folder 180 - Unrestricted access to the cabinet** •



• **Folder 180 - Internal drawers without the need of spacers** •



• **Folder 180 - Corner cabinet - Unrestricted access to the cabinet** •

In the case of corner cabinets, allows free movement and **accessibility** to all areas of cabinet **with no restrictions**.

Applicable to wooden doors or aluminium profile doors, **Folder** is ideal for maximising space and functionality in any room.

COMFORT

With a gentle pull of the hand, a **smooth and silent** opening and closing **movement** is achieved, thanks to assisted control.

Folder 180 when opening, the door is **accompanied up to mid-way**. A spring system then takes over, bringing the doors to full opening. The utilisation of a damper ensures that the door gently reaches the maximum opening. Similarly, closing involves the use of a hand to bring the door up to mid-way, leaving the spring system to complete the **closing process, cushioned** by the damper.



• Folder 180 - Assisted opening and closing •



• Folder 180 •

Folder 90 requires the door to be **manually operated during opening until the doors achieve maximum opening**.

A magnetic system gently accompanies the doors to the closed position.



• Folder 90 - Manual opening, assisted close •



• Folder 90 •

Dampers, springs and magnetic systems are the ingredients that Salice skilfully combines to make **Folder** a system unique, with a truly smooth and soundless operation.

Index



Folder 90

page 11



Folder 180

page 17

Part numbers and packing

page 23



Folder 90

Folder 90 • Double hinged door • 94° opening

System for concertina doors

- Max opening 94°
- Automatic opening and closing action controlled by silicon oil dampers and by a magnetic damper for a smooth and gently decelerated movement
- Fixing of the doors to the cabinet side with external SILENTIA+ hinges or with recessed CONECTA 94° hinges

SILENTIA+ Series 200 94° version

- The track can be assembled under the bottom panel or on the top of the cabinet for column units, wardrobes, base units and wall units.
- Adjustment of the closing speed of the doors
- Fully adjustable in three directions

Technical information

- Thickness of wooden door with SILENTIA+ (series 200 94°) hinges:
from 19 mm to 25 mm (K=4, K=5)
- Width of each single wooden door:
from 350 mm to 600 mm
- Door height:
 - Min. 600 mm
 - Max. 2800 mm
- Formula to determine the min. door height
 $HA \text{ Min.} = (4 \times TL) / 3$
 Example:
 $TL = 600$
 $HA \text{ Min.} = 800$
 $(4 \times 600) / 3 = 800$
- Cabinet depth ≥ 350 mm

CONECTA 94° version

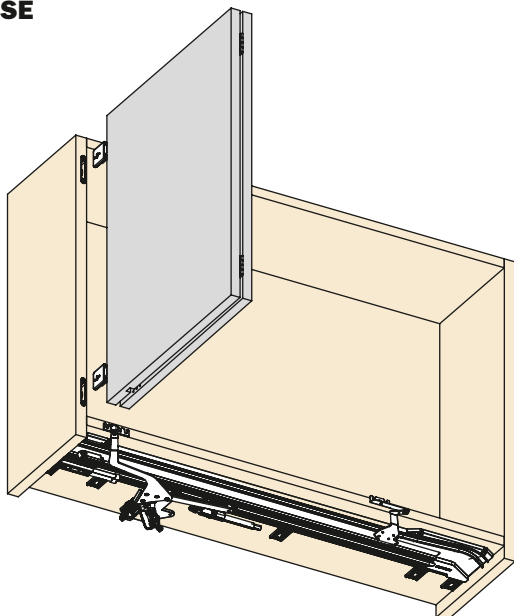
- The track can be assembled under the bottom panel or on the top of the cabinet for column units, wardrobes, base units and wall units.
- Adjustment of the closing speed of the doors
- Fully adjustable in three directions

Technical information

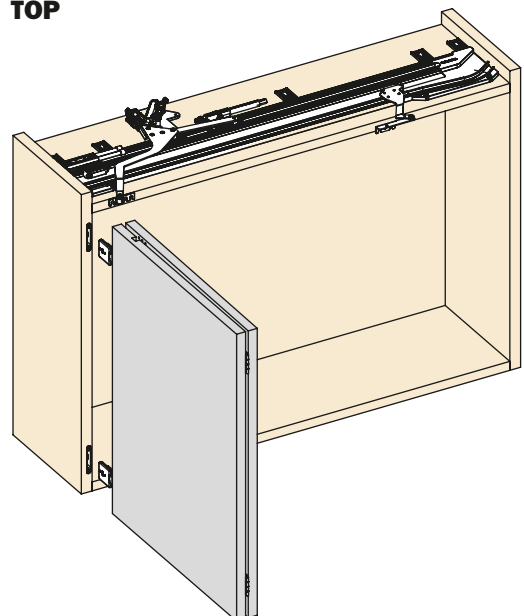
- Thickness of wooden door with CONECTA 94° hinges:
25 mm
- Width of each single wooden door:
from 350 mm to 600 mm
- Width of each single aluminium-framed door:
from 350 mm to 600 mm
- Door height:
 - Min. 600 mm
 - Max. 2800 mm
- Formula to determine the min. door height
 $HA \text{ Min.} = (4 \times TL) / 3$
 Example:
 $TL = 600$
 $HA \text{ Min.} = 800$
 $(4 \times 600) / 3 = 800$
- Cabinet depth ≥ 330 mm

HA = Door height
TL = Door width

BASE



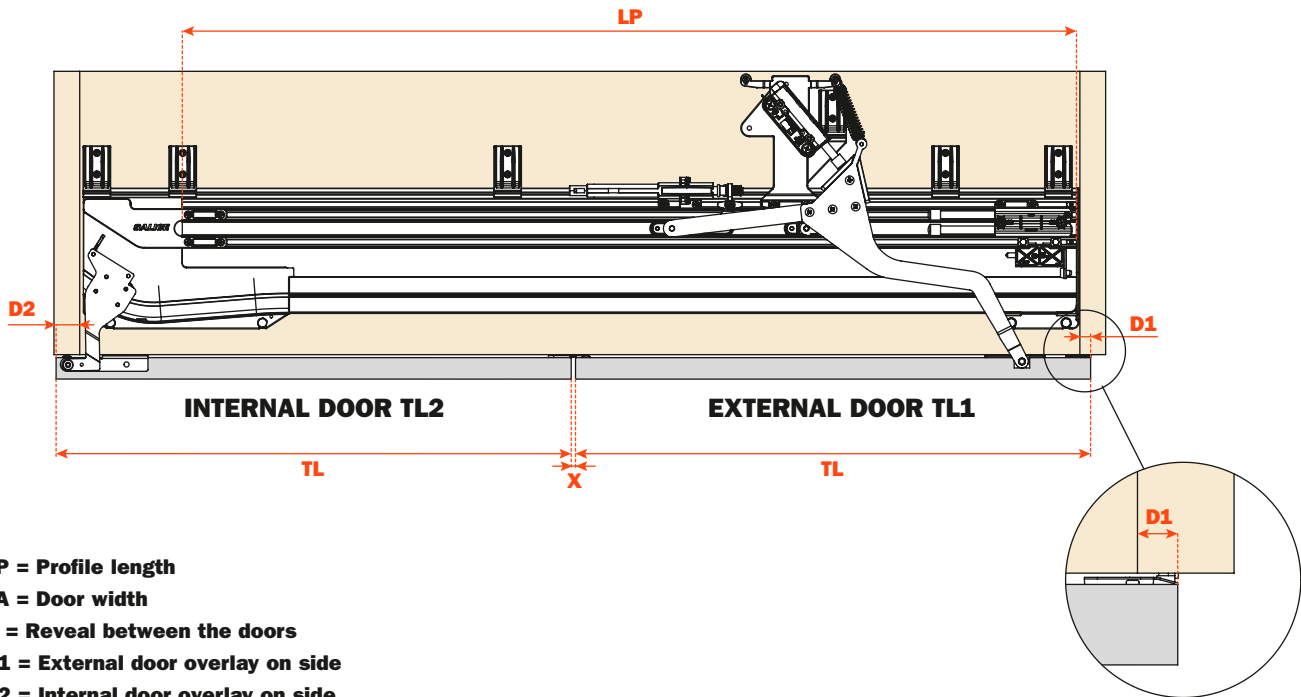
TOP



Formula to determine the length of the profile to be cut

CONECTEA 94° HINGES LP = (2 x TL) + X - D1 - 151.5 mm

SILENTIA+ 94° HINGES LP = (2 x TL) + X - D1 - 138.7 mm



LP = Profile length

LA = Door width

X = Reveal between the doors

D1 = External door overlay on side

D2 = Internal door overlay on side

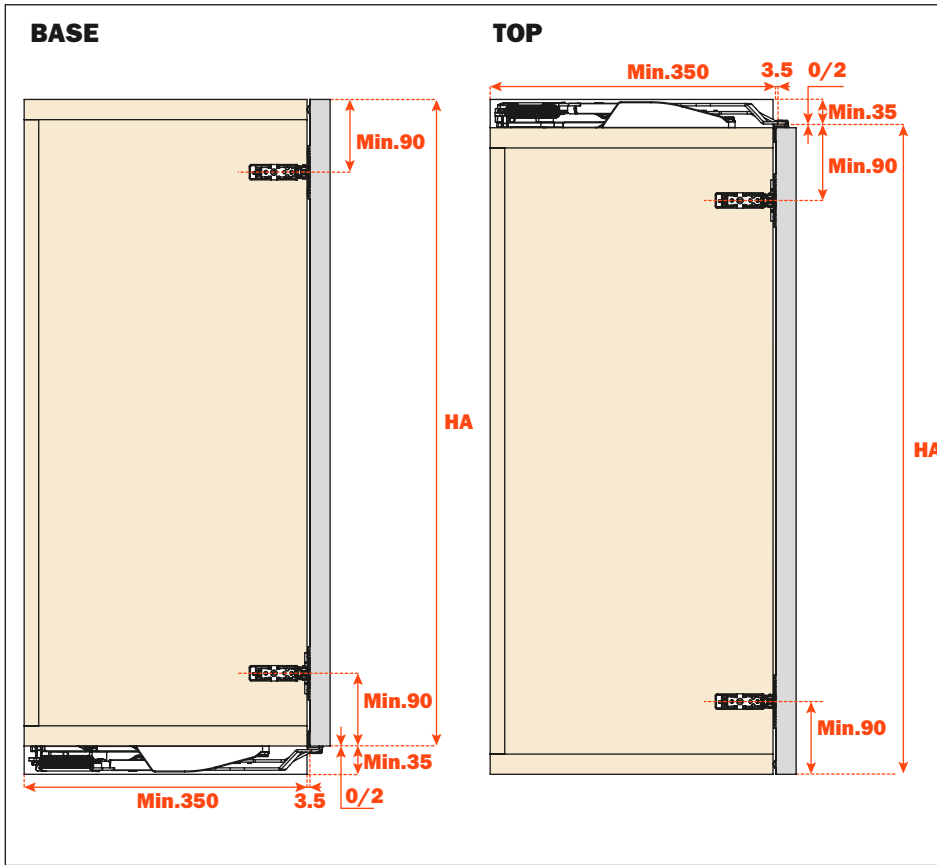
Chart to determine the number of hinges

SILENTIA+ 94° HINGES AND CONECTEA 94° HINGES					
2 x DOOR WIDTH LA (mm)	DOOR HEIGHT HA (mm)	MAX. WEIGHT FOR TWO DOORS (Kg)	NUMBER OF HINGES	MAX. WEIGHT FOR TWO DOORS (Kg)	NUMBER OF HINGES
700 - 1200	600 - 800	10	2		
	801 - 1200	15	3		
	1201 - 1600	20	4	25	5
	1601 - 2000	30	5	35	6
	2001 - 2400	35	5	40	6
	2401 - 2800	40	5	50	6

- Formula to determine the min. door height HA Min. = (4 x TL) / 3 Example: TL = 600 HA Min. = 800

Folder 90 • SILENTIA+ 94° HINGES AND CONECTA 94° HINGES

Space required to accommodate the system and position of the SILENTIA+ 94° HINGES

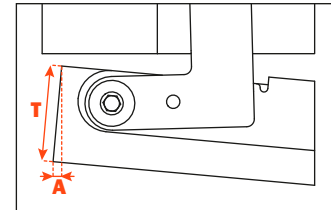


HA = Door height

D1 = Door overlay on side hinged side

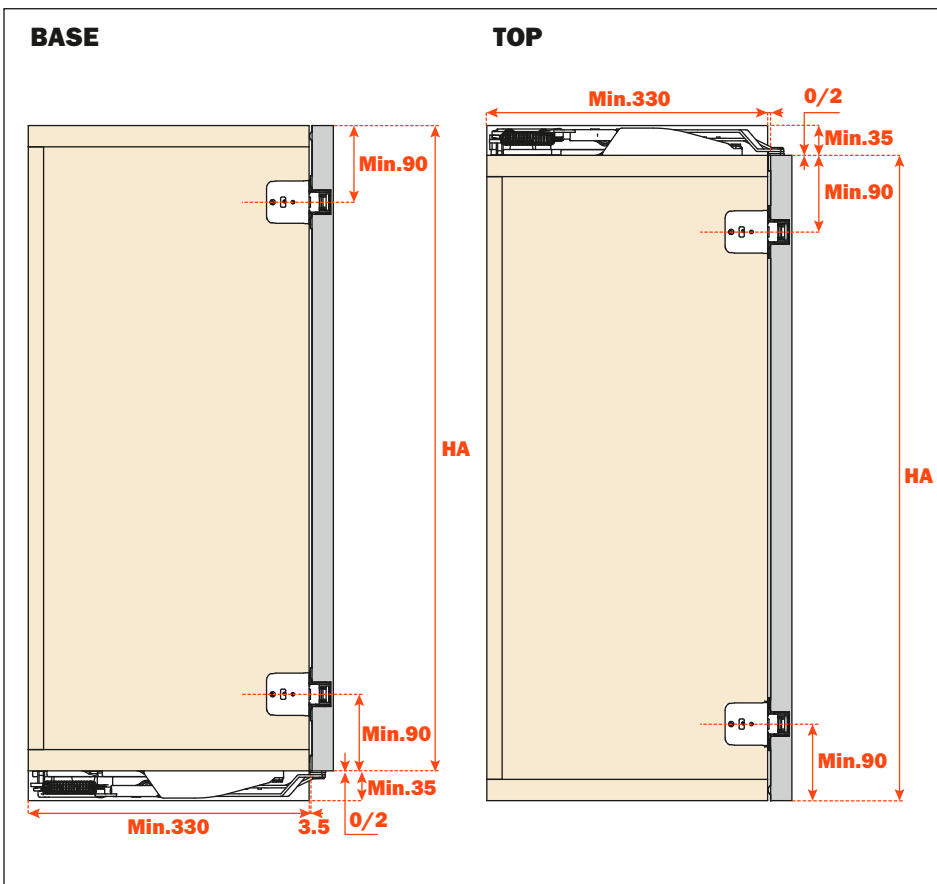
D1 = 18 with arm 0
D1 = 12 with arm 9

Reveal required for the opening of the INTERNAL door TL2 for wooden door



Door thickness T	Space needed to open the door A
19 mm	1.3 mm
25 mm	1.7 mm

Space required to accommodate the system and position of the CONECTA 94° HINGES

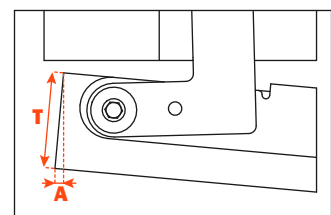


HA = Door height

D1 = Overlay with single application

Workings position	Overlay D1	Side thickness Min.
3.5 mm	12.5 mm	19 mm
4.5 mm	13.5 mm	20 mm
5.5 mm	14.5 mm	21 mm
6.5 mm	15.5 mm	22 mm
7 mm Max.	16 mm	22.5 mm

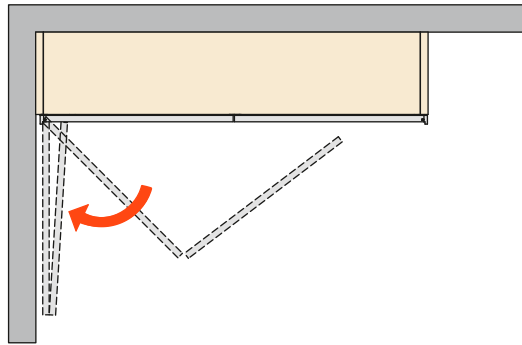
Reveal required for the opening of the INTERNAL door TL2 for wooden door



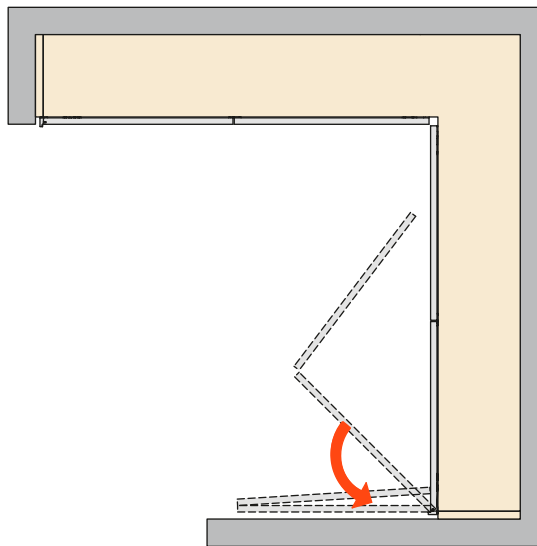
Door thickness T	Space needed to open the door A
25 mm	1.8 mm

Double hinged door • Application examples

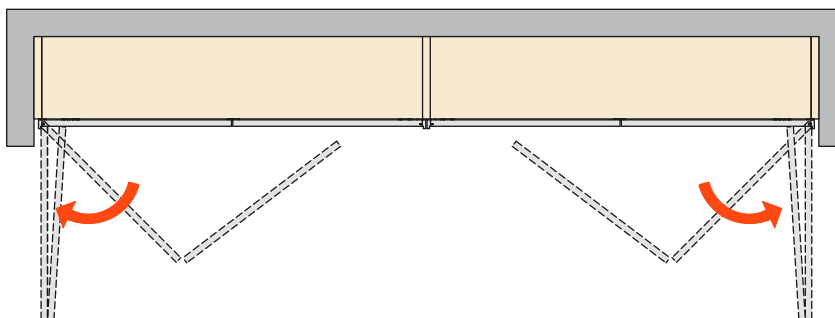
SINGLE CABINET



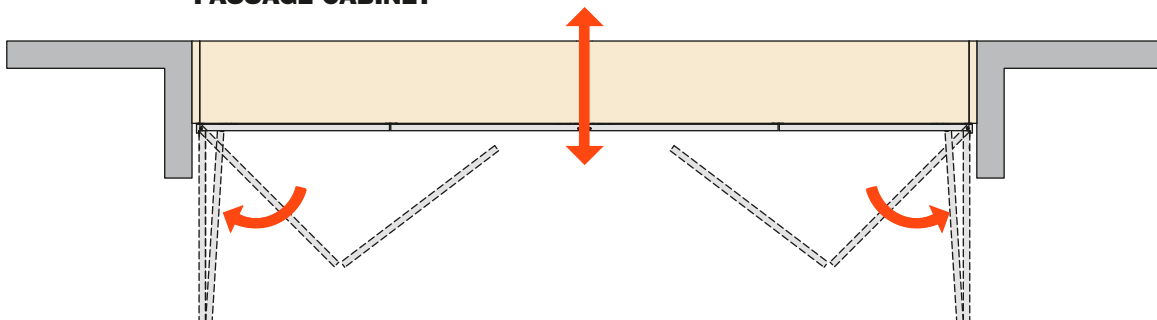
CORNER CABINET



DOUBLE CABINET



PASSAGE CABINET





Folder 180

Folder 180 • Double hinged door • 180° opening

System for concertina doors

- Max opening 180° adjustable up to 170°
- Automatic opening and closing action controlled by silicon oil dampers and by a magnetic damper for a smooth and gently decelerated movement
- Fixing of the doors to the cabinet side with external SERIES M hinges or with recessed CONECTA hinges

BASE version

- The track can be assembled under the bottom panel of the cabinet for column units, wardrobes and base units.
- Adjustment of the opening and closing speed of the doors
- Fully adjustable in three directions

TOP version

- The track can be assembled on the top of the cabinet for column units, wardrobes and wall units.
- Adjustment of the opening and closing speed of the doors
- Fully adjustable in three directions

Technical information

- Thickness of wooden door with SERIES M hinges: from 18 mm to 24 mm
- Thickness of wooden door with CONECTA hinges: from 18 mm to 25 mm
- Thickness of wooden door with profile VE79KITE710_A with CONECTA hinges: from 22 mm to 25 mm
- Width of each single wooden door: from 350 mm to 750 mm
- Width of each single aluminium-framed door: from 350 mm to 600 mm

Door height:

- Min. 600 mm
- Max. 2800 mm

- Formula to determine the min. door height

$HA \text{ Min.} = (4 \times TL) / 3$

Example:

$TL = 600$

$HA \text{ Min.} = 800$

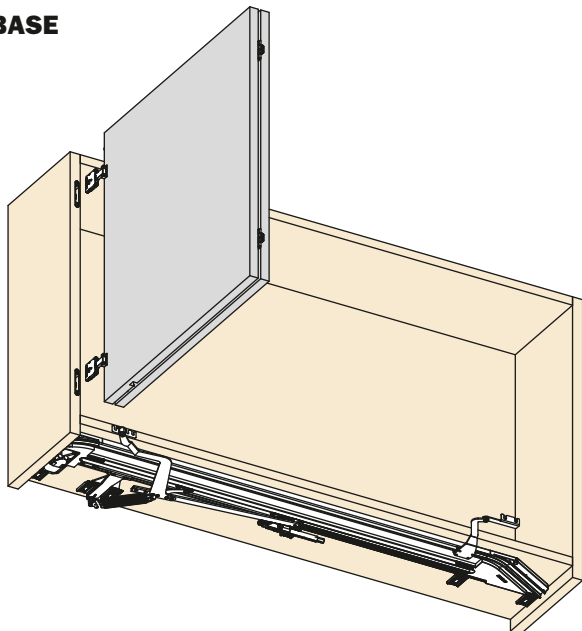
$(4 \times 600) / 3 = 800$

- Cabinet depth ≥ 320 mm
- Side thickness with recessed CONECTA DQG3B hinges ≥ 19 mm
- Side thickness with recessed CONECTA DQG5B hinges ≥ 16 mm
- Side thickness with SERIES M hinges ≥ 16 mm

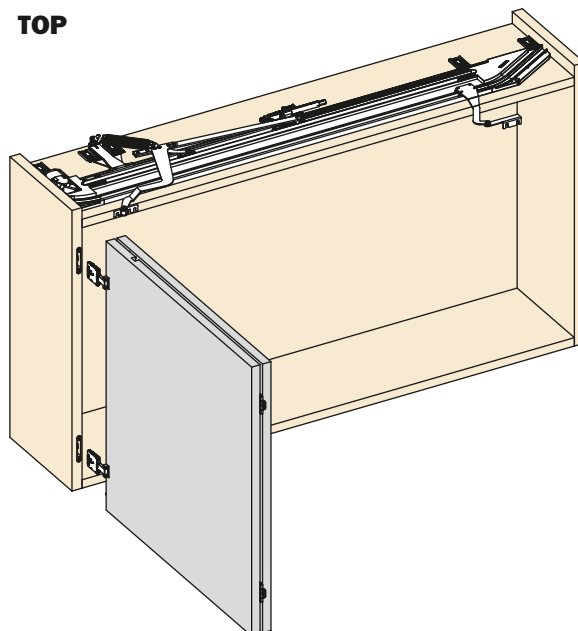
HA = Door height

TL = Door width

BASE



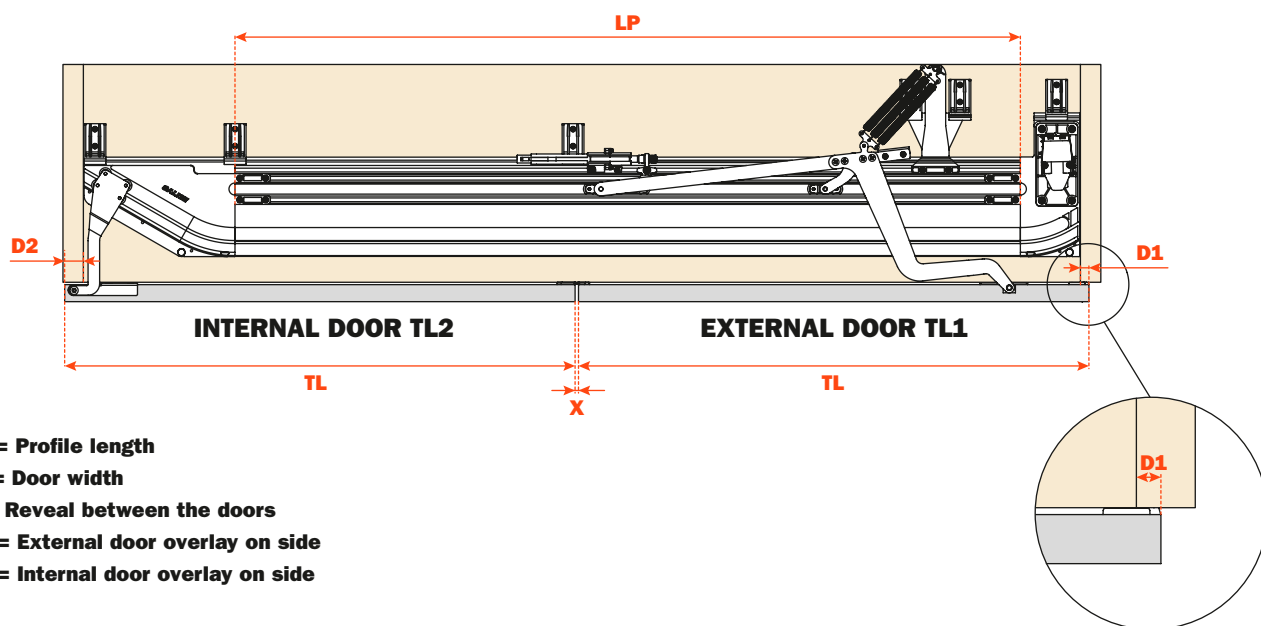
TOP



Folder • Double hinged door

Formula to determine the length of the profile to be cut

$$LP = (2 \times TL) + X - D1 - 338.5 \text{ mm}$$



LP = Profile length

TL = Door width

X = Reveal between the doors

D1 = External door overlay on side

D2 = Internal door overlay on side

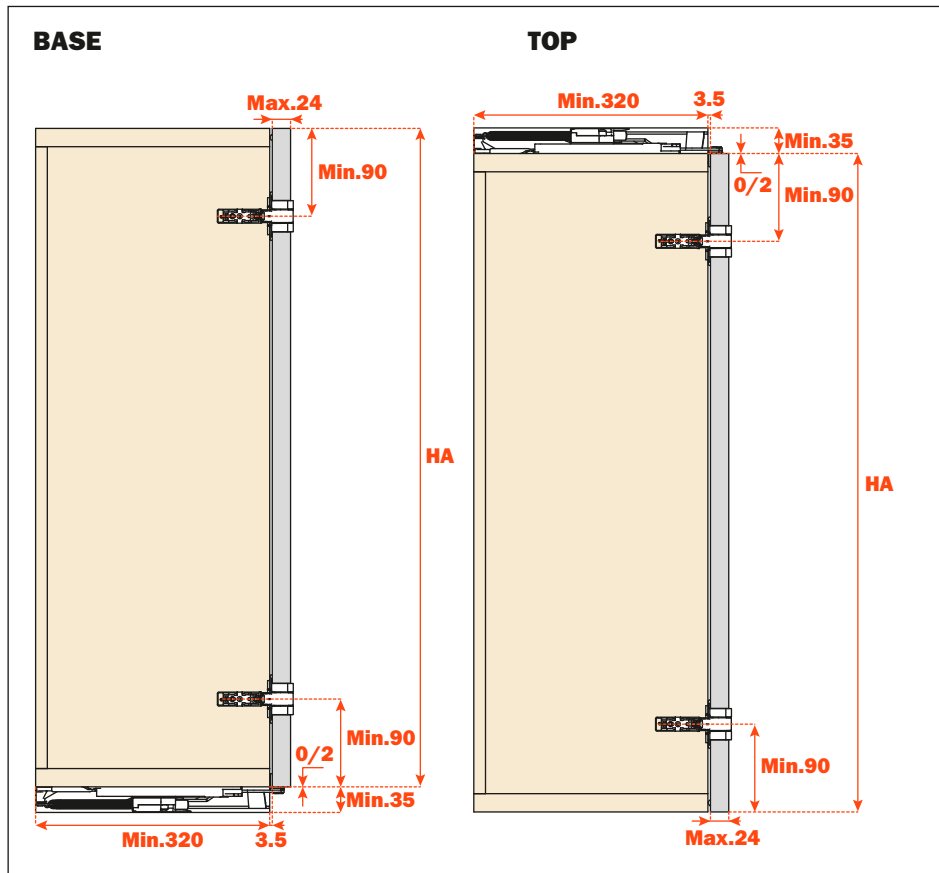
Chart to determine the number of hinges

2 x DOOR WIDTH TL (mm)	DOOR HEIGHT HA (mm)	MAX. WEIGHT FOR TWO DOORS (Kg)	NUMBER OF HINGES	SET FOR LIGHT DOORS VE79KITX0351B
KIT 1 = 700 - 1000 With wooden doors and with aluminium-framed doors with frame VE79KITE700_A	600 - 800	10	2	YES
	801 - 1200	16	3	YES
	1201 - 1600	24	4	YES
	1601 - 2000	30	4	NO
		40	5	NO
	2001 - 2400	35	4	NO
		45	5	NO
	2401 - 2800	40	4	NO
50		5	NO	

2 x DOOR WIDTH TL (mm)	DOOR HEIGHT HA (mm)	MAX. WEIGHT FOR TWO DOORS (Kg)	NUMBER OF HINGES	SET FOR LIGHT DOORS VE79KITX0352B
KIT 2 = 1001 - 1500 With wooden doors	700 - 800	10	2	YES
	801 - 1200	16	3	YES
	1201 - 1600	24	4	YES
KIT 2 = 1001 - 1200 With aluminium-framed doors with frame VE79KITE700_A	1601 - 2000	30	5	NO
		40	6	NO
	2001 - 2400	35	5	NO
		45	6	NO
	2401 - 2800	40	5	NO
50		6	NO	

Folder • SERIES M HINGES AND CONECTA HINGES

Space required to accommodate the system and position of the SERIES M HINGES

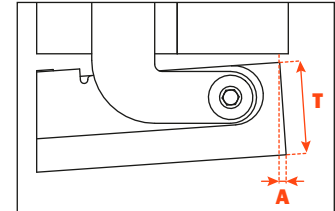


HA = Door height

D1 = door overlay on side hinged side

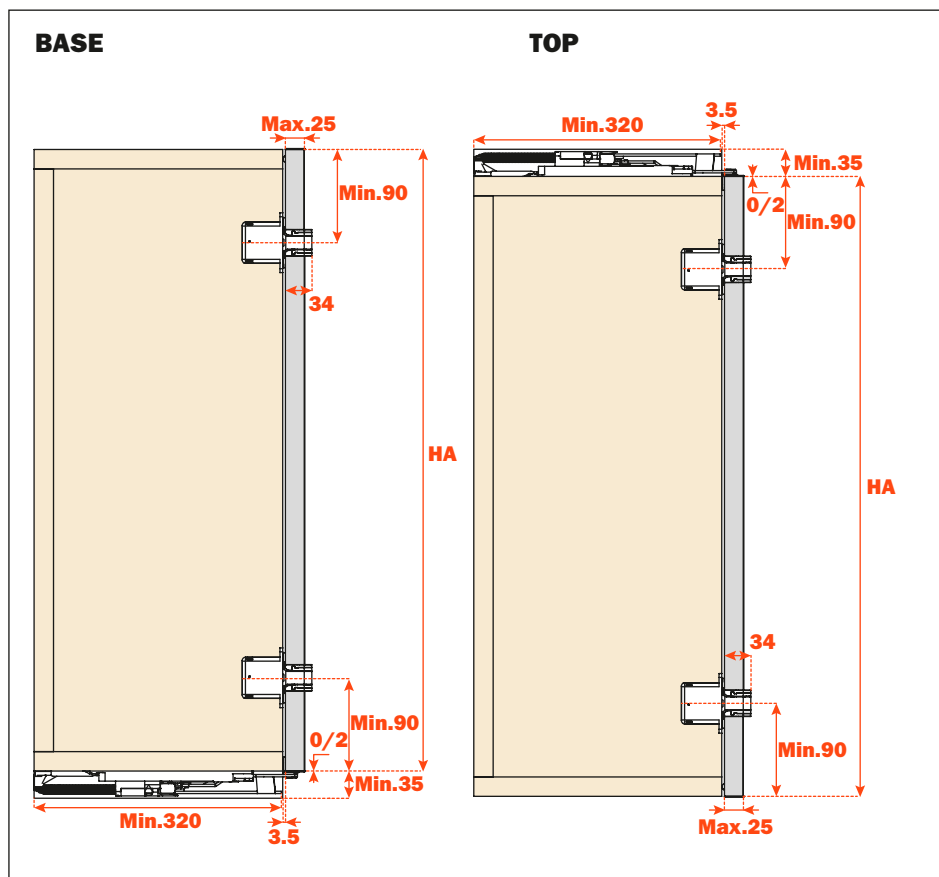
D1 = 18
with mounting plate H = 0
D1 = 12
with mounting plate H = 6

Reveal required for the opening of the INTERNAL door TL2 for wooden door



Door thickness T	Space needed to open the door A
18 mm	1.7 mm
24 mm	2.3 mm

Space required to accommodate the system and position of the CONECTA HINGES

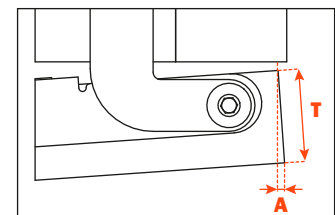


HA = Door height

D1 = Overlay with single application

Workings position	Overlay D1	Side thickness Min.
3.5 mm	12.5 mm	19 mm
4.5 mm	13.5 mm	20 mm
5.5 mm	14.5 mm	21 mm
6.5 mm	15.5 mm	22 mm
7 mm Max.	16 mm	22.5 mm

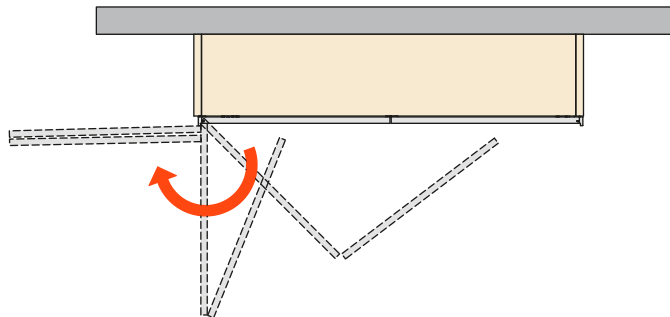
Reveal required for the opening of the INTERNAL door TL2 for wooden door



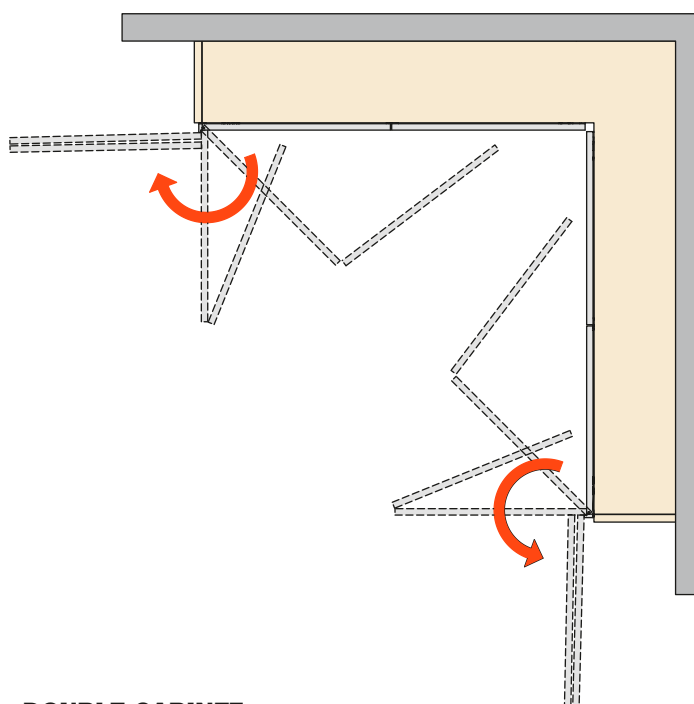
Door thickness T	Space needed to open the door A
18 mm	2.1 mm
25 mm	2.7 mm

Double hinged door • Application examples

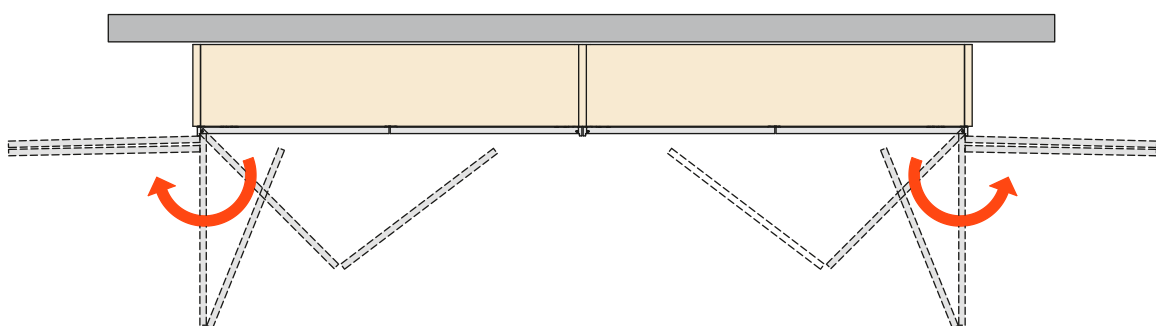
SINGLE CABINET



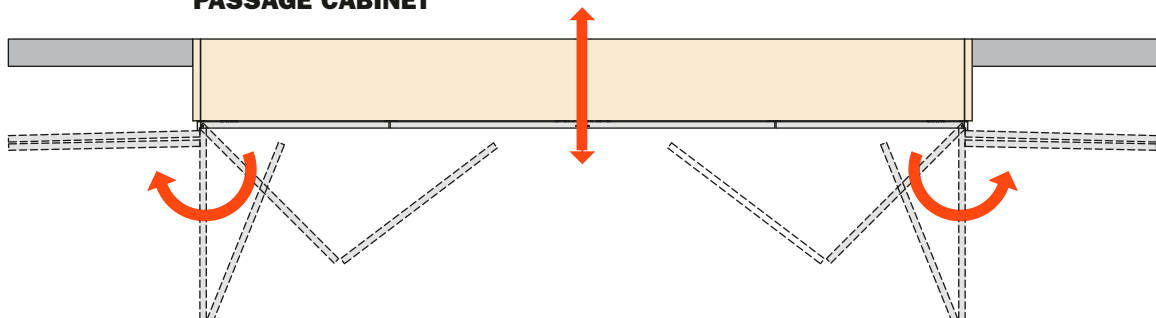
CORNER CABINET



DOUBLE CABINET

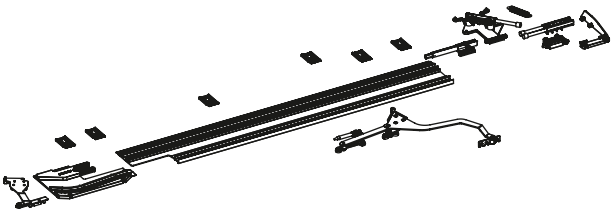
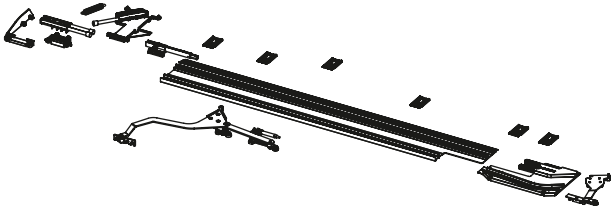
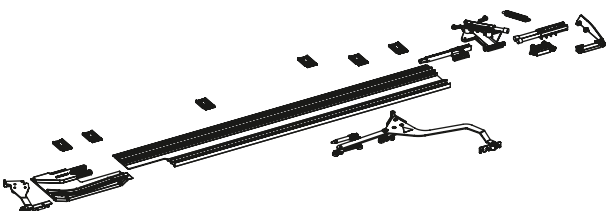
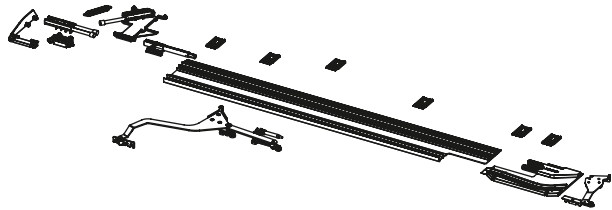


PASSAGE CABINET



Part numbers and packing

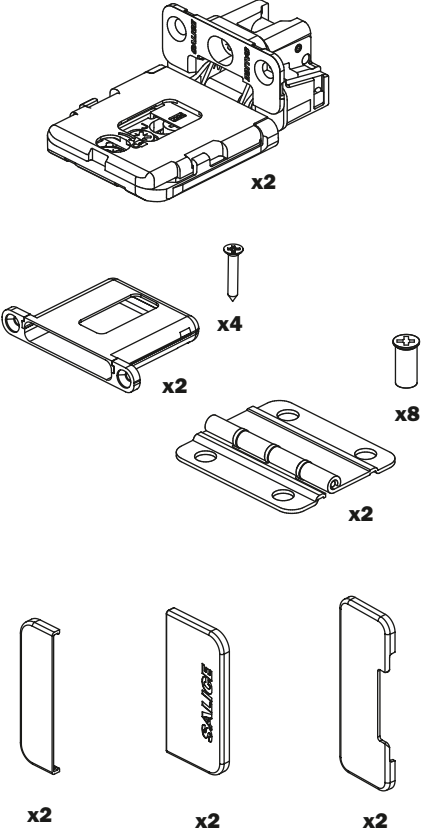
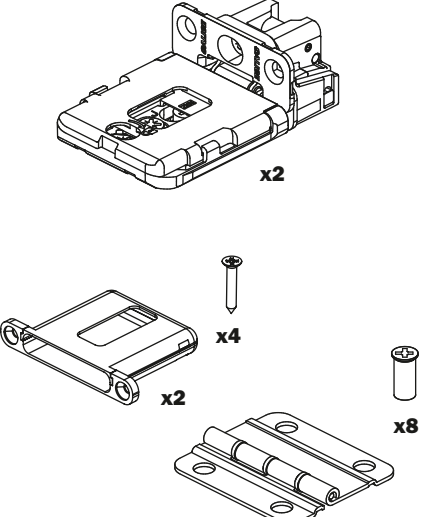
Folder 90 - Part numbers and packing

	Part number	Description	Quantity per box	Weight (Kg)	Dimensions (cm)
	VE79KITC110BA	FOLDER CONECTA 94° (350-600) RIGHT TOP / LEFT BASE	1	3.6	1120 x 180 x 90
	VE79KITC120BA	FOLDER CONECTA 94° (350-600) LEFT TOP / RIGHT BASE	1	3.6	1120 x 180 x 90
	VE79KITC130BA	FOLDER SILENTIA+ 94° (350-600) RIGHT TOP / LEFT BASE	1	3.6	1120 x 180 x 90
	VE79KITC140BA	FOLDER SILENTIA+ 94° (350-600) LEFT TOP / RIGHT BASE	1	3.6	1120 x 180 x 90

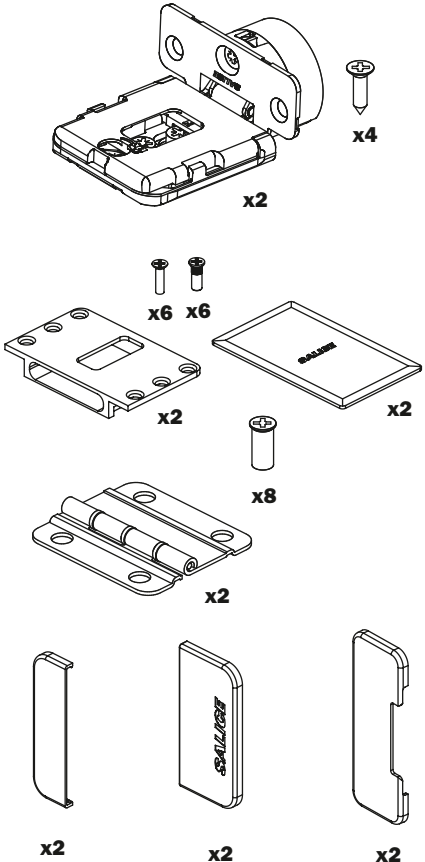
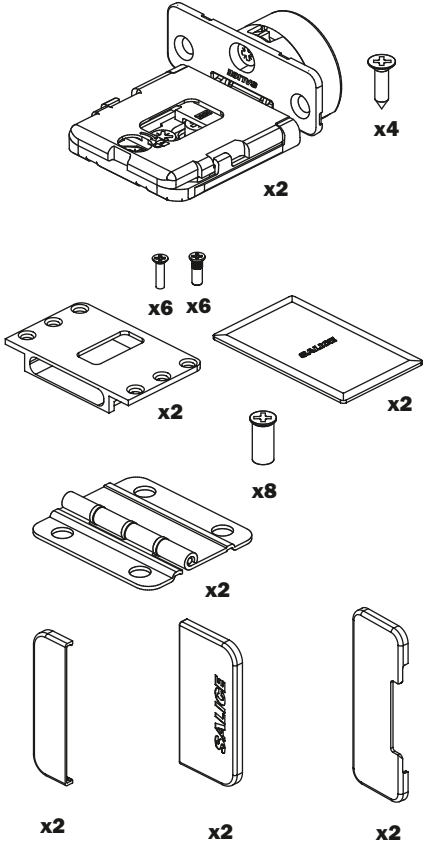
	Part number	Description	Quantity per box	Weight (Kg)	Dimensions (cm)
<p>NICKEL-PLATED TITANIUM</p>	VE79KITE800SA	KIT TWO ALUMINIUM-FRAMED DOORS ANODISED SILVER	1	15	3300 x 130 x 90
	VE79KITE800TA	KIT TWO ALUMINIUM-FRAMED DOORS METAL GREY BROWN	1	15	3300 x 130 x 90

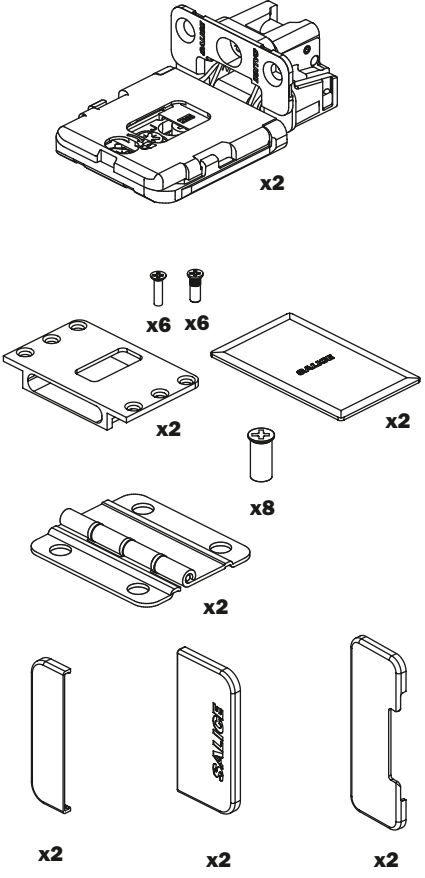
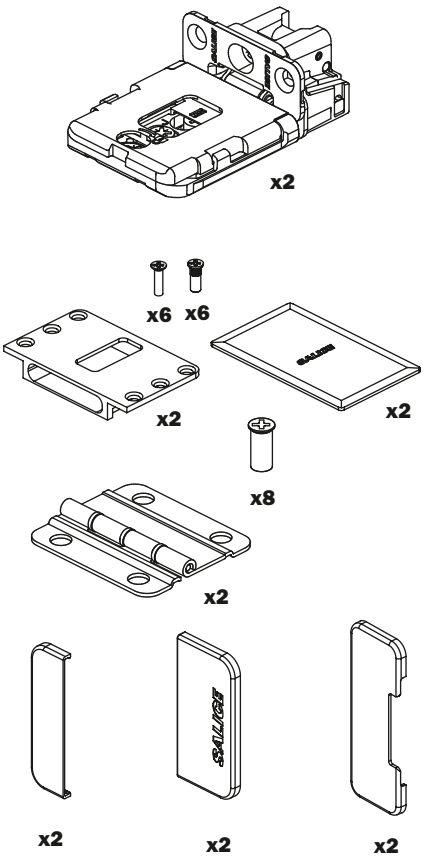
Folder 90 - Part numbers and packing

	Part number	Description	Quantity per box	Weight (Kg)	Dimensions (cm)
	VE79KITX700NB	KIT SIDE HINGES CONECTA 94° WOODEN DOORS Overlay 10/12.5 RECESSED HOLDER NICKEL-PLATED	12	0.65	37 x 37 x 16
	VE79KITX700TB	KIT SIDE HINGES CONECTA 94° WOODEN DOORS Overlay 10/12.5 RECESSED HOLDER TITANIUM	12	0.65	37 x 37 x 16
	VE79KITX702NB	KIT SIDE HINGES CONECTA 94° WOODEN DOORS Overlay 14/16.5 RECESSED HOLDER NICKEL-PLATED	12	0.7	37 x 37 x 16
	VE79KITX702TB	KIT SIDE HINGES CONECTA 94° WOODEN DOORS Overlay 14/16.5 RECESSED HOLDER TITANIUM	12	0.7	37 x 37 x 16

	Part number	Description	Quantity per box	Weight (Kg)	Dimensions (cm)
	VE79KITX704NB	KIT SIDE HINGES CONECTA 94° ALUMINIUM-FRAMED DOORS Overlay 10/12.5 RECESSED HOLDER NICKEL-PLATED	12	0.65	37 x 37 x 16
	VE79KITX704TB	KIT SIDE HINGES CONECTA 94° ALUMINIUM-FRAMED DOORS Overlay 10/12.5 RECESSED HOLDER TITANIUM	12	0.65	37 x 37 x 16
	VE79KITX706NB	KIT SIDE HINGES CONECTA 94° ALUMINIUM-FRAMED DOORS Overlay 14/16.5 RECESSED HOLDER NICKEL-PLATED	12	0.7	37 x 37 x 16
	VE79KITX706TB	KIT SIDE HINGES CONECTA 94° ALUMINIUM-FRAMED DOORS Overlay 14/16.5 RECESSED HOLDER TITANIUM	12	0.7	37 x 37 x 16

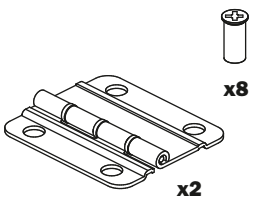
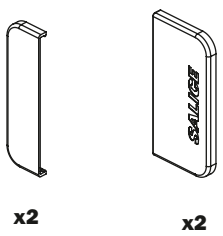
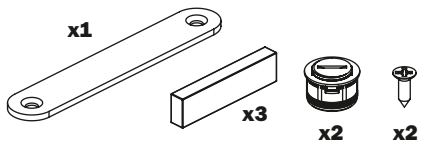
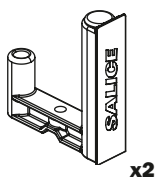
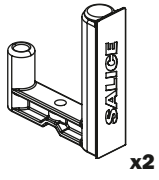
Folder 90 - Part numbers and packing

	Part number	Description	Quantity per box	Weight (Kg)	Dimensions (cm)
	VE79KITX708NB	KIT SIDE HINGES CONECTA 94° WOODEN DOORS Overlay 10/12.5 EXTERNAL HOLDER NICKEL-PLATED	12	0.65	37 x 37 x 16
	VE79KITX708TB	KIT SIDE HINGES CONECTA 94° WOODEN DOORS Overlay 10/12.5 EXTERNAL HOLDER TITANIUM	12	0.65	37 x 37 x 16
	VE79KITX710NB	KIT SIDE HINGES CONECTA 94° WOODEN DOORS Overlay 14/16.5 EXTERNAL HOLDER NICKEL-PLATED	12	0.7	37 x 37 x 16
	VE79KITX710TB	KIT SIDE HINGES CONECTA 94° WOODEN DOORS Overlay 14/16.5 EXTERNAL HOLDER TITANIUM	12	0.7	37 x 37 x 16

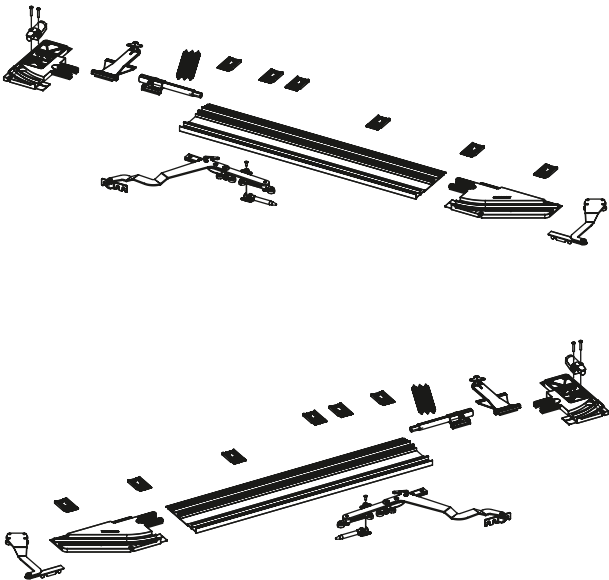
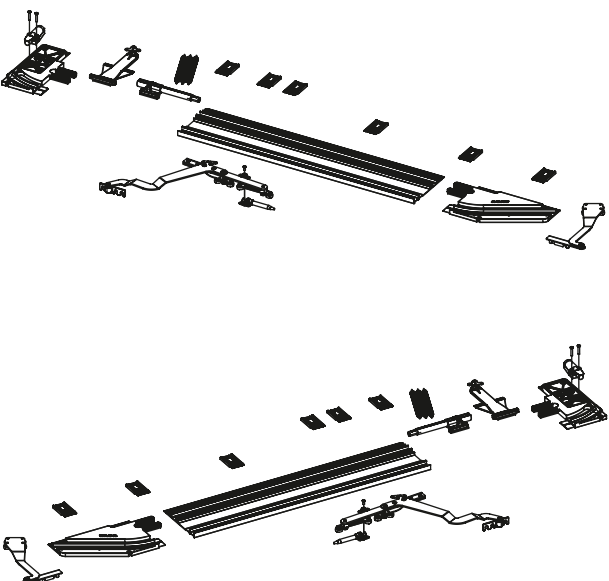
	Part number	Description	Quantity per box	Weight (Kg)	Dimensions (cm)
	VE79KITX712NB	KIT SIDE HINGES CONECTA 94° WOODEN DOORS Overlay 10/12.5 EXTERNAL HOLDER NICKEL-PLATED	12	0.65	37 x 37 x 16
	VE79KITX712TB	KIT SIDE HINGES CONECTA 94° WOODEN DOORS Overlay 10/12.5 EXTERNAL HOLDER TITANIUM	12	0.65	37 x 37 x 16
	VE79KITX714NB	KIT SIDE HINGES CONECTA 94° WOODEN DOORS Overlay 14/16.5 EXTERNAL HOLDER NICKEL-PLATED	12	0.7	37 x 37 x 16
	VE79KITX714TB	KIT SIDE HINGES CONECTA 94° WOODEN DOORS Overlay 14/16.5 EXTERNAL HOLDER TITANIUM	12	0.7	37 x 37 x 16

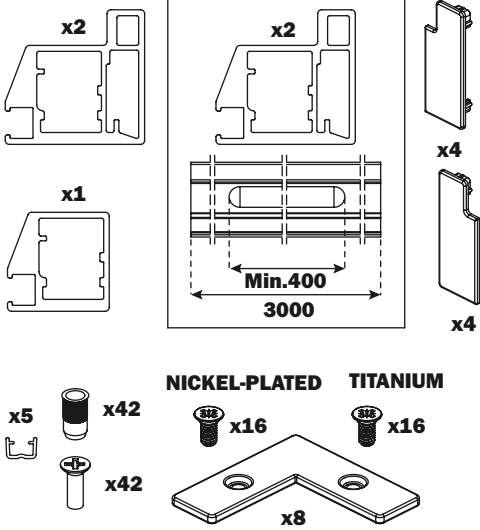
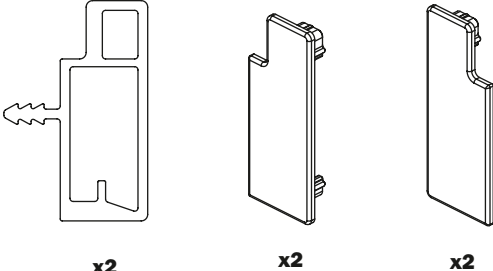
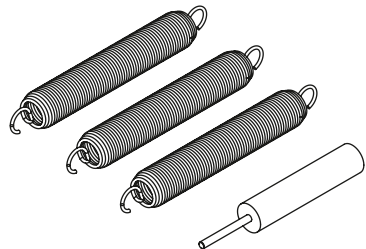
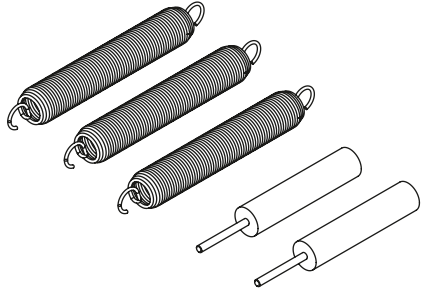
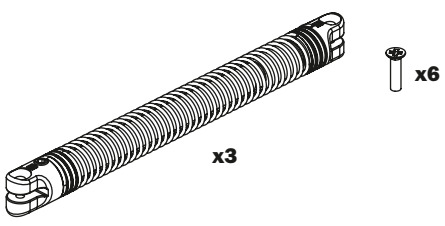
Folder 90 - Part numbers and packing

	Part number	Description	Quantity per box	Weight (Kg)	Dimensions (cm)
	VE79KITX716NB	KIT SIDE HINGES SILENTIA+ 94° ARM 0 NICKEL-PLATED	12	0.65	37 x 37 x 16
	VE79KITX716TB	KIT SIDE HINGES SILENTIA+ 94° ARM 0 TITANIUM	12	0.65	37 x 37 x 16
	VE79KITX718NB	KIT SIDE HINGES SILENTIA+ 94° ARM 0 NICKEL-PLATED	12	0.7	37 x 37 x 16
	VE79KITX718TB	KIT SIDE HINGES SILENTIA+ 94° ARM 0 TITANIUM	12	0.7	37 x 37 x 16

	Part number	Description	Quantity per box	Weight (Kg)	Dimensions (cm)
 	VE79KITX651NA	KIT CENTRAL HINGES NICKEL-PLATED	12	0.4	37 x 37 x 16
	VE79KITX651TA	KIT CENTRAL HINGES TITANIUM	12	0.4	37 x 37 x 16
	VE79KITB1000A	4 th CORNER KIT FOR FOLDER BASE VERSION (1/1)	1	4.9	8.5 x 6 x 6
	VE56KIT0003N	KIT 2 MAGNETS Nickel-plated alignment for doors recommended for Folder used as a partitioning system between two rooms	1	0.18	8.5 x 6 x 6
	VE56KIT0003T	KIT 2 MAGNETS Titanium alignment for doors recommended for Folder used as a partitioning system between two rooms	1	0.18	8.5 x 6 x 6

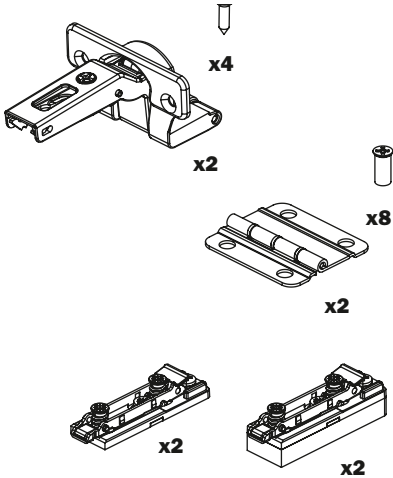
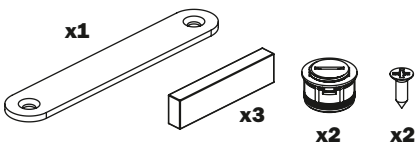
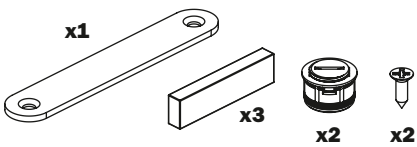
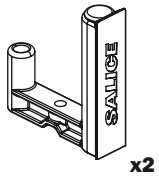
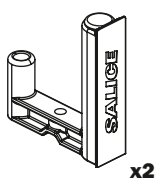
Folder 180 - Part numbers and packing

	Part number	Description	Quantity per box	Weight (Kg)	Dimensions (cm)
	VE79KITA010AA	FOLDER TOP KIT 1 (350-500) RIGHT	1	3.6	760 x 180 x 90
	VE79KITA020AA	FOLDER TOP KIT 1 (350-500) LEFT	1	3.6	760 x 180 x 90
	VE79KITA030AA	FOLDER TOP KIT 2 (501-750) RIGHT	1	4.9	1250 x 180 x 90
	VE79KITA040AA	FOLDER TOP KIT 2 (501-750) LEFT	1	4.9	1250 x 180 x 90
	VE79KITB050AA	FOLDER BASE KIT 1 (350-500) RIGHT	1	3.6	760 x 180 x 90
	VE79KITB060AA	FOLDER BASE KIT 1 (350-500) LEFT	1	3.6	760 x 180 x 90
	VE79KITB070AA	FOLDER BASE KIT 2 (501-750) RIGHT	1	4.9	1250 x 180 x 90
	VE79KITB080AA	FOLDER BASE KIT 2 (501-750) LEFT	1	4.9	1250 x 180 x 90

	Part number	Description	Quantity per box	Weight (Kg)	Dimensions (cm)
	VE79KITE700SA	KIT TWO ALUMINIUM-FRAMED DOORS ANODISED SILVER	1	14	330 x 130 x 90
	VE79KITE700TA	KIT TWO ALUMINIUM-FRAMED DOORS METAL GREY BROWN	1	14	330 x 130 x 90
<p>Profile length = 3000 mm</p> 	VE79KITE710SA	KIT WOODEN DOORS PROFILES ANODISED SILVER	1	3.8	310 x 6 x 6
	VE79KITE710TA	KIT WOODEN DOORS PROFILES METAL GREY BROWN	1	3.8	310 x 6 x 6
	VE79KITX0351B	SET FOR LIGHT DOORS FOR KIT 1	12	0.09	31 x 22 x 11.5
	VE79KITX0352B	SET FOR LIGHT DOORS FOR KIT 2	12	0.09	31 x 22 x 11.5
	VE79KITX5000A	OPTIONAL KIT SOFT CLOSE Recommended for Folder used as a partitioning system between two rooms or for corner wardrobes	1	0.169	17.6 x 11.7 x 6.5

Folder 180 - Part numbers and packing

	Part number	Description	Quantity per box	Weight (Kg)	Dimensions (cm)
	VE79KITX600NB	KIT SIDE HINGES CONECTA 180° RECESSED HOLDER NICKEL-PLATED	12	0.65	37 x 37 x 16
	VE79KITX600TB	KIT SIDE HINGES CONECTA 180° RECESSED HOLDER TITANIUM	12	0.65	37 x 37 x 16
	VE79KITX610NB	KIT SIDE HINGES CONECTA 180° EXTERNAL HOLDER NICKEL-PLATED	12	0.7	37 x 37 x 16
	VE79KITX610TB	KIT SIDE HINGES CONECTA 180° EXTERNAL HOLDER TITANIUM	12	0.7	37 x 37 x 16

	Part number	Description	Quantity per box	Weight (Kg)	Dimensions (cm)
	VE79KITX620NB	KIT SIDE HINGES SERIE M 270° MOUNTING PLATES H0 AND H6 NICKEL-PLATED	12	0.4	37 x 37 x 16
	VE79KITX620TB	KIT SIDE HINGES SERIE M 270° MOUNTING PLATES H0 AND H6 TITANIUM	12	0.4	37 x 37 x 16
	VE79KITB1000A	4 th CORNER KIT FOR FOLDER BASE VERSION (1/1)	1	4.9	90 x 70 x 70
	VE56KIT0003N	KIT 2 MAGNETS Nickel-plated alignment for doors recommended for Folder used as a partitioning system between two rooms	1	0.18	90 x 70 x 70
	VE56KIT0003T	KIT 2 MAGNETS Titanium alignment for doors recommended for Folder used as a partitioning system between two rooms	1	0.18	90 x 70 x 70

HEADQUARTERS AND PRODUCTION UNITS

ARTURO SALICE S.p.A.

HEAD OFFICE

VIA PROVINCIALE NOVEDRATESE, 10
22060 NOVEDRATE (COMO) ITALIA
TEL. 031 790424 - FAX 031 791508
info.salice@salice.com
www.salice.com

ARTURO SALICE S.p.A.

VIA ARISTIDE MERLONI, 11
61036 COLLI AL METAURO (PU) ITALIA
TEL. 0721 899800
FAX 0721 897980
info.salice@salice.com
www.salice.com

BORTOLUZZI SISTEMI S.p.A.

VIA CADUTI 14 SETTEMBRE 1944, 45
32100 BELLUNO (BL) ITALIA
TEL. 0437 930866
FAX 0437 931442
info@bortoluzzi.com
www.bortoluzzi.com

NUOVA ATIM S.r.l.

VIA IV NOVEMBRE, 52
20019 SETTIMO MILANESE (MI) ITALIA
TEL. 02 33503203
FAX 02 33516514
info@atimspa.com
www.atimspa.com

BRANCHES

DEUTSCHE SALICE GMBH

RUDOLF DIESEL STR. 10
74382 NECKARWESTHEIM
TEL. 07133 9807-0
FAX. 07133 9807-16
info.salice@deutschesalice.de
www.salice.com

DEUTSCHE SALICE GMBH

VERKAUFSBÜRO NORD
RINGSTRASSE 36/A30 CENTER
32584 LÖHNE
TEL. 05731 15608-0
FAX. 05731 15608-10
vknord@deutschesalice.de
www.salice.com

SALICE UK LTD.

KINGFISHER WAY
HINCHINGBROOKE BUSINESS PARK
HUNTINGDON CAMBS PE 29 6FN
TEL. 01480 413831
FAX. 01480 451489
info.salice@saliceuk.co.uk
www.salice.com

SALICE FRANCE S.A.R.L.

285 RUE DE GOA ZAC LES 3 MOULINS
06600 ANTIBES
TEL. 0493 330069
FAX. 0493 330141
info.salice@salicefrance.com
www.salice.com

SALICE ESPAÑA, S.L.U.

C/ AIGUAFREDA 4, P.I. AMETLLA PARK
08480 L'AMETLLA DEL VALLÈS (BARCELONA)
TEL. 0034 938 46 88 61
info.salice@saliceespana.es
www.salice.com

SALICE PORTUGAL UNIP. LDA

SHOWROOM:
TV SÁ E MELO 161 FA
4470-116 MAIA - PORTO
TEL: 00351 224 154 221
Info@saliceportugal.pt
www.salice.com

ARMAZÉM:
VIA ROTA DOS MÓVEIS I 399
4585-325 GANDRA

SALICE CHINA (SHANGHAI) CO. LTD.

RM 602, 6/F, TOWER 1,
3688 YINGGANG DONG ROAD
QINGPU DISTRICT
201703 SHANGHAI, CHINA
TEL. 021 3988-9880
info.salice@salicechina.com
www.salicechina.com

SALICE INDIA PVT. LTD.

1001 & 1002, 10TH FLOOR,
CENTRUM, PLOT NO. C-3,
OPP. WAGLE PRABHAG SAMITI OFFICE,
MIDC AREA, WAGLE INDUSTRIAL ESTATE,
THANE - 400604, MAHARASHTRA
TEL. 022 20812050
info@saliceindia.com
www.salice.com

SALICE CANADA INC.

3500 RIDGEWAY DRIVE,
UNIT#1
MISSISSAUGA, ONTARIO, L5L 0B4
TEL. 905 820 8787
FAX. 905 820 7226
info.salice@salicecanada.com
www.salicecanada.com

SALICE AMERICA INC.

2123 CROWN CENTRE DRIVE
CHARLOTTE NC. 28227
TEL. 704 841 7810
FAX. 704 841 7808
info.salice@saliceamerica.com
www.saliceamerica.com

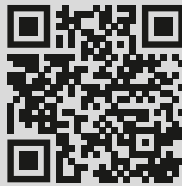


ARTURO SALICE S.p.A.

HEAD OFFICE

VIA PROVINCIALE NOVEDRATESE, 10
22060 NOVEDRATE (COMO) ITALIA
TEL. 031 790424 - FAX 031 791508

info.salice@salice.com
www.salice.com



Digital contents



DOCASS024ENG Ed. 01 - 02/2025