



**Exedra • Exedra2
Pocket Door Systems**

SALICE



Exedra

Assembly instructions
and order form



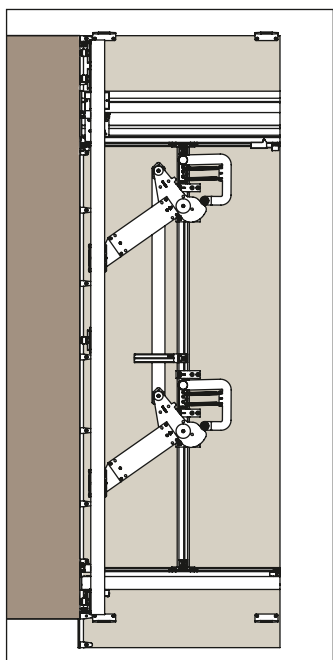
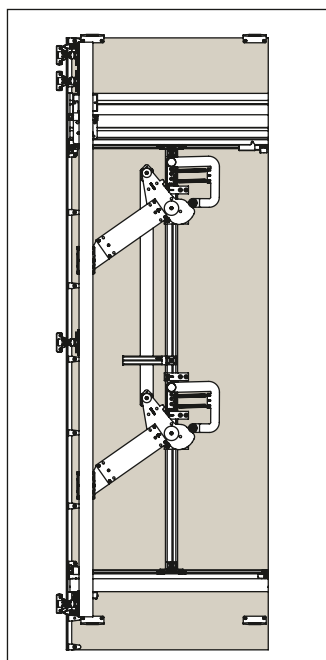
Exedra



**** special application for door height between 1303 mm (51 - 5/16") - 1575 mm (62") with a maximum utilized cabinet depth (LPU) of 400 mm(15 - 3/4").**



Mechanism movement as the door leaves the recess.



Exedra allows smooth lateral assisted positive opening and cushioned soft-close movements, which are controlled by a safety device.

Exedra gives a smooth, uniform and noiseless movement, regardless of the speed of door insertion.

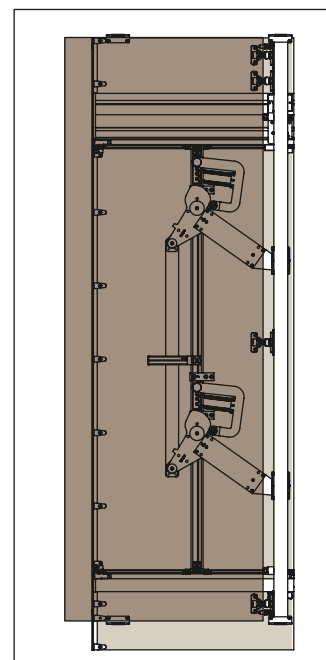
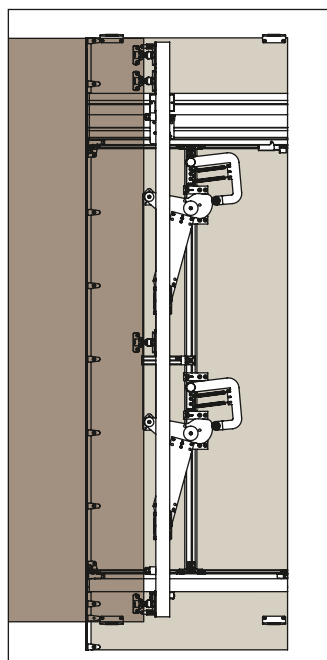
Product overview

Mechanism elements

- Aluminum profiles: 6060T5 alloy, silver anodized
- Components made of plastic, steel and zinc alloy

Tech features:

- Maximum weight for each door : up to 88 lbs (40 Kg) (with 5 hinges allowed and only with a 700 mm max door width).
- Thickness:
 - minimum 19 mm (3/4")
 - maximum 30 mm (1 - 3/16")
- Width:
 - minimum 370 mm (14 - 9/16")
 - maximum 900 mm (35 - 7/16")
- Height:**
 - minimum 1303 mm (51 - 5/16")
 - minimum 1359 mm (53 - 1/2") with roller kit
 - maximum 2800 mm (110 - 1/4")
- Door height adjustment + 4 / -1 mm
- Door side adjustment ± 2 mm
- Door front adjustment ± 4 mm
- Assisted door extraction movement
- Soft closing buffer with a linear magnetic damper
- Material:
 - a) wood or derivatives
 - b) metal and glass frame
- Standard projection of the door in open position: 107 mm (4 - 3/16") when allowed
- Recommended space below the door: 5 mm (3/16")



1 Cam-assisted door insertion and extraction movement.

2 Magnetic buffer for soft insertion.

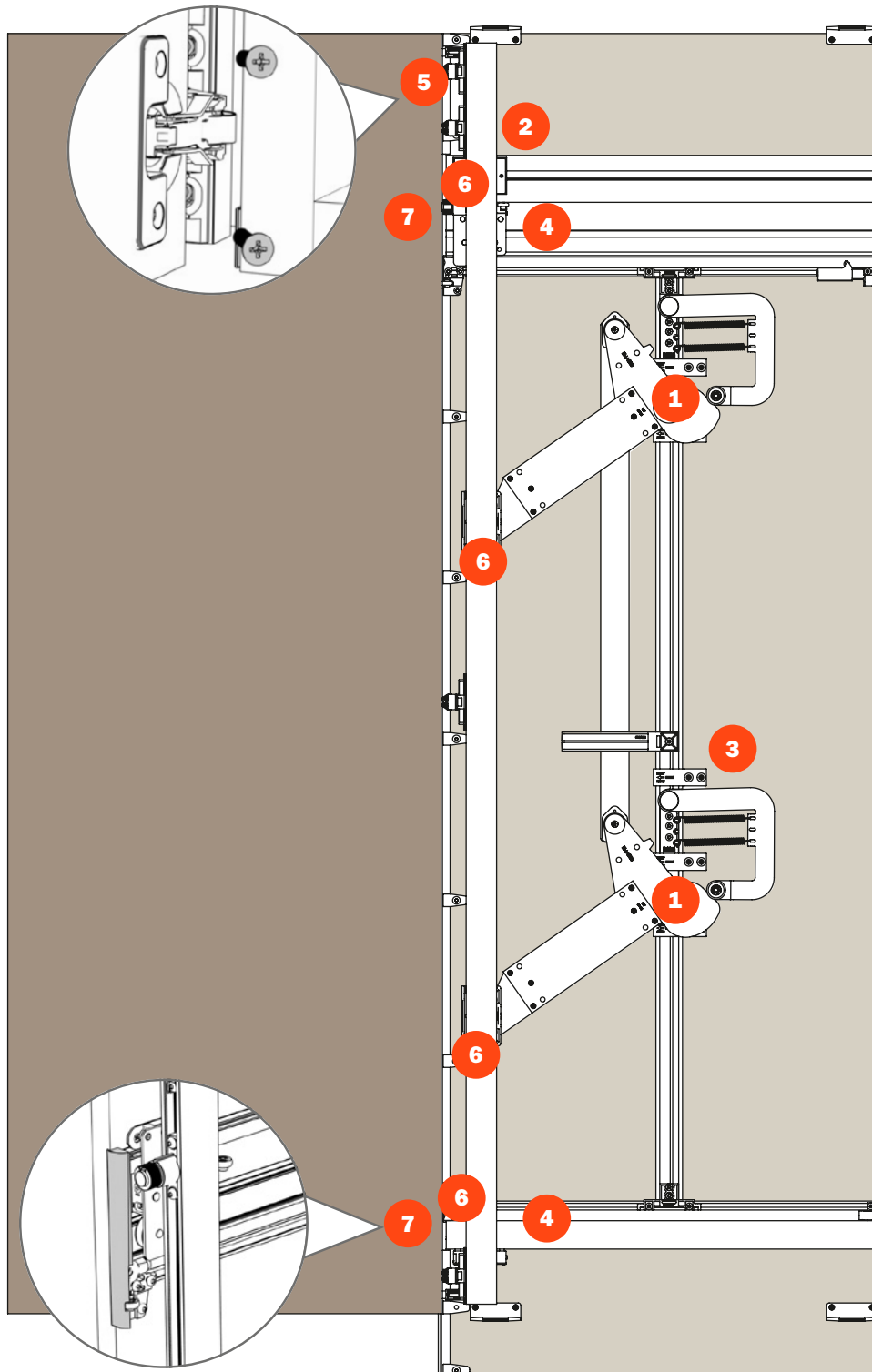
3 Slide-in installation to facilitate installation and removal of the mechanism from the front.

4 Sliding carriage.

5 Quick coupling hinges.

6 All adjustments are accessible from the front of the cabinet.

7 Profile cover caps (included in the standard versions).



Exedra - Calculation for door protrusion from cabinet front

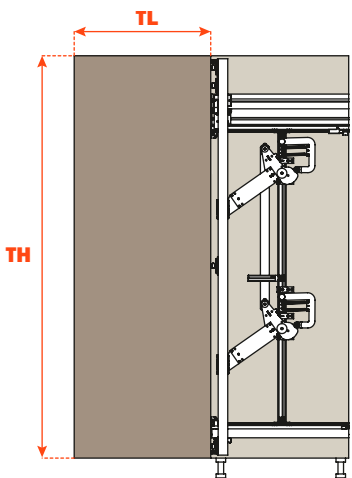
Abbreviations

LPS Total external depth of the cabinet
LPU Usable external depth of the cabinet

TL Door width
TH Door height

CP Profile length
Y Door protrusion (projection from cabinet edge)

LPS < TL

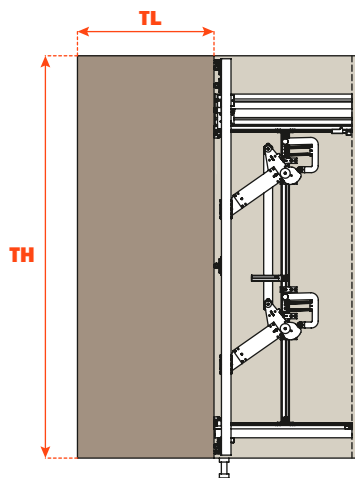


LPU = LPS



$Y = TL + 107 \text{ mm} - LPU$

LPS ≥ TL

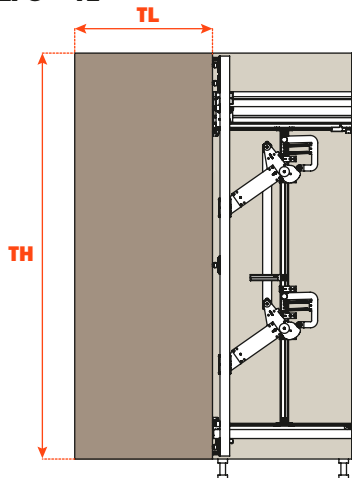


LPU = TL



$Y = 107$

LPS < TL

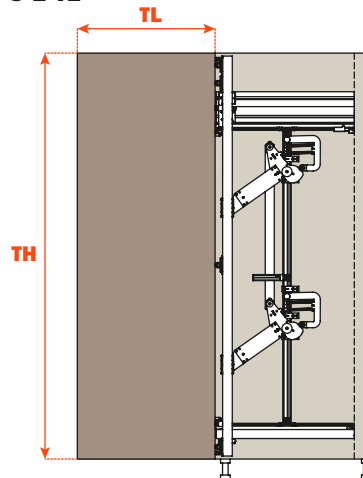


LPU = LPS



$Y = TL + 107 \text{ mm} - LPU$

LPS ≥ TL

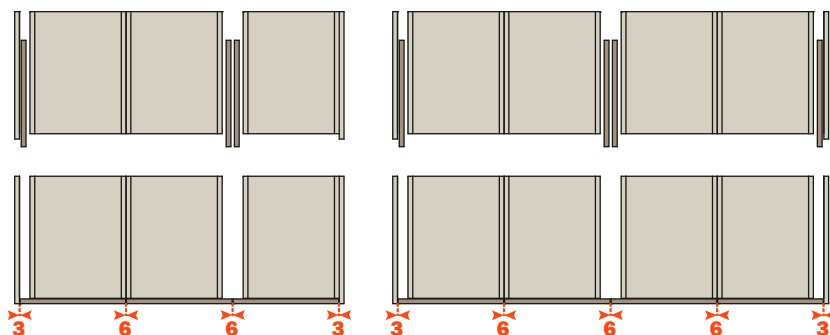
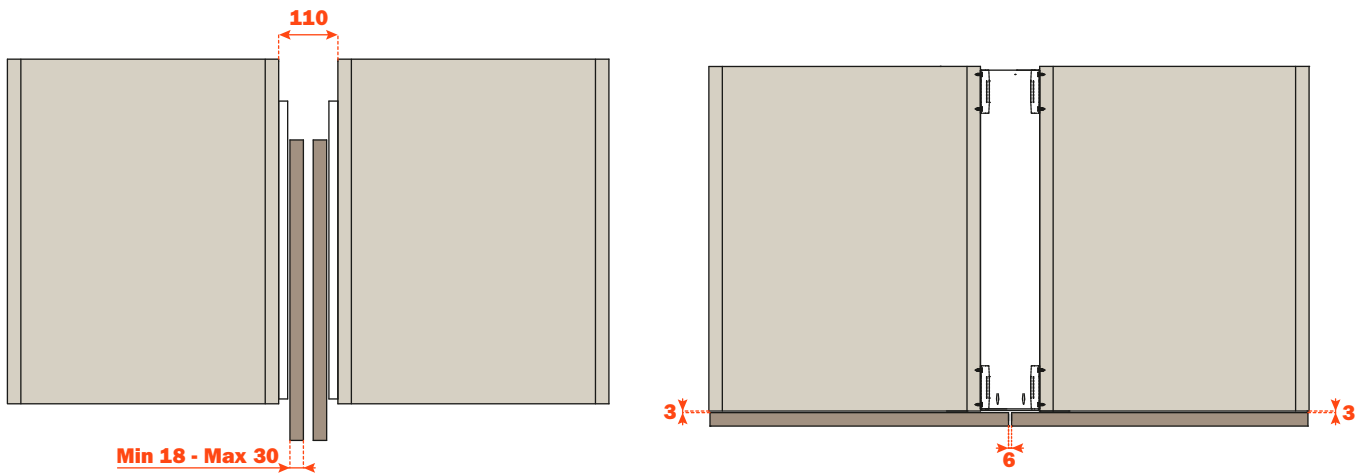
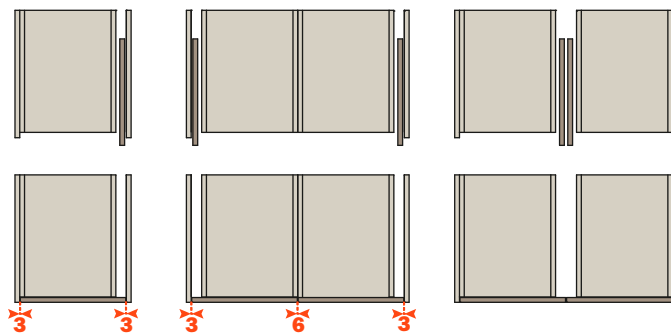
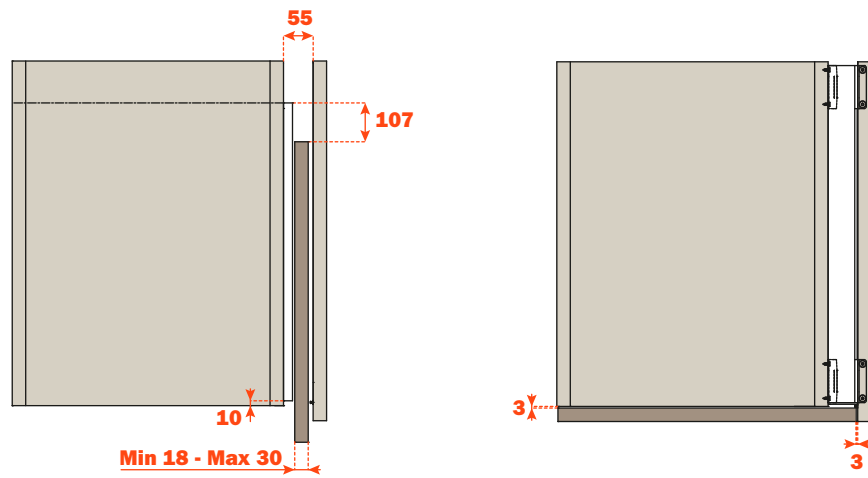


LPU = TL



$Y = 107$

Exedra

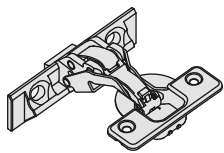


Exedra • Standard

The mechanism is cut to size based to desired length and delivered partially assembled.

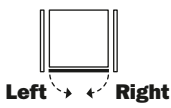
A cam-carriage connection (tab. 5) must be ordered together with the mechanism kit (tab. 2) according to the utilized depth of the cabinet structure (LPU) and the height of the door (TH). Refer to the installation manual for the assembly operations.

Calculation of the min. structure dimensions

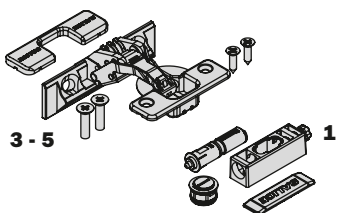
Usable structure depth (LPU - mm)														
		370 - 400		401 - 500		501 - 600		601 - 700		701 - 800		801 - 900		
Door height TH (mm)	Min	Max	Min	Max	Min	Max	Min	Max	Min	Max	Min	Max		
	1303	1575											2 x	 max 12 kg
			1576	1726	1698	1787	1820	1909					3 x	max 18 kg
			1727	2121	1788	2182	1910	2243	2032	2304	2154	2365	4 x	max 24 kg
		2122	2800	2183	2800	2244	2800	2305	2800	2366	2800	5 x	max 30/40 kg*	

* Doors can weigh up to 40 kg max only with a 700 mm max door width

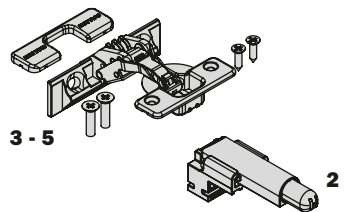
Mechanism kit – STANDARD (tab 2)

Part number		Door height TH (mm)
YE55CAD2500NN	Right	1303* - 2800
YE55CAS2500NN	Left	* TH min. with rollers 1359

Push kit


	Part number	Kit composition
	YE55KITCP010AB	5 Push Hinges + 1 Nickel-plated Release device
	YE55KITCP010TB	5 Push Hinges + 1 Titanium Release device
	YE55KITCP030AB	3 Push Hinges + 1 Nickel-plated Release device
	YE55KITCP030TB	3 Push Hinges + 1 Titanium Release device

Smove kit

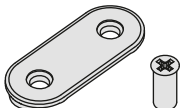
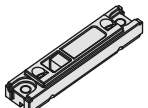
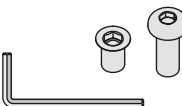

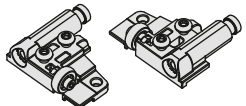
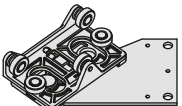
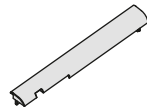
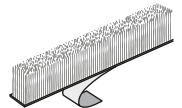
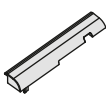
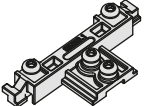

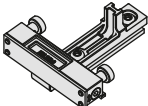
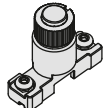
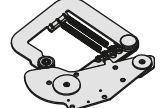
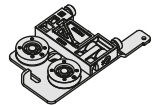
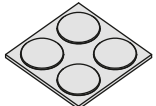
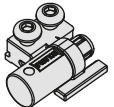
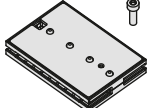
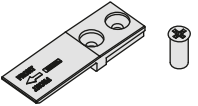




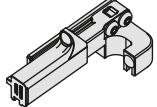

	Part number	Kit composition
	YE55KITCS010AB	5 CA Hinges + 2 Nickel-plated Smove
	YE55KITCS010TB	5 CA Hinges + 2 Titanium Smove
	YE55KITCS030AB	3 CA Hinges + 2 Nickel-plated Smove
	YE55KITCS030TB	3 CA Hinges + 2 Titanium Smove

CA = self-close hinge

Cam-carriage connection (tab 5)

 2x	Part number	Usable structure depth (LPU - mm)
	YE55KIT0100	370 - 400
	YE55KIT0101	401 - 500
	YE55KIT0102	501 - 600
	YE55KIT0103	601 - 700
	YE55KIT0104	701 - 800
	YE55KIT0105	801 - 900

System components

	<p>n° 9 Locating clips n° 18 Euroscrews 6.3 x 14</p>		n° 4/5 Mounting plates
	<p>n° 2 Threaded inserts M6 x 13 n° 2 Screws M6 20 UNI 7380 n° 1 Allen key</p>		n° 1 Mechanism connecting support profile
	n° 1 + n° 1 Door extraction dampers		n° 2 Vertical carriages
	n° 1 Upper front cover		2.5 mt Dust protection brush
	n° 1 Lower front cover		n° 2 Central profile connectors
	n° 2 Spare springs		n° 1 Lower horizontal carriage
	n° 2 Door positioning supports		n° 2 Door extraction and insertion mechanisms
	n° 1 Upper horizontal carriage		n° 1 Spacers
	n° 1 Door insertion stopper		
	n° 1 Magnetic buffer for soft insertion		
	<p>n° 5 Positioning stops n° 10 Screws 6.3 x 14</p>		n° 1 Central profile
	n° 1 Upper track		n° 1 Mechanism profile connecting
	n° 1 Lower track		n° 1 Rear bumper
	n° 1 Door fixing profile		

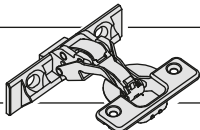
Exedra - Partially assembled

Partially-assembled systems.

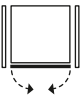
The partly-assembled Exedra system can be supplied in two versions: for doors with height from 1930 to 2230 mm or from 2231 to 2530 mm. Depth between 501 and 700 mm. After the identification of the version, the customer must cut to size the upper and the lower tracks, assemble the cams and install everything on the cabinet.

The locating clips and positioning stops ensure a fast and secure assembly and removal from the cabinet without the need to access the side of the cabinet.

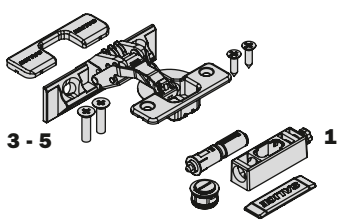
Calculation of the min. structure dimensions

Usable structure depth (LPU - mm)							
501 - 600		601 - 700					
Min	Max	Min	Max				
Door height TH (mm)	1930	2230	1930	2230	4 x	max 24 kg	
	2231	2530	2231	2530	5 x	max 30 kg	

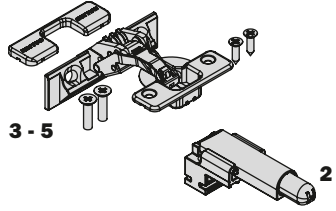
Mechanism kit – STANDARD PARTIALLY ASSEMBLED

Part number	Left  Right	Usable structure depth (LPU - mm)	Door height TH (mm)
YE55CMD2200NN	Right	501 - 700	1930 - 2230
YE55CMS2200NN	Left		
YE55CMD2500NN	Right	501 - 700	2231 - 2530
YE55CMS2500NN	Left		

Push kit

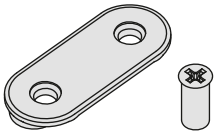
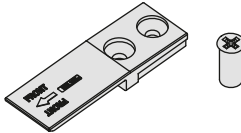
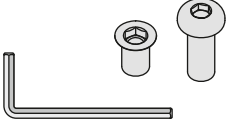
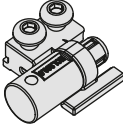
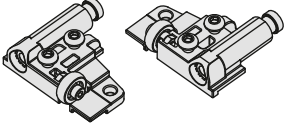
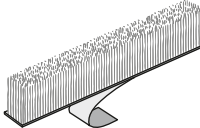
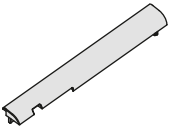
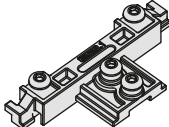
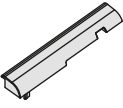
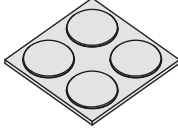
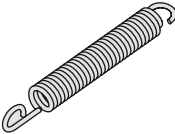


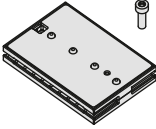
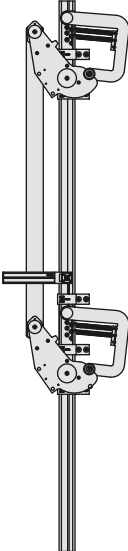


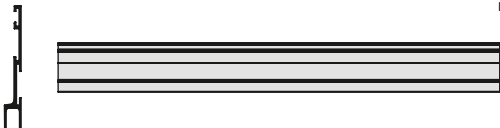
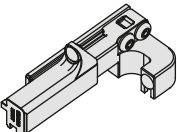
	Part number	Kit composition
	YE55KITCP010AB	5 Push Hinges + 1 Release device • Nickel-plated
	YE55KITCP010TB	5 Push Hinges + 1 Release device • Titanium
	YE55KITCP030AB	3 Push Hinges + 1 Release device • Nickel-plated
	YE55KITCP030TB	3 Push Hinges + 1 Release device • Titanium

Smove kit

	Part number	Kit composition
	YE55KITCS010AB	5 CA Hinges + 2 Smove • Nickel-plated
	YE55KITCS010TB	5 CA Hinges + 2 Smove • Titanium
	YE55KITCS030AB	3 CA Hinges + 2 Smove • Nickel-plated
	YE55KITCS030TB	3 CA Hinges+ 2 Smove • Titanium

CA = self-close hinge

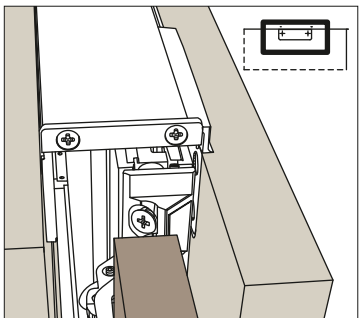
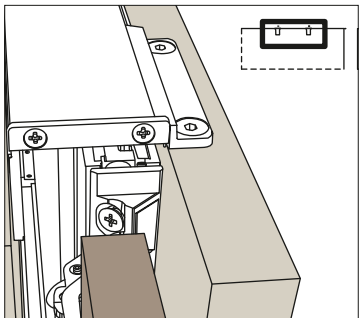
System components

	<p>n° 9 Locating clips n° 18 Euroscrews 6.3 x 14</p>		<p>n° 5 Positioning stops n° 10 Screws 6.3 x 14</p>
	<p>n° 2 Threaded inserts M6 x 13 n° 2 Screws M6 20 UNI 7380 n° 1 Allen key</p>		<p>n° 1 Door insertion stopper</p>
	<p>n° 1 + n° 1 Door extraction dampers</p>		<p>3 mt Dust protection brush</p>
	<p>n° 1 Upper front cover</p>		<p>n° 2 Central profile connectors</p>
	<p>n° 1 Lower front cover</p>		<p>N° 1 Spacers</p>
	<p>n° 2 Spare springs</p>		<p>n° 2 Cam connection plates</p>
	<p>n° 12 Fixing screws for connection plates (screws M4 x UNI)</p>		
	<p>n° 1 Magnetic buffer for soft insertion</p>		
	<p>n° 1 Upper track</p>		
	<p>n° 1 Lower track</p>		
	<p>n° 1 Rear bumper</p>		



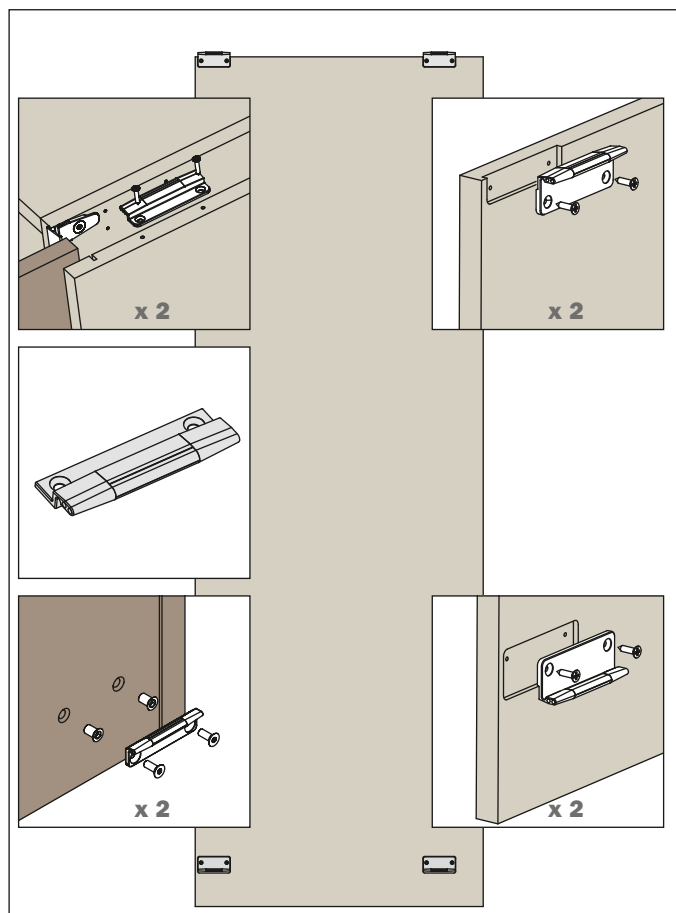
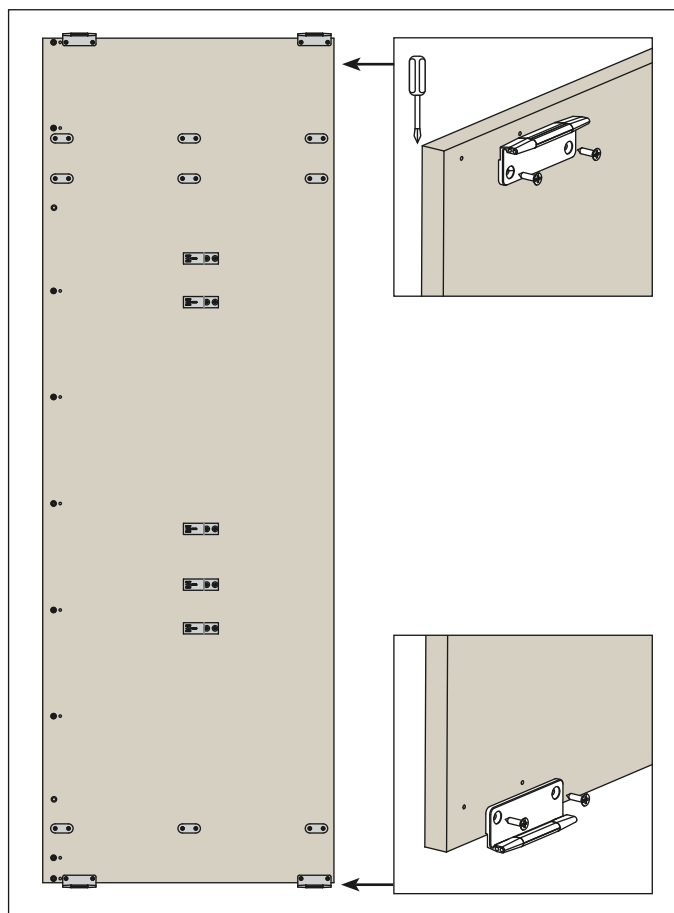
Accessories

Exedra - Accessories - Side panel connector kits - Single door

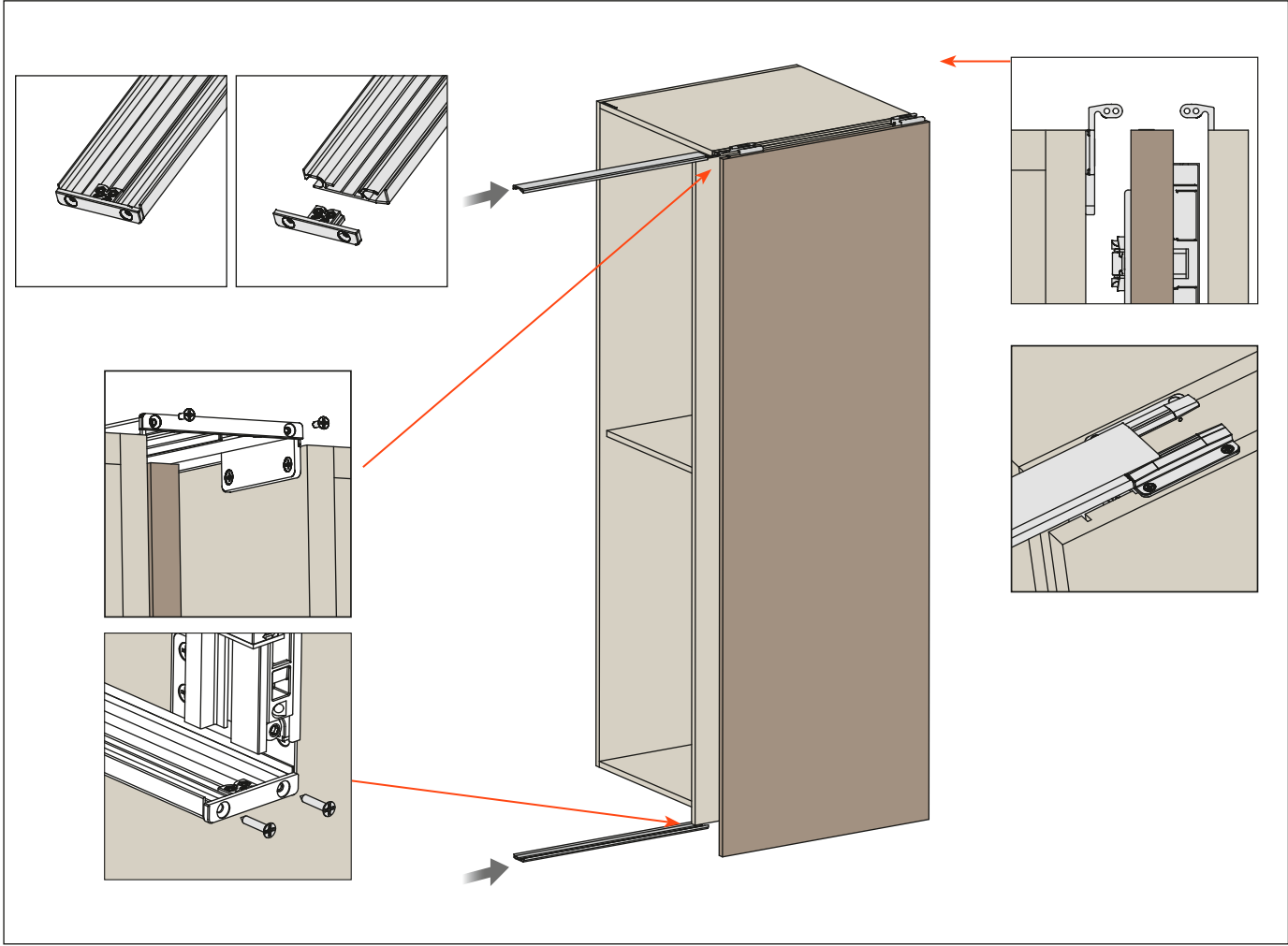
Version with milling	Part number	LPS (mm)	Version to be screw-fixed	Part number	LPS (mm)
	YE55KIT0005	400 - 650		YE55KIT0001	400 - 650
	YE55KIT0006	650 - 900		YE55KIT0002	650 - 900

Side fixing. Plates to install the upper and the lower cover.

Top fixing. Plates to install the upper and the lower cover.

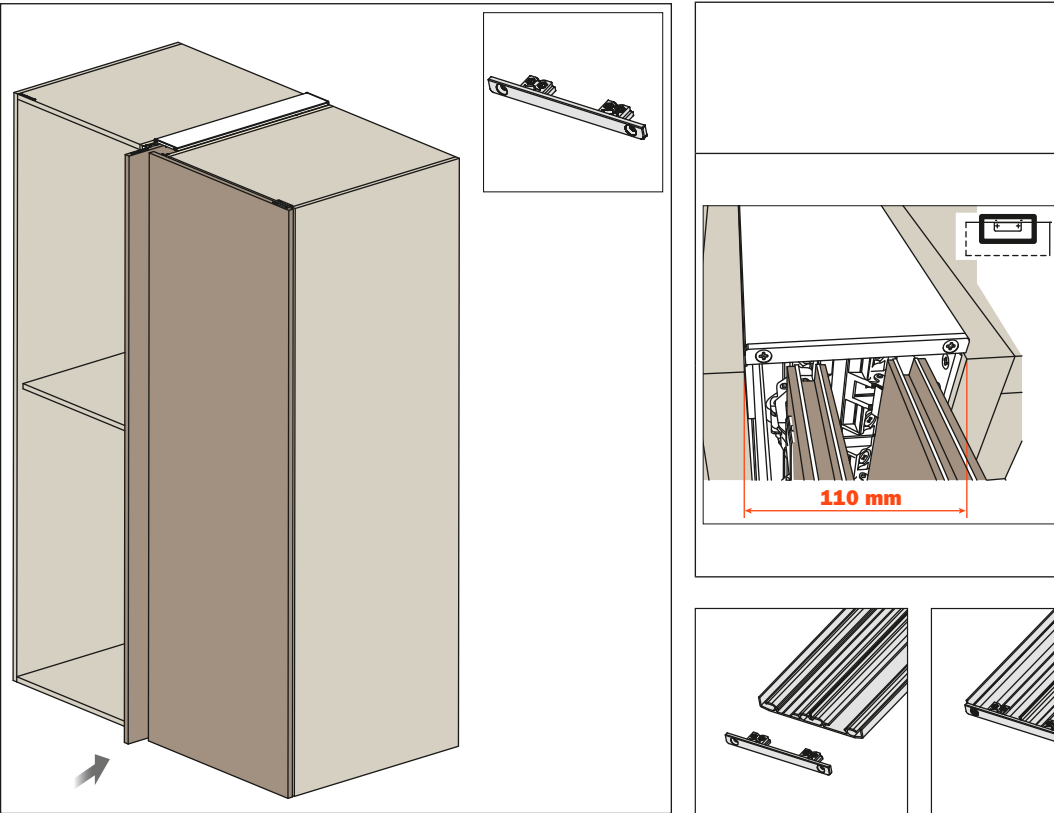


Cut the aluminum cover to length and slide it onto the clips.

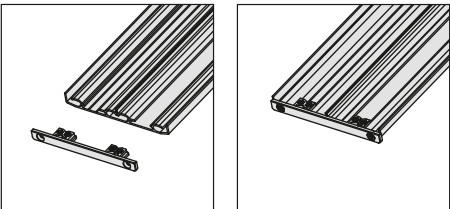
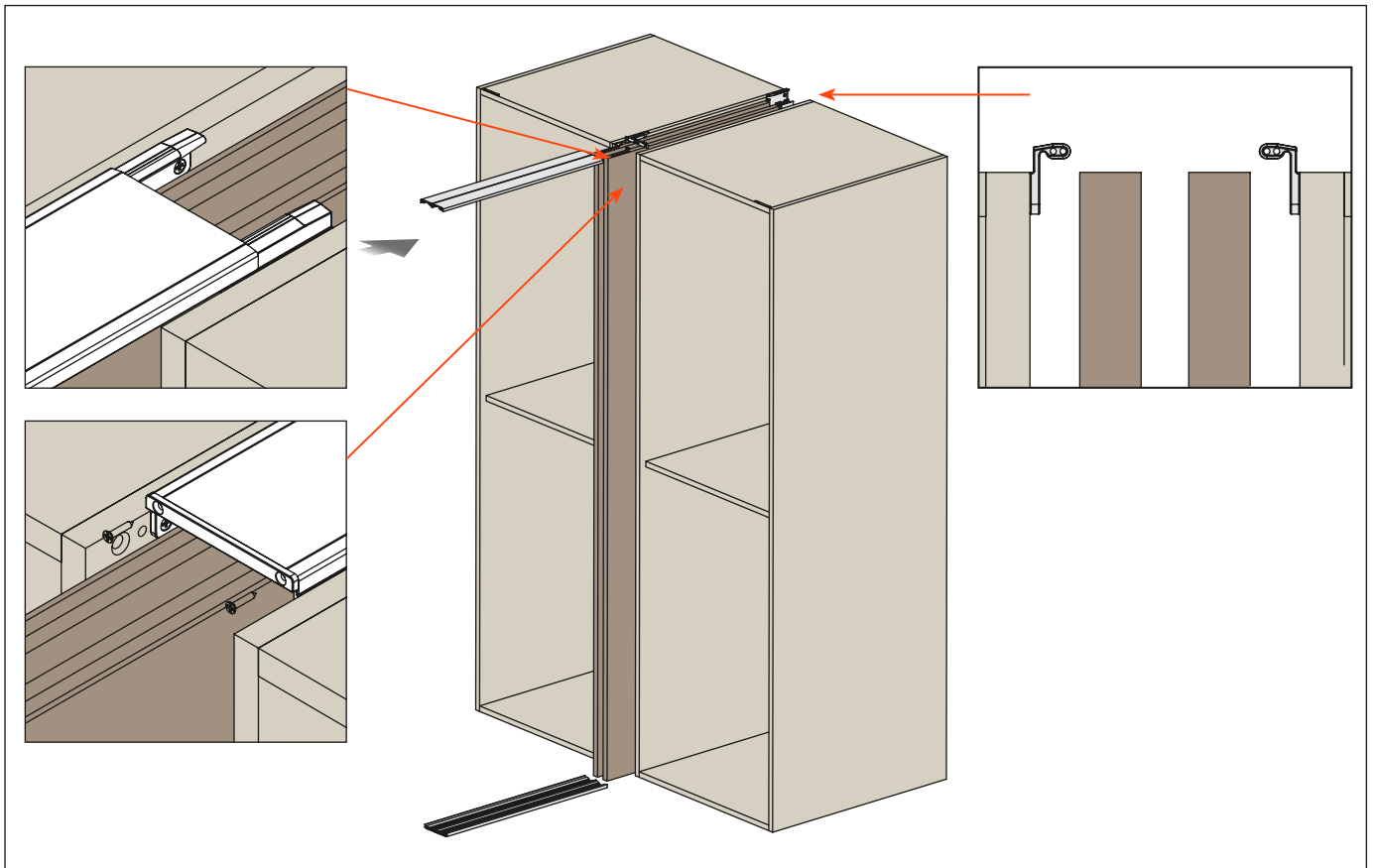


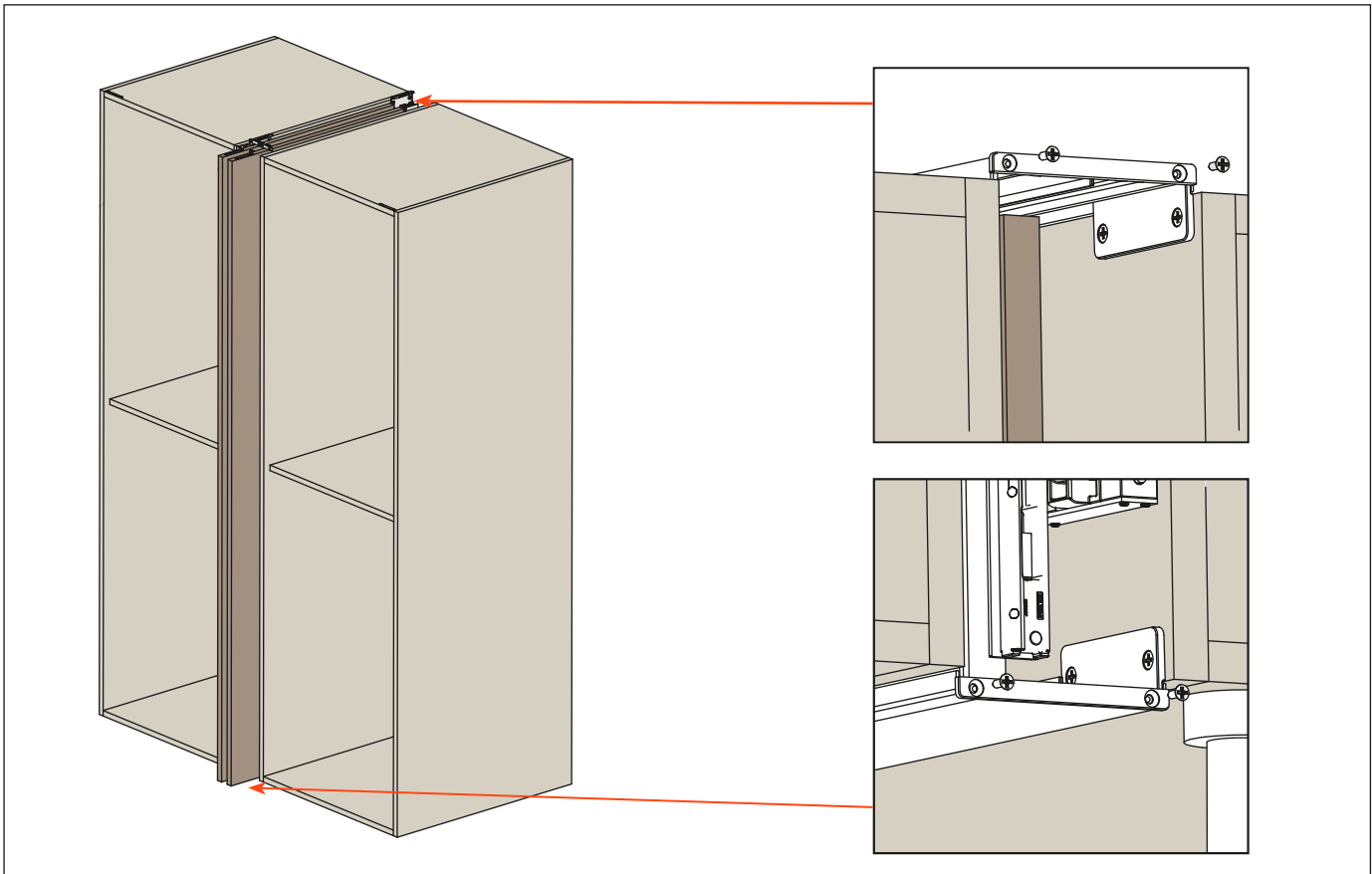
Exedra - Accessories - Connector kits for double-pocket applications for 2 doors

Screw-fix the supports to the cabinet side and insert the track for the doors in the front part of the profile. Cut to length and insert the profile.



Part number	LPS (mm)
YE55KIT0003	400 - 650
YE55KIT0004	650 - 900

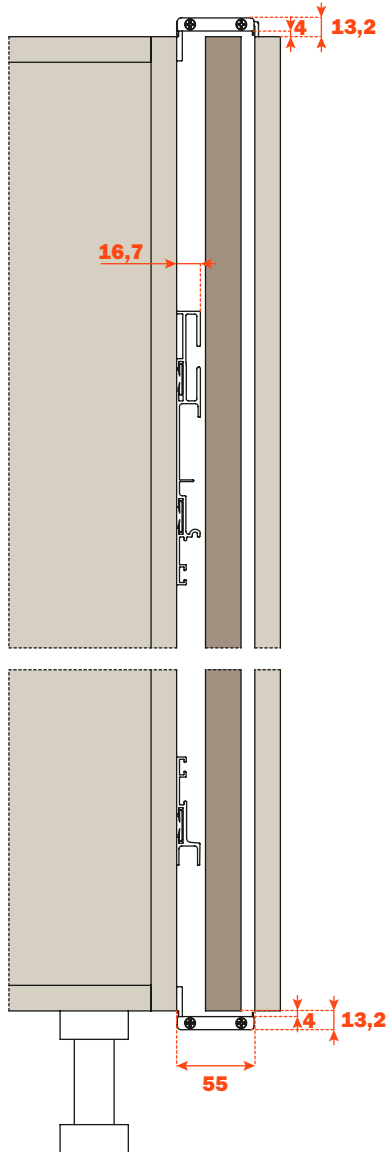





Exedra - Types of assembly - 1 door

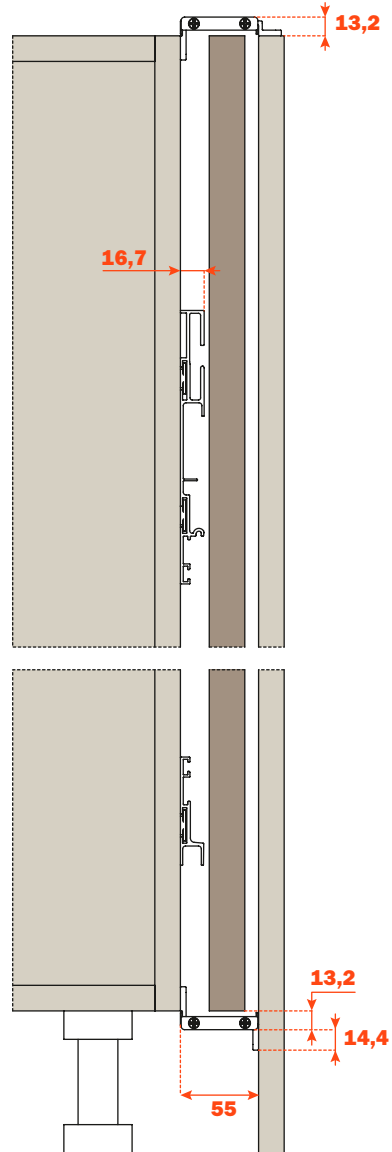
Single door application

Recess-mounted version
YE55KIT0005
YE55KIT0006



Single door application

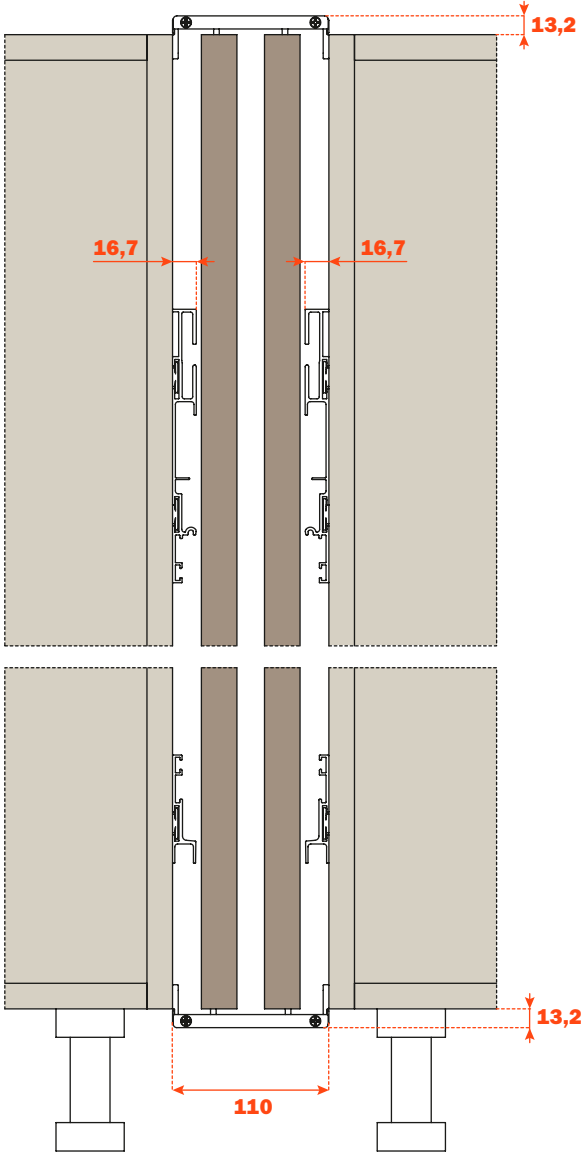
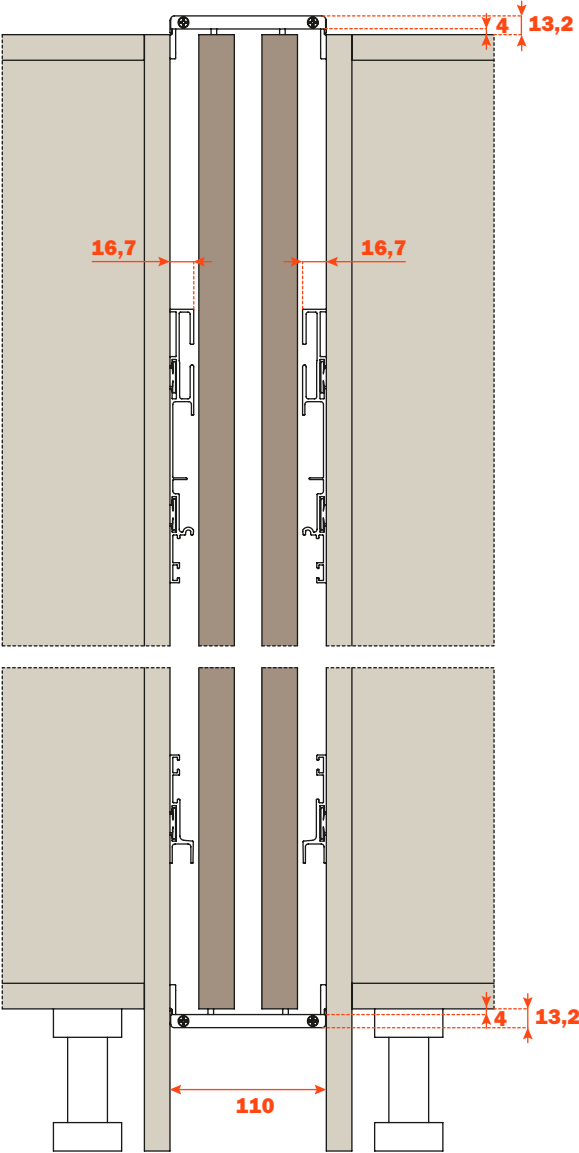
Surface-mounted version
YE55KIT0001
YE55KIT0002



Types of assembly - 2 doors

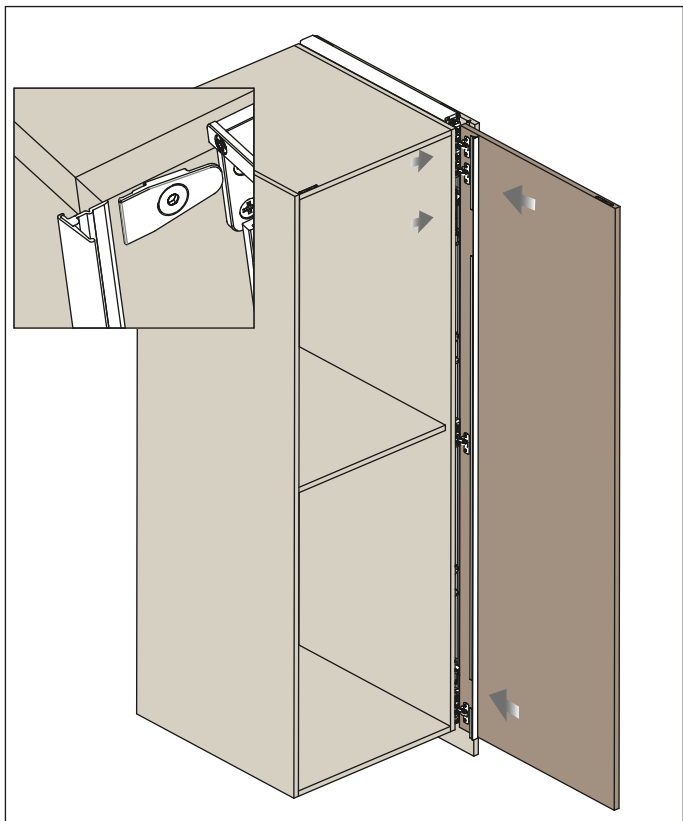
Double doors application

Surface-mounted version
YE55KIT0003
YE55KIT0004



Exedra - Accessories

Front cover kit



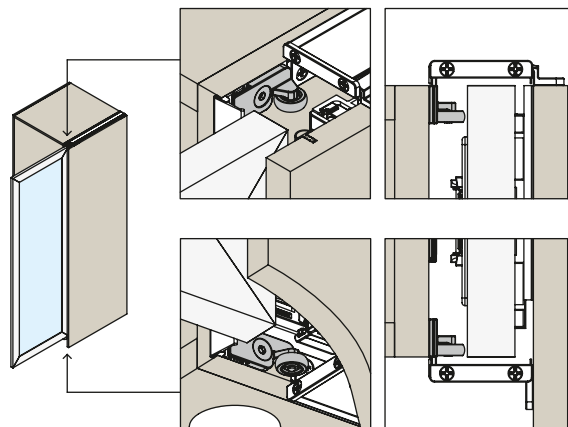
	Part number	L (m)	Colors
	YE55KIT0201	2.6	
	YE55KIT0202	2.6	
	YE55KIT0203	2.6	

The use of the front cover kit is not possible for doors less than 1576 mm high and less than 430mm wide.

Supplementary roller guide for aluminum-framed glass doors or 5 piece wood doors.

The fixing of this component requires additional working. Please do not hesitate to consult our technical support department for assistance.

Part number	pcs.
YE55KIT0040	1





Exedra2

Exedra2



Exedra2 Star and **Exedra2 Smart** are evolutions of the Exedra system, which, thanks to an innovatively-engineered mechanism, enable the simultaneous movement of two linked doors. It is a patented mechanism with assisted door extraction and door insertion, operated by a magnetically-assisted motion-control system that confers a smooth and perfectly balanced movement.

Thanks to the motion-control system, the handle can be fixed at the edges of the doors, allowing effortless opening and closing with one hand. Furthermore, with the aid of the electric Push kit, it is possible to use both versions on handle-less furniture.

The whole mechanism is self-supporting and fixed to the side of the cabinet; there are no load-bearing front profiles on either the top or bottom of the cabinet, thus eliminating any need for additional central supports.

Exedra2 Star and **Exedra2 Smart** can be used in a host of application to enable a significant functional optimization of space, from walk-in wardrobes to pantries for kitchens, home office solutions and in storage applications.



Exedra2 Star • Exedra2 Smart



Technical Information

DOUBLE pocket door system with cam-assisted door extraction and cushioned door insertion.

Door characteristics:

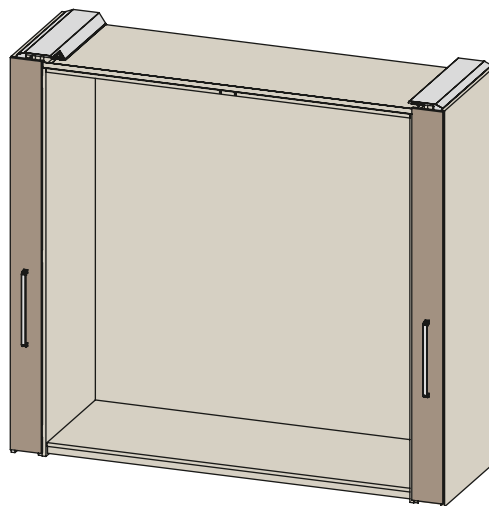
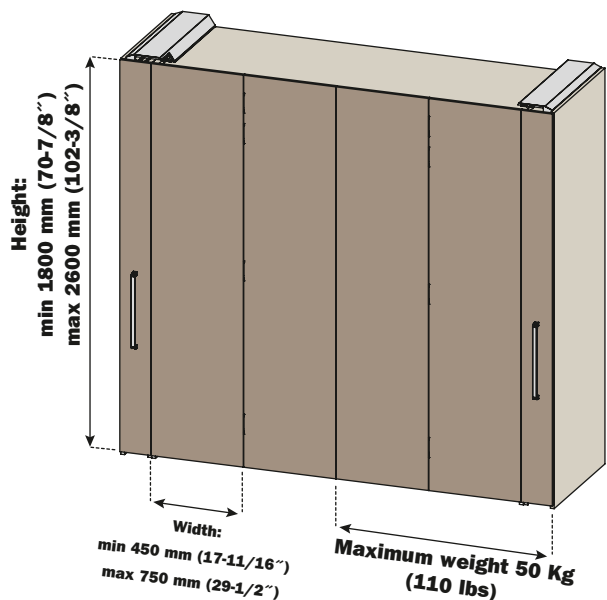
Adjustment:

- vertical adjustment ± 5 mm
- horizontal adjustment ± 3.5 mm
- front adjustment: - upper ± 3 mm
- lower ± 2 mm

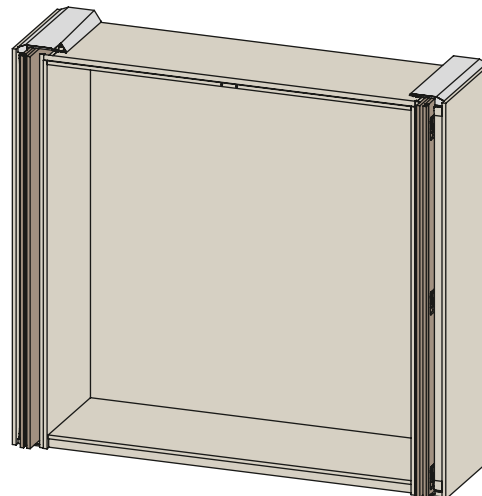
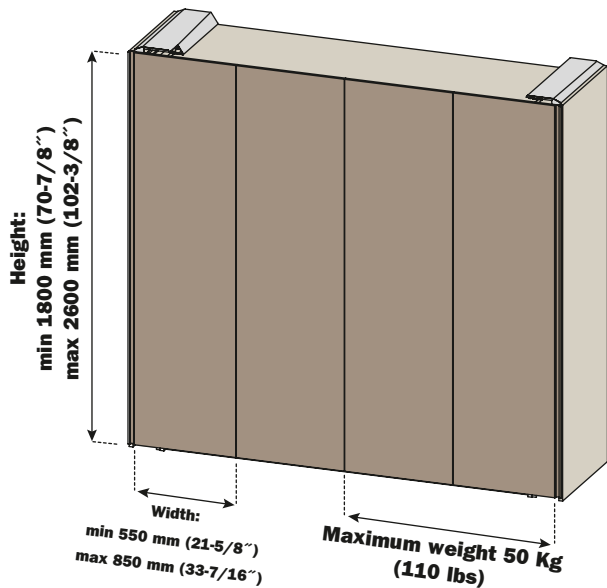
- Maximum weight for single door: 25 Kg (55 lbs)
- Doors thickness: min 18 mm (3/4") - max 25 mm (1")
- Width of single door – Exedra2 Star: min 450 mm (17-11/16") - max 750 mm (29-1/2")
- Width of single door – Exedra2 Smart: min 550 mm (21-5/8") - max 850 mm (33-7/16")
- Doors height: min 1800 mm (70-7/8") - max 2600 mm (102-3/8")

Product available only upon request as a custom order

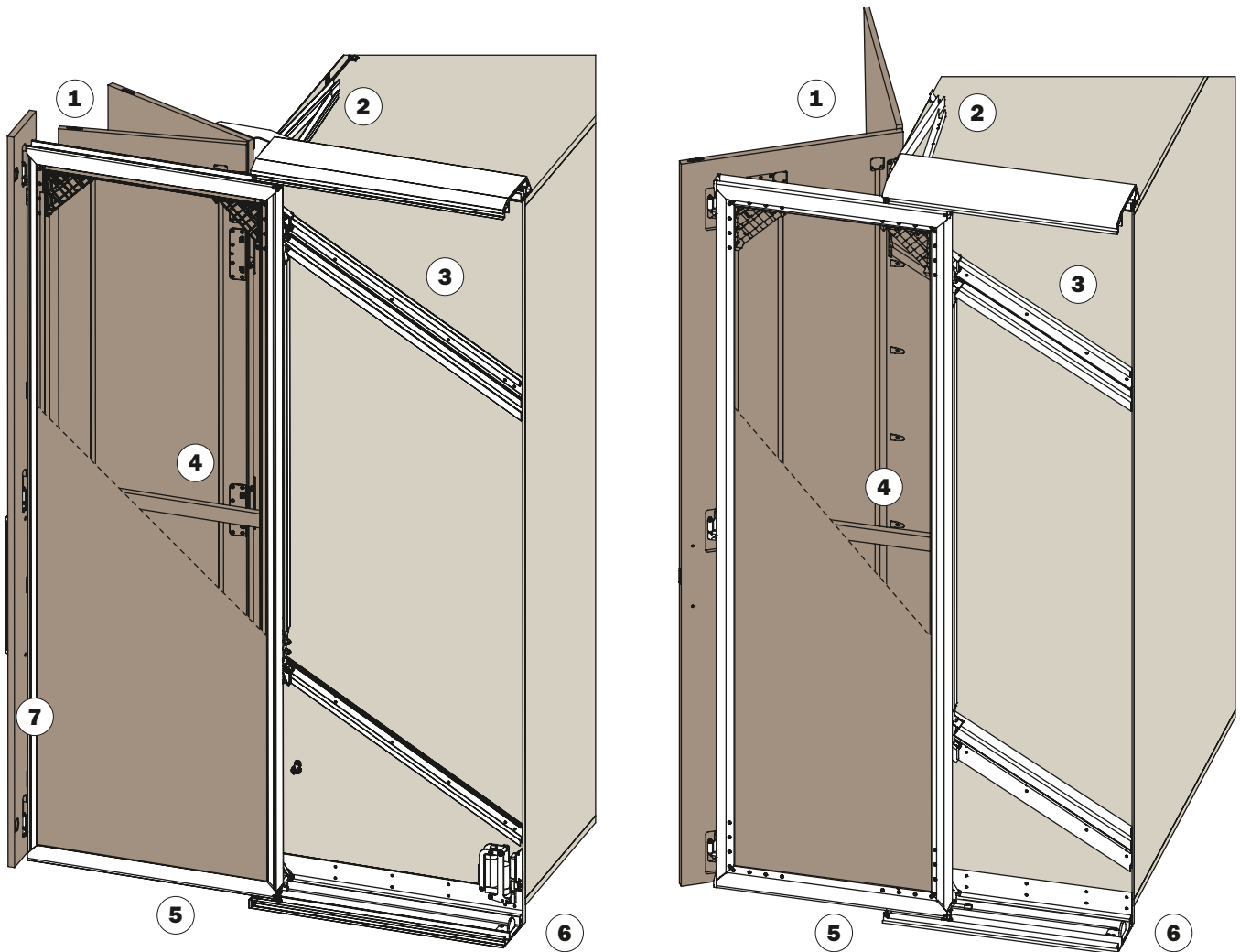
Exedra2 Star



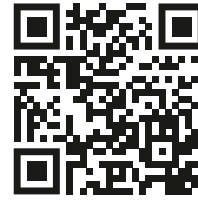
Exedra2 Smart



- 1** - Unique patented door opening system. The exterior surfaces of the doors are always protected during the opening and closing cycles.
- 2** - No load-bearing track on the top of the cabinet.
- 3** - Magnetic buffer for assisted cushioned doors insertion.
- 4** - Structural aluminum frame for doors movement.
- 5** - Front insertion of the load-bearing frame facilitating its installation in a wall recess.
- 6** - Side frame to support the lower load-bearing track. All the load is carried by the side panel. The track does not require ground support.
- 7** - Anti-crush device.

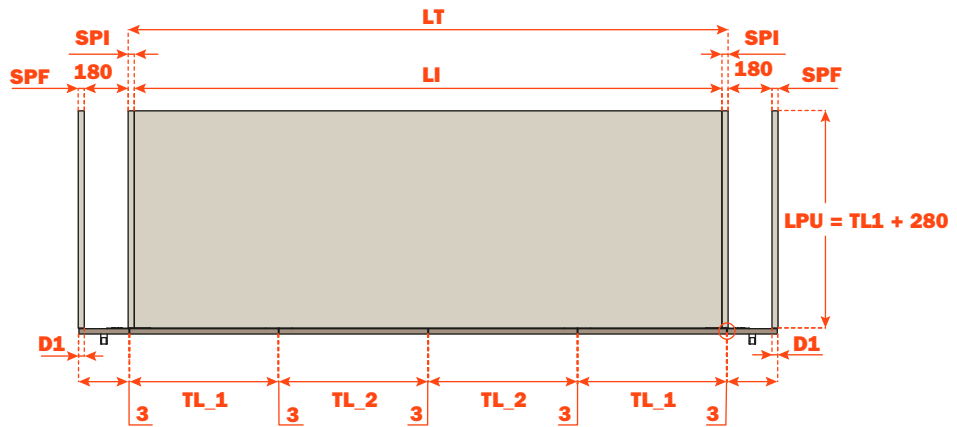
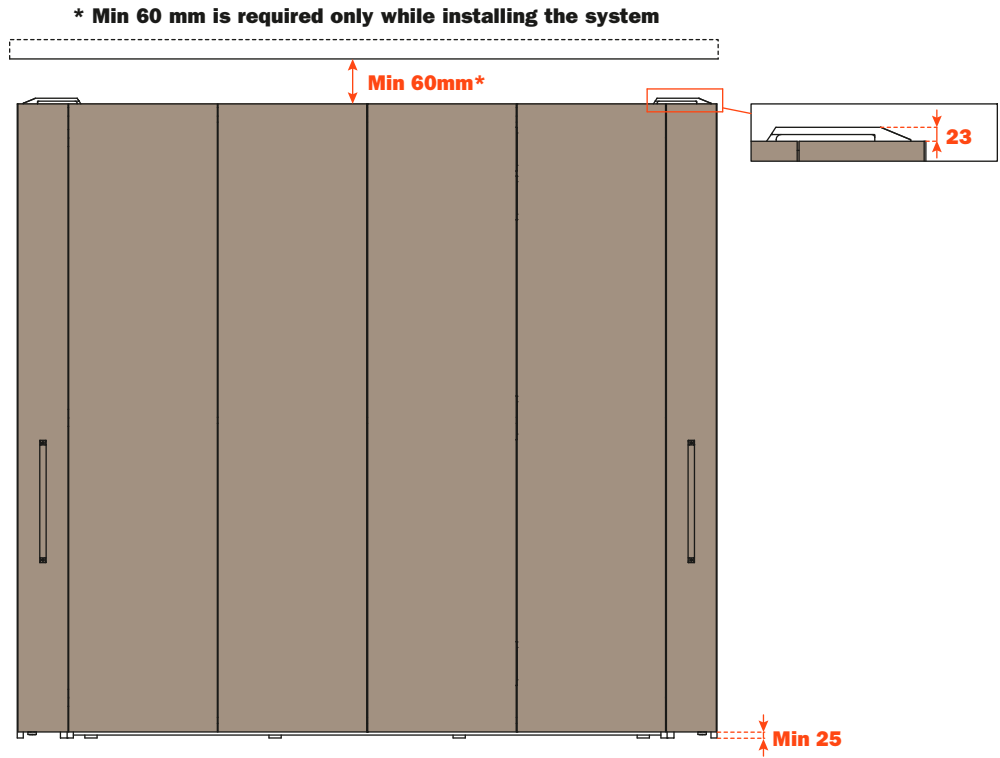
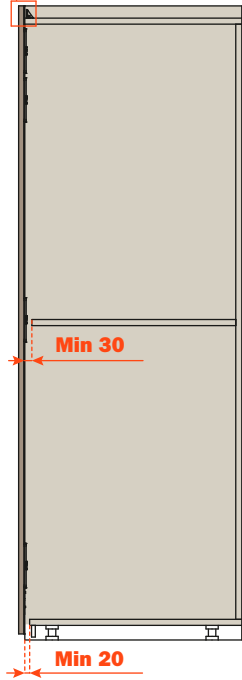
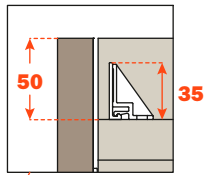


Exedra2 Star

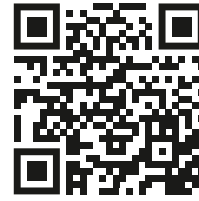


Assembly instructions and order form

- SPI** • Thickness of central panel
- SPF** • Thickness of side cover
- LPU** • Usable external depth of cabinet
- TL1** • Width of internal door
- TL2** • Width of external door
- D1** • Coverage on side cover

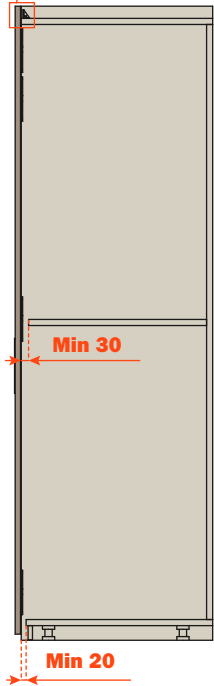
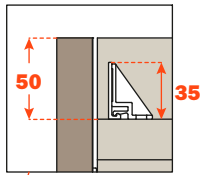


Exedra2 Smart

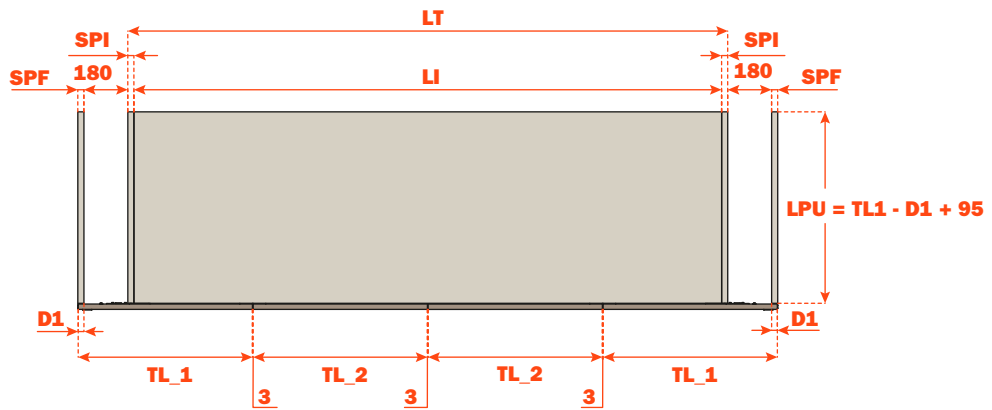
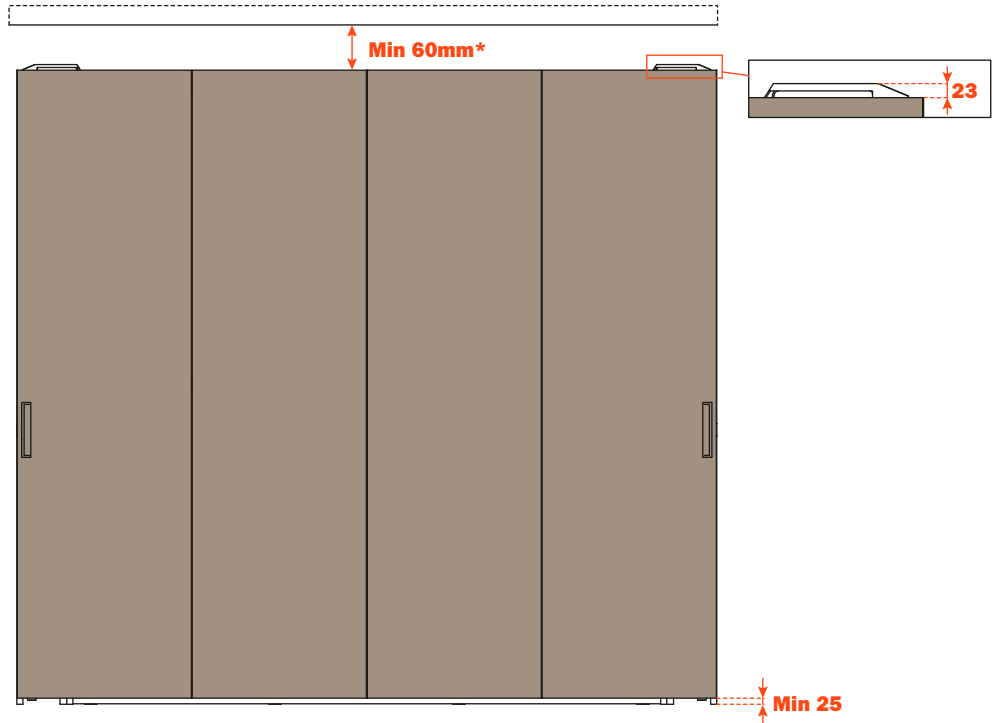


Assembly instructions and order form

- SPI** • Thickness of central panel
- SPF** • Thickness of side cover
- LPU** • Usable external depth of cabinet
- TL1** • Width of internal door
- TL2** • Width of external door
- D1** • Coverage on side cover



* Min 60 mm is required only while installing the system



Exedra2 Assembly and examples

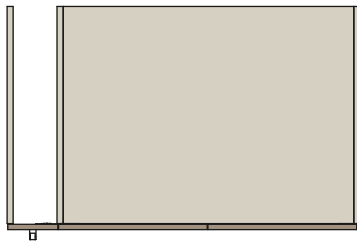
The right mechanism and the left mechanism are independent of each other, therefore it is possible to order them individually. If they are installed on the same cabinet, they must be configured as a pair.

Exedra2 Star is the version where the compartment that houses the mechanism is always hidden by the cover panel which is fixed to the front of the system.

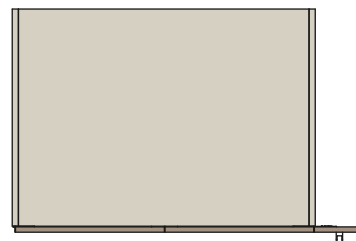
Exedra2 Smart is the version that requires less depth of the cabinet; the door edges are visible when they are folded into their compartment. Both versions are available with the electric Push kit for the opening of handle-less furniture.

Exedra2 Star is the version where the compartment that houses the mechanism is always hidden by the cover panel which is fixed to the front of the system.

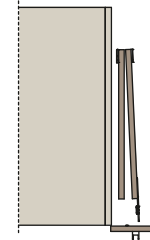
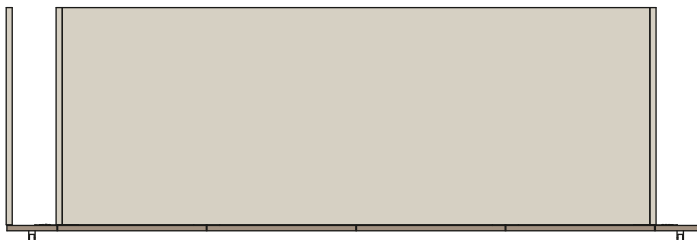
Single door, left mechanism



Single door, right mechanism



Double doors, pair of mechanism (left and right)



Exedra2 Smart is the version that requires less depth of the cabinet; the door edges are visible when they are folded into their compartment.

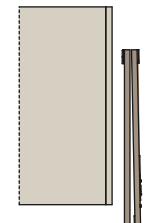
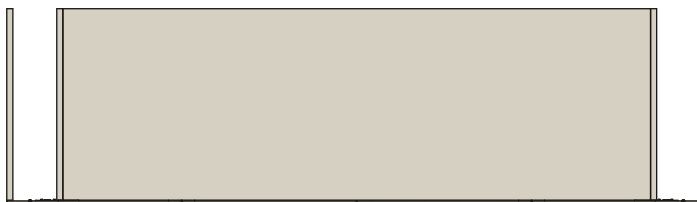
Single door, left mechanism



Single door, right mechanism



Double doors, pair of mechanism (left and right)



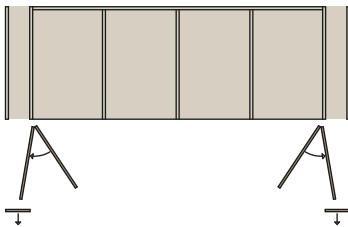
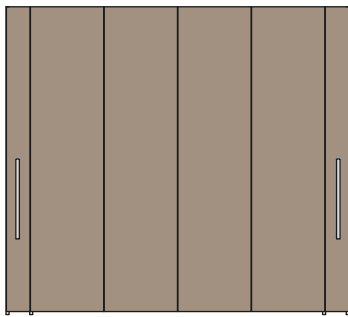
The Exedra2 system is the ideal mechanism in a host of applications. The absence of a front lower track makes it adaptable to any application, from traditional cabinets to walk-in wardrobes.

The system does not necessarily have to be placed on the floor, therefore it is possible to create systems raised from the ground or placed on a cupboard or a chest of drawers.

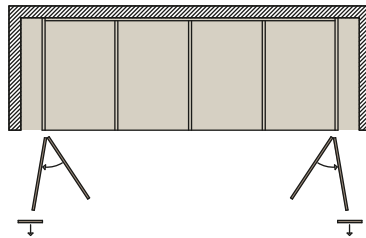
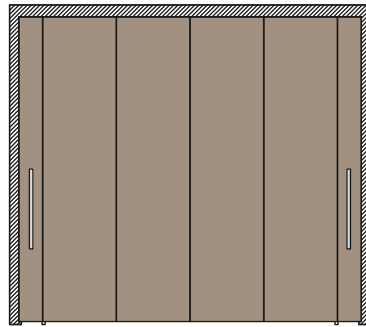
Thanks to the innovative door movement system with its moving load-bearing frame, the weight of the system and the doors is carried solely by the side of the cabinet; the system places no load on the top of the cabinet. As a result, double systems with an enormous free internal span of 3000 mm are possible without requiring a central panel or support.

Exedra2 Star

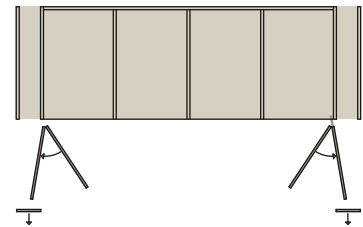
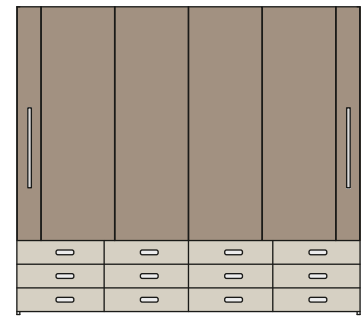
Traditional



In wall recess

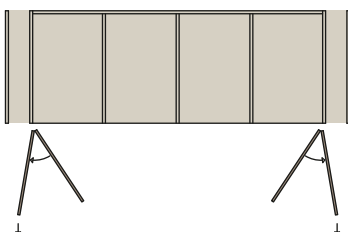
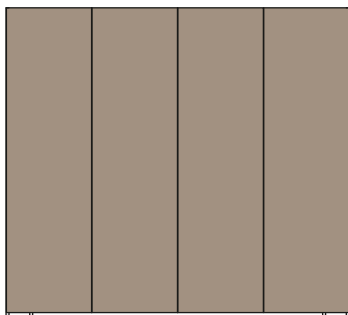


Raised from the ground

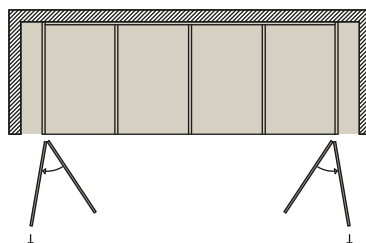
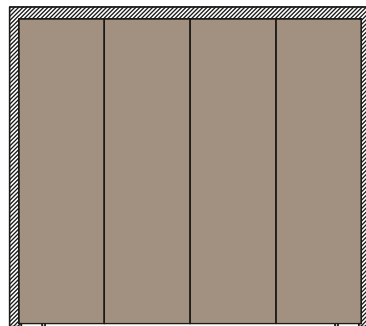


Exedra2 Smart

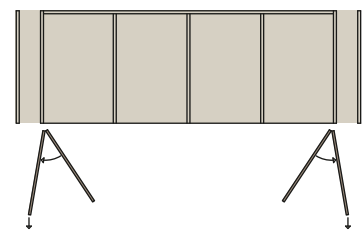
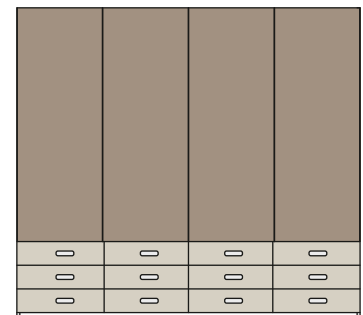
Traditional



In wall recess



Raised from the ground





Optional

Exedra2

Magnets kit to protect doors.

It keeps the minimum distance between the doors as they fold and prevents accidental collision between the doors in case of improper use of the mechanism.

4x	4x	8x	Part number	
			YE56KIT0001	Magnets kit to protect doors

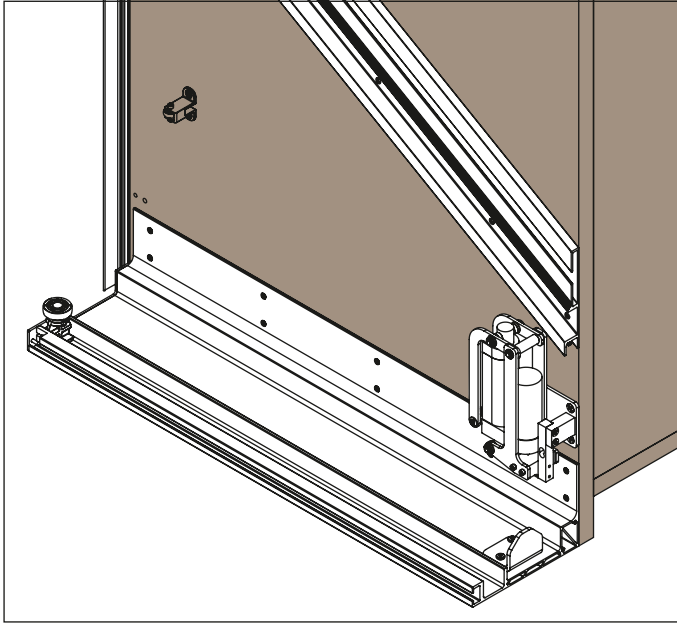
Smove kit for internal door.

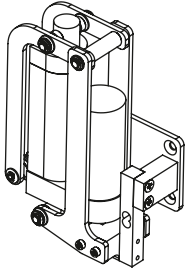
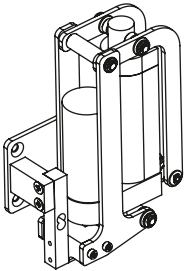
It prevents any impact and/or contact between the internal door and the top of the cabinet during the closing movement.

	Part number	
2x	YE56KIT0002	Smove kit for internal door

Electric Push kit.

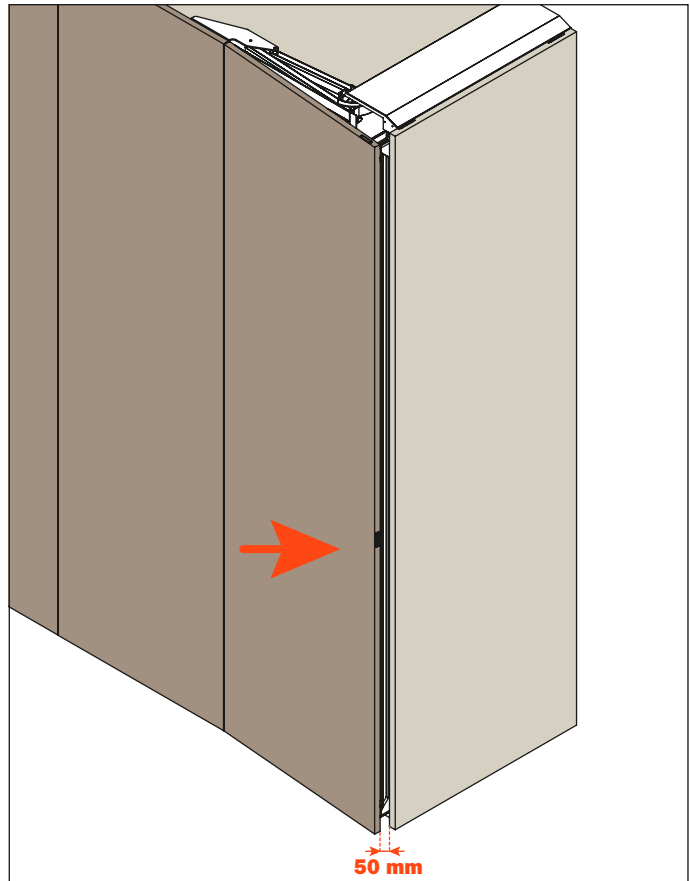
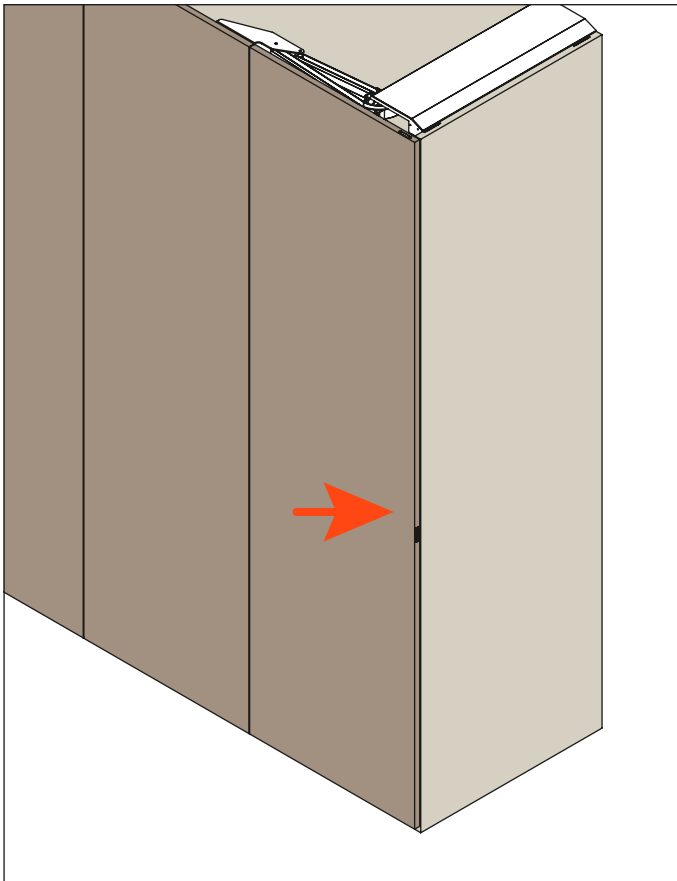
It converts an Exedra2 mechanism from manual to power-assisted opening.



	Part number	
	YE56EPP0010	Electric Push kit right cabinet side
	YE56EPP0020	Electric Push kit left cabinet side

Mode of operation.

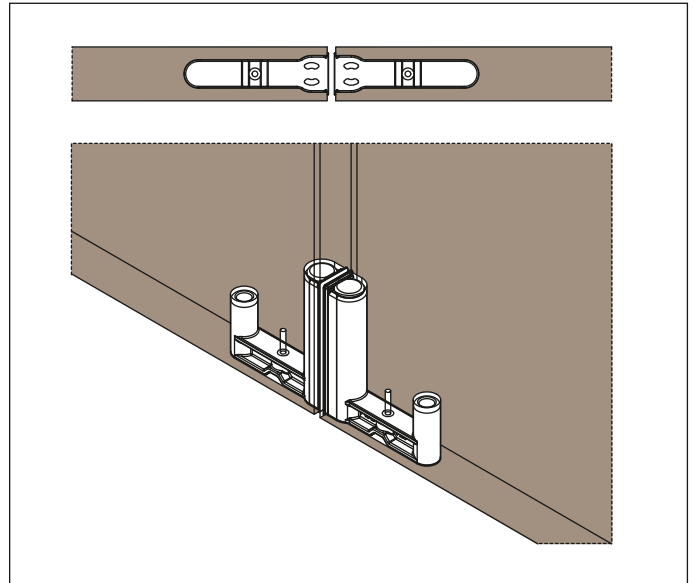
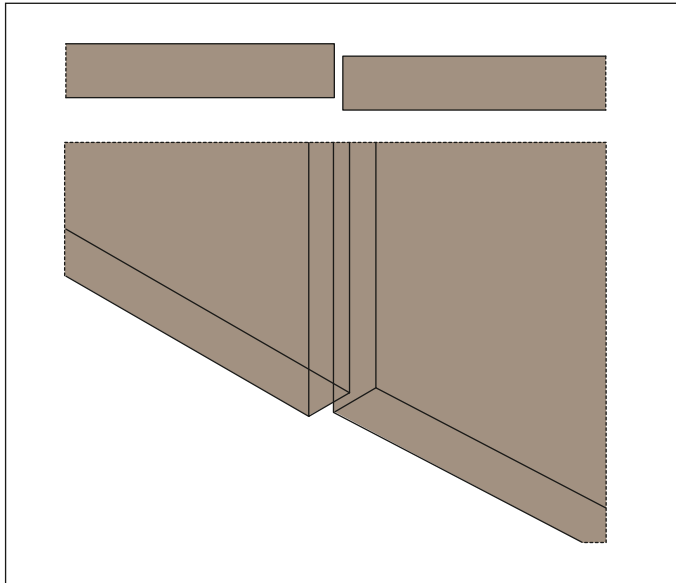
A slight pressure on the external door or on the cover panel activates the electrical system and the door moves outwards by approx. 50 mm. At this point, the opening operation is completed manually. If the opening operation is not completed manually, the external door automatically returns to the fully-closed position after a 10 seconds interval.

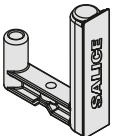


Exedra2

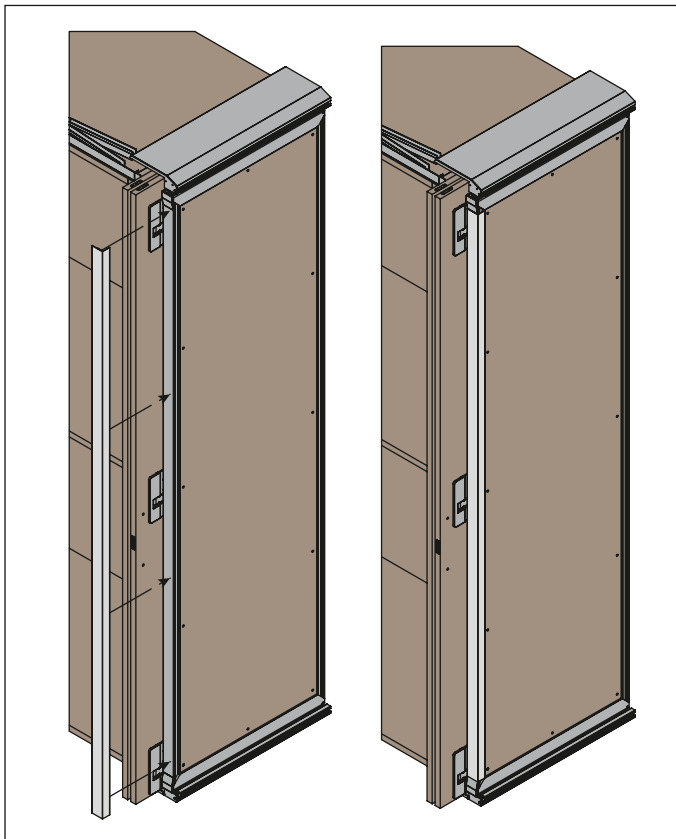
Doors alignment kit.

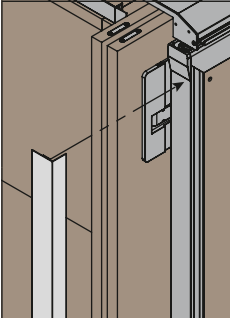
It aligns the doors of a paired Exedra2 (right + left) system.

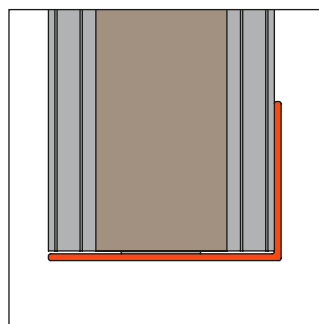


	Part number	
	YE56KIT0003	Doors alignment kit

Frame cover for Exedra2 Smart



	Part number	
	YE56KIT0200A7	Frame cover can be coated by the customer L=2600 mm
	YE56KIT0200S7	Frame cover metal grey L=2600 mm



SALICE AMERICA INC.

2123 CROWN CENTRE DRIVE
CHARLOTTE NC. 28227
TEL. 704 841 7810
FAX. 704 841 7808
info.salice@saliceamerica.com
www.saliceamerica.com

SALICE CANADA INC.

3500 RIDGEWAY DRIVE, UNIT#1
MISSISSAUGA, ONTARIO, L5L 0B4
TEL. 905 820 8787
FAX. 905 820 7226
info.salice@salicecanada.com
www.salicecanada.com