



**Exedra • Exedra2  
Pocket Door Systems**

***SALICE***





# Exedra

Assembly instructions  
and order form



**Exedra**



**\*\* special application for door height between 1303 mm (51 - 5/16") - 1575 mm (62") with a maximum utilized cabinet depth (LPU) of 400 mm(15 - 3/4").**



**Exedra allows smooth lateral assisted positive opening and cushioned soft-close movements, which are controlled by a safety device.**

**Exedra gives a smooth, uniform and noiseless movement, regardless of the speed of door insertion.**

**Product overview**

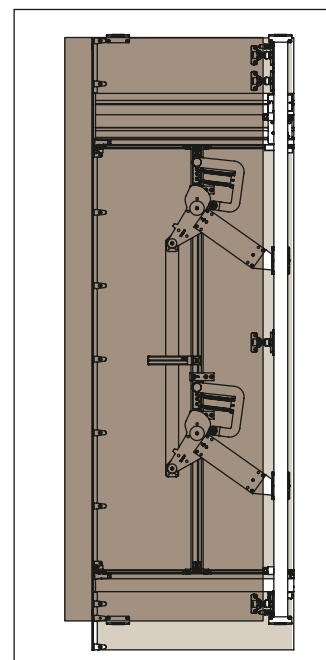
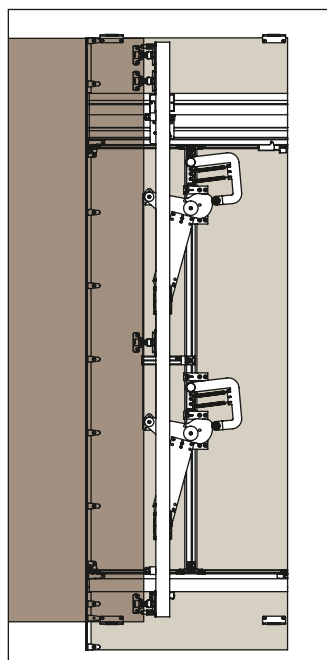
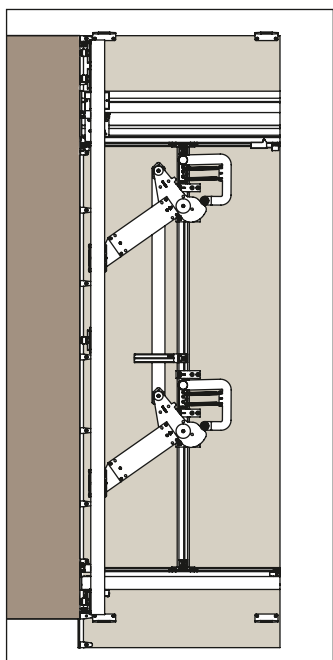
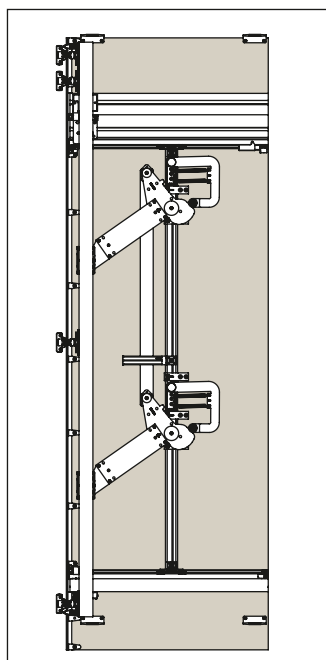
**Mechanism elements**

- Aluminum profiles: 6060T5 alloy, silver anodized
- Components made of plastic, steel and zinc alloy

**Tech features:**

- Maximum weight for each door : up to 88 lbs (40 Kg) (with 5 hinges allowed and only with a 700 mm max door width).
- Thickness: - minimum 19 mm (3/4") - maximum 30 mm (1 - 3/16")
- Width: - minimum 370 mm (14 - 9/16") - maximum 900 mm (35 - 7/16")
- Height:\*\* - minimum 1303 mm (51 - 5/16") - minimum 1359 mm (53 - 1/2") with roller kit - maximum 2800 mm (110 - 1/4")
- Door height adjustment + 4 / -1 mm
- Door side adjustment ± 2 mm
- Door front adjustment ± 4 mm
- Assisted door extraction movement
- Soft closing buffer with a linear magnetic damper
- Material:
  - a) wood or derivatives
  - b) metal and glass frame
- Standard projection of the door in open position: 107 mm (4 - 3/16") when allowed
- Recommended space below the door: 5 mm (3/16")

Mechanism movement as the door leaves the recess.



1 Cam-assisted door insertion and extraction movement.

2 Magnetic buffer for soft insertion.

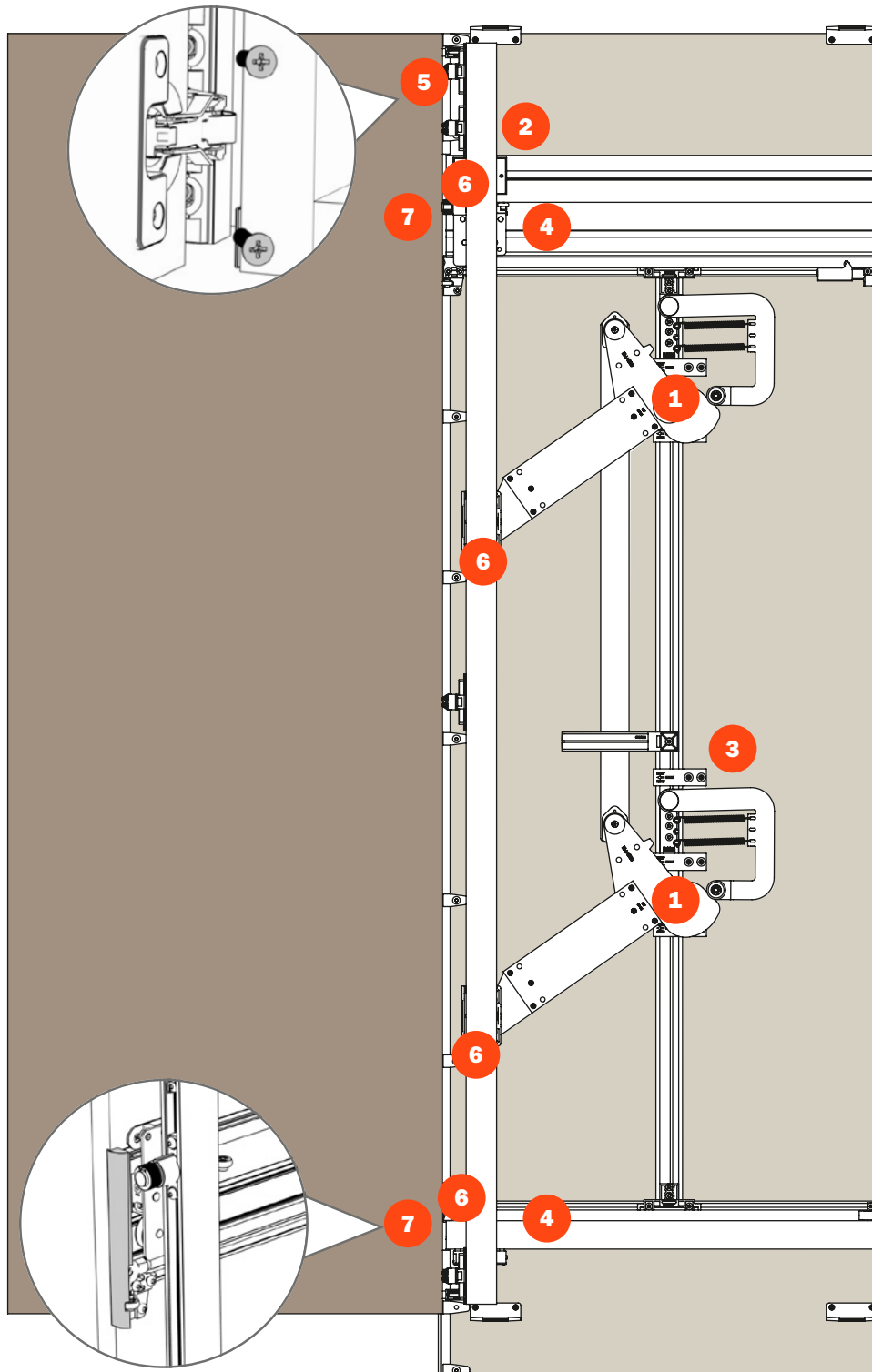
3 Slide-in installation to facilitate installation and removal of the mechanism from the front.

4 Sliding carriage.

5 Quick coupling hinges.

6 All adjustments are accessible from the front of the cabinet.

7 Profile cover caps (included in the standard versions).



**Exedra - Calculation for door protrusion from cabinet front**

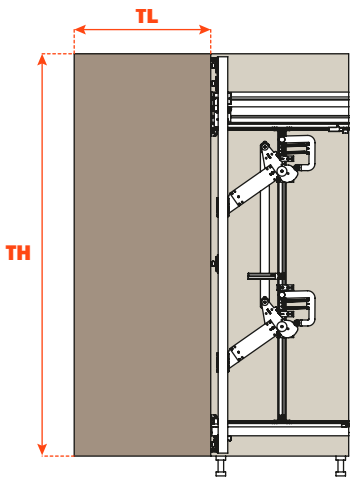
**Abbreviations**

**LPS** Total external depth of the cabinet  
**LPU** Usable external depth of the cabinet

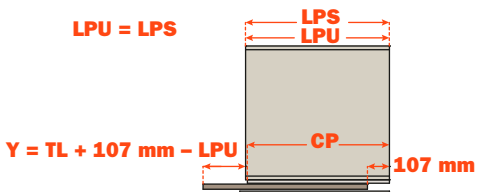
**TL** Door width  
**TH** Door height

**CP** Profile length  
**Y** Door protrusion (projection from cabinet edge)

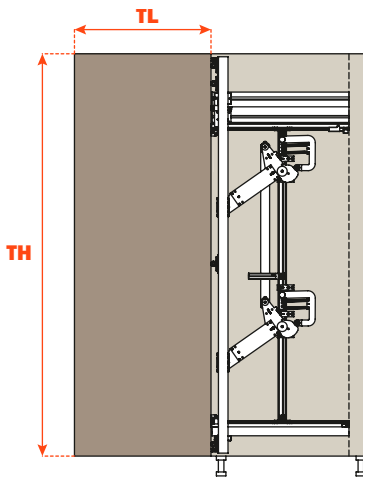
**LPS < TL**



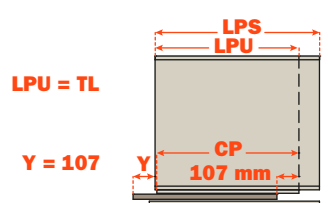
**LPU = LPS**



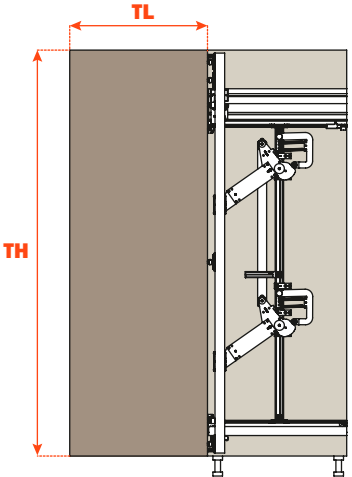
**LPS ≥ TL**



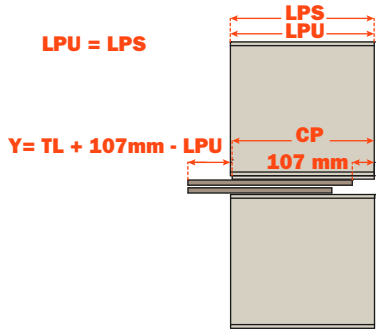
**LPU = TL**



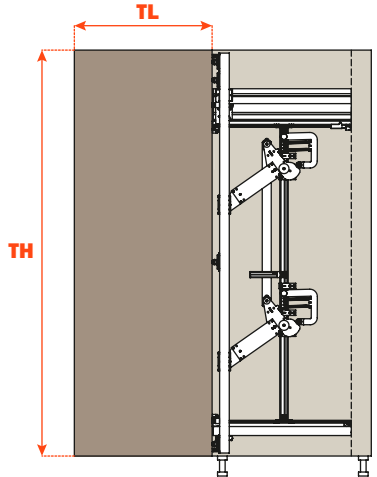
**LPS < TL**



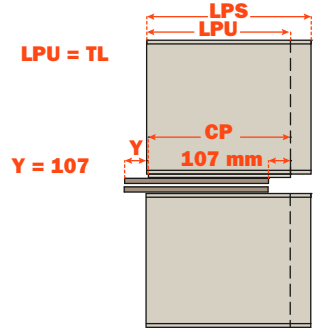
**LPU = LPS**



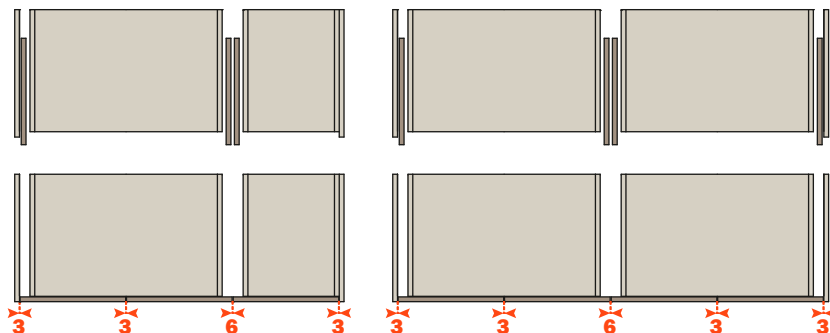
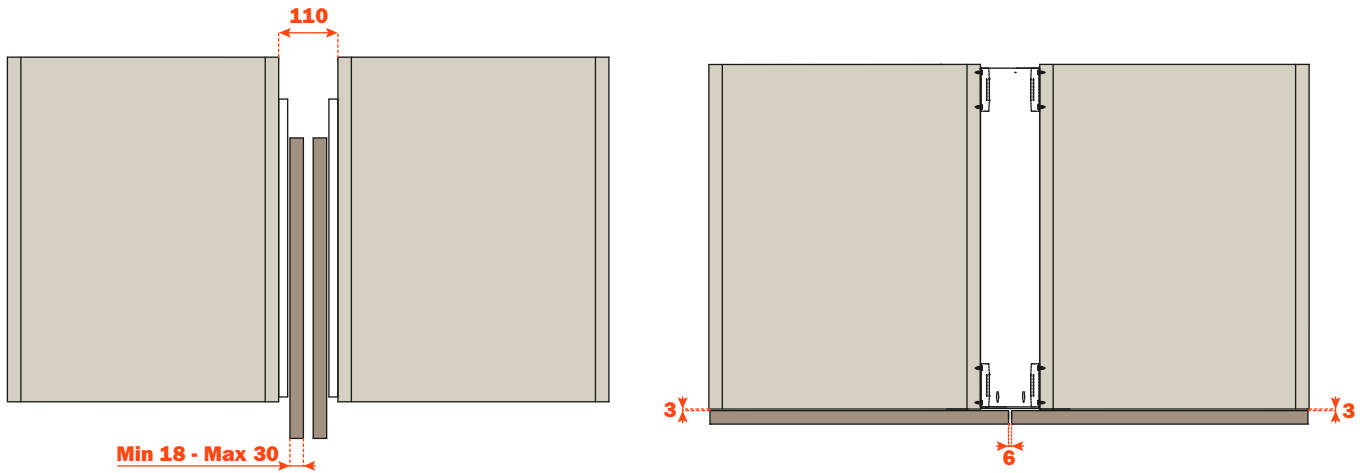
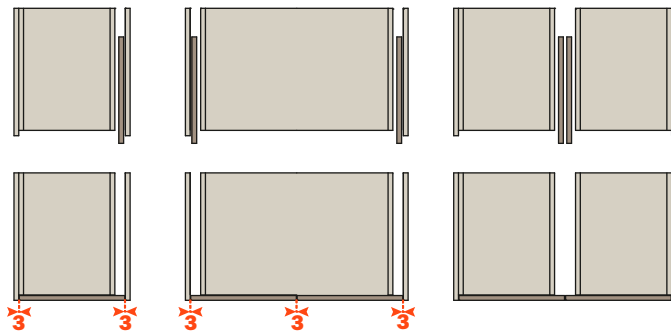
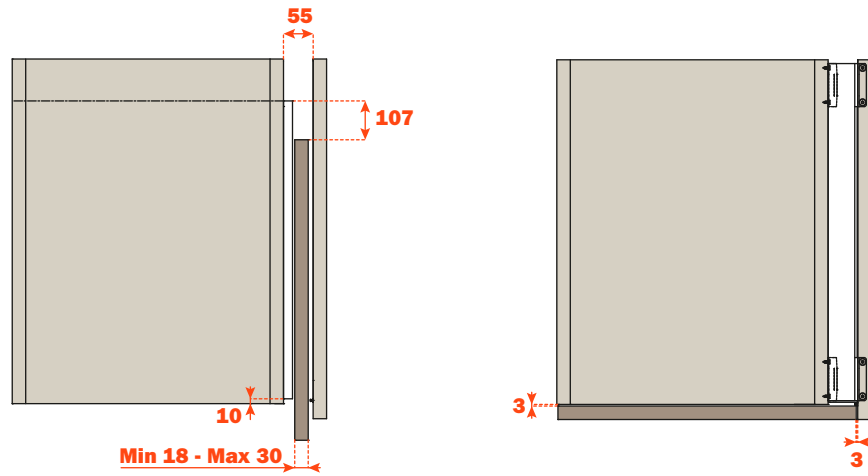
**LPS ≥ TL**



**LPU = TL**



# Exedra

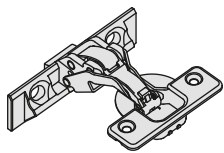


## Exedra • Standard

The mechanism is cut to size based to desired length and delivered partially assembled.

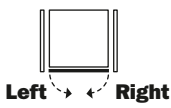
A cam-carriage connection (tab. 5) must be ordered together with the mechanism kit (tab. 2) according to the utilized depth of the cabinet structure (LPU) and the height of the door (TH). Refer to the installation manual for the assembly operations.

### Calculation of the min. structure dimensions

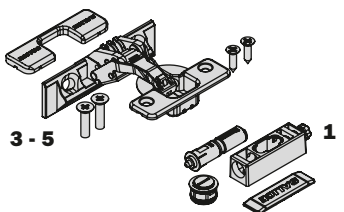
Usable structure depth (LPU - mm)															
		370 - 400		401 - 500		501 - 600		601 - 700		701 - 800		801 - 900			
Door height TH (mm)	Min	Max	Min	Max	Min	Max	Min	Max	Min	Max	Min	Max			
	1303	1575											2 x		<b>max 12 kg</b>
			1576	1726	1698	1787	1820	1909					3 x		<b>max 18 kg</b>
			1727	2121	1788	2182	1910	2243	2032	2304	2154	2365	4 x		<b>max 24 kg</b>
		2122	2800	2183	2800	2244	2800	2305	2800	2366	2800	5 x		<b>max 30/40 kg*</b>	

\* Doors can weigh up to 40 kg max only with a 700 mm max door width

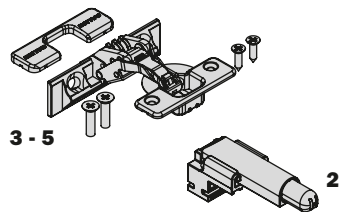
### Mechanism kit – STANDARD (tab 2)

Part number		Door height TH (mm)
<b>YE55CAD2500NW</b>	Right	1303* - 2800
<b>YE55CAS2500NW</b>	Left	* TH min. with rollers 1359

### Push kit


	Part number	Kit composition
	<b>YE55KITCP010AB</b>	5 Push Hinges + 1 Nickel-plated Release device
	<b>YE55KITCP010TB</b>	5 Push Hinges + 1 Titanium Release device
	<b>YE55KITCP030AB</b>	3 Push Hinges + 1 Nickel-plated Release device
	<b>YE55KITCP030TB</b>	3 Push Hinges + 1 Titanium Release device

### Smove kit

	Part number	Kit composition
	<b>YE55KITCS010AB</b>	5 CA Hinges + 2 Nickel-plated Smove
	<b>YE55KITCS010TB</b>	5 CA Hinges + 2 Titanium Smove
	<b>YE55KITCS030AB</b>	3 CA Hinges + 2 Nickel-plated Smove
	<b>YE55KITCS030TB</b>	3 CA Hinges + 2 Titanium Smove

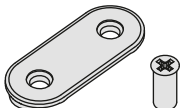
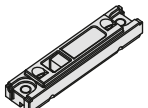
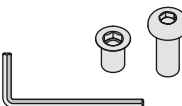

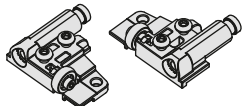
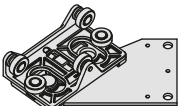
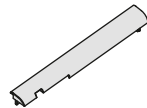
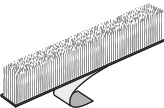
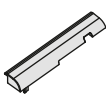
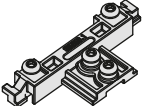

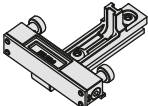
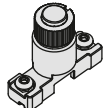
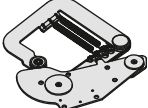
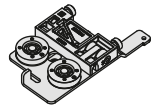
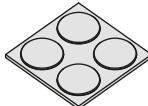
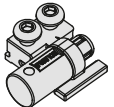
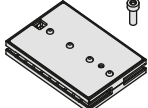
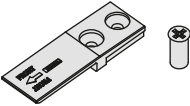




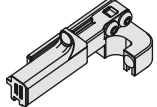

CA = self-close hinge

### Cam-carriage connection (tab 5)

	Part number	Usable structure depth (LPU - mm)
	<b>YE55KIT0100</b>	370 - 400
	<b>YE55KIT0101</b>	401 - 500
	<b>YE55KIT0102</b>	501 - 600
	<b>YE55KIT0103</b>	601 - 700
	<b>YE55KIT0104</b>	701 - 800
	<b>YE55KIT0105</b>	801 - 900



## System components

	<b>n° 9</b> Locating clips <b>n° 18</b> Euroscrews 6.3 x 14		<b>n° 4/5</b> Mounting plates
	<b>n° 2</b> Threaded inserts M6 x 13 <b>n° 2</b> Screws M6 20 UNI 7380 <b>n° 1</b> Allen key		<b>n° 1</b> Mechanism connecting support profile
	<b>n° 1 + n° 1</b> Door extraction dampers		<b>n° 2</b> Vertical carriages
	<b>n° 1</b> Upper front cover		<b>2.5 mt</b> Dust protection brush
	<b>n° 1</b> Lower front cover		<b>n° 2</b> Central profile connectors
	<b>n° 2</b> Spare springs		<b>n° 1</b> Lower horizontal carriage
	<b>n° 2</b> Door positioning supports		<b>n° 2</b> Door extraction and insertion mechanisms
	<b>n° 1</b> Upper horizontal carriage		<b>n° 1</b> Spacers
	<b>n° 1</b> Door insertion stopper		
	<b>n° 1</b> Magnetic buffer for soft insertion		
	<b>n° 5</b> Positioning stops <b>n° 10</b> Screws 6.3 x 14		<b>n° 1</b> Central profile
	<b>n° 1</b> Upper track		<b>n° 1</b> Mechanism profile connecting
	<b>n° 1</b> Lower track		<b>n° 1</b> Rear bumper
	<b>n° 1</b> Door fixing profile		

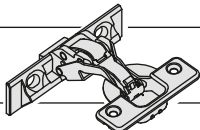
## Exedra - Partially assembled

### Partially-assembled systems.

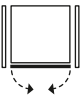
The partly-assembled Exedra system can be supplied in two versions: for doors with height from 1930 to 2230 mm or from 2231 to 2530 mm. Depth between 501 and 700 mm. After the identification of the version, the customer must cut to size the upper and the lower tracks, assemble the cams and install everything on the cabinet.

The locating clips and positioning stops ensure a fast and secure assembly and removal from the cabinet without the need to access the side of the cabinet.

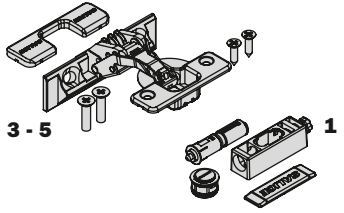
### Calculation of the min. structure dimensions

Usable structure depth (LPU - mm)							
501 - 600		601 - 700					
Min	Max	Min	Max				
Door height TH (mm)	1930	2230	1930	2230	4 x	max 24 kg	
	2231	2530	2231	2530	5 x	max 30 kg	

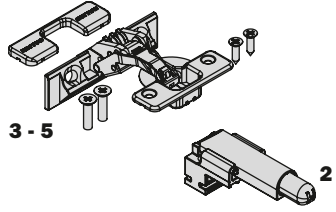
### Mechanism kit – STANDARD PARTIALLY ASSEMBLED

Part number	Left  Right	Usable structure depth (LPU - mm)	Door height TH (mm)
YE55CMD2200NW	Right	501 - 700	1930 - 2230
YE55CMS2200NW	Left		
YE55CMD2500NW	Right	501 - 700	2231 - 2530
YE55CMS2500NW	Left		

### Push kit

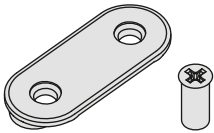
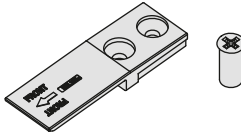
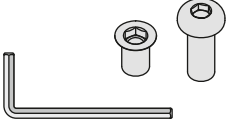
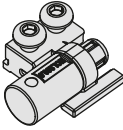
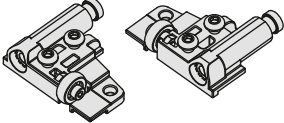
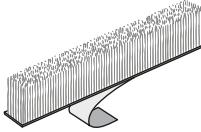
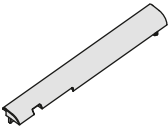
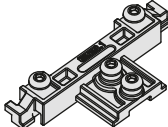
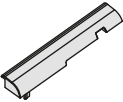
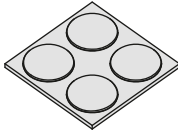
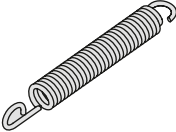


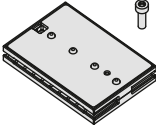
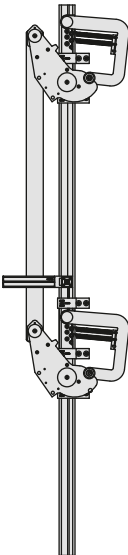


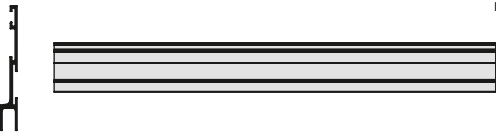
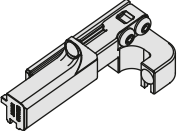
	Part number	Kit composition
	YE55KITCP010AB	5 Push Hinges + 1 Release device • Nickel-plated
	YE55KITCP010TB	5 Push Hinges + 1 Release device • Titanium
	YE55KITCP030AB	3 Push Hinges + 1 Release device • Nickel-plated
	YE55KITCP030TB	3 Push Hinges + 1 Release device • Titanium

### Smove kit

	Part number	Kit composition
	YE55KITCS010AB	5 CA Hinges + 2 Smove • Nickel-plated
	YE55KITCS010TB	5 CA Hinges + 2 Smove • Titanium
	YE55KITCS030AB	3 CA Hinges + 2 Smove • Nickel-plated
	YE55KITCS030TB	3 CA Hinges+ 2 Smove • Titanium

CA = self-close hinge

## System components

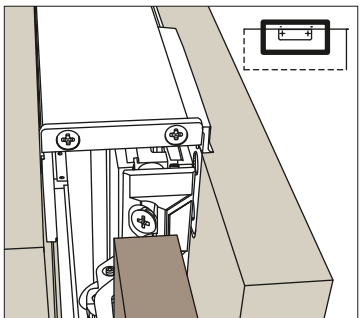
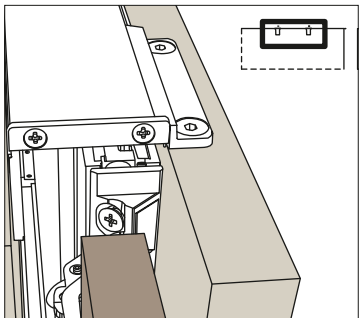
	<p><b>n° 9</b> Locating clips  <b>n° 18</b> Euroscrews 6.3 x 14</p>		<p><b>n° 5</b> Positioning stops  <b>n° 10</b> Screws 6.3 x 14</p>
	<p><b>n° 2</b> Threaded inserts M6 x 13  <b>n° 2</b> Screws M6 20 UNI 7380  <b>n° 1</b> Allen key</p>		<p><b>n° 1</b> Door insertion stopper</p>
	<p><b>n° 1 + n° 1</b> Door extraction dampers</p>		<p><b>3 mt</b> Dust protection brush</p>
	<p><b>n° 1</b> Upper front cover</p>		<p><b>n° 2</b> Central profile connectors</p>
	<p><b>n° 1</b> Lower front cover</p>		<p><b>N° 1</b> Spacers</p>
	<p><b>n° 2</b> Spare springs</p>		<p><b>n° 2</b> Cam connection plates</p>
	<p><b>n° 12</b> Fixing screws for connection plates  (screws M4 x UNI)</p>		
	<p><b>n° 1</b> Magnetic buffer for soft insertion</p>		
	<p><b>n° 1</b> Upper track</p>		
	<p><b>n° 1</b> Lower track</p>		
	<p><b>n° 1</b> Rear bumper</p>		





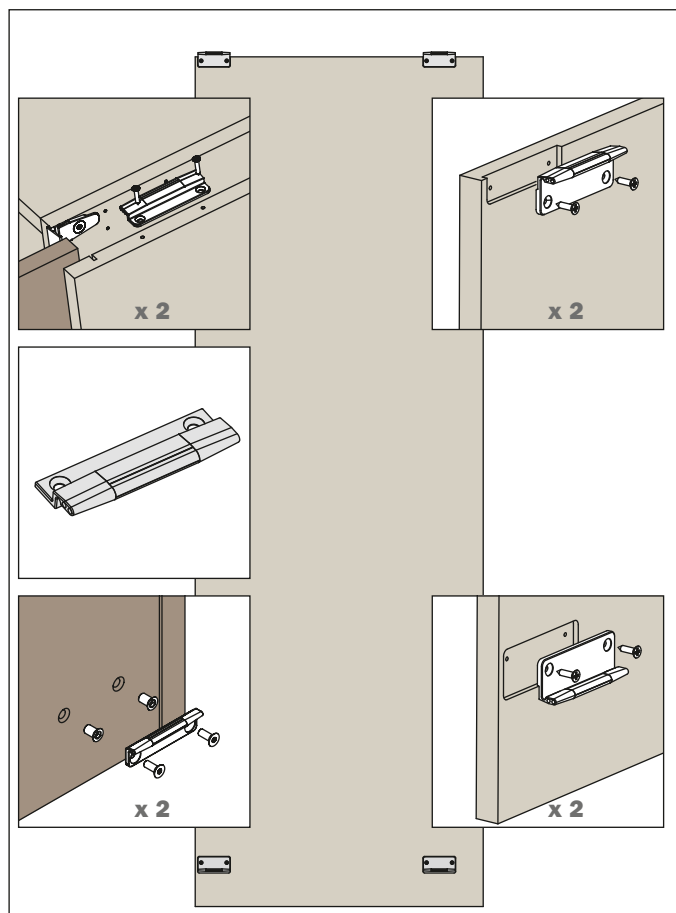
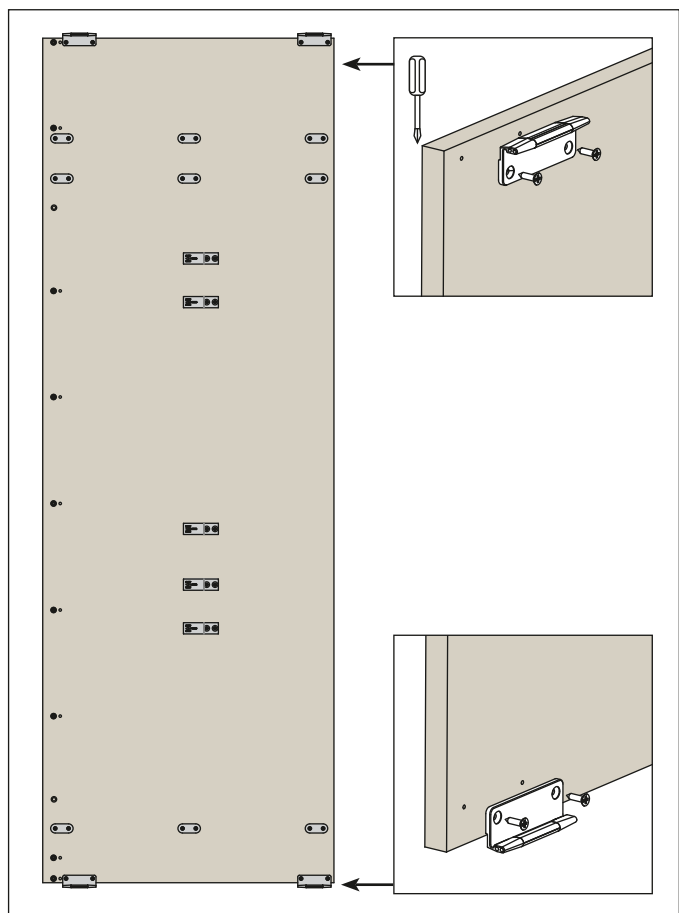
# Accessories

**Exedra - Accessories - Side panel connector kits - Single door**

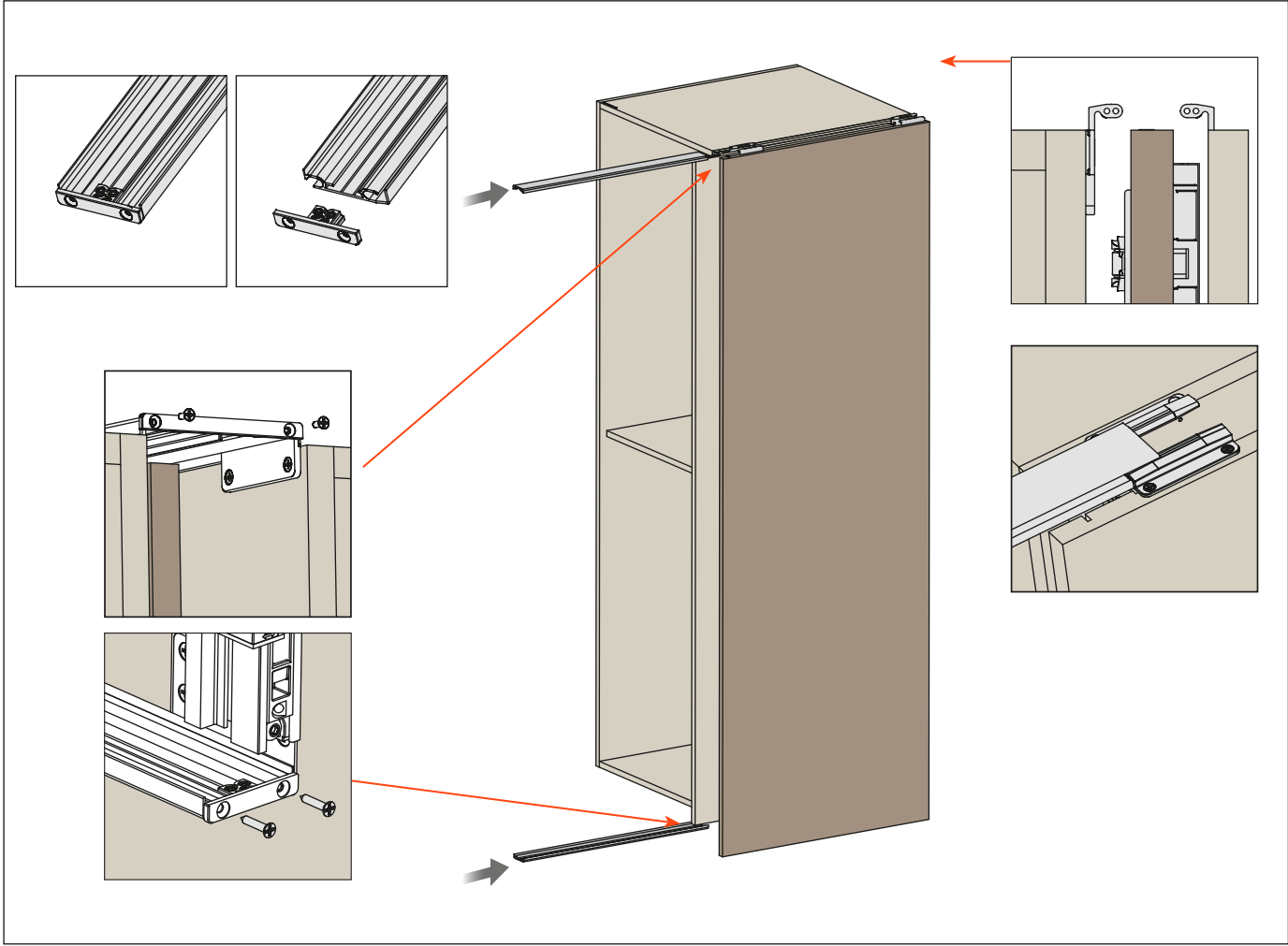
Version with milling	Part number	LPS (mm)	Version to be screw-fixed	Part number	LPS (mm)
	<b>YE55KIT0005</b>	400 - 650		<b>YE55KIT0001</b>	400 - 650
	<b>YE55KIT0006</b>	650 - 900		<b>YE55KIT0002</b>	650 - 900

Side fixing. Plates to install the upper and the lower cover.

Top fixing. Plates to install the upper and the lower cover.

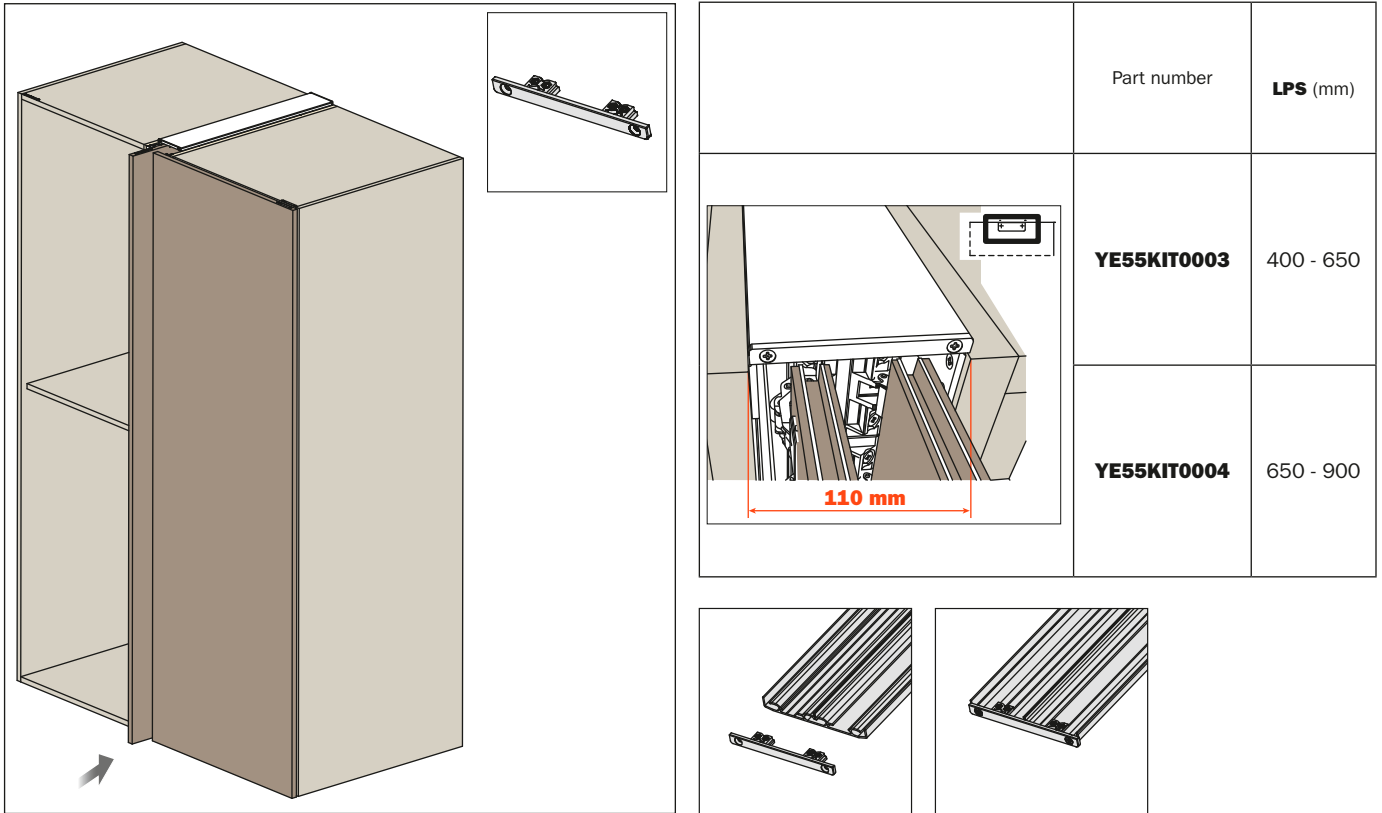


Cut the aluminum cover to length and slide it onto the clips.



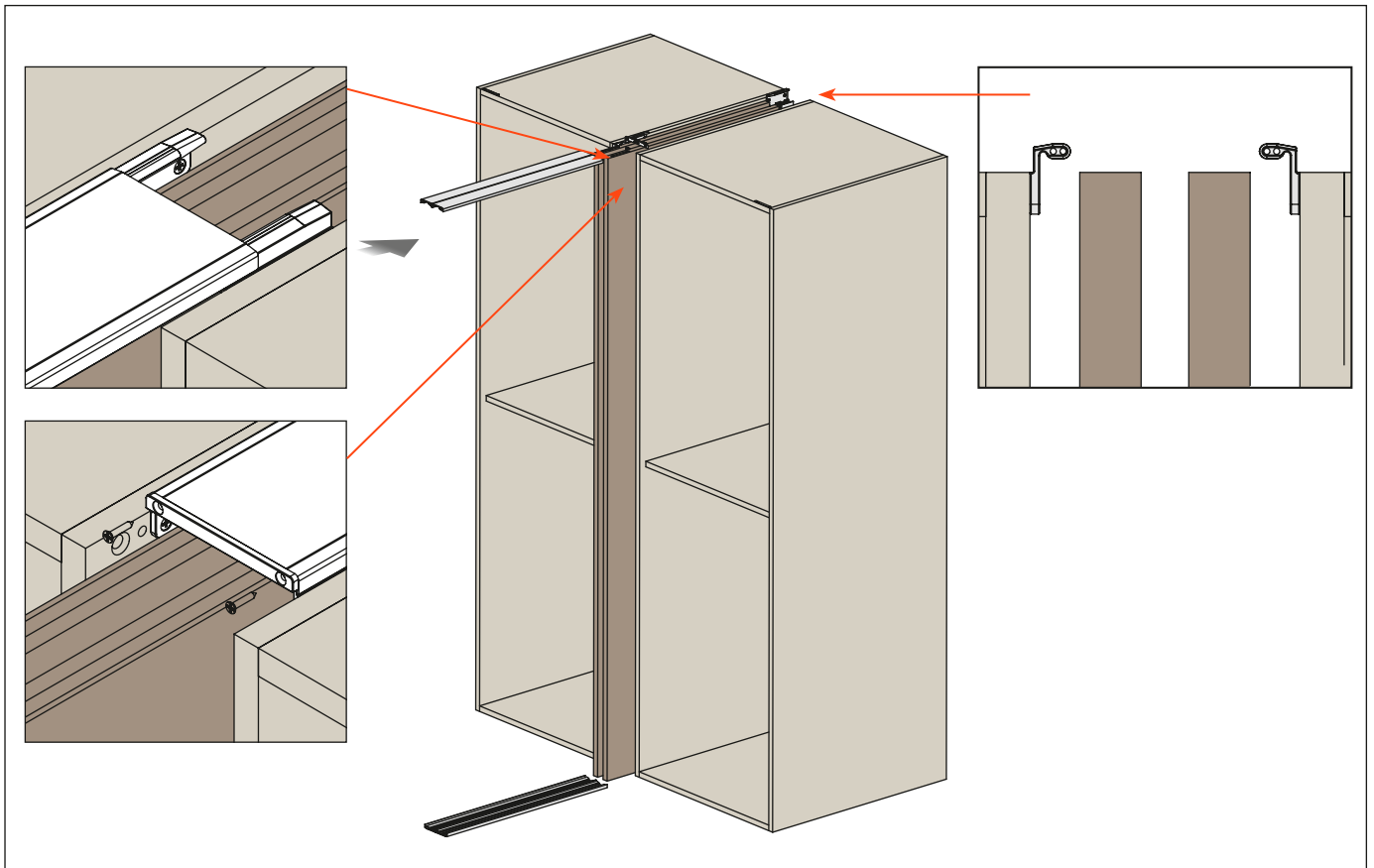
**Exedra - Accessories - Connector kits for double-pocket applications for 2 doors**

Screw-fix the supports to the cabinet side and insert the track for the doors in the front part of the profile. Cut to length and insert the profile.

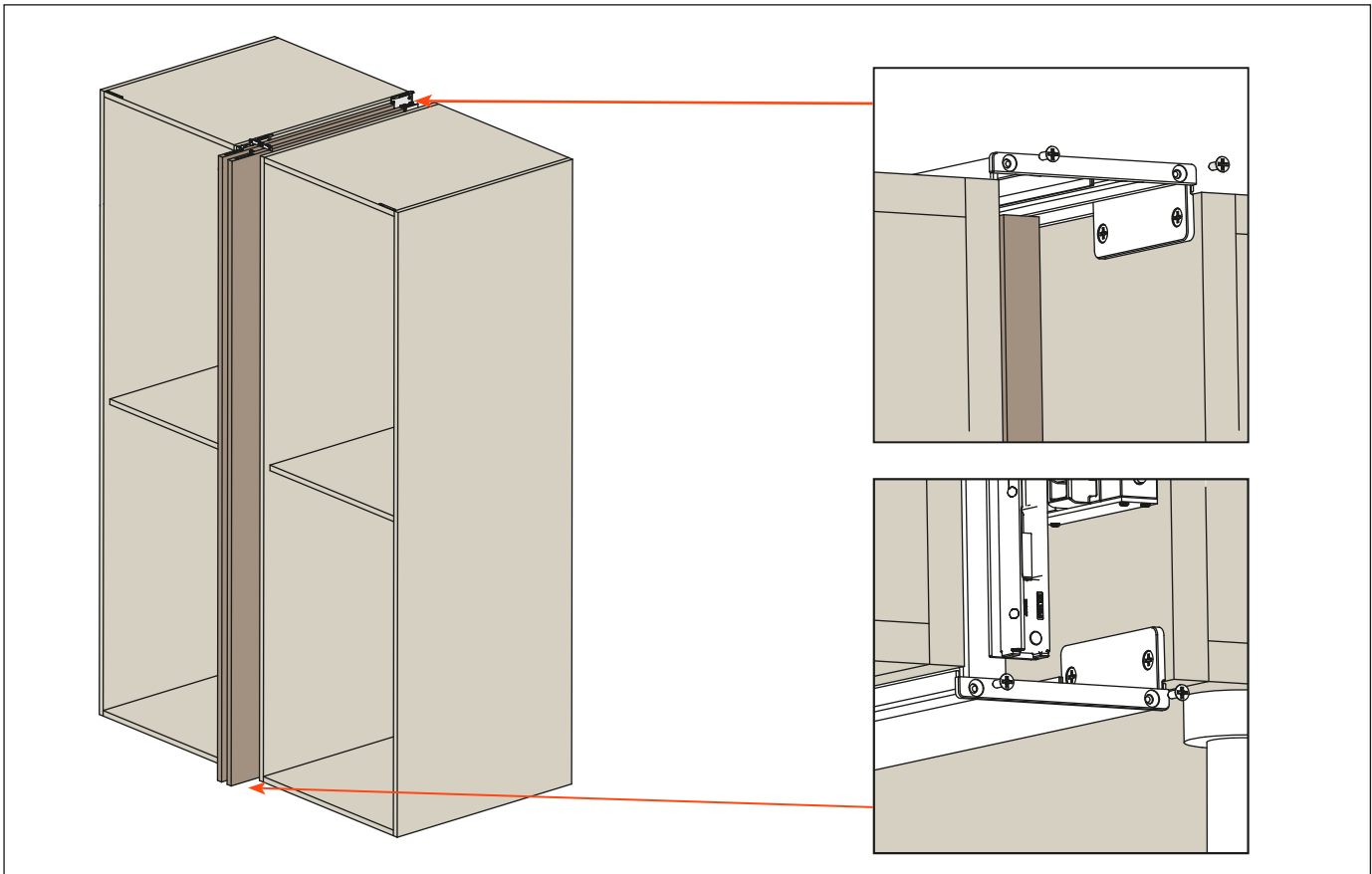


Part number	LPS (mm)
<b>YE55KIT0003</b>	400 - 650
<b>YE55KIT0004</b>	650 - 900

110 mm



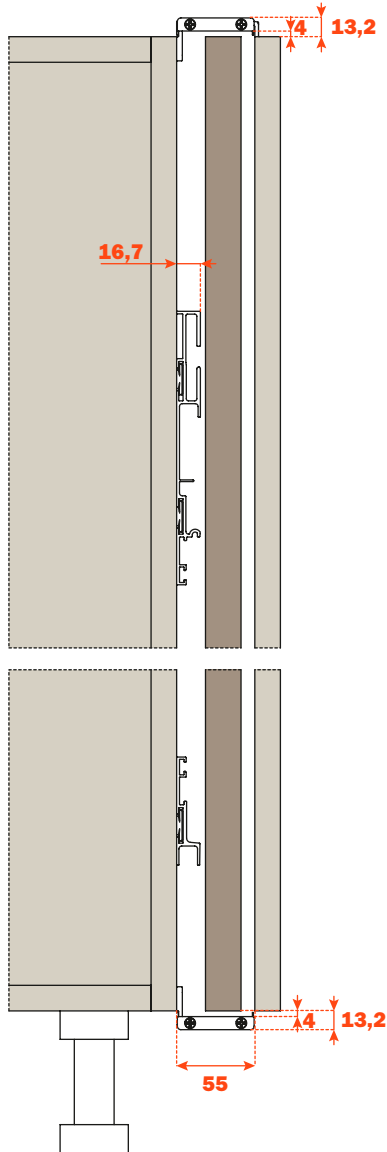




## Exedra - Types of assembly - 1 door

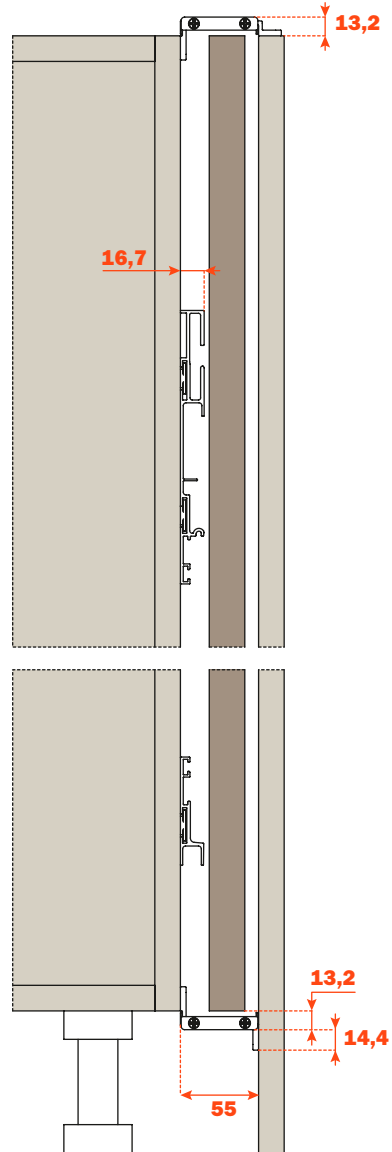
### Single door application

**Recess-mounted version**  
YE55KIT0005  
YE55KIT0006



### Single door application

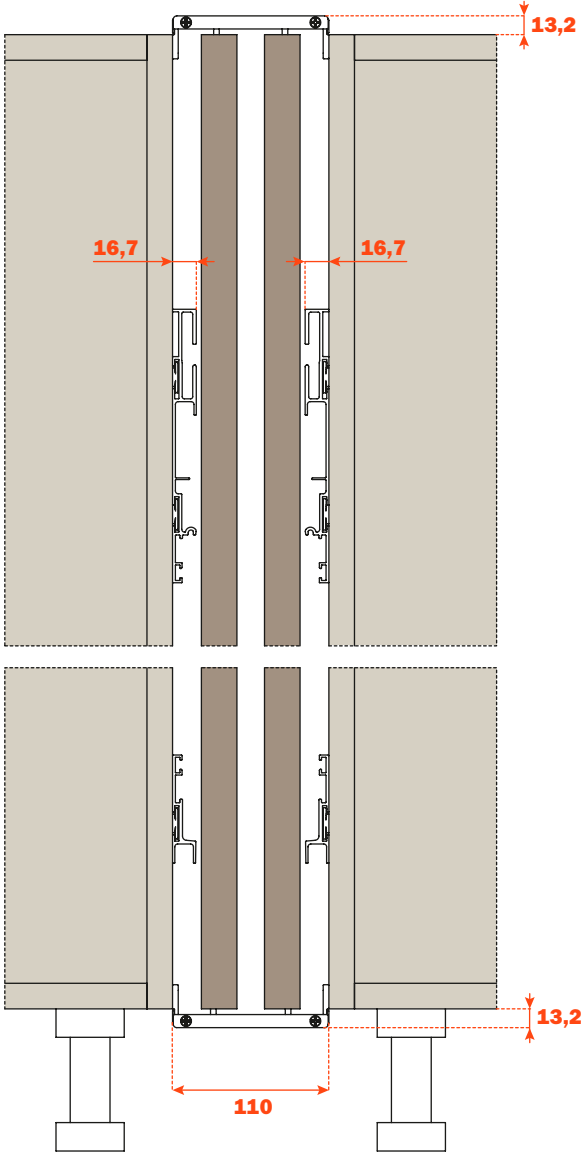
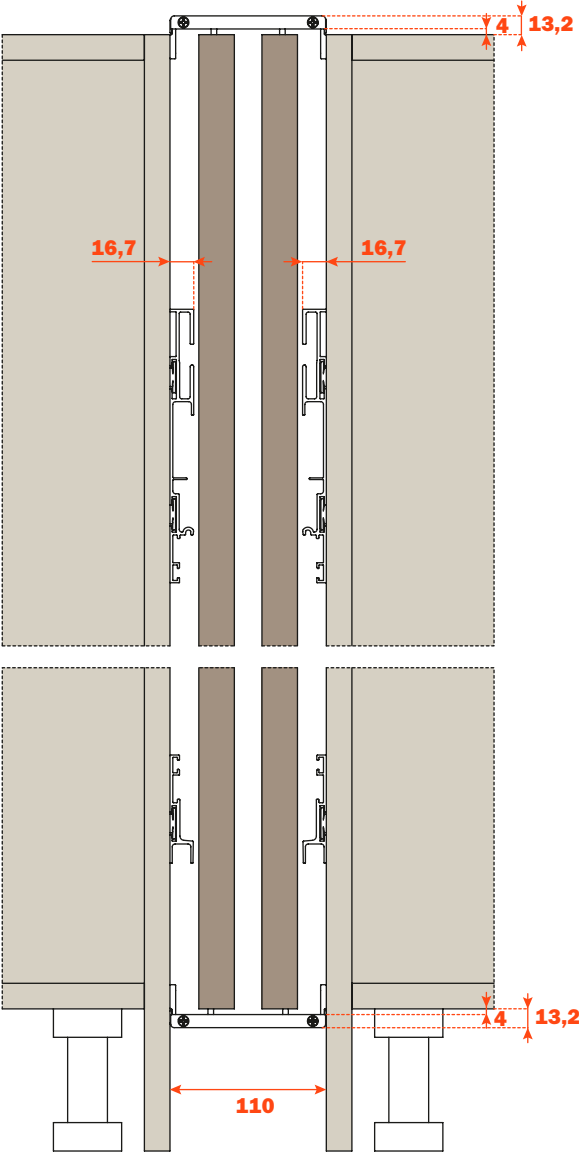
**Surface-mounted version**  
YE55KIT0001  
YE55KIT0002



# Types of assembly - 2 doors

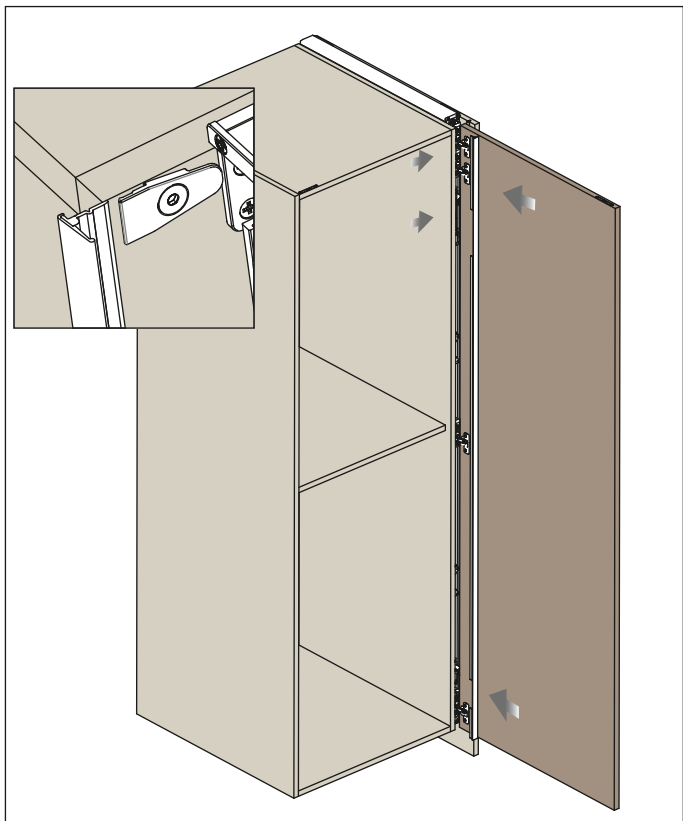
## Double doors application

Surface-mounted version  
YE55KIT0003  
YE55KIT0004



**Exedra - Accessories**

Front cover kit



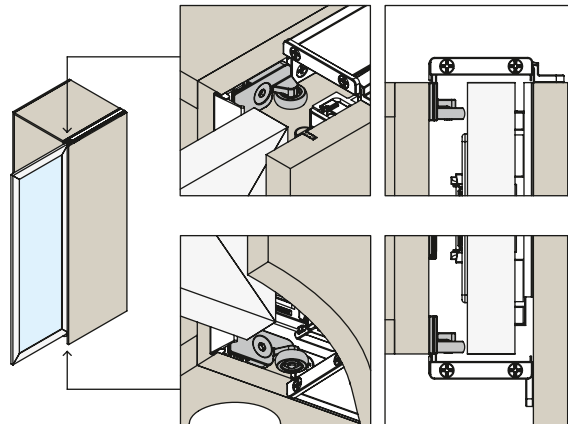
	Part number	L (m)	Colors
	<b>YE55KIT0201A</b>	2.6	
	<b>YE55KIT0202A</b>	2.6	
	<b>YE55KIT0203A</b>	2.6	

The use of the front cover kit is not possible for doors less than 1576 mm high and less than 430mm wide.

**Supplementary roller guide for aluminum-framed glass doors or 5 piece wood doors.**

The fixing of this component requires additional working. Please do not hesitate to consult our technical support department for assistance.

Part number	pcs.
<b>YE55KIT0040</b>	1





# Exedra2



# Exedra2



**Exedra2 Star** and **Exedra2 Smart** are evolutions of the Exedra system, which, thanks to an innovatively-engineered mechanism, enable the simultaneous movement of two linked doors. It is a patented mechanism with assisted door extraction and door insertion, operated by a magnetically-assisted motion-control system that confers a smooth and perfectly balanced movement.

Thanks to the motion-control system, the handle can be fixed at the edges of the doors, allowing effortless opening and closing with one hand. Furthermore, with the aid of the electric Push kit, it is possible to use both versions on handle-less furniture.

The whole mechanism is self-supporting and fixed to the side of the cabinet; there are no load-bearing front profiles on either the top or bottom of the cabinet, thus eliminating any need for additional central supports.

**Exedra2 Star** and **Exedra2 Smart** can be used in a host of application to enable a significant functional optimization of space, from walk-in wardrobes to pantries for kitchens, home office solutions and in storage applications.



**Exedra2 Star • Exedra2 Smart**



**Technical Information**

DOUBLE pocket door system with cam-assisted door extraction and cushioned door insertion.

Door characteristics:

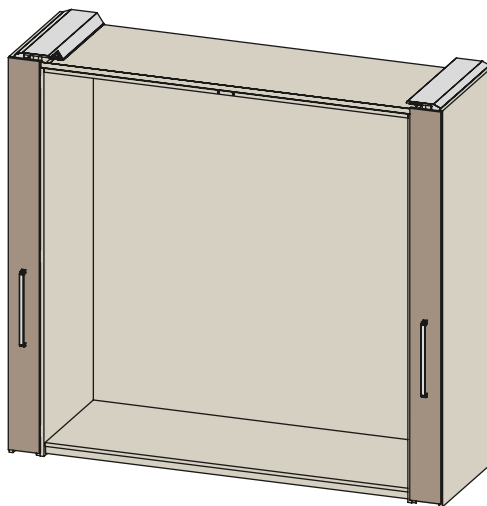
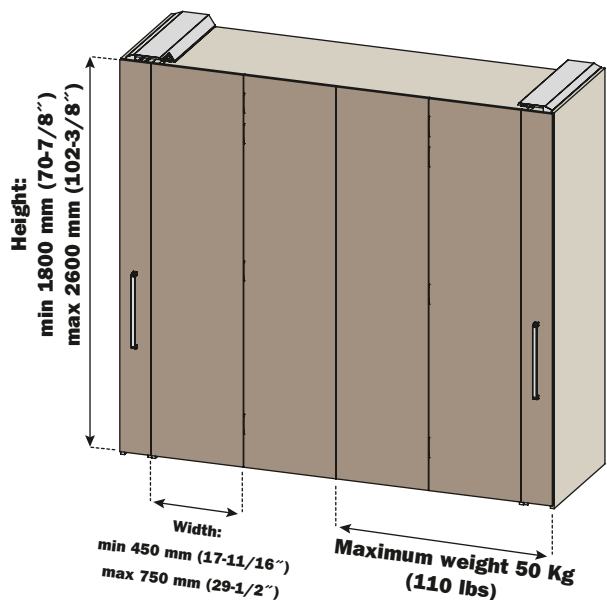
Adjustment:

- vertical adjustment  $\pm 5$  mm
- horizontal adjustment  $\pm 3.5$  mm
- front adjustment: - upper  $\pm 3$  mm
- lower  $\pm 2$  mm

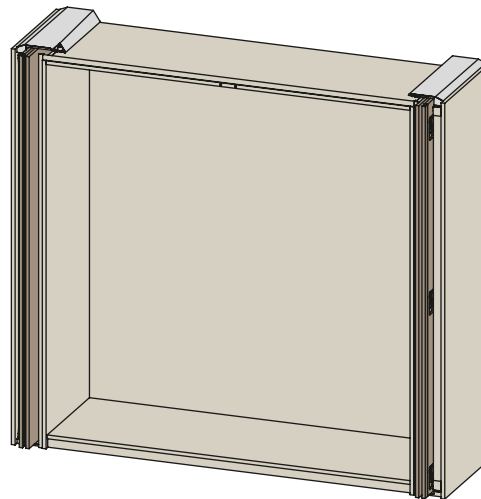
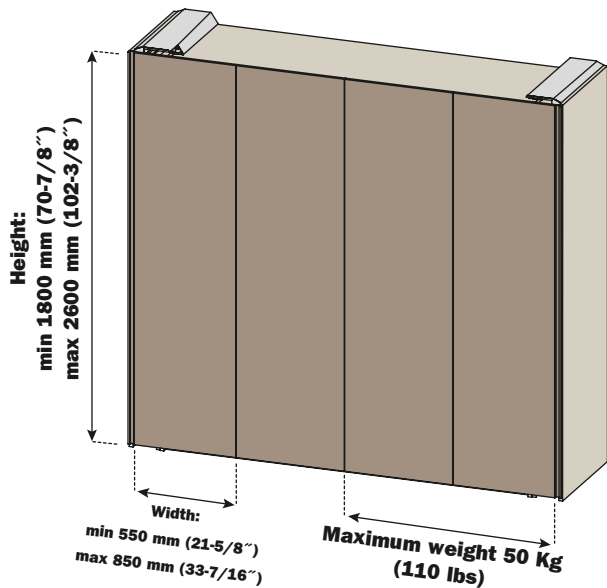
- Maximum weight for single door: 25 Kg (55 lbs)
- Doors thickness: min 18 mm (3/4") - max 25 mm (1")
- Width of single door – Exedra2 Star: min 450 mm (17-11/16") - max 750 mm (29-1/2")
- Width of single door – Exedra2 Smart: min 550 mm (21-5/8") - max 850 mm (33-7/16")
- Doors height: min 1800 mm (70-7/8") - max 2600 mm (102-3/8")

**Product available only upon request as a custom order**

**Exedra2 Star**

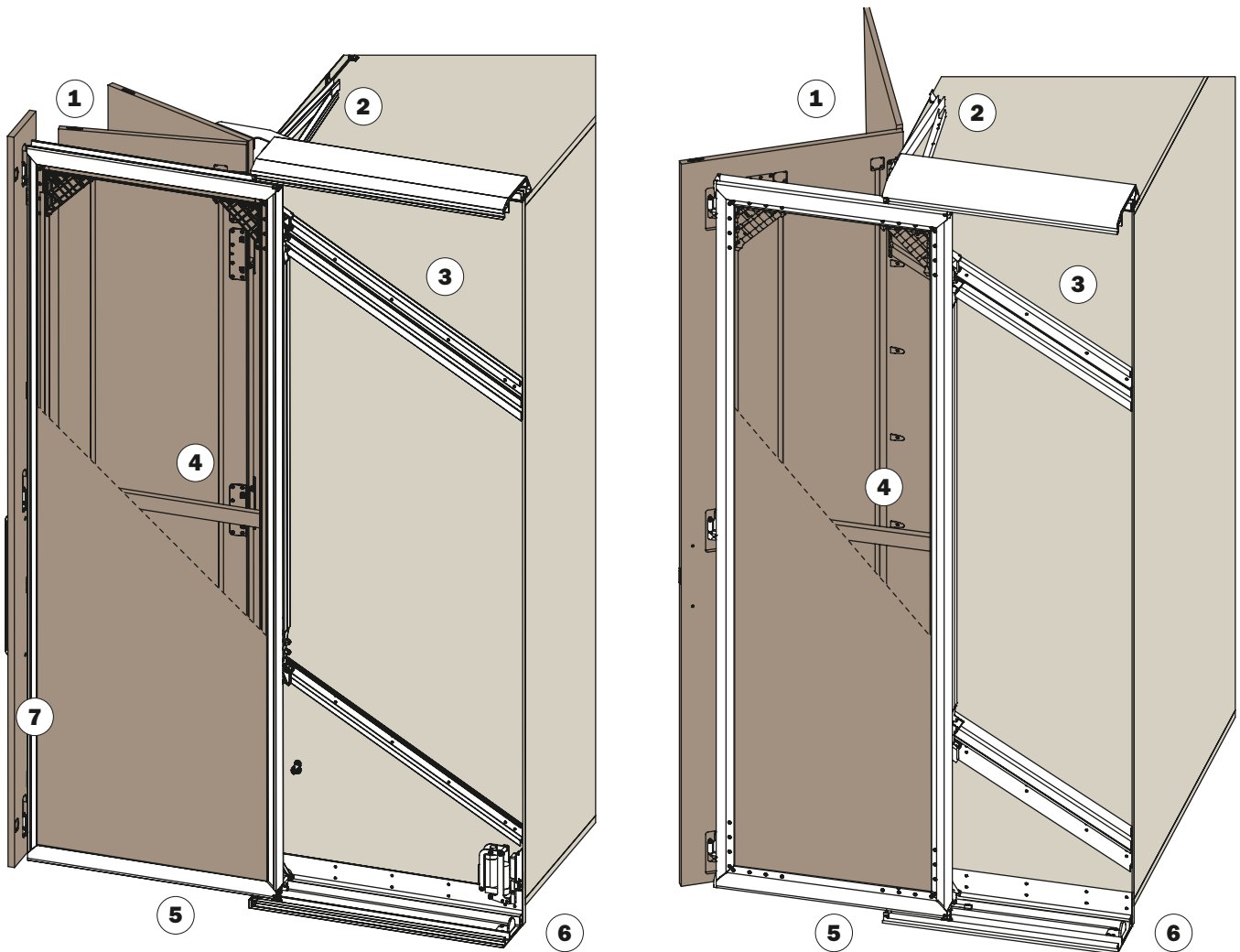


**Exedra2 Smart**

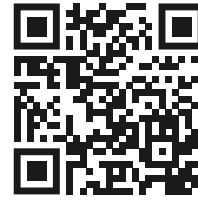




- 1** - Unique patented door opening system. The exterior surfaces of the doors are always protected during the opening and closing cycles.
- 2** - No load-bearing track on the top of the cabinet.
- 3** - Magnetic buffer for assisted cushioned doors insertion.
- 4** - Structural aluminum frame for doors movement.
- 5** - Front insertion of the load-bearing frame facilitating its installation in a wall recess.
- 6** - Side frame to support the lower load-bearing track. All the load is carried by the side panel. The track does not require ground support.
- 7** - Anti-crush device.

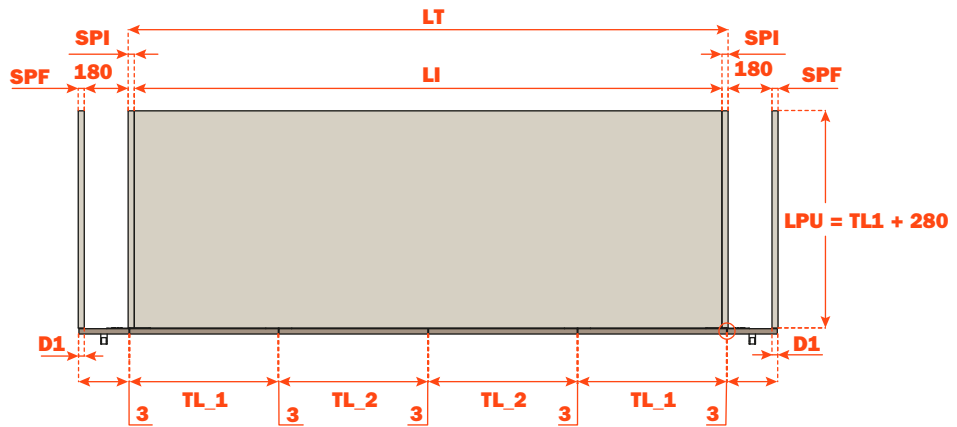
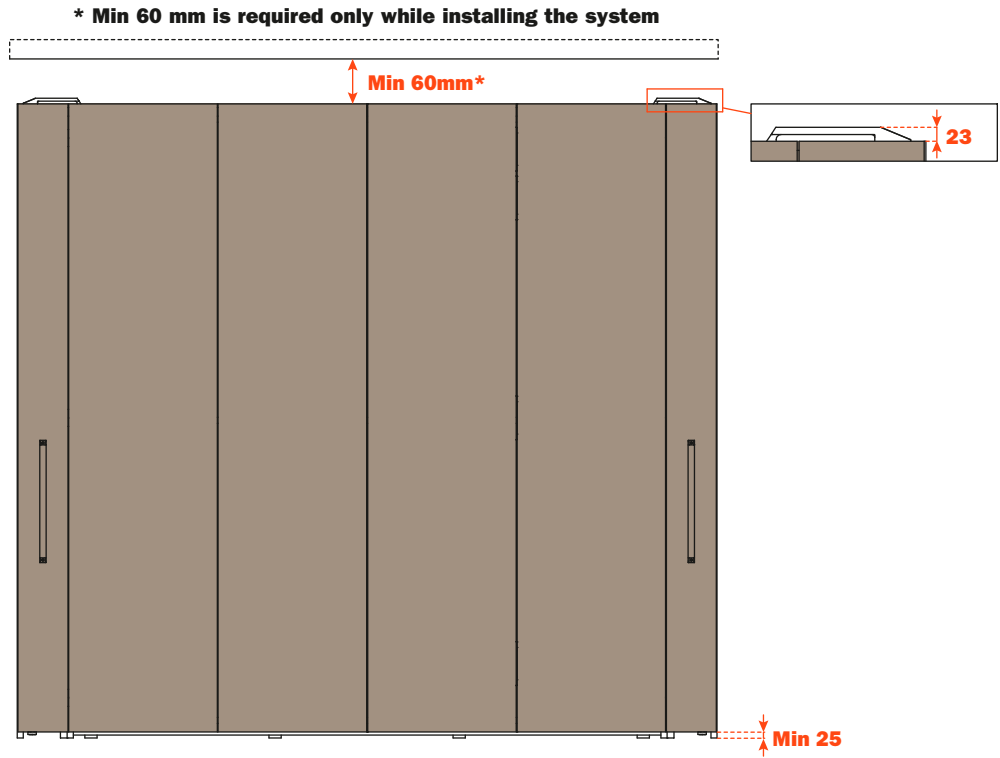
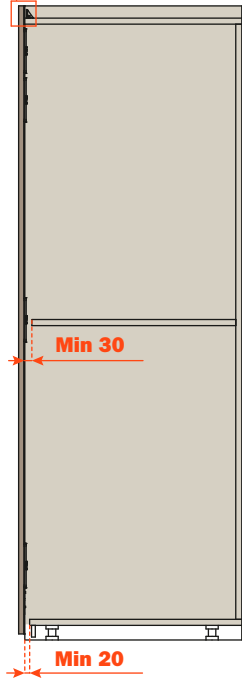
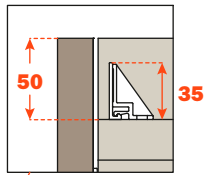


**Exedra2 Star**

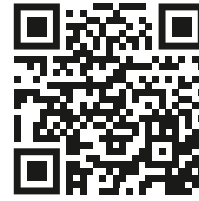


Assembly instructions and order form

- SPI** • Thickness of central panel
- SPF** • Thickness of side cover
- LPU** • Usable external depth of cabinet
- TL1** • Width of internal door
- TL2** • Width of external door
- D1** • Coverage on side cover

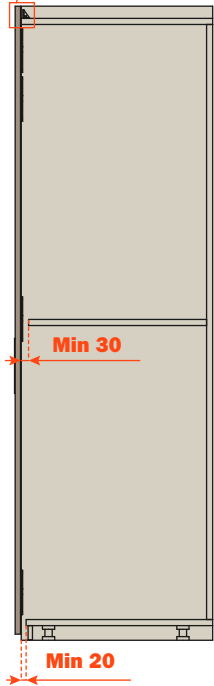
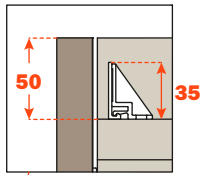


# Exedra2 Smart

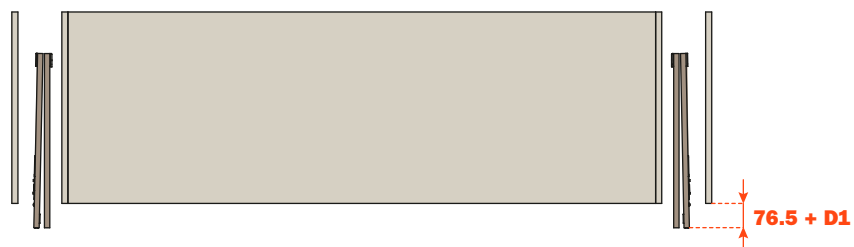
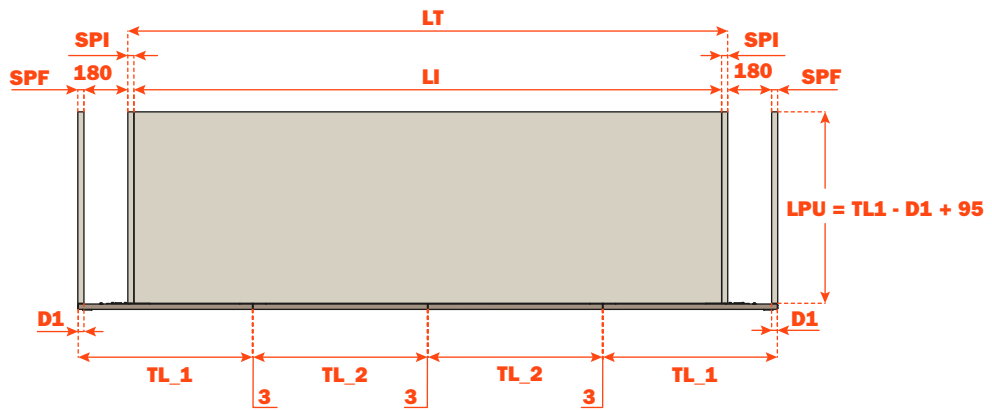
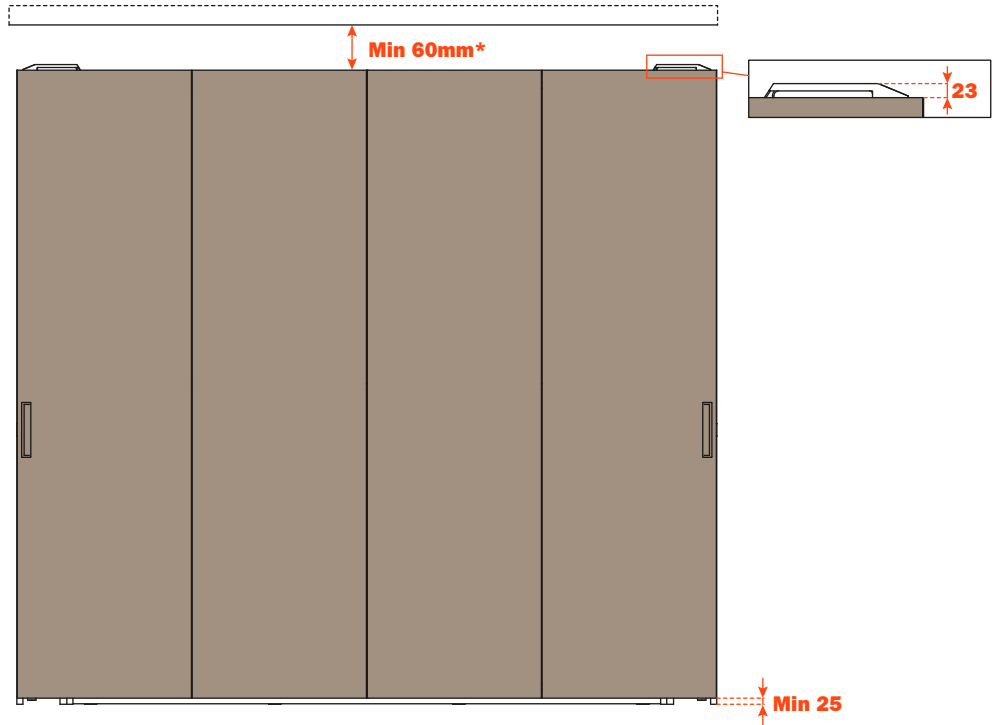


Assembly instructions and order form

- SPI** • Thickness of central panel
- SPF** • Thickness of side cover
- LPU** • Usable external depth of cabinet
- TL1** • Width of internal door
- TL2** • Width of external door
- D1** • Coverage on side cover



**\* Min 60 mm is required only while installing the system**



## Exedra2 Assembly and examples

The right mechanism and the left mechanism are independent of each other, therefore it is possible to order them individually. If they are installed on the same cabinet, they must be configured as a pair.

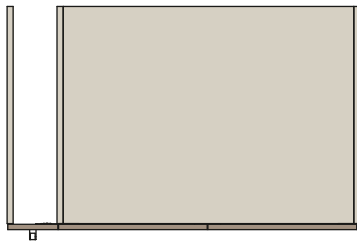
**Exedra2 Star** is the version where the compartment that houses the mechanism is always hidden by the cover panel which is fixed to the front of the system.

**Exedra2 Smart** is the version that requires less depth of the cabinet; the door edges are visible when they are folded into their compartment. Both versions are available with the electric Push kit for the opening of handle-less furniture.

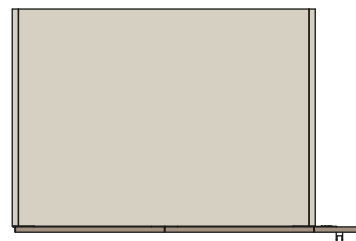
---

**Exedra2 Star** is the version where the compartment that houses the mechanism is always hidden by the cover panel which is fixed to the front of the system.

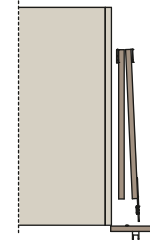
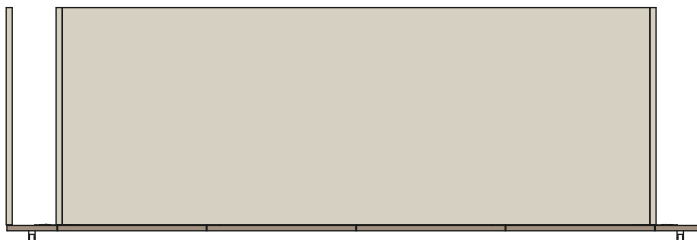
**Single door, left mechanism**



**Single door, right mechanism**



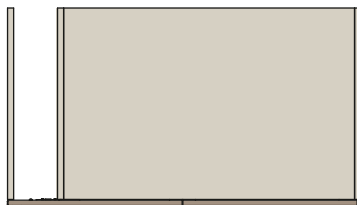
**Double doors, pair of mechanism (left and right)**




---

**Exedra2 Smart** is the version that requires less depth of the cabinet; the door edges are visible when they are folded into their compartment.

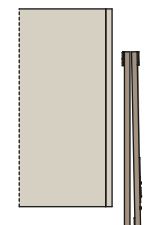
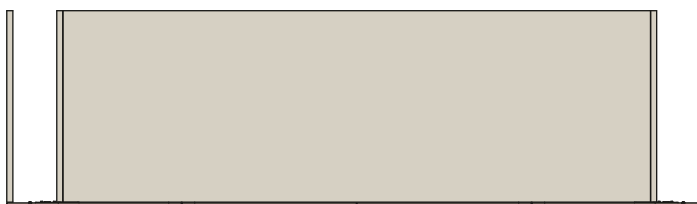
**Single door, left mechanism**



**Single door, right mechanism**



**Double doors, pair of mechanism (left and right)**



The Exedra2 system is the ideal mechanism in a host of applications. The absence of a front lower track makes it adaptable to any application, from traditional cabinets to walk-in wardrobes.

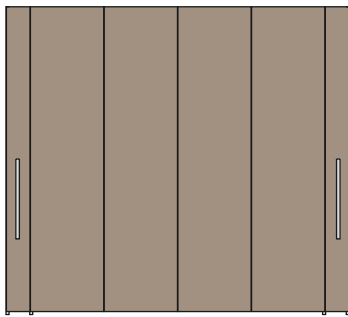
The system does not necessarily have to be placed on the floor, therefore it is possible to create systems raised from the ground or placed on a cupboard or a chest of drawers.

Thanks to the innovative door movement system with its moving load-bearing frame, the weight of the system and the doors is carried solely by the side of the cabinet; the system places no load on the top of the cabinet. As a result, double systems with an enormous free internal span of 3000 mm are possible without requiring a central panel or support.

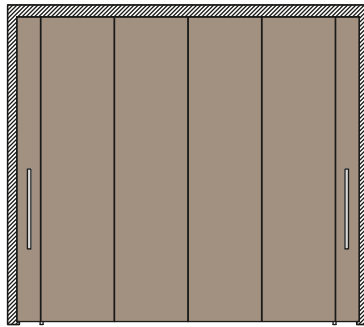
---

### Exedra2 Star

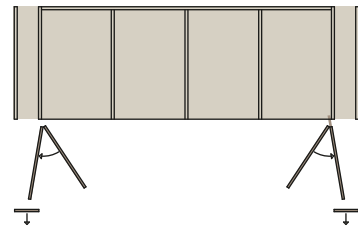
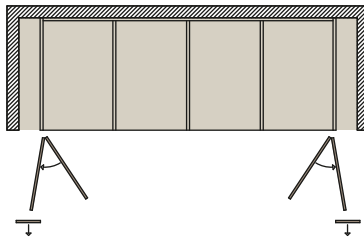
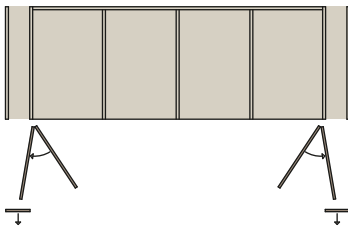
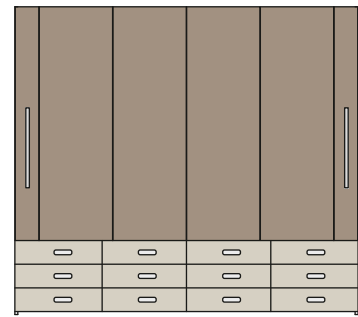
**Traditional**



**In wall recess**



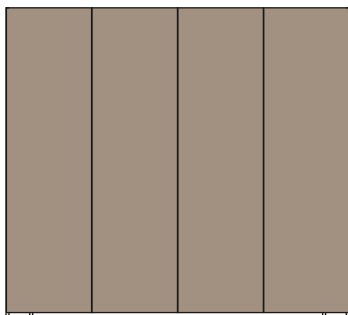
**Raised from the ground**



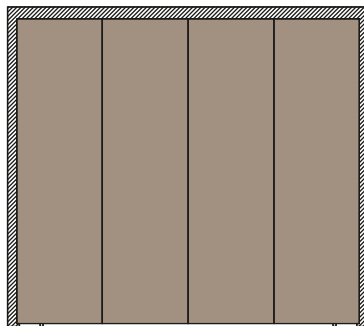
---

### Exedra2 Smart

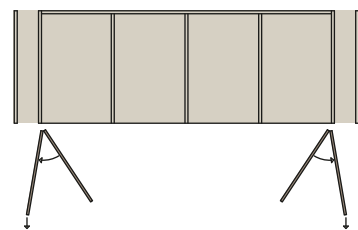
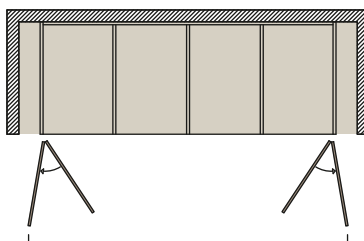
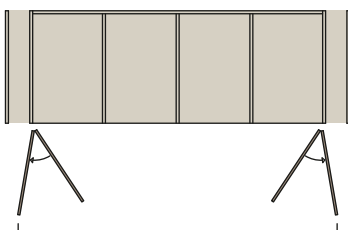
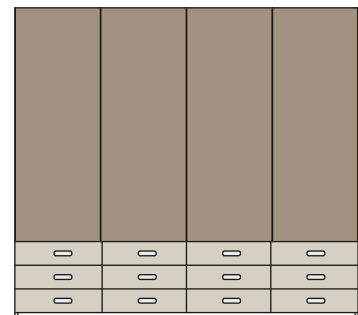
**Traditional**



**In wall recess**



**Raised from the ground**







**Optional**

## Exedra2

### Magnets kit to protect doors.

It keeps the minimum distance between the doors as they fold and prevents accidental collision between the doors in case of improper use of the mechanism.

4x	4x	8x	<b>Part number</b>	
			YE56KIT0001	Magnets kit to protect doors

### Smove kit for internal door.

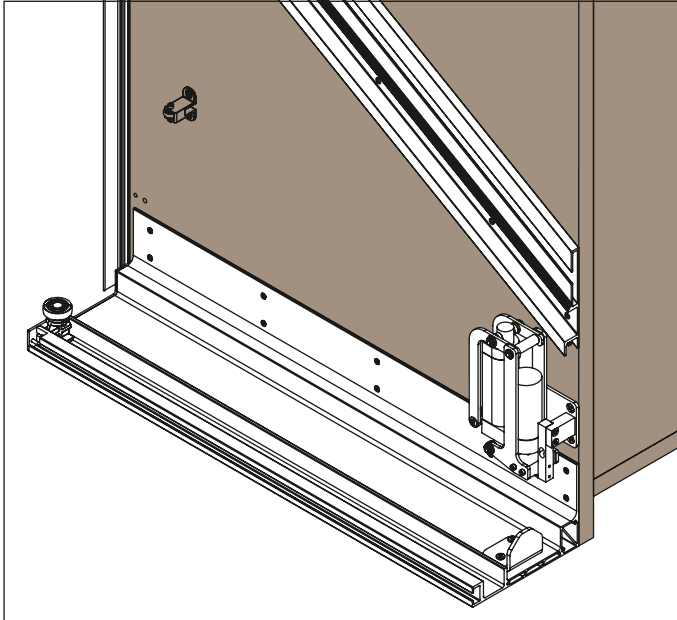
It prevents any impact and/or contact between the internal door and the top of the cabinet during the closing movement.

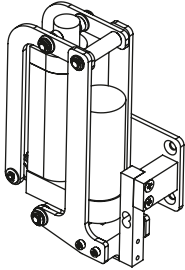
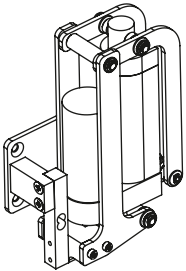
	<b>Part number</b>	
2x	YE56KIT0002	Smove kit for internal door



### Electric Push kit.

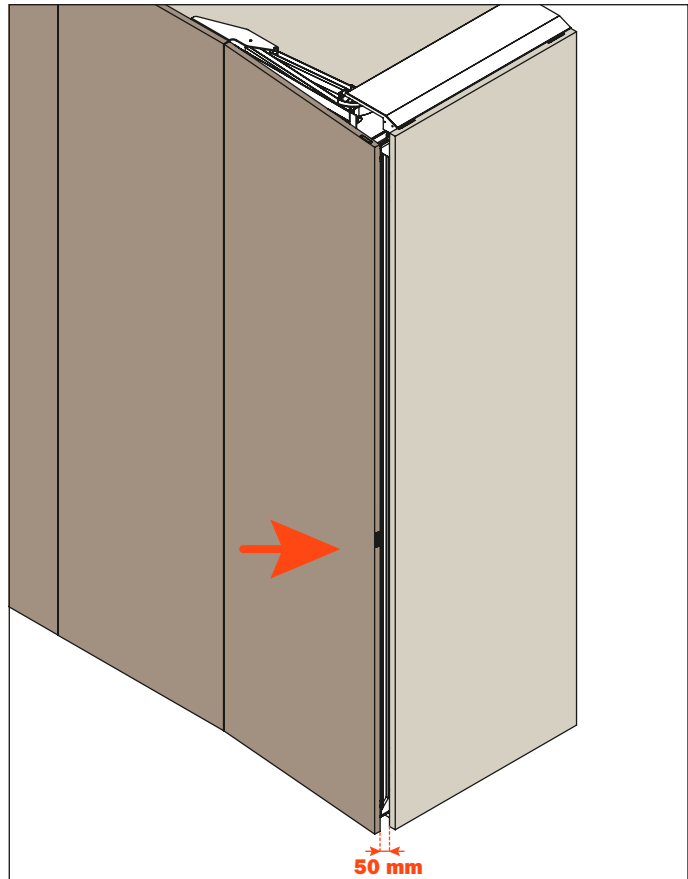
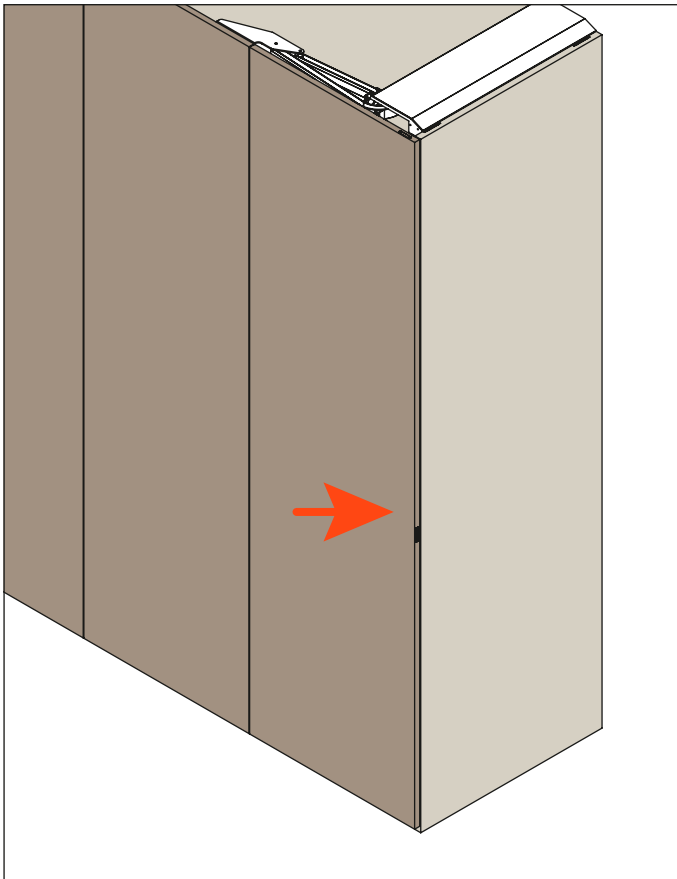
It converts an Exedra2 mechanism from manual to power-assisted opening.



	Part number	
	YE56EPP0012	Electric Push kit right cabinet side
	YE56EPP0022	Electric Push kit left cabinet side

### Mode of operation.

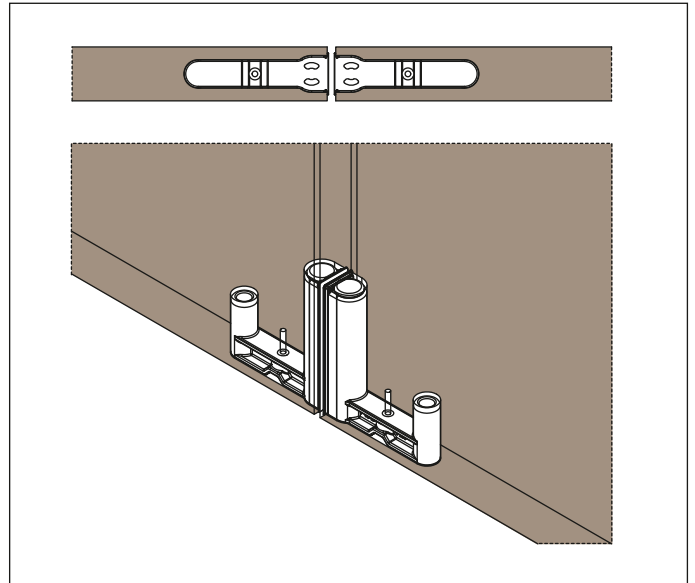
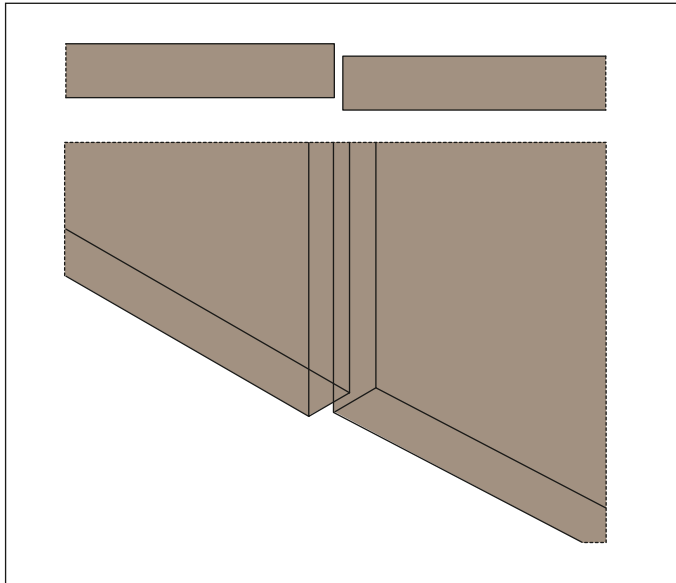
A slight pressure on the external door or on the cover panel activates the electrical system and the door moves outwards by approx. 50 mm. At this point, the opening operation is completed manually. If the opening operation is not completed manually, the external door automatically returns to the fully-closed position after a 10 seconds interval.

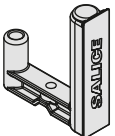


## Exedra2

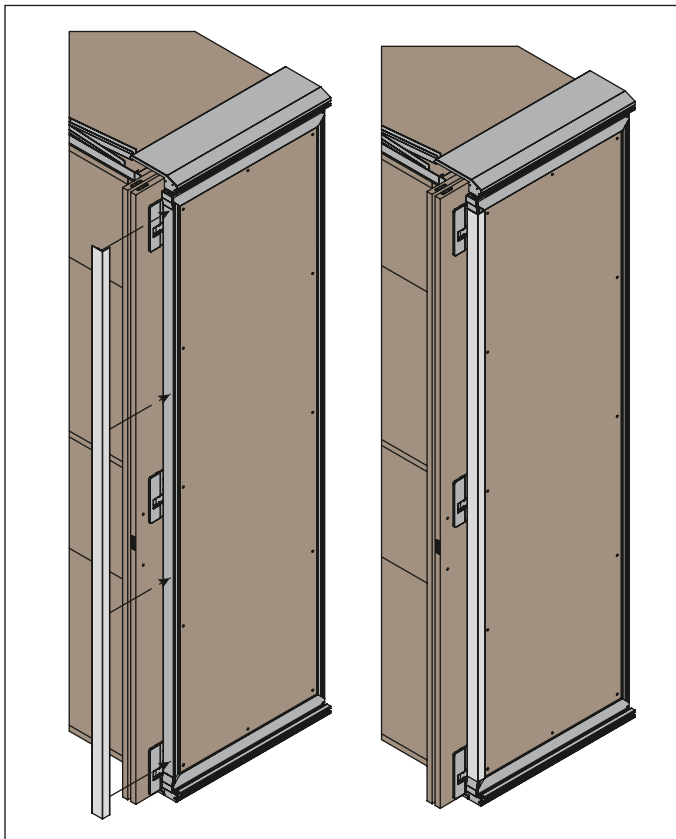
### Doors alignment kit.

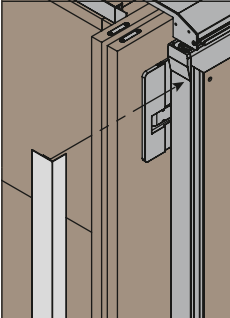
It aligns the doors of a paired Exedra2 (right + left) system.

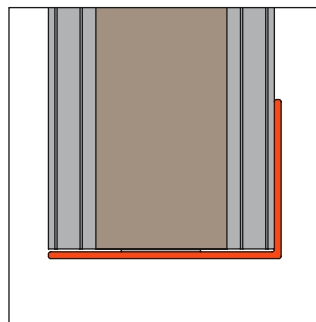


	Part number	
	YE56KIT0003	Doors alignment kit

### Frame cover for Exedra2 Smart



	Part number	
	YE56KIT0200A7	Frame cover <b>can be coated by the customer</b> L=2600 mm
	YE56KIT0200S7	Frame cover <b>metal grey</b> L=2600 mm





**SALICE AMERICA INC.**

2123 CROWN CENTRE DRIVE  
CHARLOTTE NC. 28227  
TEL. 704 841 7810  
FAX. 704 841 7808  
info.salice@saliceamerica.com  
www.saliceamerica.com

**SALICE CANADA INC.**

3500 RIDGEWAY DRIVE, UNIT#1  
MISSISSAUGA, ONTARIO, L5L 0B4  
TEL. 905 820 8787  
FAX. 905 820 7226  
info.salice@salicecanada.com  
www.salicecanada.com