



EvoLift

SALICE

Index



Flap door

Assembly instructions
Part number composition and packing
Part number composition and packing - Push
Charts to select the strength of the system

page 8
page 16
page 20
page 24



Folding door

Assembly instructions
Part number composition and packing
Charts to select the strength of the system

page 30
page 38
page 40



Parallel opening door - for doors from 360 mm to 440 mm height and for doors from 440 mm to 600 mm height

Assembly instructions
Part number composition and packing
Chart to select the strength of the system

page 44
page 54
page 56



Swing opening door

Assembly instructions
Part number composition and packing
Charts to select the strength of the system

page 60
page 68
page 70



EvoLift • Opening systems
Flap door

EvoLift - Opening systems - Flap door





EvoLift - Opening systems - Flap door
Assembly instructions

Drilling pattern for wooden door.

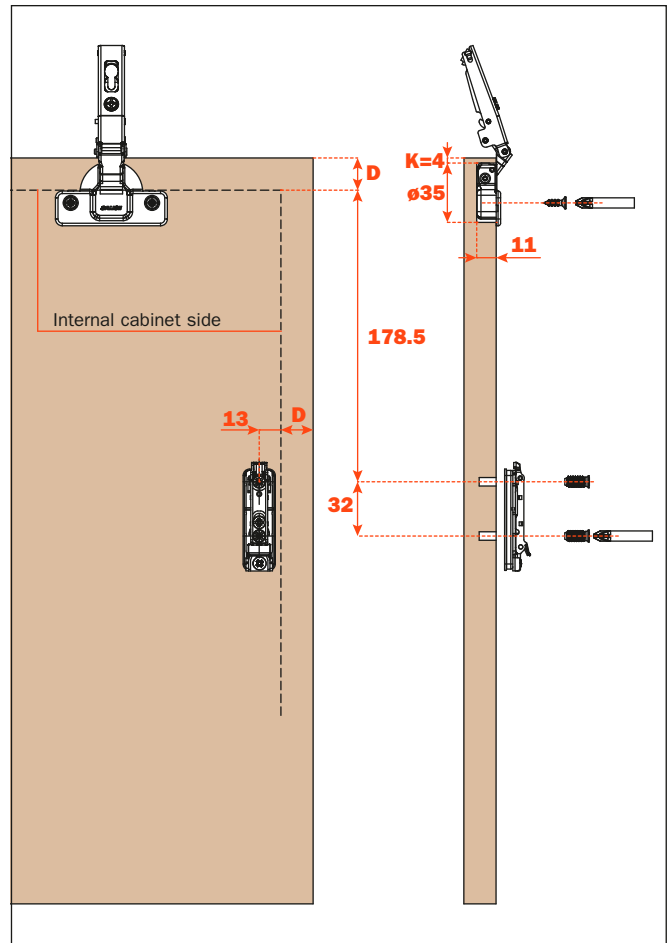
Hinges for doors with soft-close and handles **C2_6A99**

Hinges for doors with Push opening
C2_PA99 (Push hinges) for a more decisive opening
C2_4A99 (unsprung hinges) for a softer opening

Available fixing systems for the hinge cup:

- A** = wood screw fixing, 48x6 mm drilling
- P** = wood screw fixing, 45x9.5 mm drilling
- U** = wood screw fixing, 52x5.5 mm drilling
- B** = dowel fixing, 48x6 mm drilling
- R** = dowel fixing, 45x9.5 mm drilling
- W** = dowel fixing, 52x5.5 mm drilling

D = sideways and upper overlay



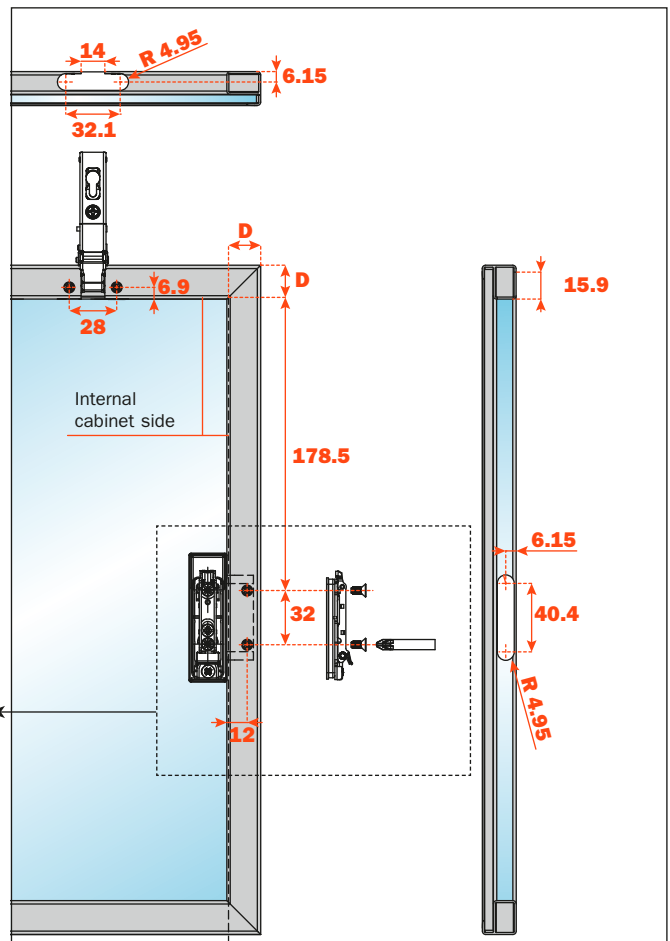
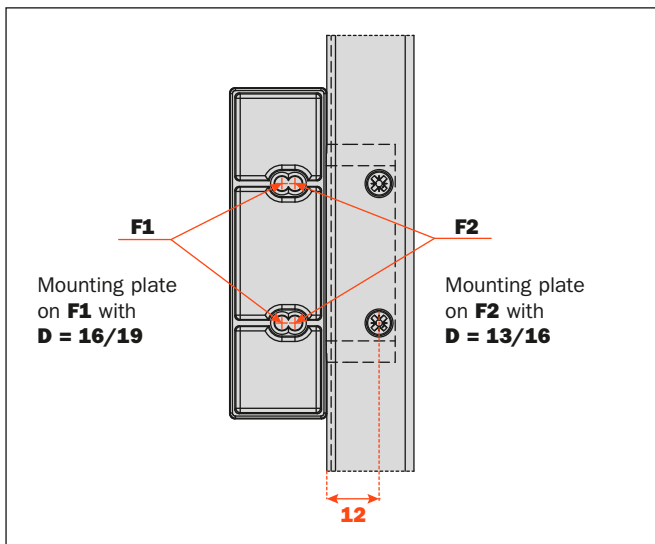
Drilling pattern for alu-framed door
width min. 17 mm max. 24 mm.

For alu-framed door, fix the mounting plate to the appropriate adapter.

Hinges for doors with soft-close and handles **C2_6A99**

Hinges for doors with Push opening
C2_PA99 (Push hinges) for a more decisive opening
C2_4A99 (unsprung hinges) for a softer opening

D = sideways and upper overlay





Drilling pattern for alu-framed door width min. 45 mm.

Hinges for doors with soft-close and handles **C2_6A99**

Hinges for doors with Push opening

C2_PA99 (Push hinges) for a more decisive opening

C2_4A99 (unsprung hinges) for a softer opening

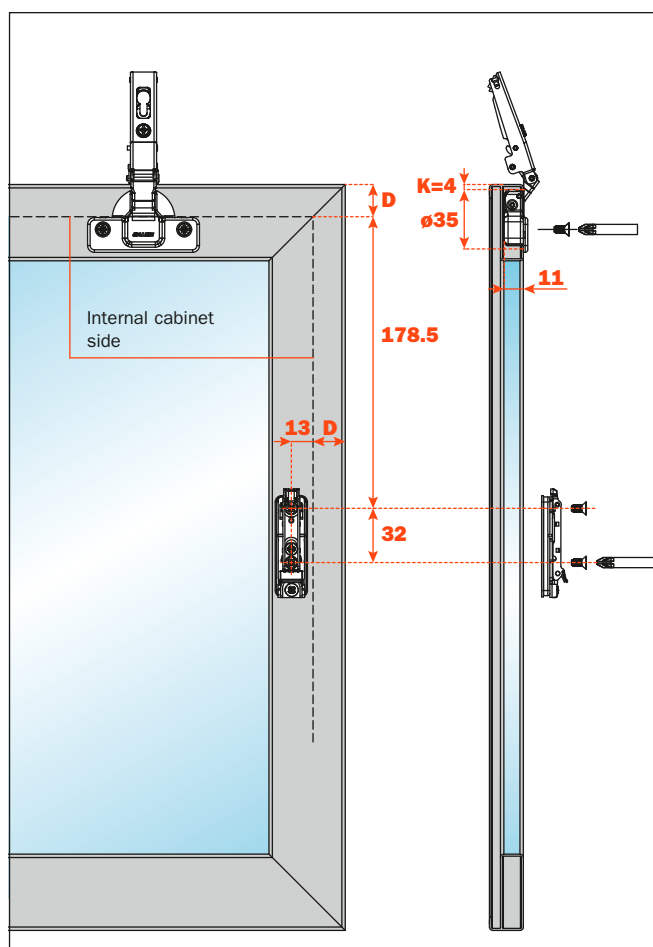
Available fixing system for the hinge cup:

A = wood screw fixing, 48x6 mm drilling

P = wood screw fixing, 45x9.5 mm drilling

U = woodscrew fixing, 52x5.5 mm drilling

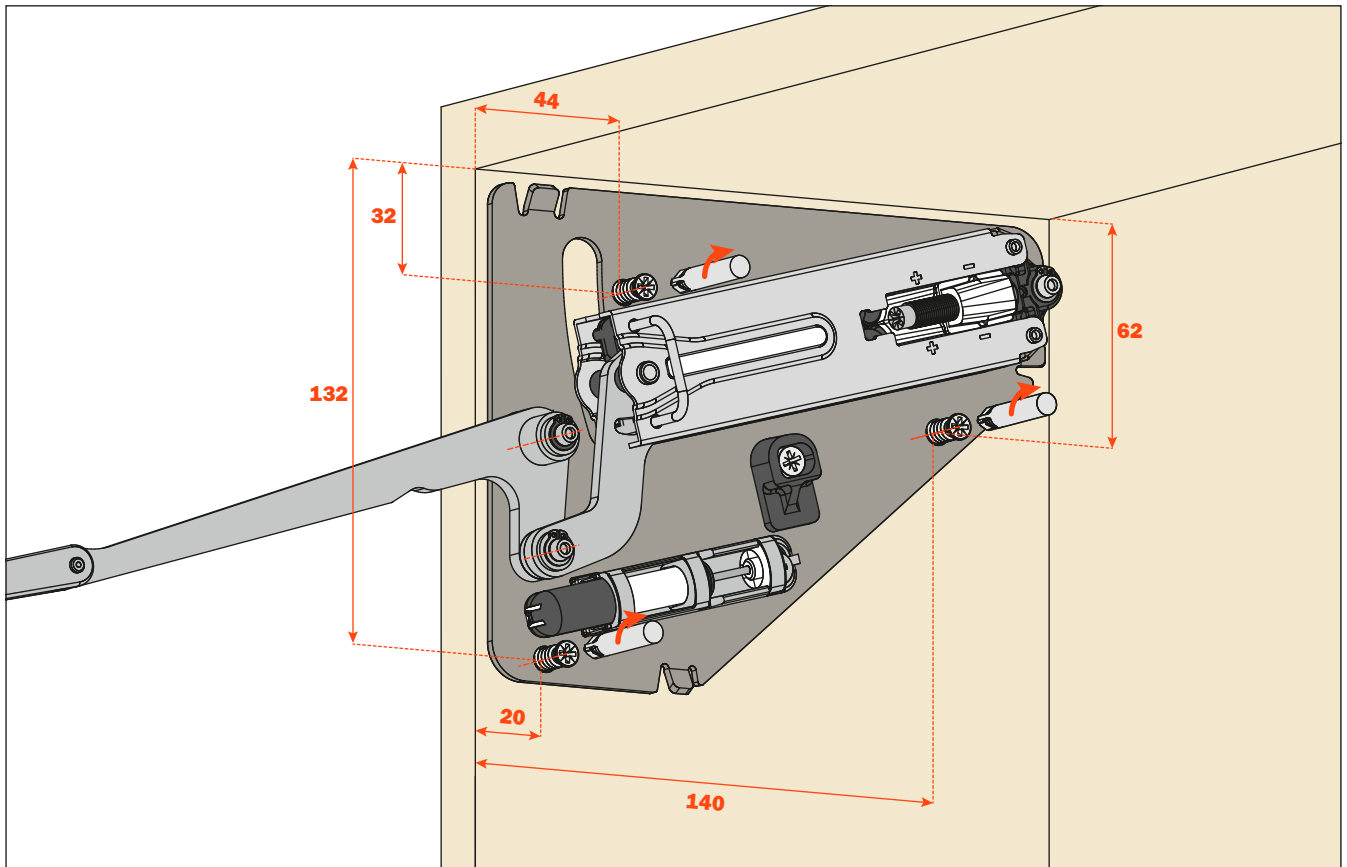
D = sideways and upper overlay



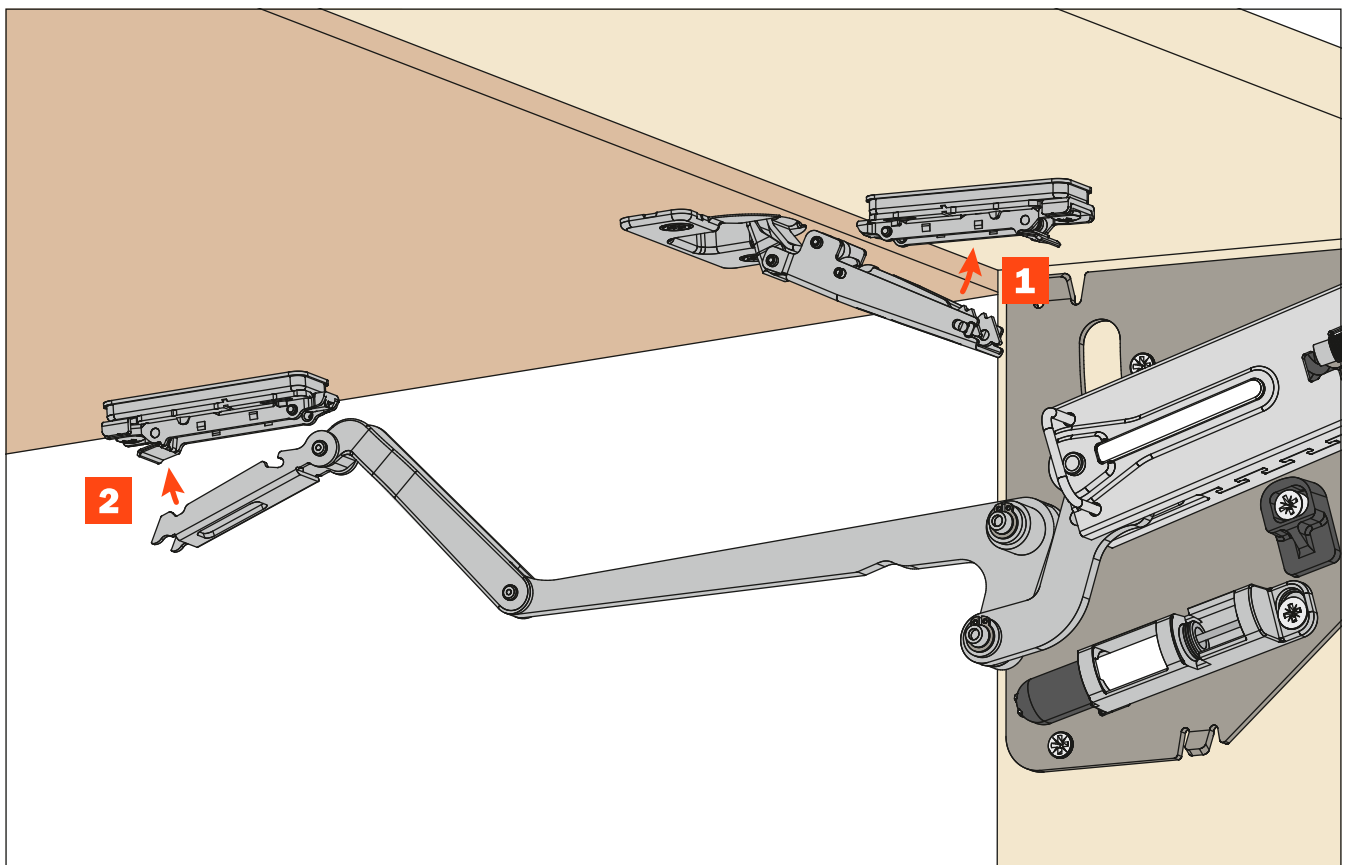
EvoLift - Opening systems - Flap door **Assembly instructions**

Fixing the system to the cabinet side.

Drilling depth 12 mm - Hole diameter \varnothing 5 mm



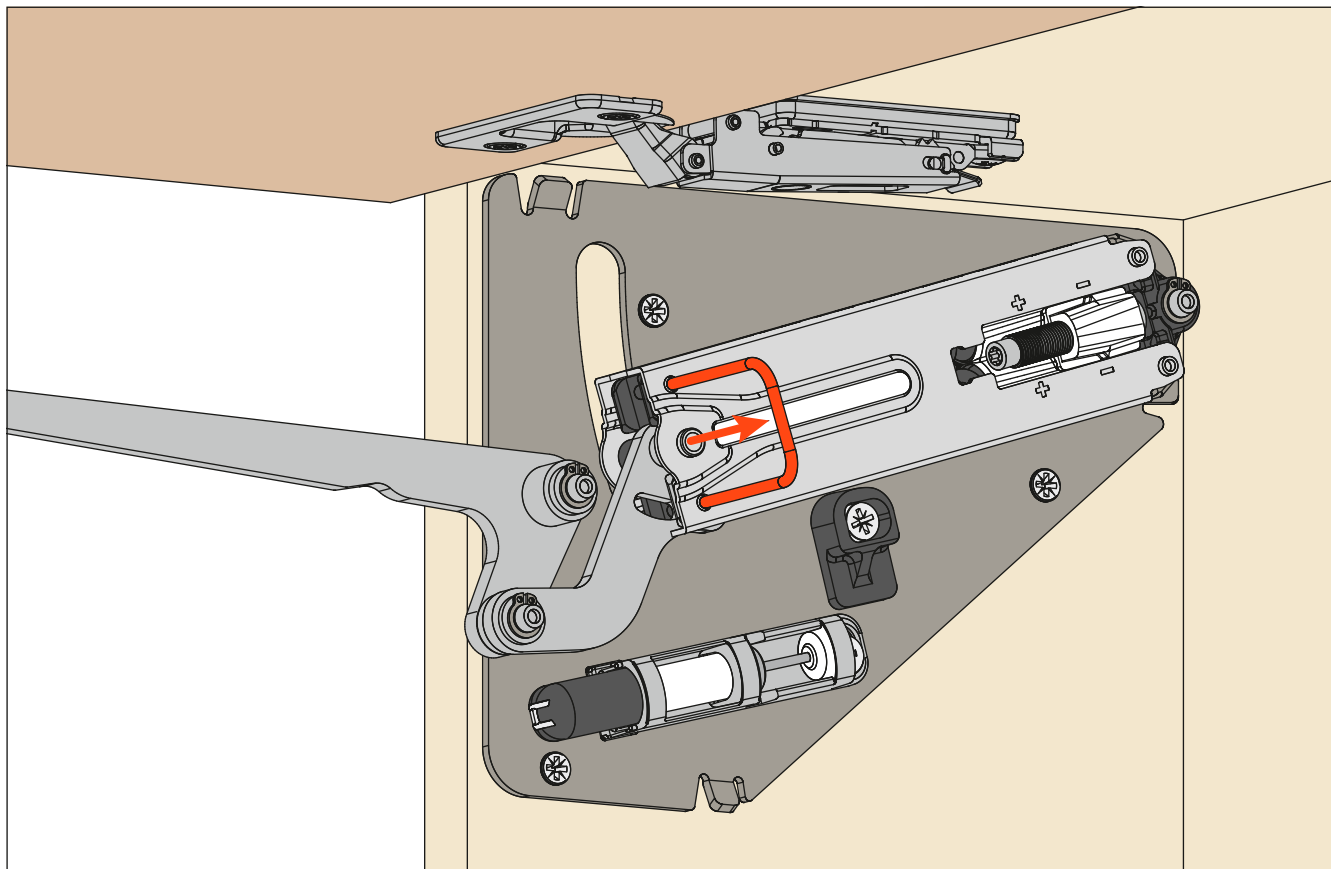
Fitting the door to the cabinet.





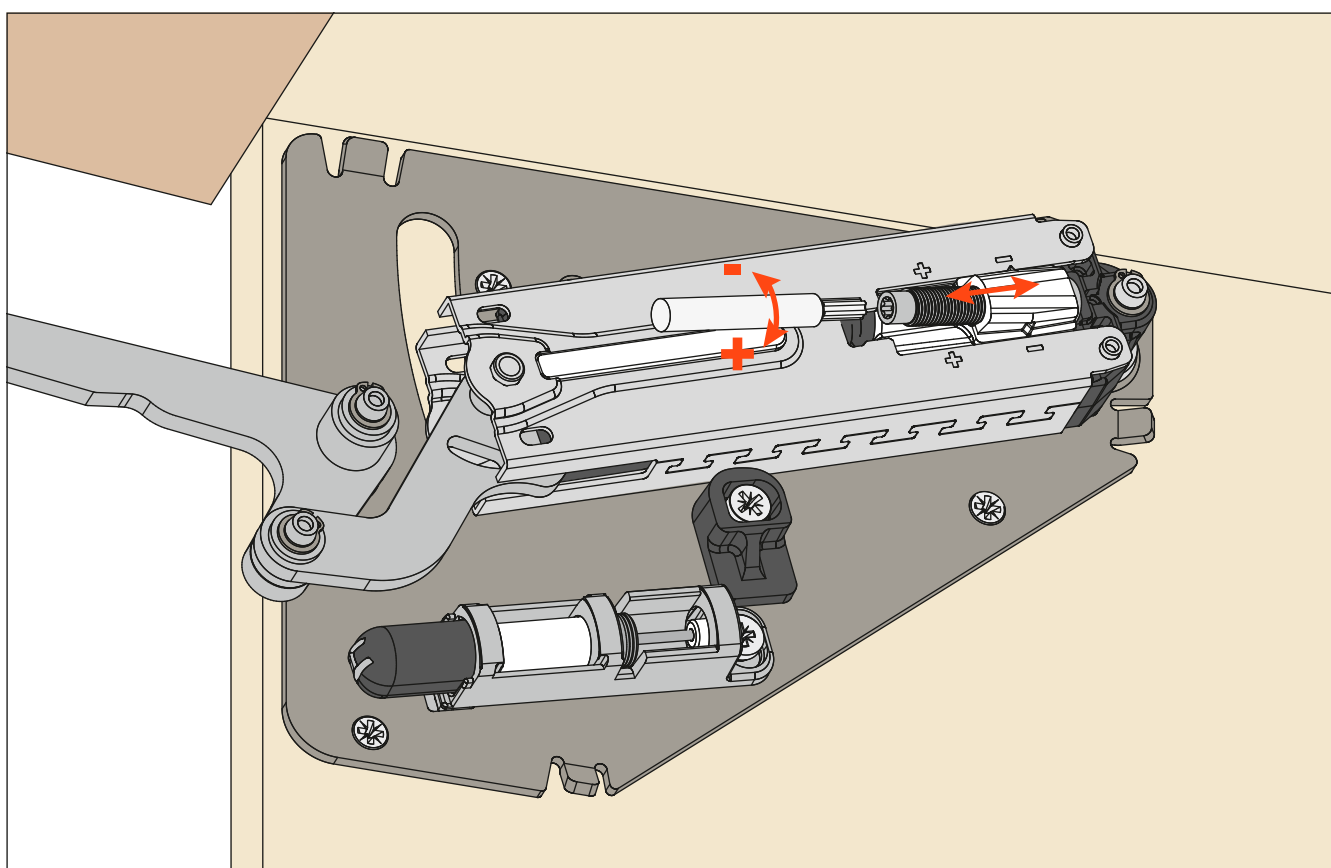
Withdraw the safety clip.

Lower the door slightly until the safety clip can be easily withdrawn.

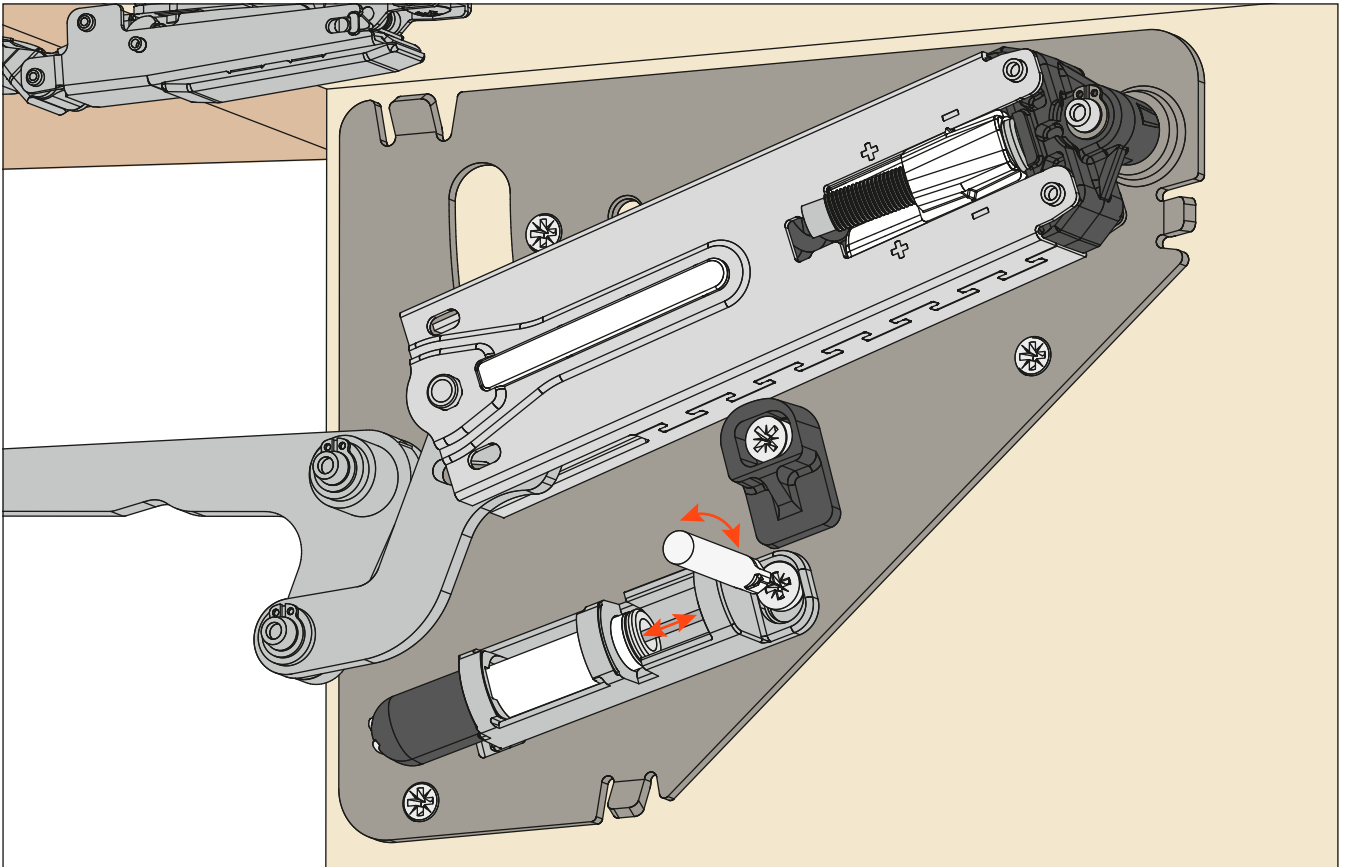


Adjustment of the system strength.

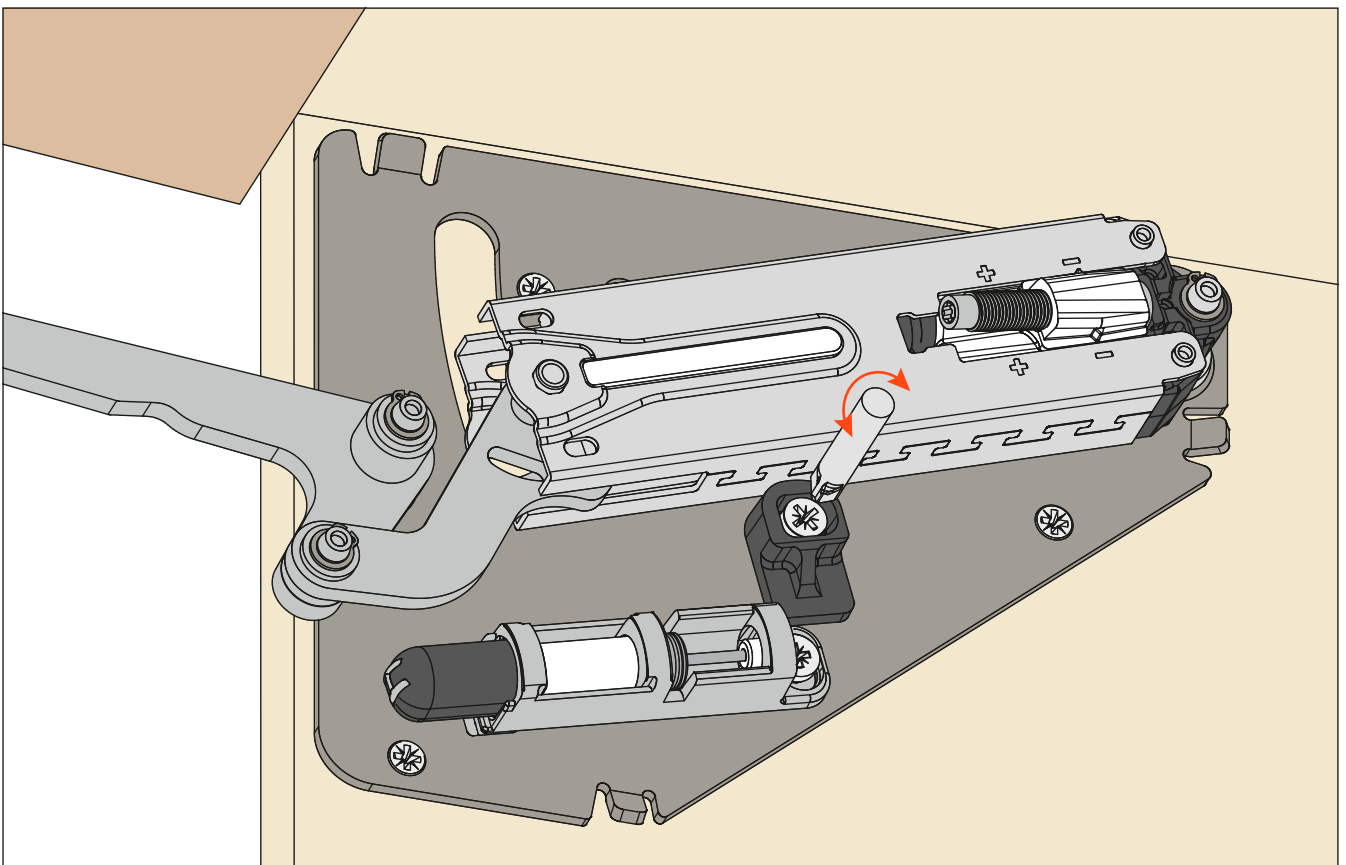
Use a Torx bit T20.



EvoLift - Opening systems - Flap door
Assembly instructions
Adjustment of the decelerating effect.

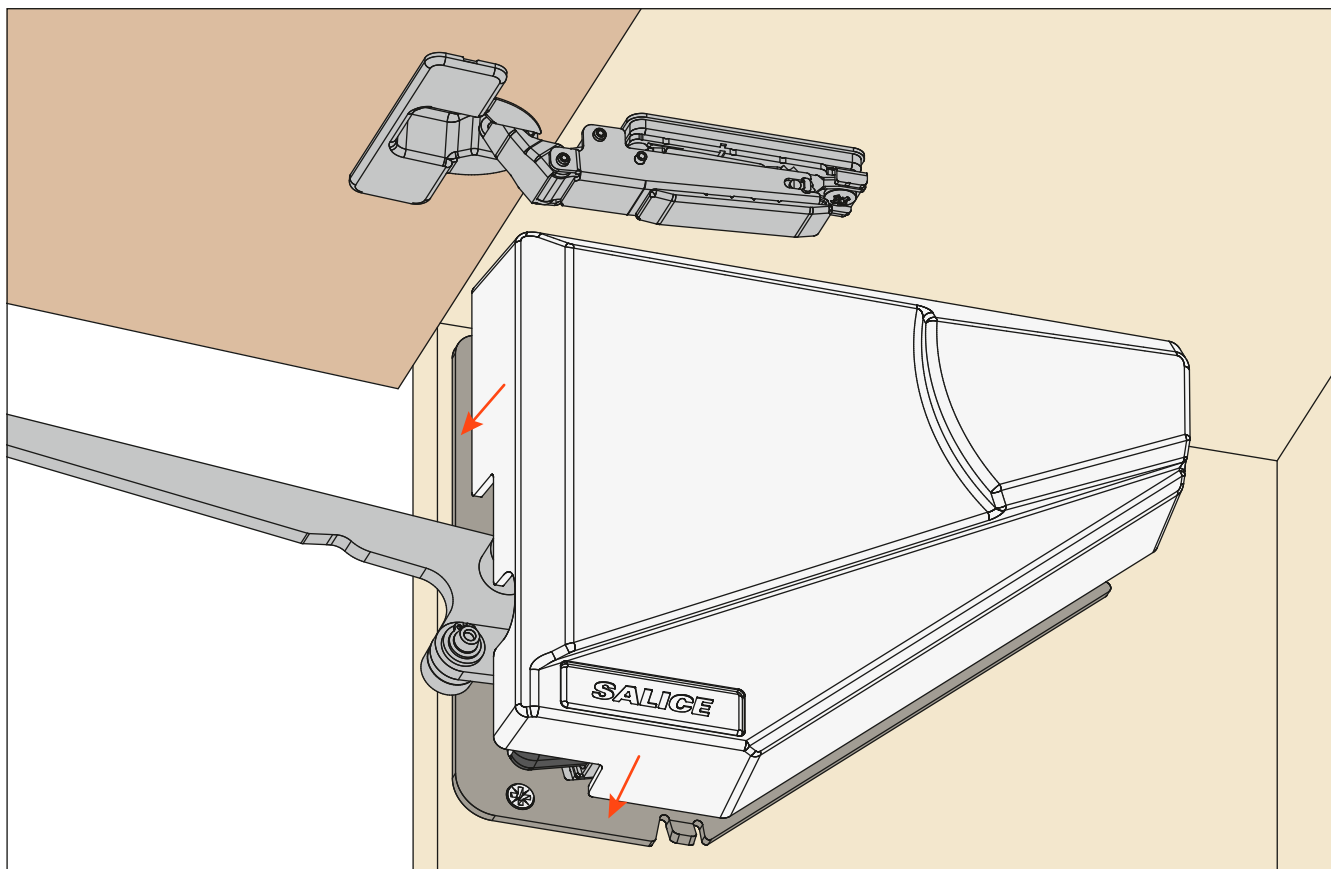


Adjustment of the opening angle of the door, by cam, from 80° to 92°.

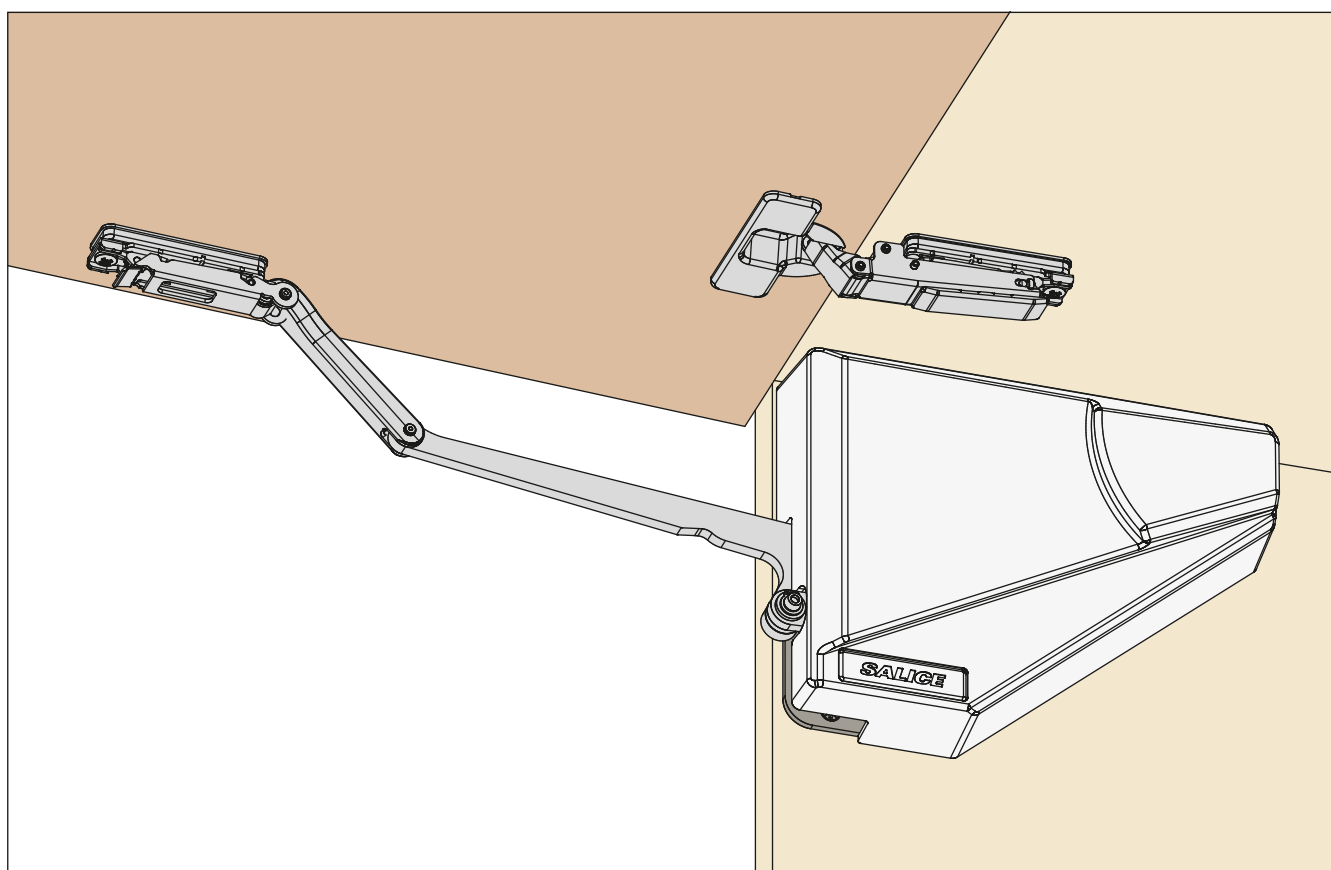


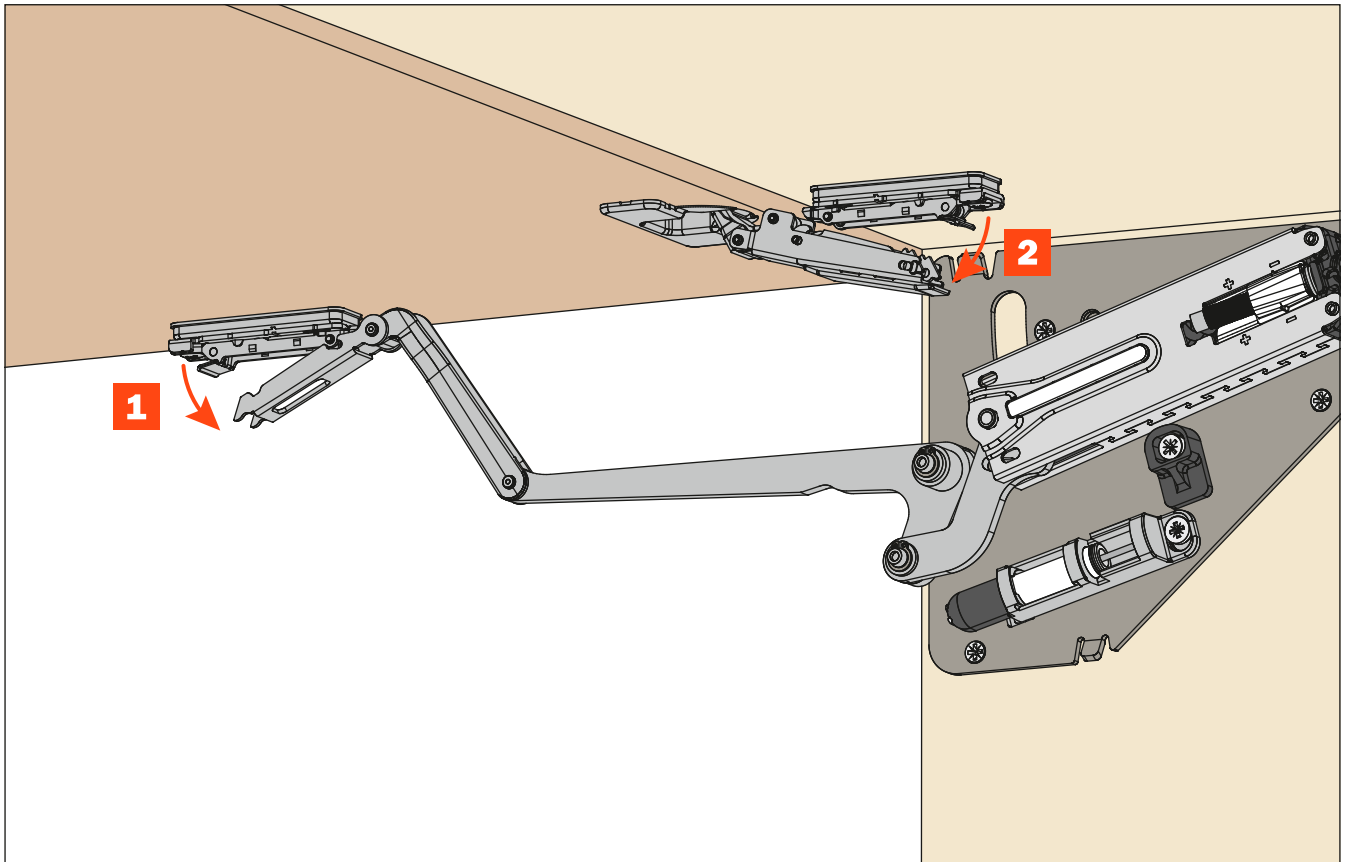


Installing the cover.



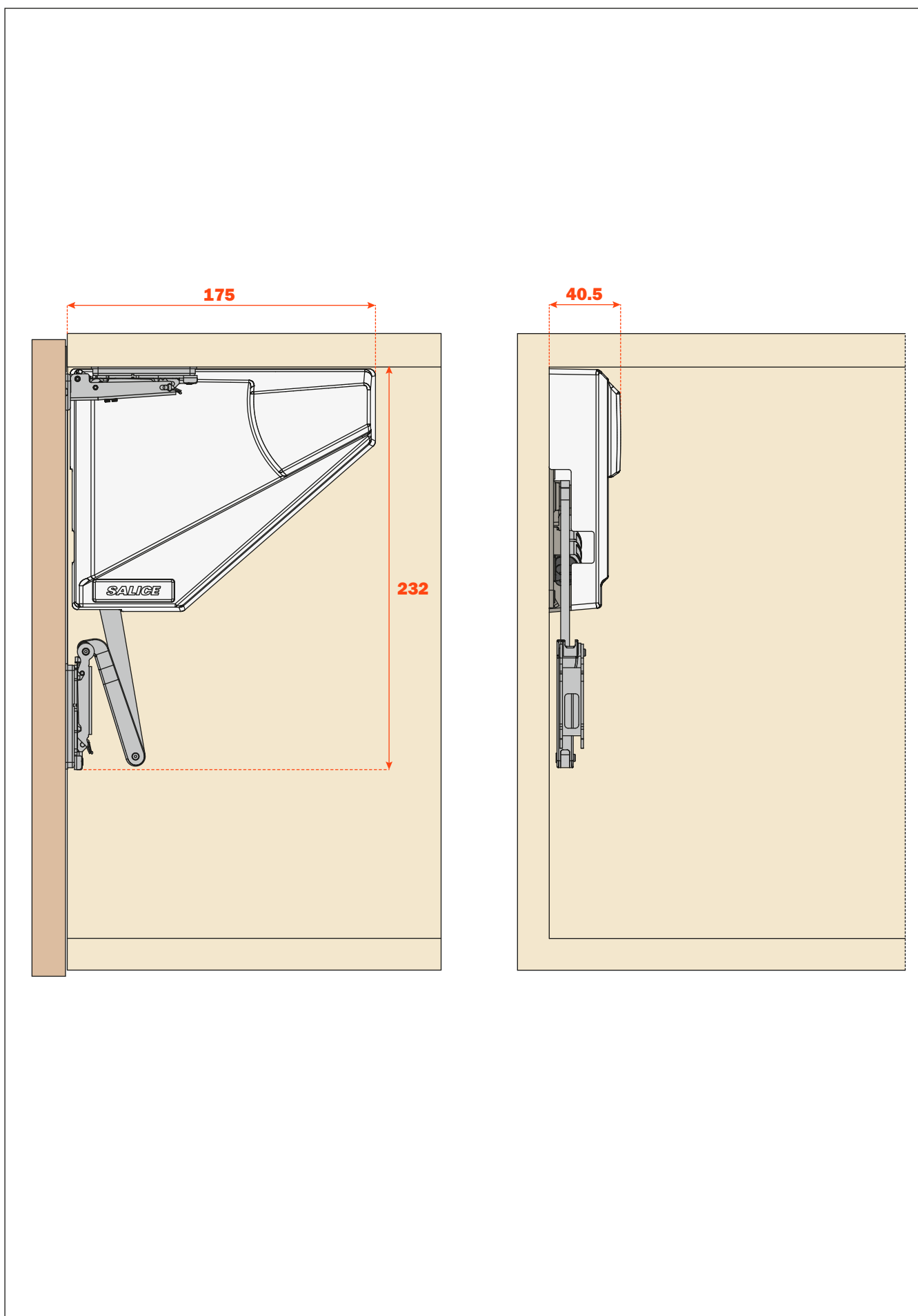
View of the mounted system.



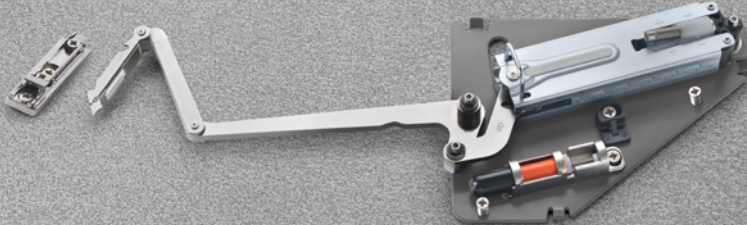



EvoLift - Opening systems - Flap door**Assembly instructions****Removal of the door.**







Dimensions of the system.



EvoLift - Opening systems - Flap door
Part number composition and packing





DOOR-SET PACKING	
	
	
SOFT CLOSE	COVER
FRMFXXX SN9	SR M78A SNXXF
<p>System strength: D = weak F = strong</p> <p>Cabinet side: D = right S = left</p>	<p>Cabinet side: D = right S = left</p> <p>Colour: Q = white L = titanium</p>
CARTON	CARTON
1 System 1 Mounting plate BAPGM39/16 Assembly instructions and template for cabinet side drilling Fixing screws included	1 Cover 1 Cover cap
PALLET	PALLET
192 pcs.	192 pcs.

Components to be ordered separately





			
Hinge for wooden doors or for alu-framed doors 45 mm	Hinge for alu-framed doors min. 17 mm max. 24 mm	Mounting plate for hinges	Support for plate for alu-framed doors min. 17 mm max. 24 mm
C2_6A99	C2Z6A99	BAPGM39/16	DLZXBH9
			Screws to fix the mounting plate to the support included
PACKING	PACKING	PACKING	PACKING
Boxes with 300 pcs.	Boxes with 150 pcs.	Boxes with 300 pcs.	Boxes with 150 pcs.



INDUSTRIAL PACKING

	
	
SOFT CLOSE	COVER
<p style="color: red; font-weight: bold; font-size: 1.2em;">FRMIXXX SN9</p> <div style="display: flex; justify-content: space-between; align-items: flex-start;"> <div style="border: 1px solid black; padding: 5px; width: 45%;"> <p>System strength: D = weak F = strong</p> </div> <div style="border: 1px solid black; padding: 5px; width: 45%;"> <p>Cabinet side: D = right S = left</p> </div> </div>	<p style="color: red; font-weight: bold; font-size: 1.2em;">SR M78A SNXXI</p> <div style="display: flex; justify-content: space-between; align-items: flex-start;"> <div style="border: 1px solid black; padding: 5px; width: 45%;"> <p>Cabinet side: D = right S = left</p> </div> <div style="border: 1px solid black; padding: 5px; width: 45%;"> <p>Colour: Q = white L = titanium</p> </div> </div>
<p>CARTON</p> <p>8 Systems</p> <p>1 Bag with 8 mounting plates BAPGM39/16</p> <p>Assembly instructions</p> <p>Fixing screws included</p>	<p>CARTON</p> <p>8 Covers</p> <p>1 Bag with 8 cover caps</p>
<p>PALLET</p> <p>192 pcs.</p>	<p>PALLET</p> <p>192 pcs.</p>

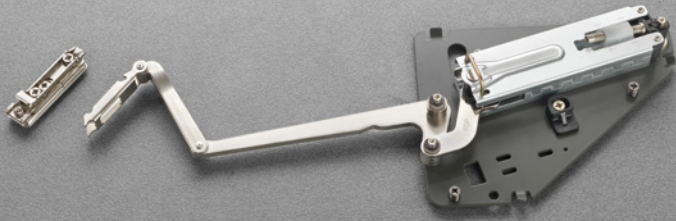

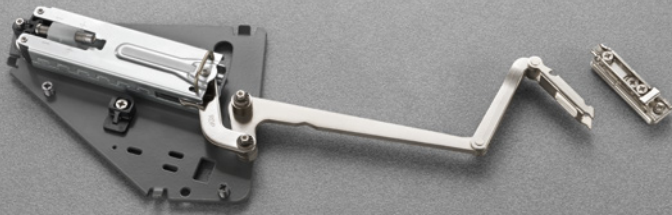

Components to be ordered separately

			
<p>Hinge for wooden doors or for alu-framed doors 45 mm</p>	<p>Hinge for alu-framed doors min. 17 mm max. 24 mm</p>	<p>Mounting plate for hinges</p>	<p>Support for plate for alu-framed doors min. 17 mm max. 24 mm</p>
<p>C2_6A99</p>	<p>C2Z26A99</p>	<p>BAPGM39/16</p>	<p>DLZXBH9</p>
<p>To complete the part number see pages 8 and 9</p>			<p>Screws to fix the mounting plate to the support included</p>
<p>PACKING</p> <p>Boxes with 300 pcs.</p>	<p>PACKING</p> <p>Boxes with 150 pcs.</p>	<p>PACKING</p> <p>Boxes with 300 pcs.</p>	<p>PACKING</p> <p>Boxes with 150 pcs.</p>








EvoLift • Opening systems
Flap door with Push opening

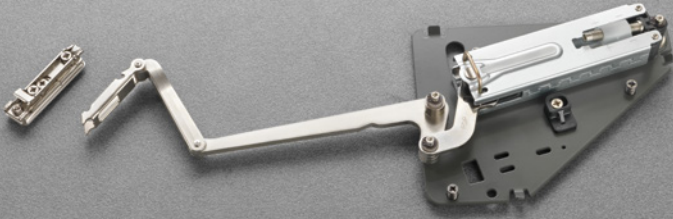

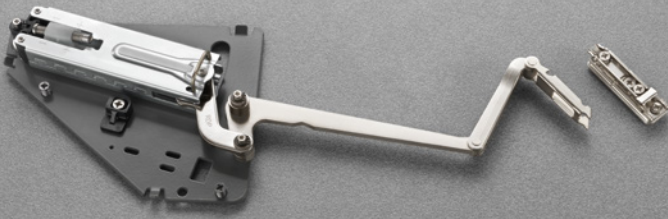

EvoLift - Opening systems - Flap door with Push opening
Part number composition and packing

DOOR-SET PACKING	
	
	
PUSH OPENING	COVER
FRMFXXPDSN9	SR_M78A_SNXXF
<p>System strength: D = weak</p> <p>Cabinet side: D = right S = left</p>	<p>Cabinet side: D = right S = left</p> <p>Colour: Q = white L = titanium</p>
CARTON	CARTON
1 System 1 Mounting plate BAPGM39/16 Assembly instructions and template for cabinet side drilling Fixing screws included	1 Cover 1 Cover cap
PALLET	PALLET
192 pcs.	192 pcs.






Components to be ordered separately

				
Hinge for wooden doors or for alu-framed doors 45 mm	Hinge for alu-framed doors min. 17 mm max. 24 mm	Mounting plate for hinges	Support for plate for alu-framed doors min. 17 mm max. 24 mm	Push
C2_PA99 C2_4A99	C2ZPA99	BAPGM39/16	DLZXBH9	To choose the Push and the retaining catch see page 22
To complete the part number see pages 8 and 9			Screws to fix the mounting plate to the support included	
PACKING	PACKING	PACKING	PACKING	
Boxes with 300 pcs.	Boxes with 150 pcs.	Boxes with 300 pcs.	Boxes with 150 pcs.	

INDUSTRIAL PACKING

	
	
PUSH OPENING	COVER
<p style="color: red; font-weight: bold; font-size: 1.2em;">FRMIXXPDSN9</p> <div style="display: flex; justify-content: space-between; margin-top: 10px;"> <div style="border: 1px solid black; padding: 5px; width: 45%;"> <p>System strength: D = weak</p> </div> <div style="border: 1px solid black; padding: 5px; width: 45%;"> <p>Cabinet side: D = right S = left</p> </div> </div>	<p style="color: red; font-weight: bold; font-size: 1.2em;">SR_M78A_SNXXI</p> <div style="display: flex; justify-content: space-between; margin-top: 10px;"> <div style="border: 1px solid black; padding: 5px; width: 45%;"> <p>Cabinet side: D = right S = left</p> </div> <div style="border: 1px solid black; padding: 5px; width: 45%;"> <p>Colour: Q = white L = titanium</p> </div> </div>
<p>CARTON</p> <ul style="list-style-type: none"> 8 Systems 1 Bag with 8 mounting plates BAPGM39/16 Assembly instructions Fixing screws included 	<p>CARTON</p> <ul style="list-style-type: none"> 8 Covers 1 Bag with 8 cover caps
<p>PALLET</p> <p>192 pcs.</p>	<p>PALLET</p> <p>192 pcs.</p>

Components to be ordered separately

				
<p>Hinge for wooden doors or for alu-framed doors 45 mm</p>	<p>Hinge for alu-framed doors min. 17 mm max. 24 mm</p>	<p>Mounting plate for hinges</p>	<p>Support for plate for alu-framed doors min. 17 mm max. 24 mm</p>	<p>Push</p>
<p style="color: red; font-weight: bold; font-size: 1.2em;">C2_PA99 C2_4A99</p> <p>To complete the part number see pages 8 and 9</p>	<p style="color: red; font-weight: bold; font-size: 1.2em;">C2ZPA99</p>	<p style="color: red; font-weight: bold; font-size: 1.2em;">BAPGM39/16</p>	<p style="color: red; font-weight: bold; font-size: 1.2em;">DLZXBH9</p> <p>Screws to fix the mounting plate to the support included</p>	<p>To choose the Push and the retaining catch see page 22</p>
<p>PACKING</p> <p>Boxes with 300 pcs.</p>	<p>PACKING</p> <p>Boxes with 150 pcs.</p>	<p>PACKING</p> <p>Boxes with 300 pcs.</p>	<p>PACKING</p> <p>Boxes with 150 pcs.</p>	

EvoLift - Opening systems - Flap door
Magnetic Push - Recessed magnetic release device and retaining catches

DPMSNB - beige



Magnetic catch
 ø 10 mm, 40 mm length.

DPASNB - beige



Optional supplementary magnetic catch to increase the holding strength. It must always be used together with the DPM.
 The suggested position of the DPM is the point of pressure on the door. The DPA can be positioned at any point along the opening edge of the door.
 ø 10 mm, 40 mm length.

DPMSNG - grey



Packing
 Boxes 250 pcs.
 Cartons 1.500 pcs.

DPASNG - grey



Packing
 Boxes 250 pcs.
 Cartons 1.500 pcs.

DP39XXG



Adjustable magnetic retaining catch.
 ø16.6 mm

Packing
 Boxes 250 pcs.

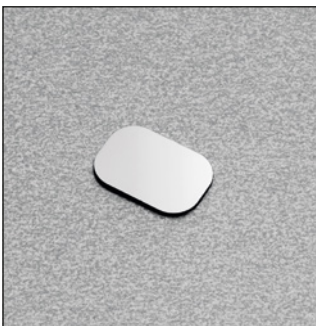
DP28SN9



Pin-fix striker for magnetic catches.
 ø 11.5 mm.

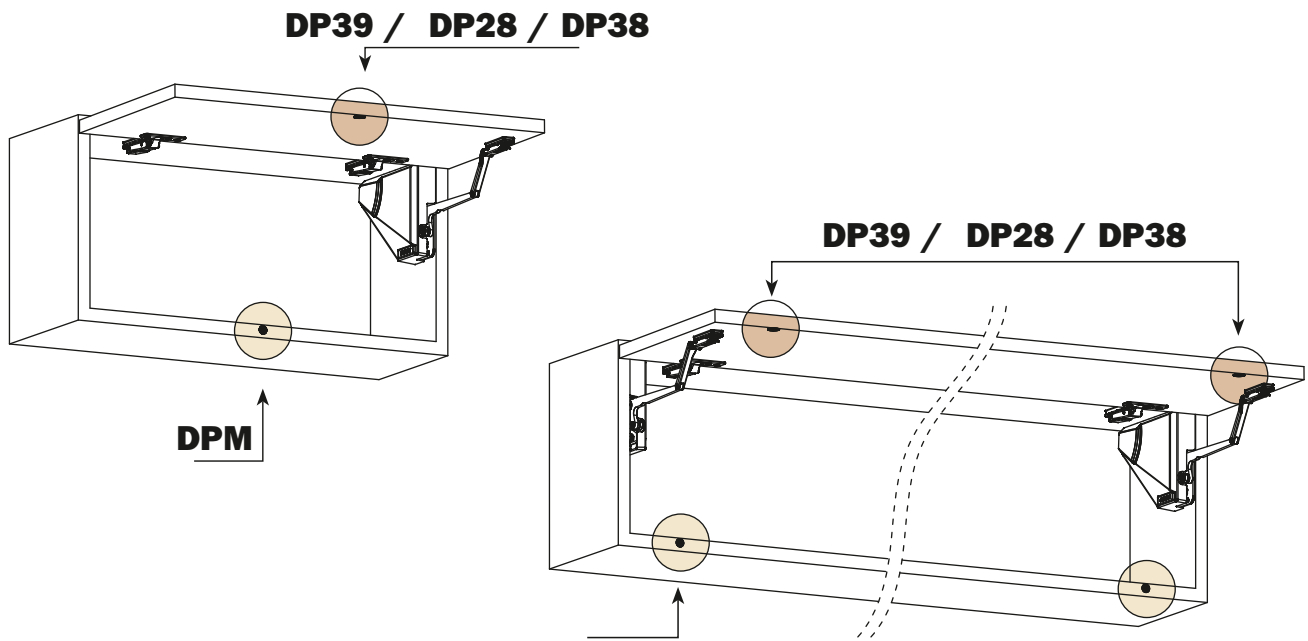
Packing
 Boxes 250 pcs.

DP38XX91



Self-adhesive striker for magnetic catches.
 20x14 mm.

Packing • Boxes 250 pcs.

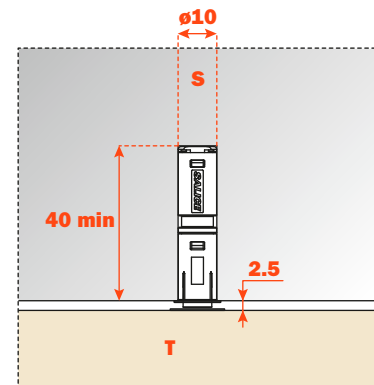


Release device application

Application of the standard magnetic catch.

Drill a hole \varnothing 10 mm and min. 40 mm depth in the top, the side or the base panel of the cabinet.

Insert the release device into the hole.

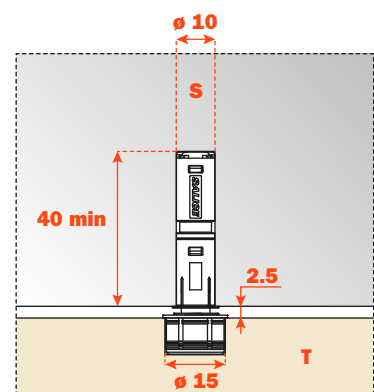


Inserted adjustable magnetic catch.

The retaining catch DP39 is itself magnetic and together with the magnetism of the release device DPM considerably increase (30%) the holding strength of the door against the cabinet side, thus avoiding accidental openings.

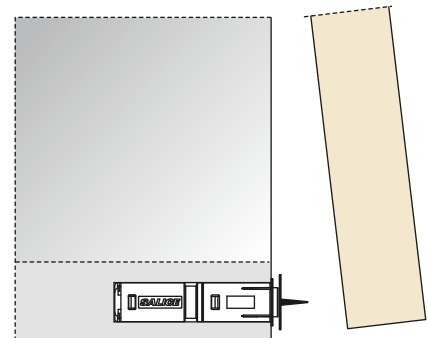
For the installation it is necessary to drill a hole \varnothing 15 mm and 11 mm depth in the door.

Depth adjustment from -0.5 mm to +2.5 mm.



Pin-fix striker.

Apply the retaining catch to the magnetic release device.
Close the door.
The point of the retaining catch will show where to insert it.
Reopen the door and drive in the pin to fix in position.



Self-adhesive striker.

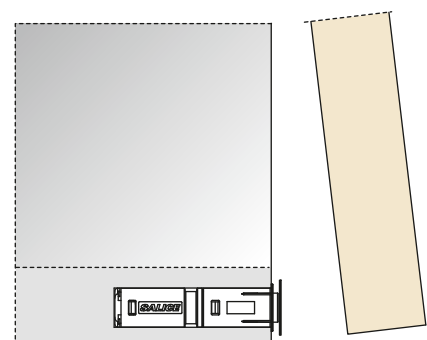
Apply the retaining catch to the magnetic release device. Remove the protective strip from the adhesive. Close the door. In this way the retaining catch is positioned on the door. Reopen the door and apply a firm pressure to the retaining catch to ensure a correct installation.

ATTENTION:

For a correct application and to ensure optimal endurance, we suggest these guidelines are followed:

- 1** - clean and degrease the door surface where the retaining catch is to be installed;
- 2** - remove the protective strip from the adhesive;
- 3** - place the retaining catch in position, in a place that is at room temperature $\geq 10^\circ$ and apply a firm pressure for 10-15 seconds.

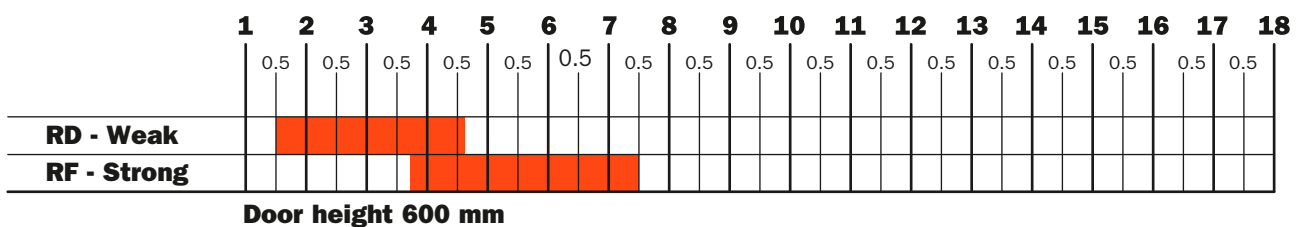
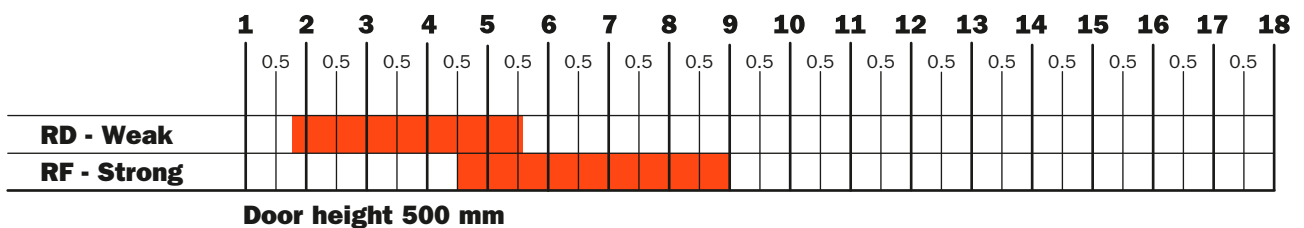
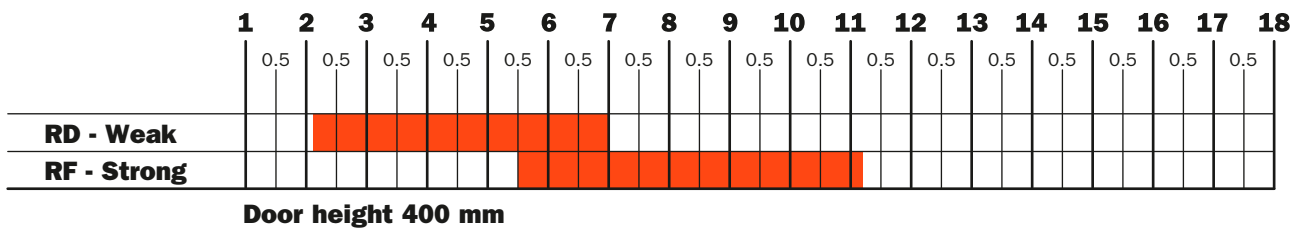
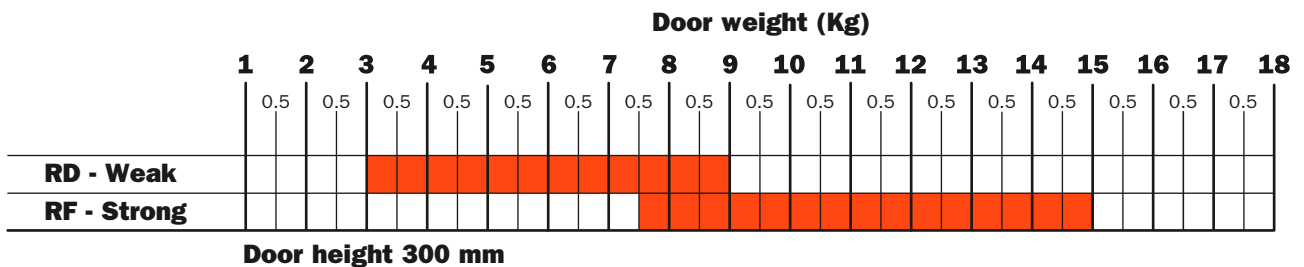
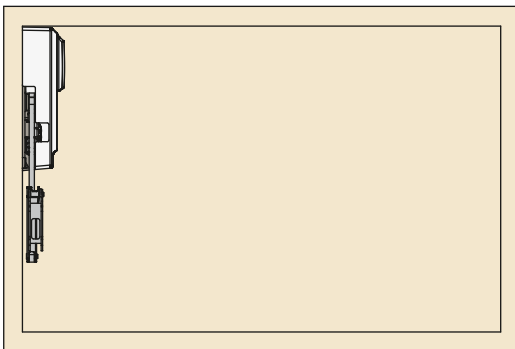
After few seconds from the installation the retaining catch is suitable for the use.
After 24h the max. hold is attained.



EvoLift - Opening systems - Flap door

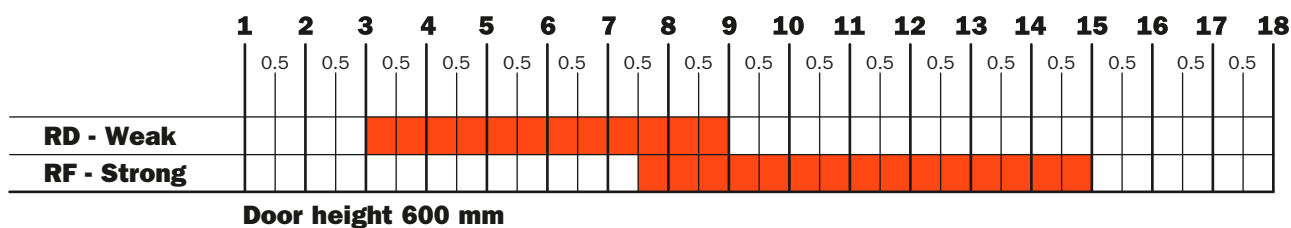
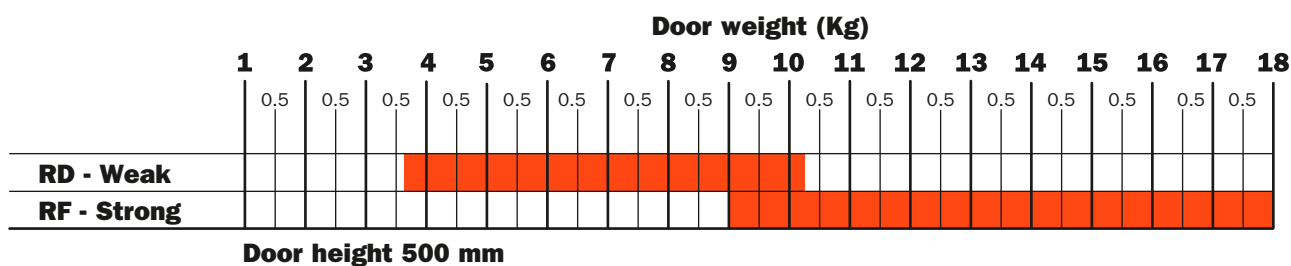
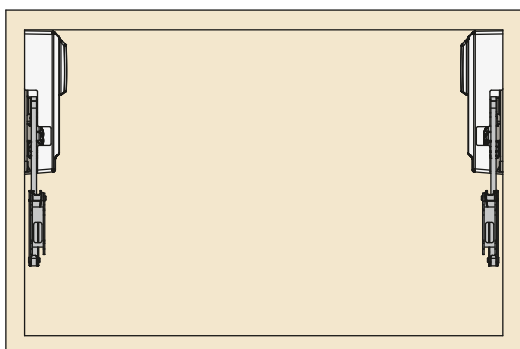
Charts to select the strength of the system for a single-operation door opening

Charts to select the exact system suitable for the dimensions and weight of the door.
It is suggested that some assembly trials are made.
Our technical Assistance Service is at your disposal for any additional information.





Charts to select the exact system suitable for the dimensions and weight of the door.
It is suggested that some assembly trials are made.
Our technical Assistance Service is at your disposal for any additional information.





EvoLift • Opening systems
Folding door

EvoLift - Opening systems - Folding door



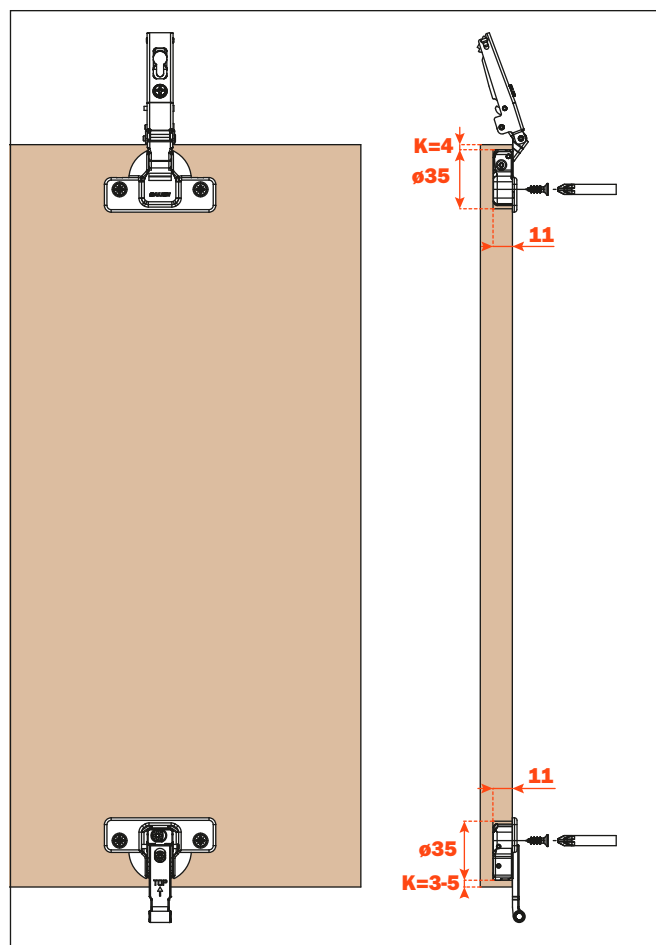


EvoLift - Opening systems - Folding door
Assembly instructions

Drilling pattern for the upper wooden door.

Available fixing systems for the hinge cup:

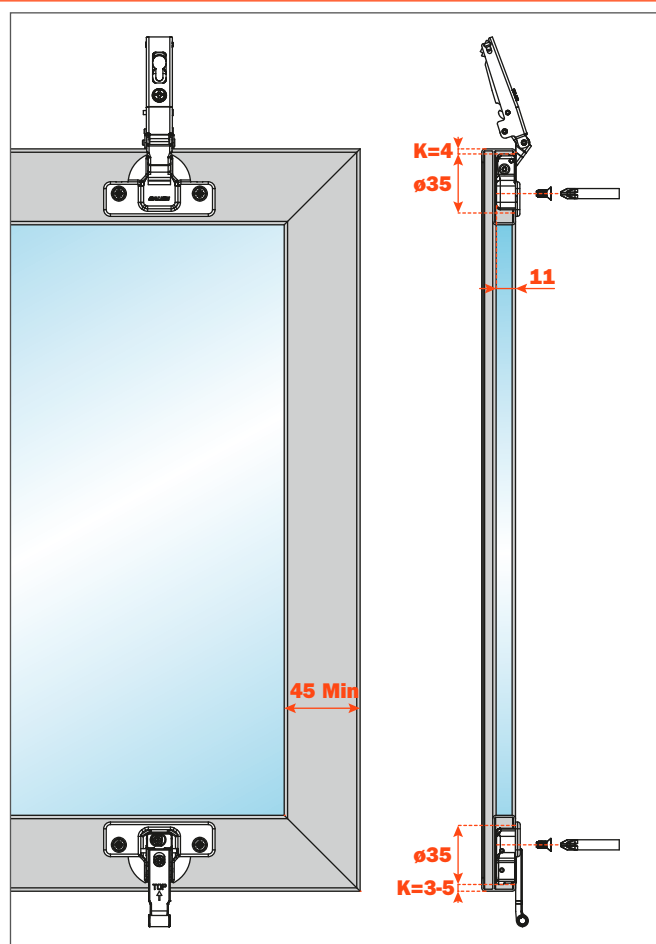
- A** = wood screw fixing, 48x6 mm drilling
- P** = wood screw fixing, 45x9.5 mm drilling
- U** = wood screw fixing, 52x5.5 mm drilling
- B** = dowel fixing, 48x6 mm drilling
- R** = dowel fixing, 45x9.5 mm drilling
- W** = dowel fixing, 52x5.5 mm drilling



Drilling pattern for the upper alu-framed door
width min. 45 mm.

Available fixing systems for the hinge cup:

- A** = woodscrew fixing, 48x6 mm drilling
- P** = woodscrew fixing, 45x9.5 mm drilling
- U** = woodscrew fixing, 52x5.5 mm drilling





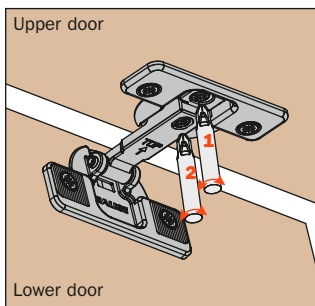
Drilling pattern for the lower wooden door.

Available fixing systems for the hinge cup:

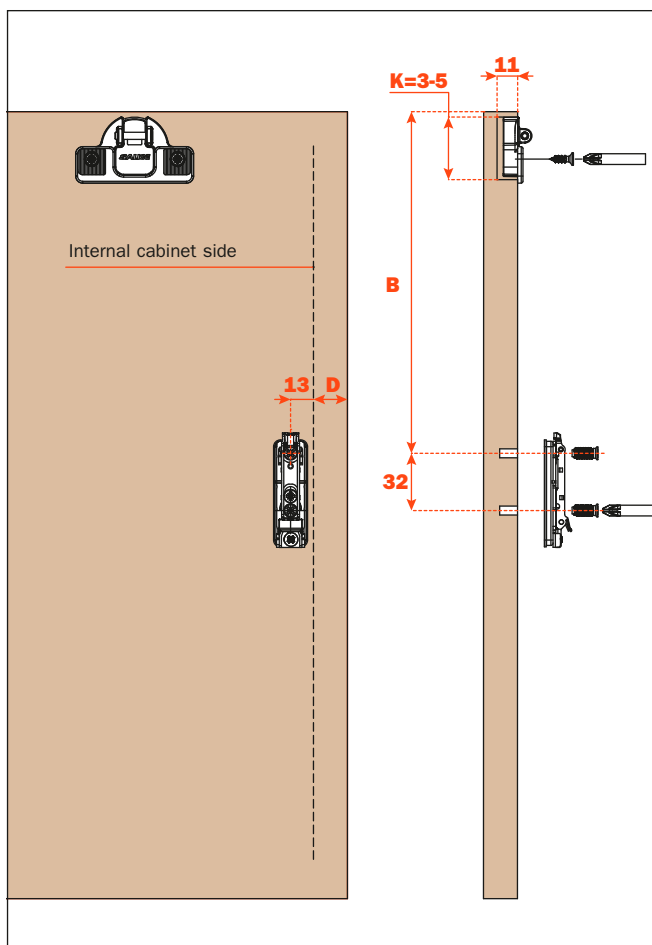
- A** = wood screw fixing, 48x6 mm drilling
- P** = wood screw fixing, 45x9.5 mm drilling
- U** = wood screw fixing, 52x5.5 mm drilling
- B** = dowel fixing, 48x6 mm drilling
- R** = dowel fixing, 45x9.5 mm drilling
- W** = dowel fixing, 52x5.5 mm drilling

D = sideways overlay

To determine the **B** value, use the table at page 32.



- 1** - Sideways adjustment $\pm 1,5$ mm
- 2** - Height adjustment $\pm 1,5$ mm



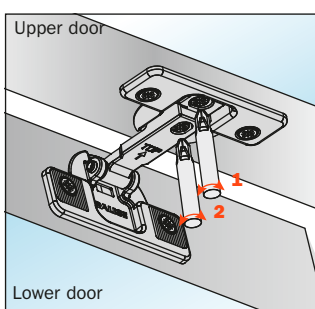
Drilling pattern for the lower alu-framed door width min. 45 mm.

Available fixing systems for the hinge cup:

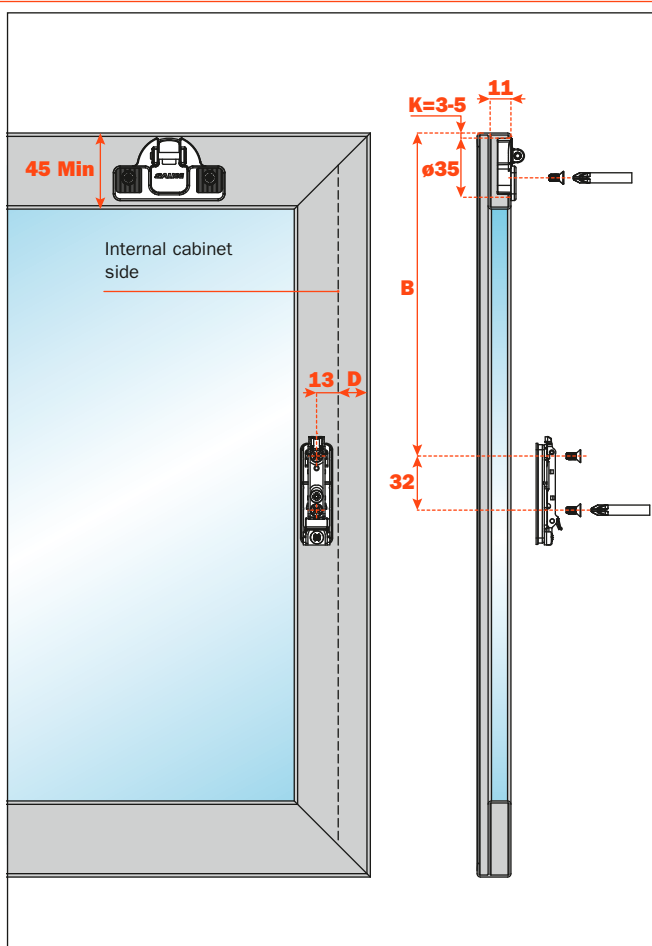
- A** = wood screw fixing, 48x6 mm drilling
- P** = wood screw fixing, 45x9.5 mm drilling
- U** = wood screw fixing, 52x5.5 mm drilling

D = sideways overlay

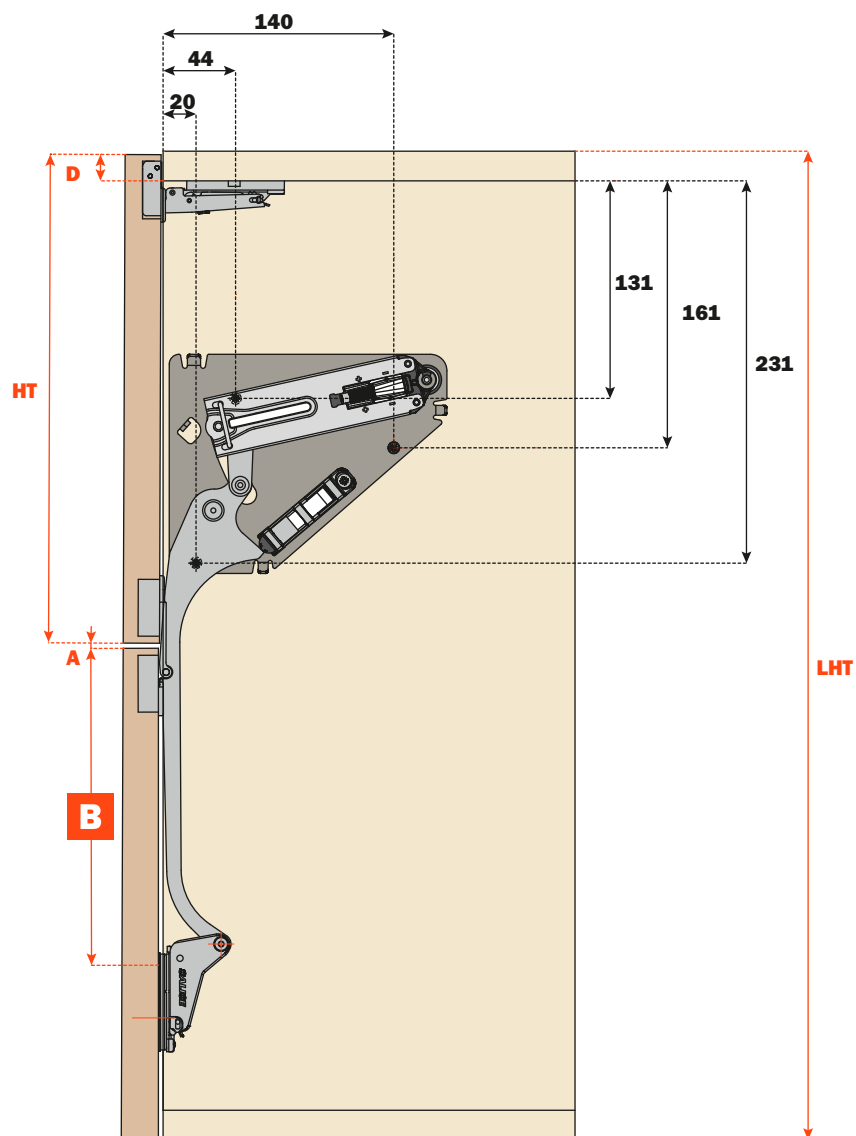
To determine the **B** value, use the table at page 32.



- 1** - Sideways adjustment
- 2** - Height adjustment



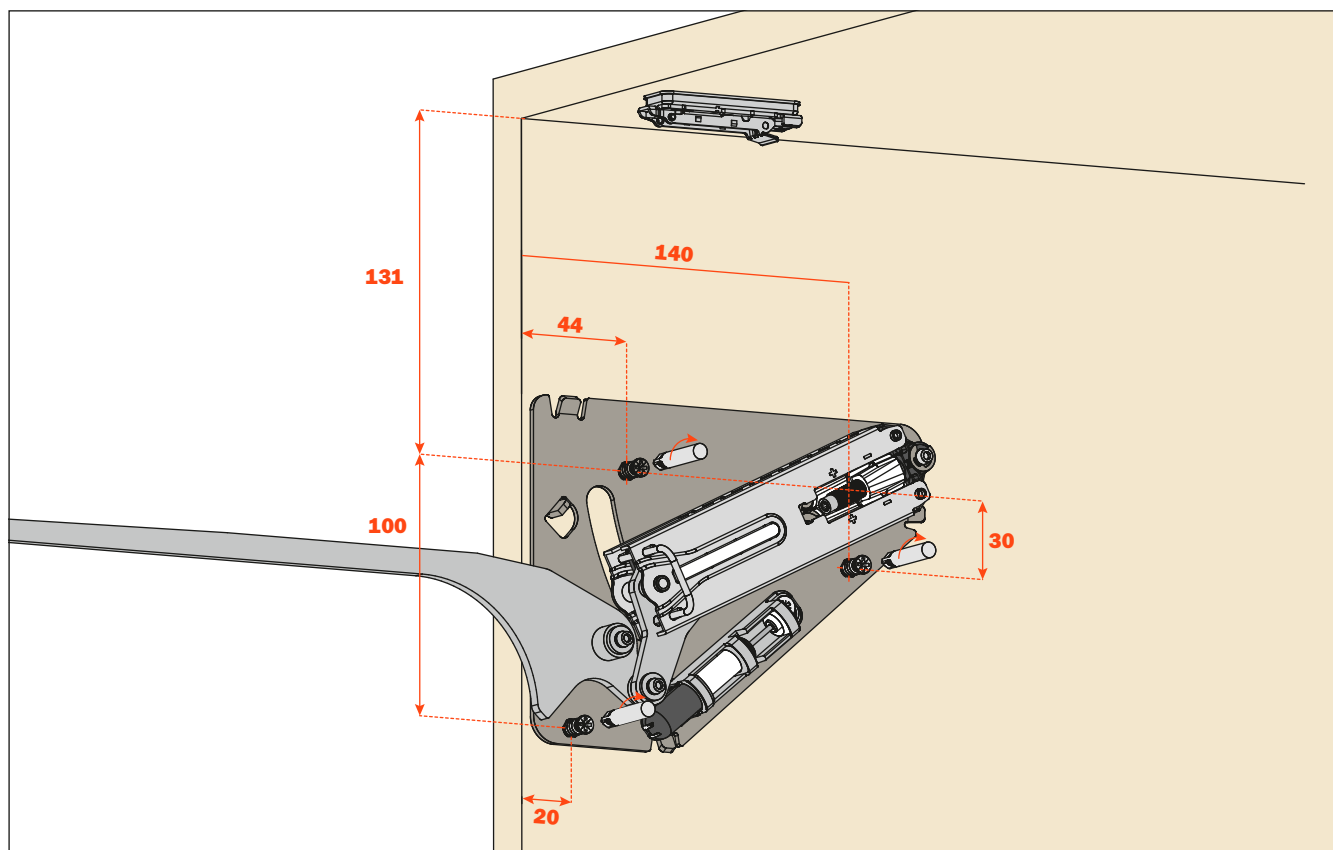
EvoLift - Opening systems - Folding door
Assembly instructions



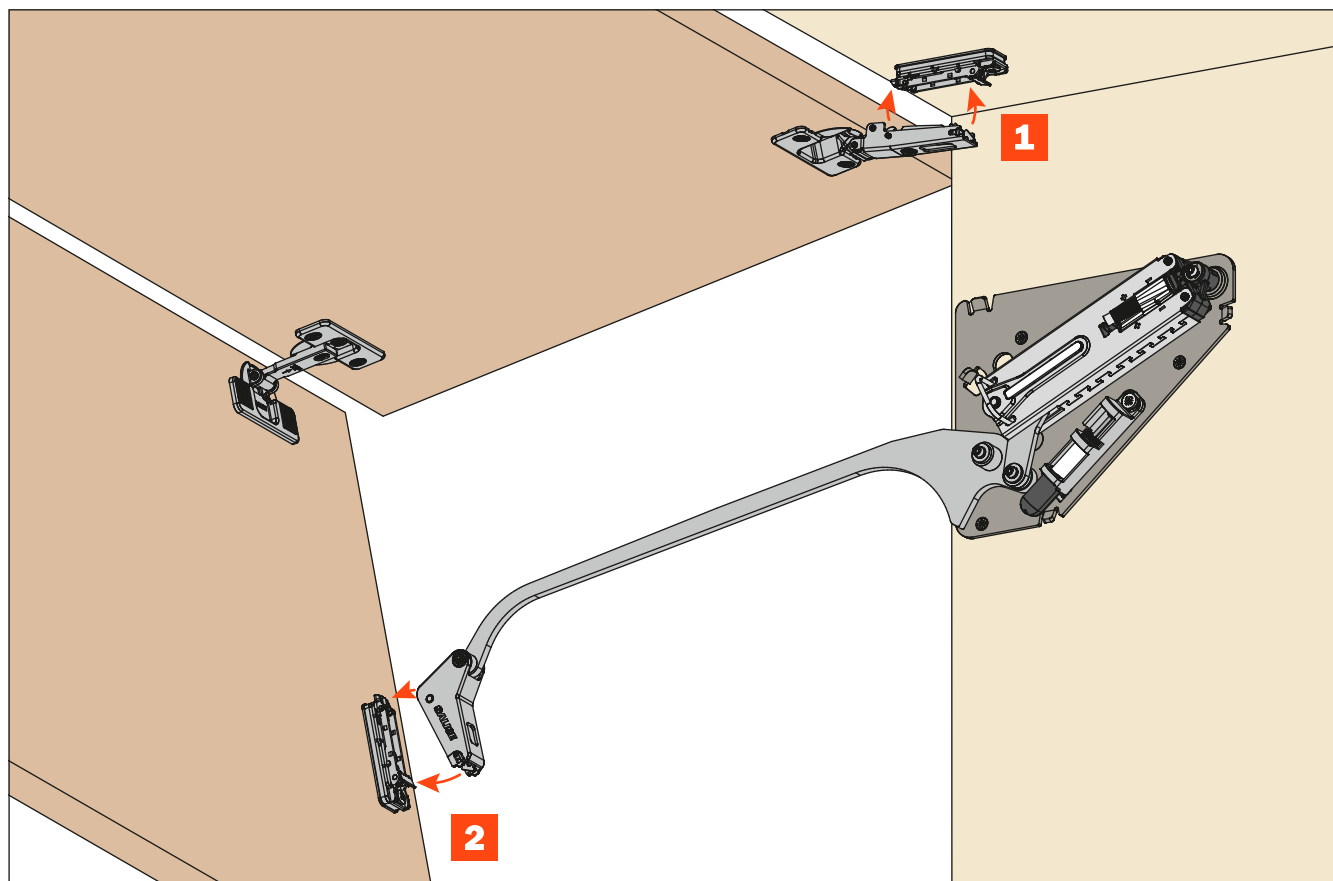
Arm length	LHT Cabinet height	Formula to determine the B value
600	570 ÷ 630	$475 + D - HT - A$
660	631 ÷ 690	$505 + D - HT - A$
720	691 ÷ 750	$535 + D - HT - A$
780	751 ÷ 810	$565 + D - HT - A$
910	881 ÷ 940	$634 + D - HT - A$



Fixing the system to the cabinet side.

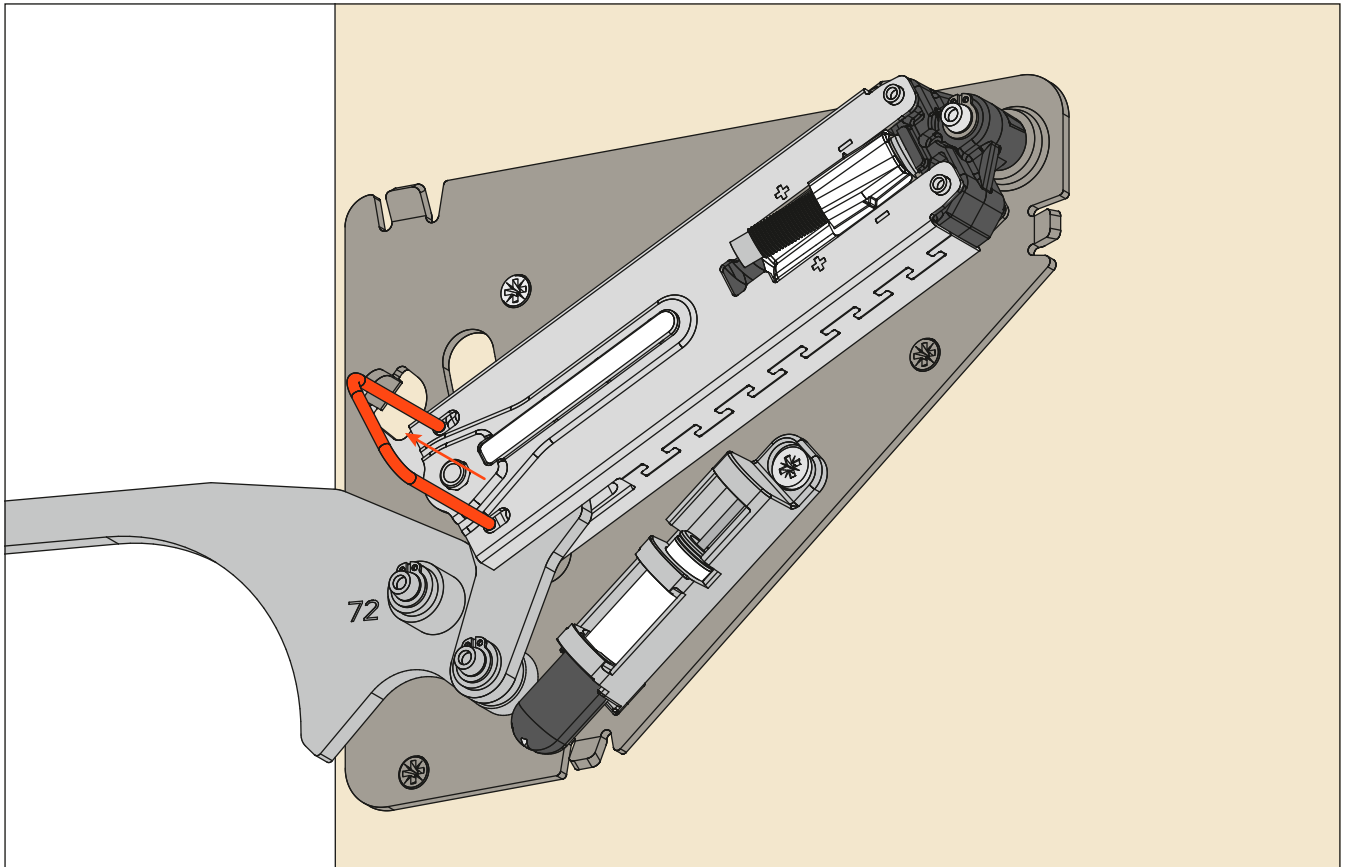


Fitting the door to the cabinet.

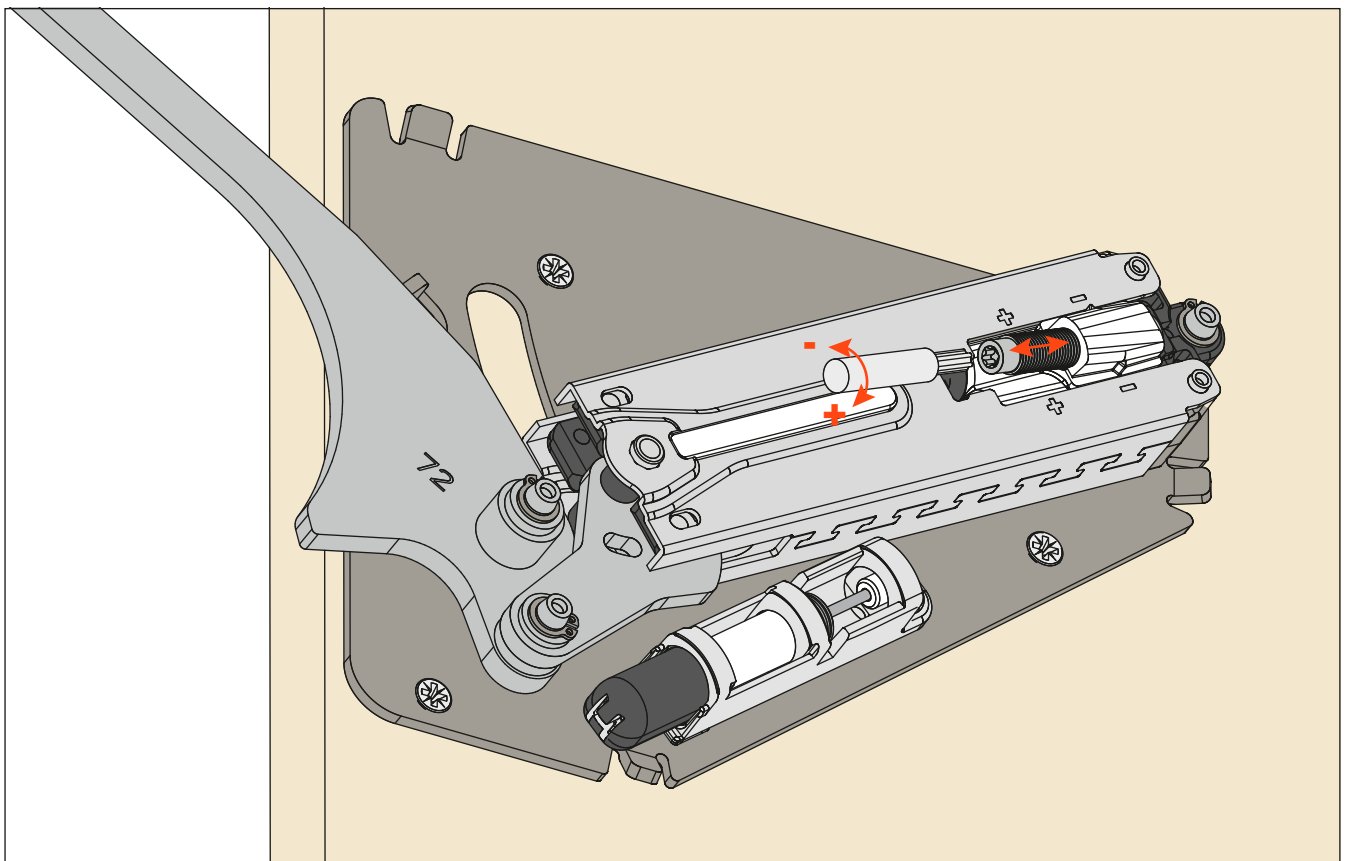


EvoLift - Opening systems - Folding door
Assembly instructions**Withdraw the safety clip.**

Lower the door slightly until the safety clip can be easily withdrawn.

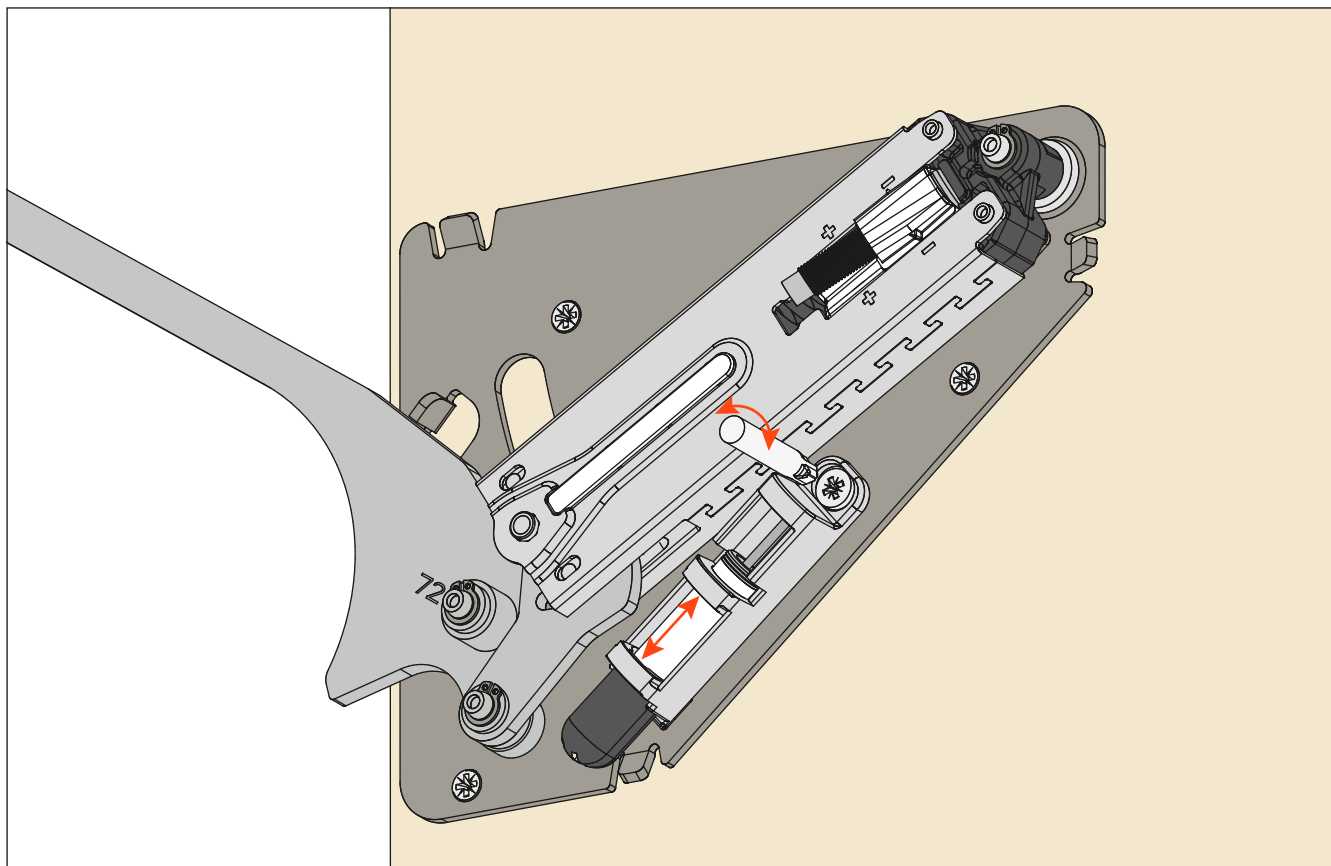
**Adjustment of the system strength.**

Use a Torx bit T20.

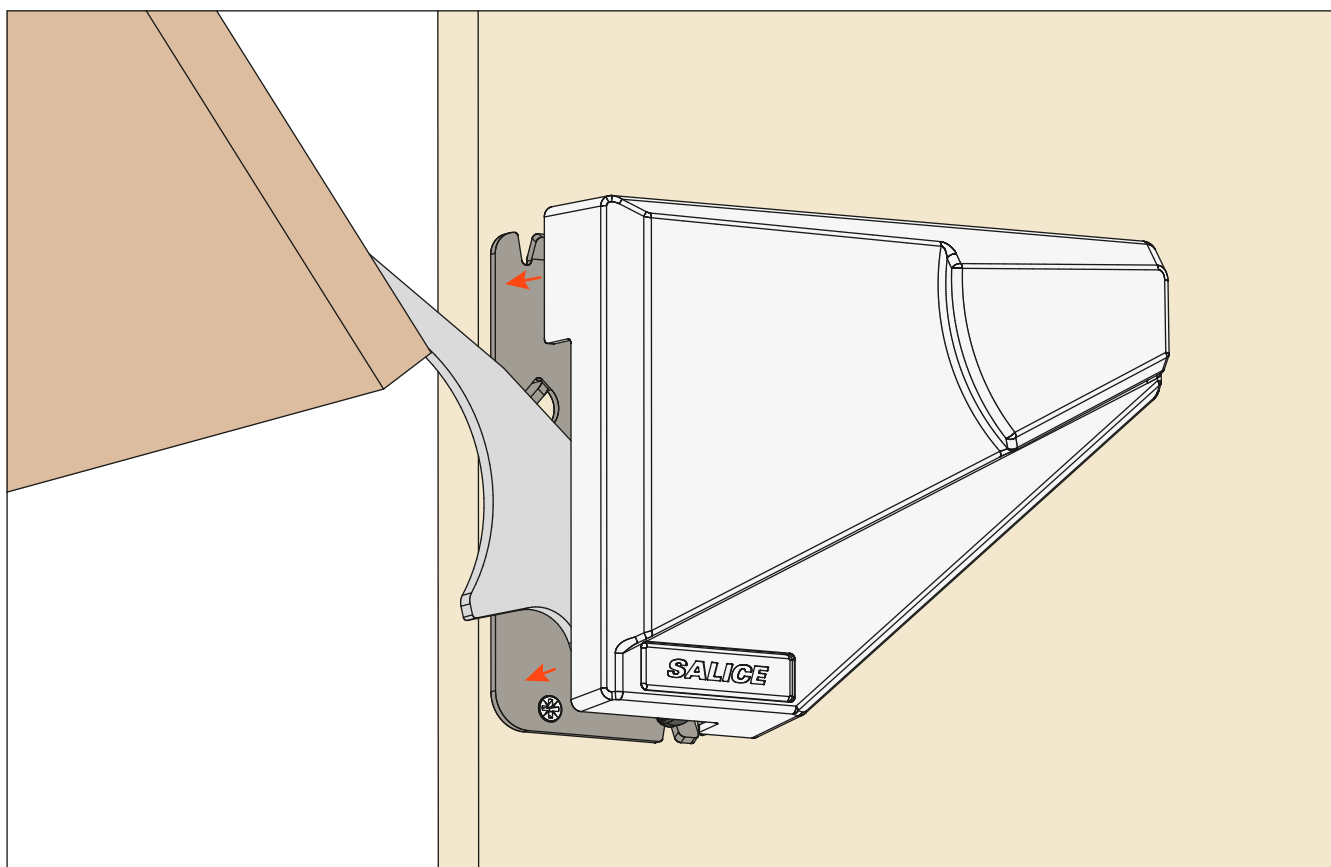


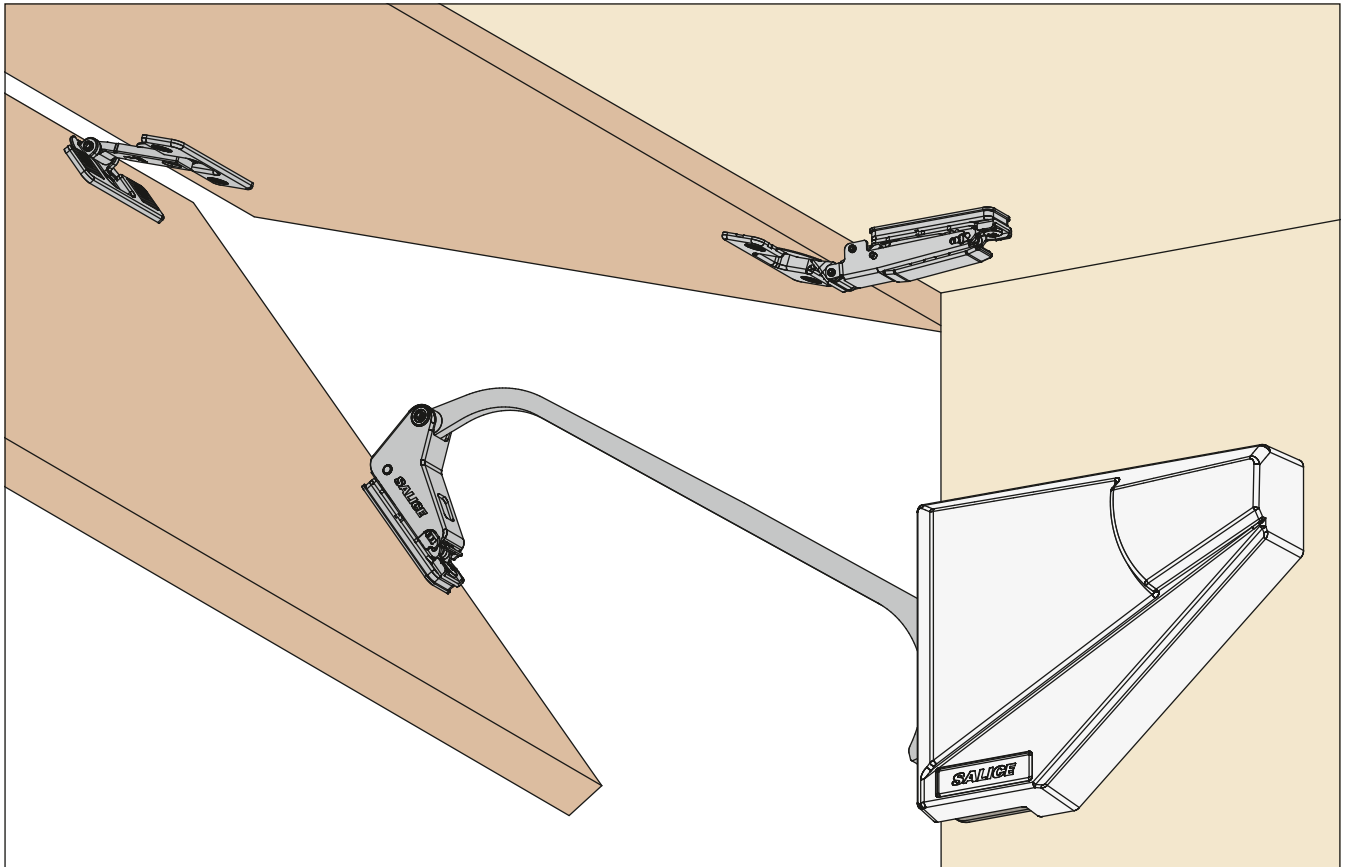
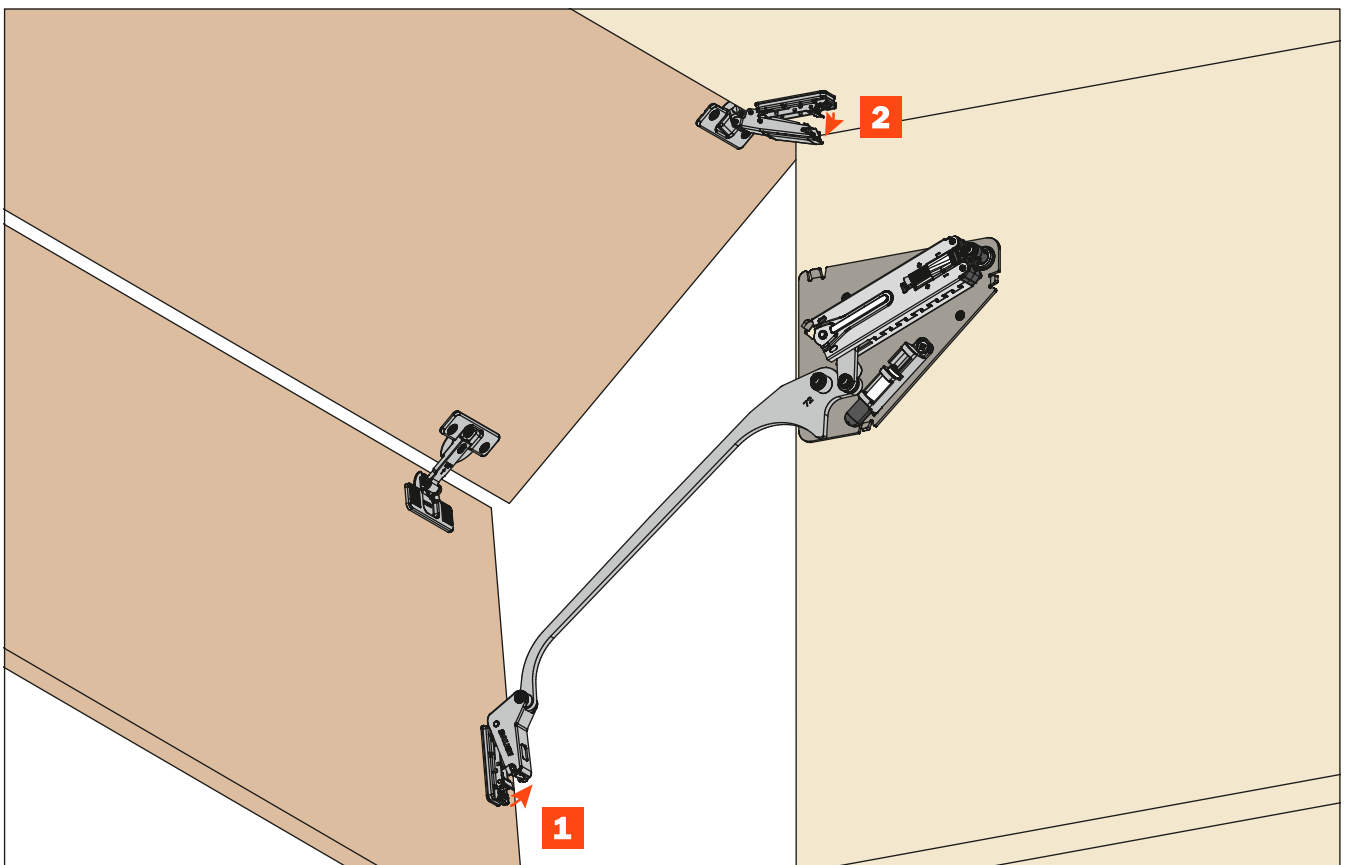


Adjustment of the decelerating effect.



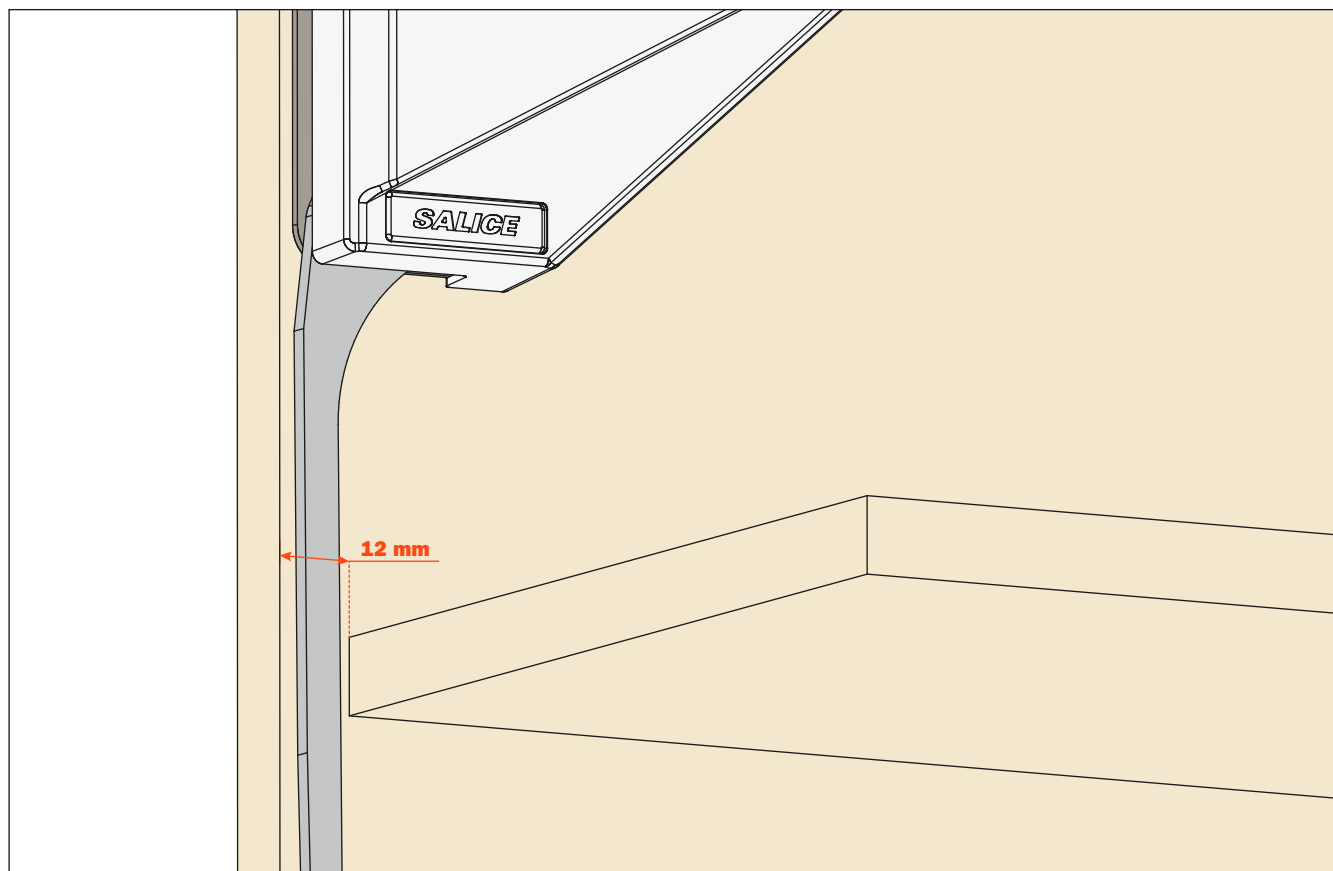
Installing the cover.



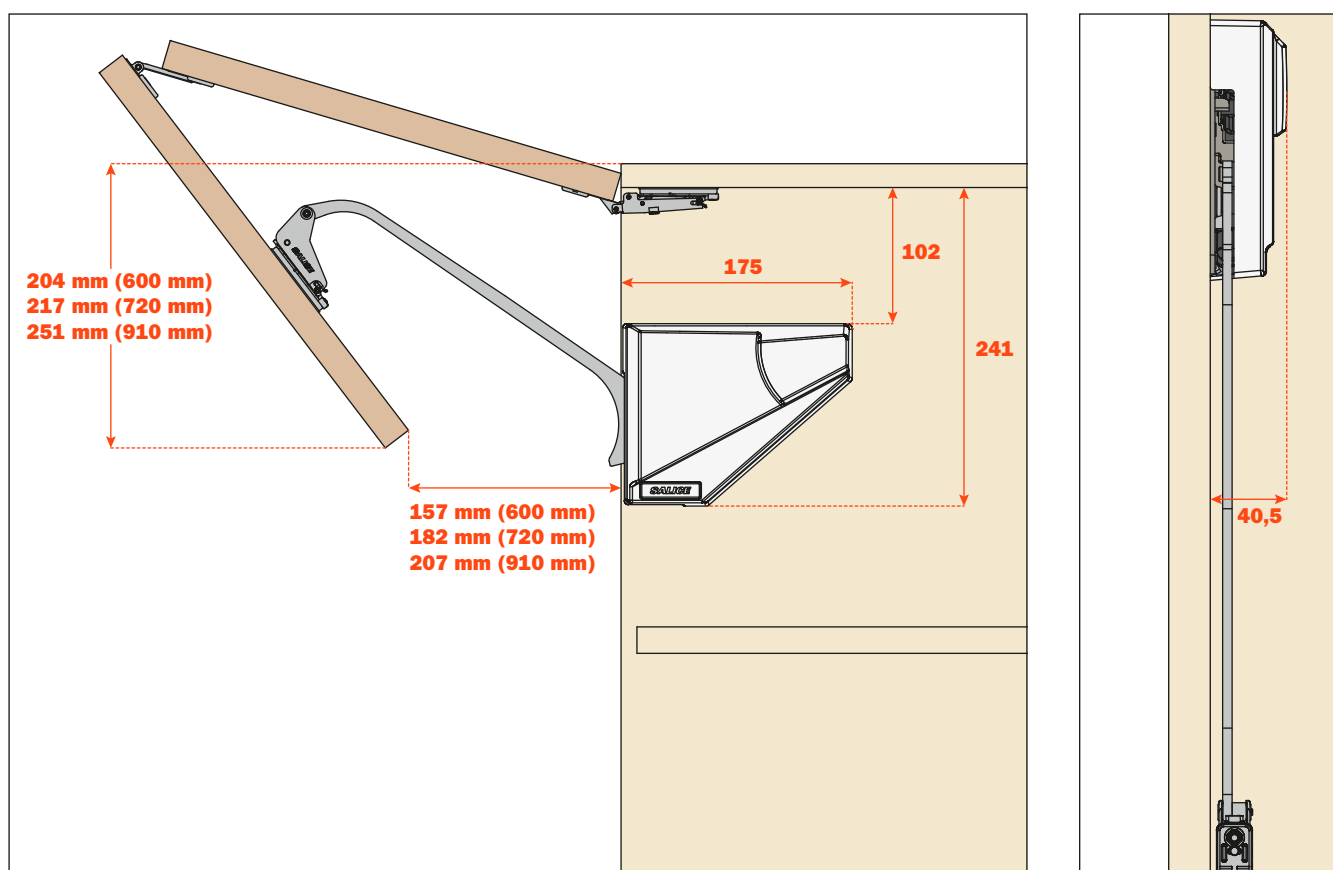
EvoLift - Opening systems - Folding door
Assembly instructions**View of the mounted system.****Removal of the door.**







Dimension of the arm in the closed position.





Dimensions of the system.



EvoLift - Opening systems - Folding door
Part number composition and packing





DOOR-SET PACKING	
	
	
SOFT CLOSE	COVER
FLMF_X SN9	SB_M78A SNXXF
<p>Arm length:</p> <p>60 cm</p> <p>66 cm</p> <p>72 cm</p> <p>78 cm</p> <p>91 cm</p> <p>System strength: D = weak F = strong</p> <p>Cabinet side: D = right S = left</p> <p>Central hinge. To complete the part number see page 31</p>	<p>Cabinet side: D = right S = left</p> <p>Colour: Q = white L = titanium</p>
CARTON	CARTON
1 System 1 Mounting plate BAPGM39/16 2 Central hinges Assembly instructions and template for cabinet side drilling Fixing screws included	1 Cover 1 Cover cap
PALLET	PALLET
96 pcs.	192 pcs.

Components to be ordered separately




	
Hinge for wooden doors or for alu-framed doors 45 mm	Mounting plate for hinges
C2_6A99	BAPGM39/16
To complete the part number see page 32	
PACKING	PACKING
Boxes with 300 pcs.	Boxes with 300 pcs.



INDUSTRIAL PACKING

	
	
SOFT CLOSE	COVER
<p style="text-align: center; color: red; font-weight: bold;">FLMI_X_SN9</p> <div style="display: flex; justify-content: space-around;"> <div style="border: 1px solid black; padding: 5px;"> <p>Arm length:</p> <p>60 cm</p> <p>66 cm</p> <p>72 cm</p> <p>78 cm</p> <p>91 cm</p> </div> <div style="border: 1px solid black; padding: 5px;"> <p>System strength:</p> <p>D = weak</p> <p>F = strong</p> </div> <div style="border: 1px solid black; padding: 5px;"> <p>Cabinet side:</p> <p>D = right</p> <p>S = left</p> </div> </div>	<p style="text-align: center; color: red; font-weight: bold;">SB_M78A_SNXXI</p> <div style="display: flex; justify-content: space-around;"> <div style="border: 1px solid black; padding: 5px;"> <p>Cabinet side:</p> <p>D = right</p> <p>S = left</p> </div> <div style="border: 1px solid black; padding: 5px;"> <p>Colour:</p> <p>Q = white</p> <p>L = titanium</p> </div> </div>
<p>CARTON</p> <p>8 Systems</p> <p>1 Bag with 8 mounting plates BAPGM39/16</p> <p>Assembly instructions</p> <p>Fixing screws included</p>	<p>CARTON</p> <p>8 Covers</p> <p>1 Bag with 8 cover caps</p>

Components to be ordered separately

		
<p>Hinge for wooden doors or for alu-framed doors 45 mm</p> <p style="color: red; font-weight: bold; font-size: 1.2em;">C2_6A99</p> <p>To complete the part number see page 30</p>	<p>Central hinge</p> <p style="color: red; font-weight: bold; font-size: 1.2em;">FLC_E9R</p> <p>To complete the part number see page 31</p>	<p>Mounting plate for hinges</p> <p style="color: red; font-weight: bold; font-size: 1.2em;">BAPGM39/16</p>
<p>PACKING</p> <p>Boxes with 300 pcs.</p>	<p>PACKING</p> <p>Boxes with 150 pcs.</p>	<p>PACKING</p> <p>Boxes with 300 pcs.</p>



EvoLift - Opening systems - Folding door

Charts to select the strength of the system for a single-operation door opening

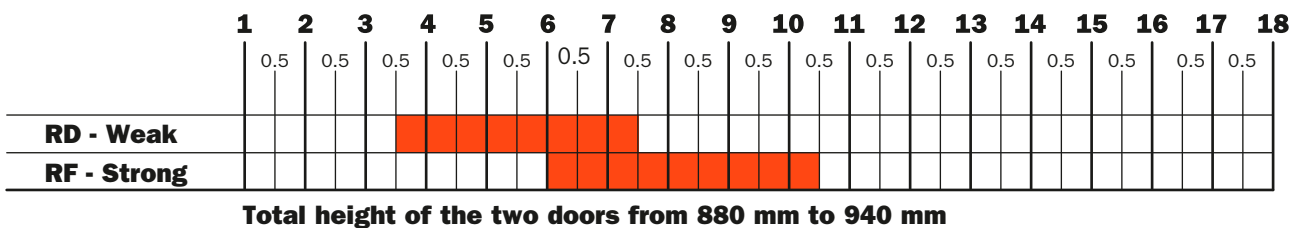
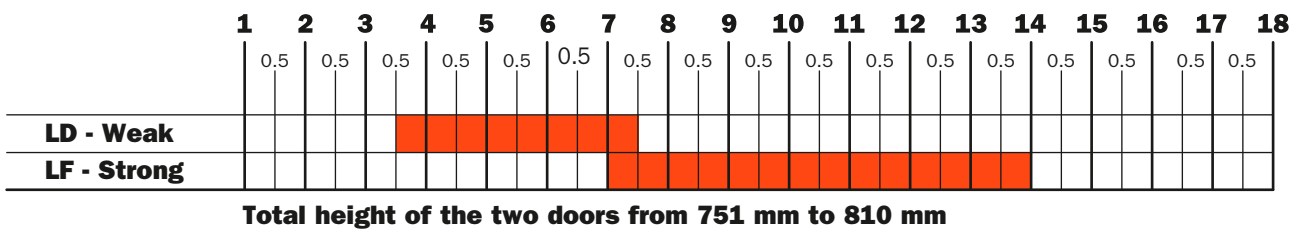
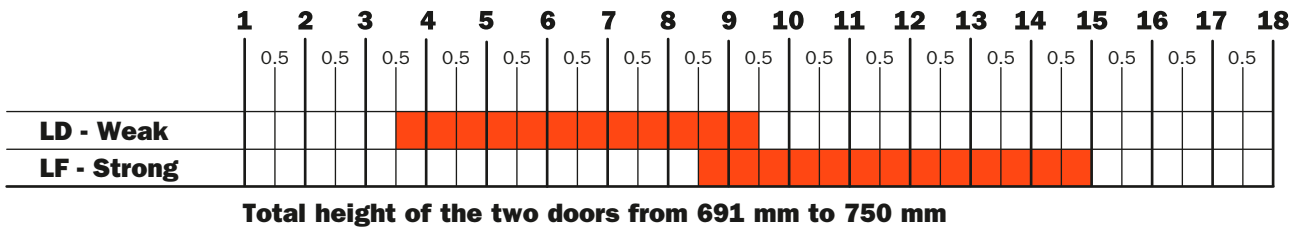
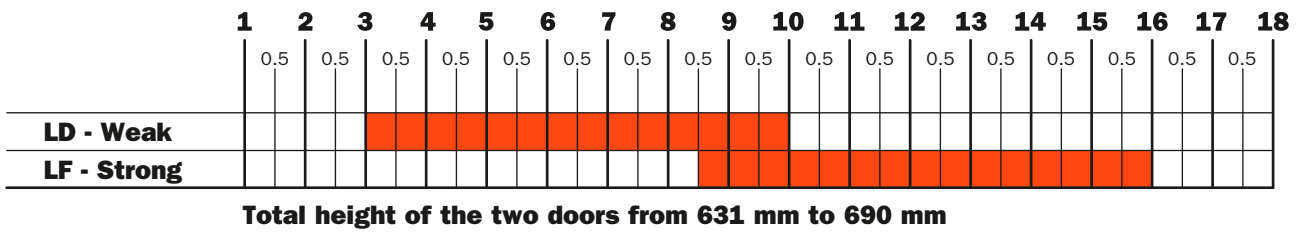
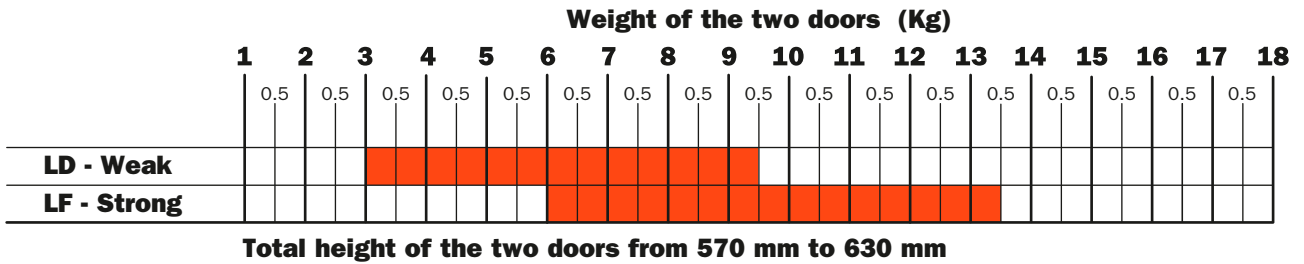
Charts to select the exact system suitable for the dimensions and weight of the door.

The indicated weight capacities refer to a pair of arms.

For doors of small weight and dimensions, it is possible to use one system only, right or left version.

It is suggested that some assembly trials are made.

Our technical Assistance Service is at your disposal for any additional information.





EvoLift • Opening systems
Parallel opening door

EvoLift - Opening systems - Parallel opening door

For doors from 360 mm to 440 mm height and for doors from 440 mm to 600 mm height





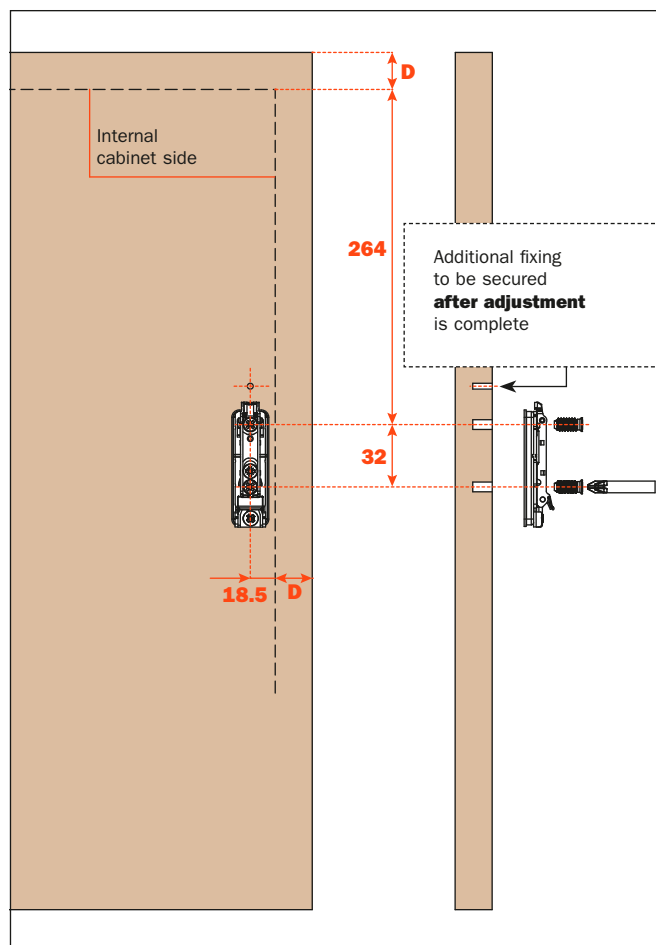
EvoLift - Opening systems - Parallel opening door

Assembly instructions

Drilling pattern for wooden door.

For doors from 360 mm to 440 mm height.

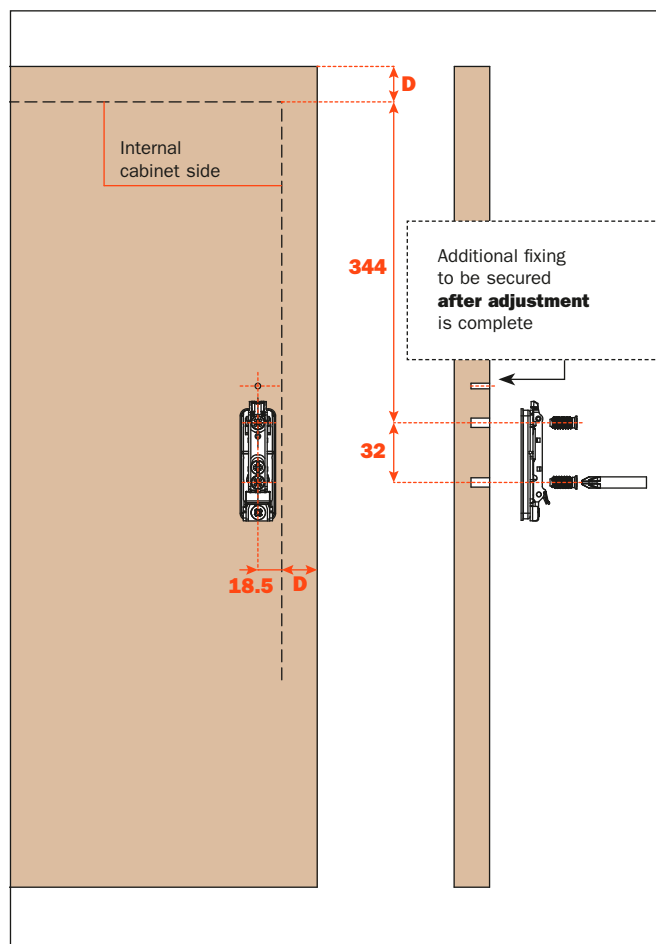
D = Sideways and upper overlay



Drilling pattern for wooden door.

For doors from 440 mm to 600 mm height.

D = Sideways and upper overlay

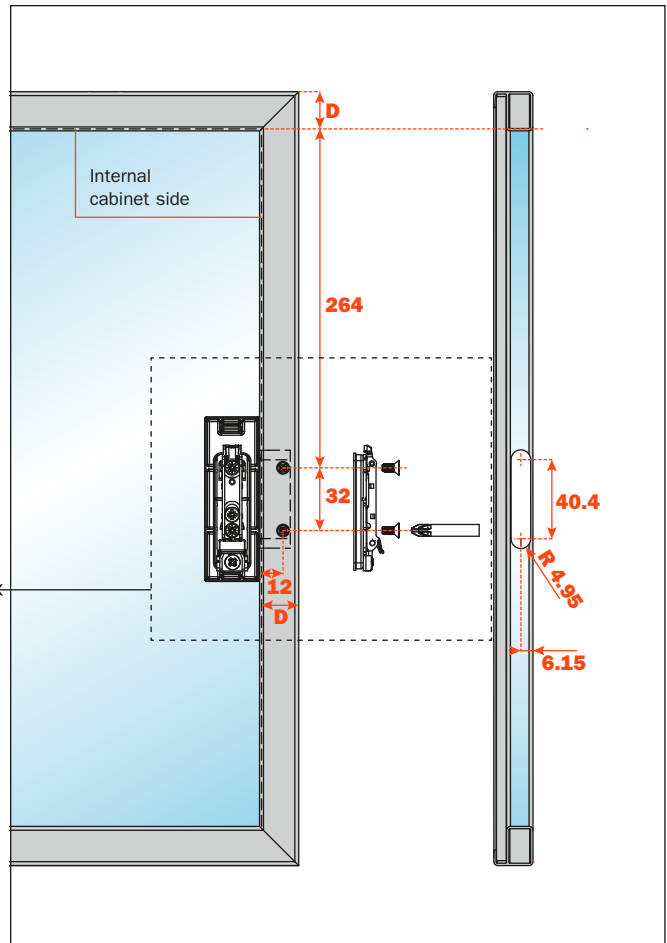
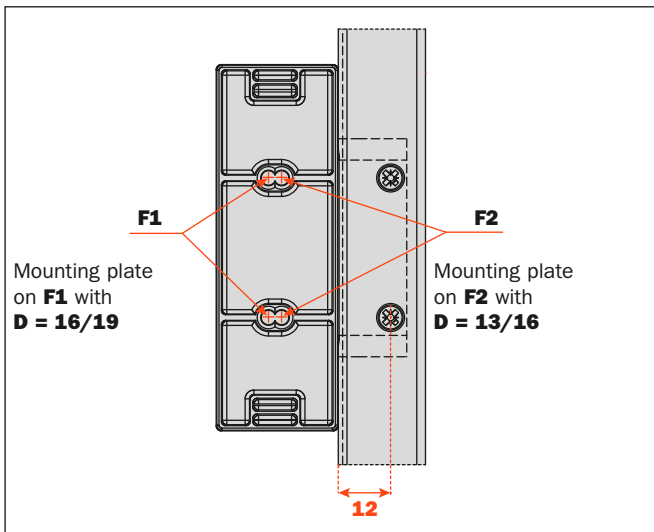




**Drilling pattern for alu-framed door.
For doors from 360 mm to 440 mm height.**

For alu-framed door, fix the mounting plate to the appropriate adapter (**DBZXBH9**).

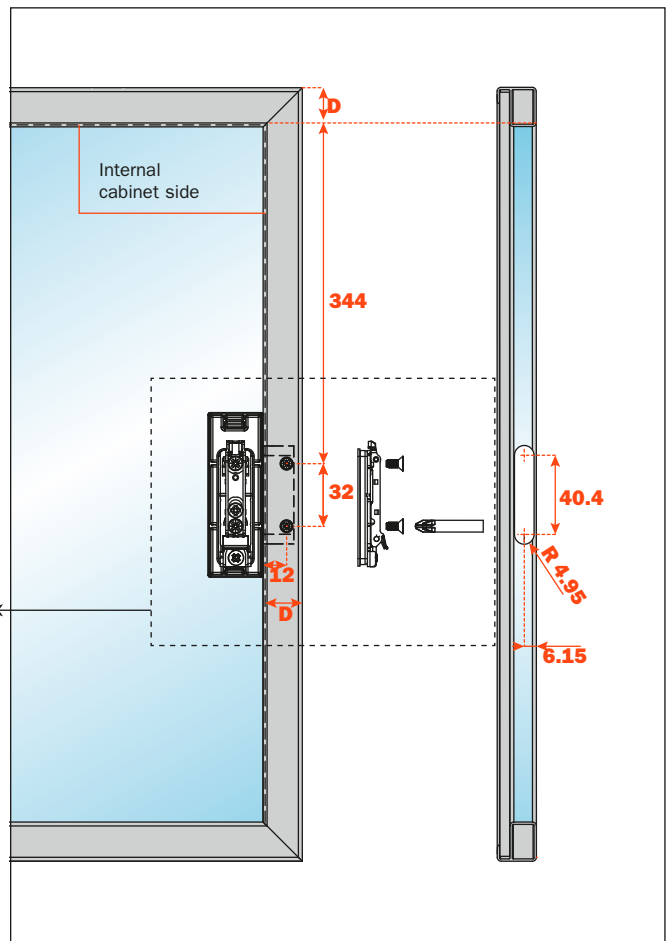
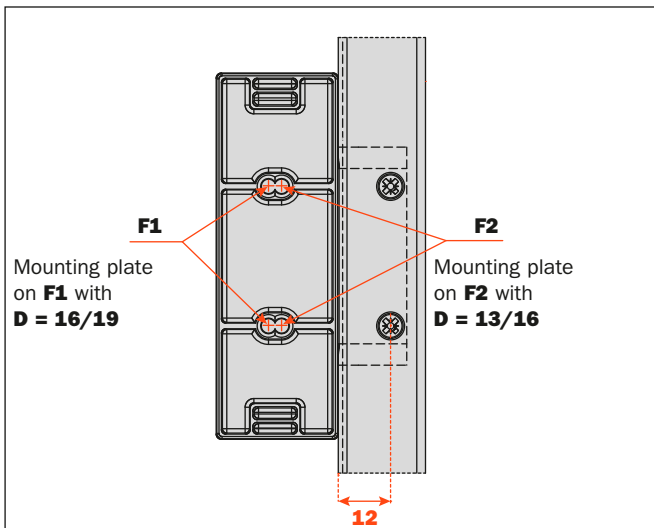
D = Sideways and upper overlay

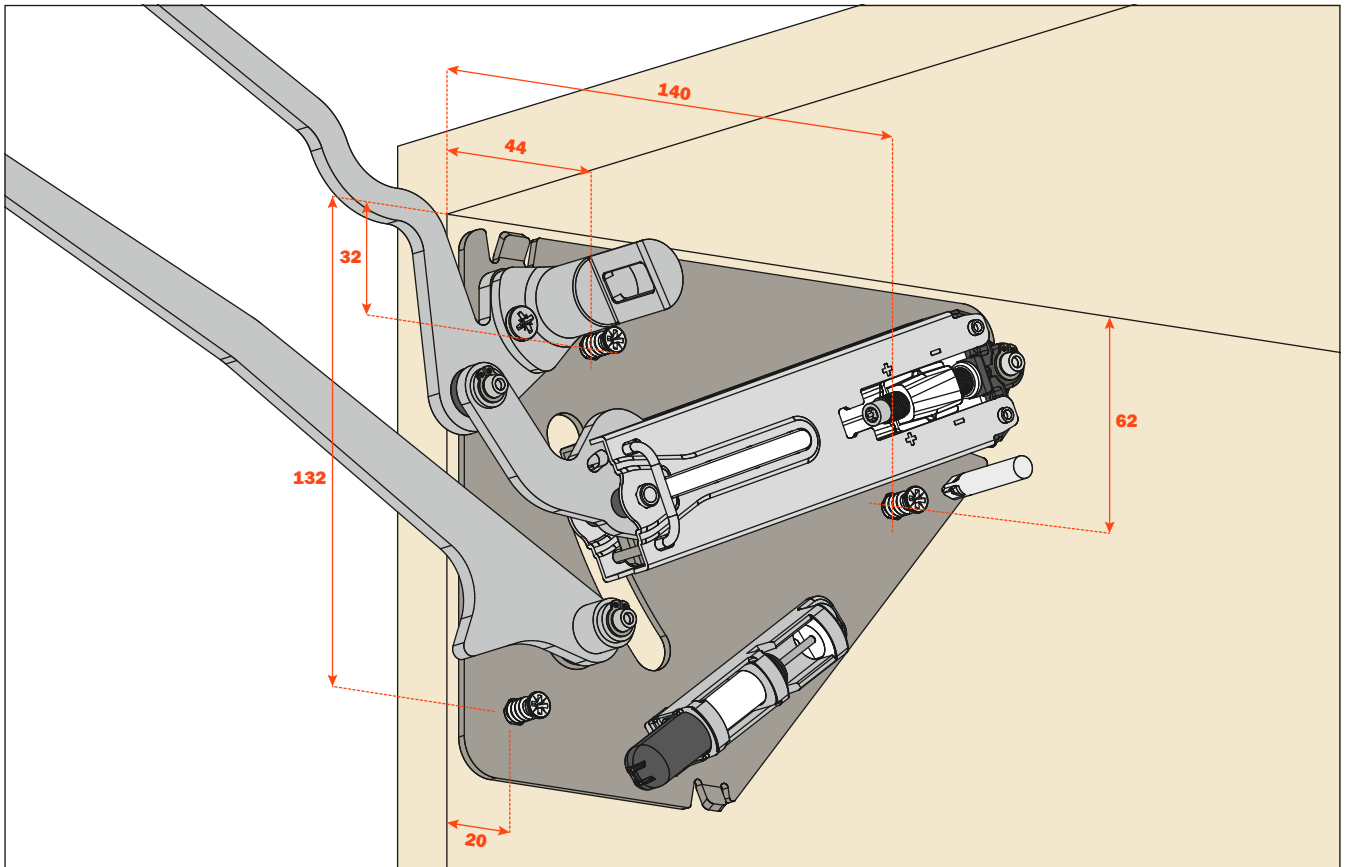
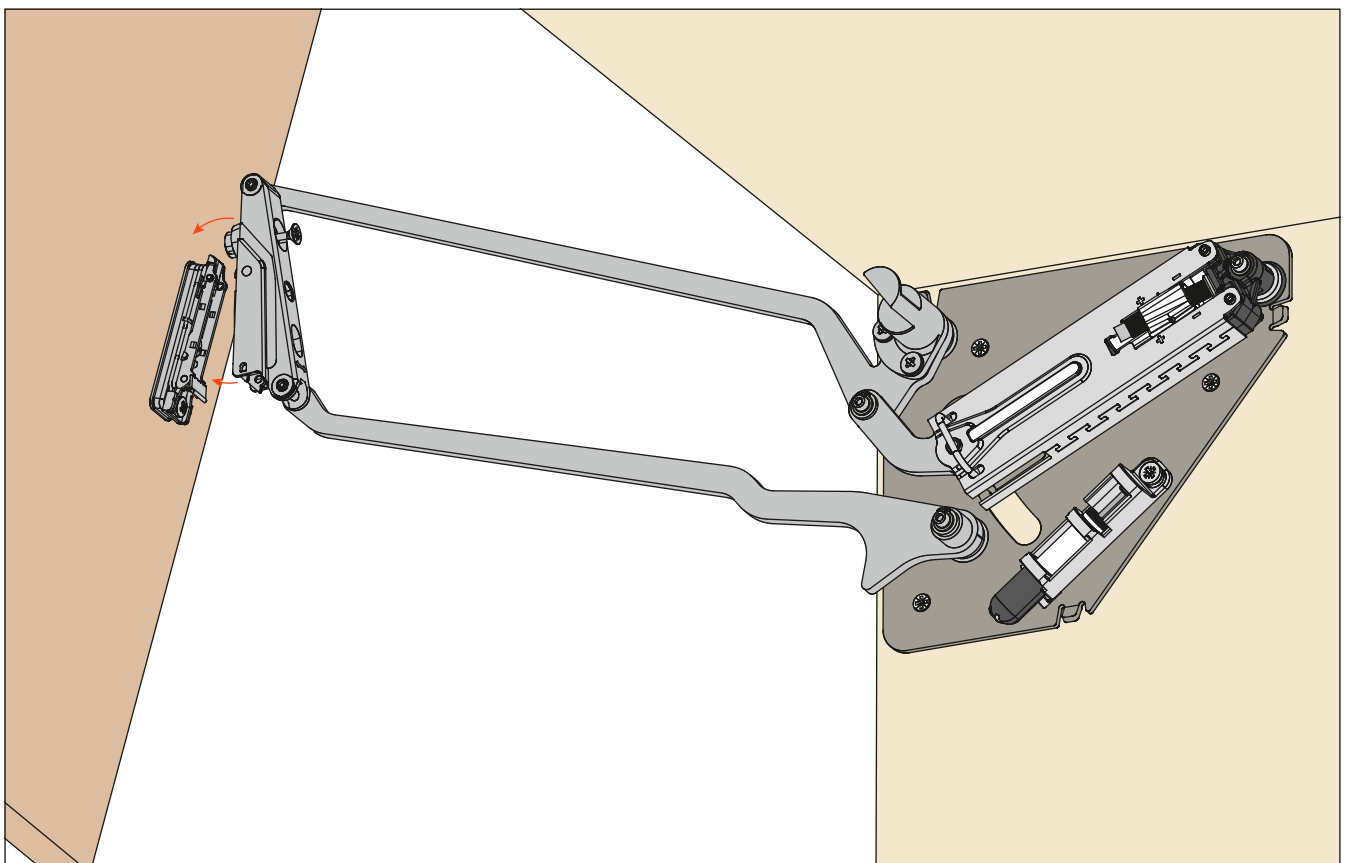


**Drilling pattern for alu-framed door.
For doors from 440 mm to 600 mm height.**

For alu-framed door, fix the mounting plate to the appropriate adapter (**DBZXBH9**).

D = Sideways and upper overlay

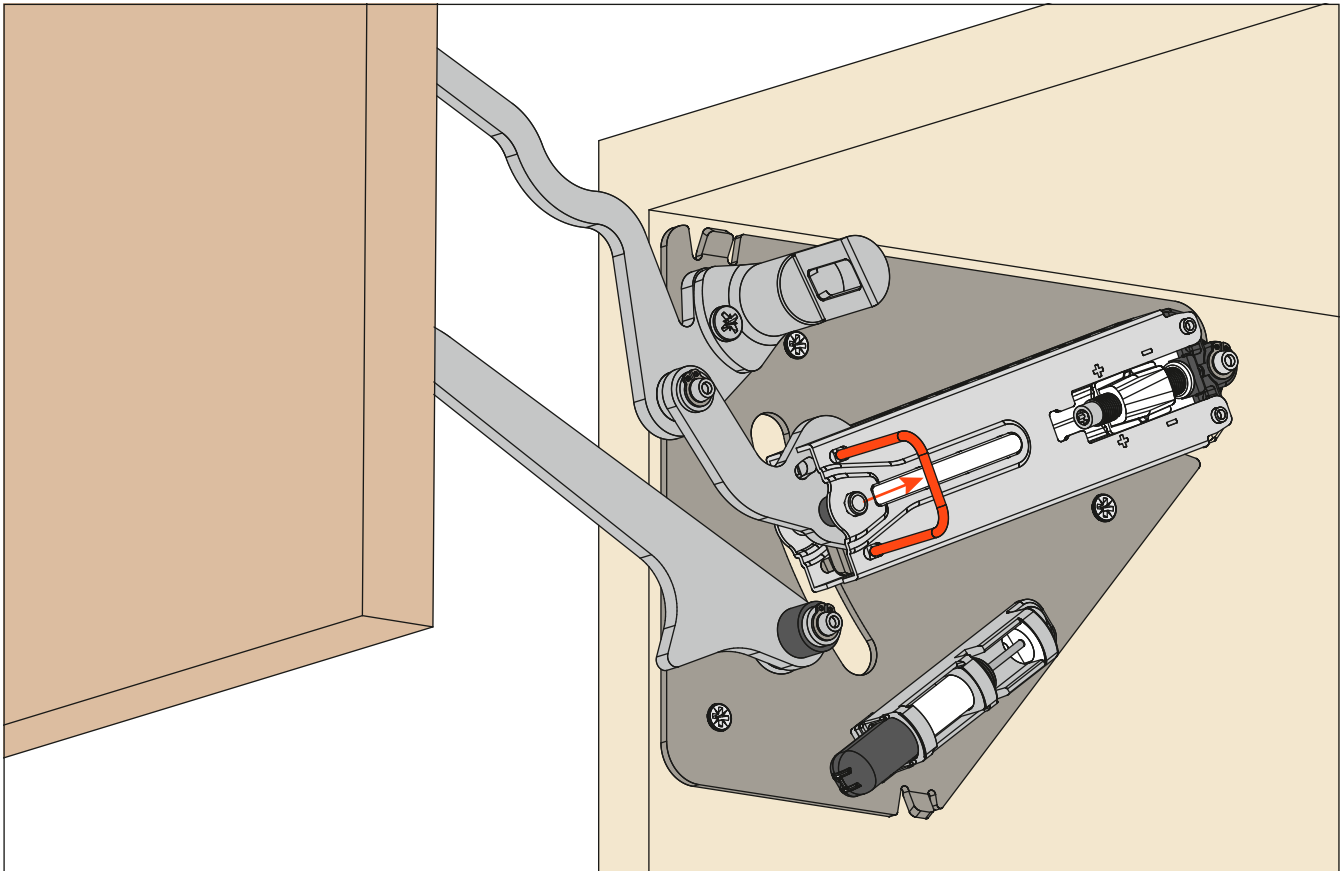


EvoLift - Opening systems - Parallel opening door**Assembly instructions****Fixing the system to the cabinet side.****Fitting the door to the cabinet.**

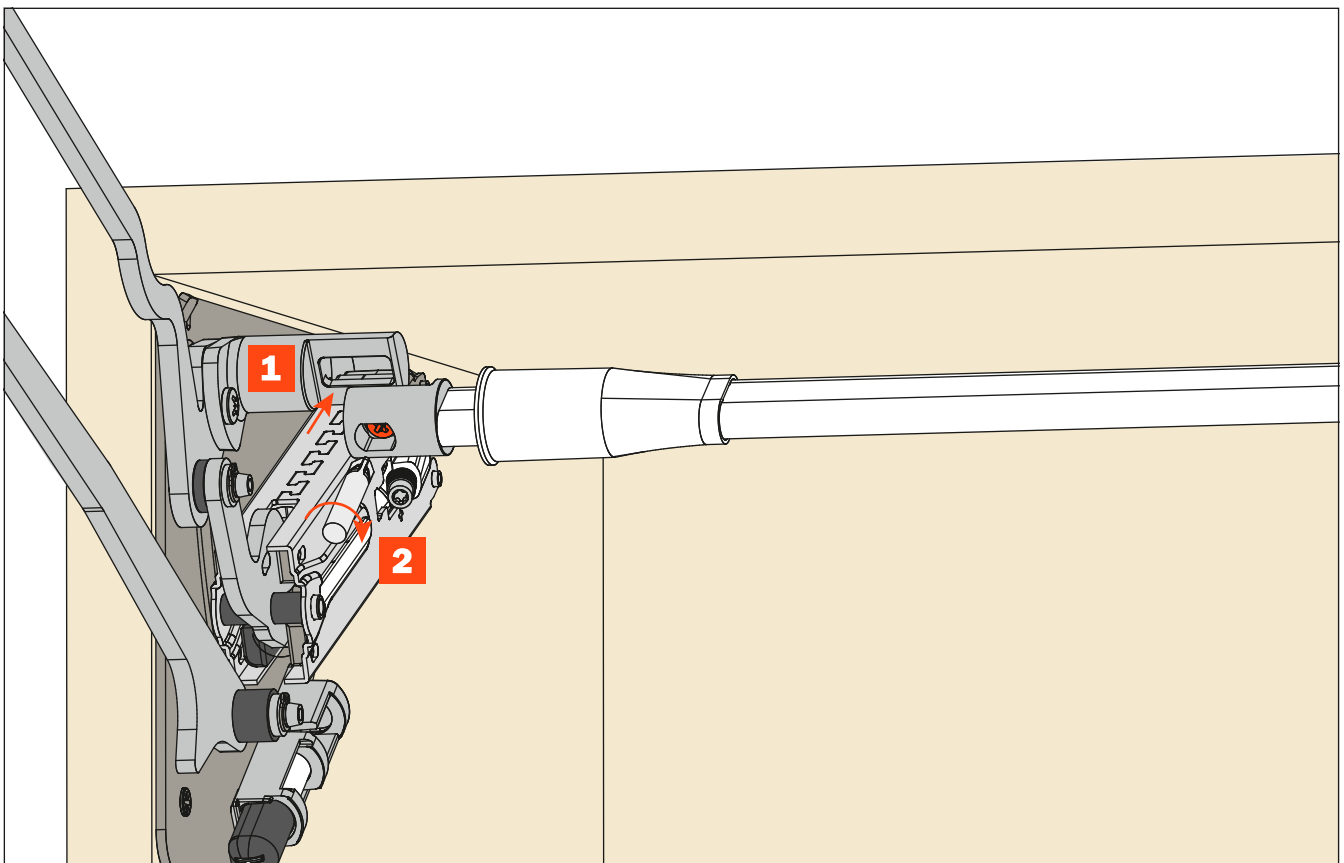


Withdraw the safety clip.

Lower the door slightly until the safety clip can be easily withdrawn.

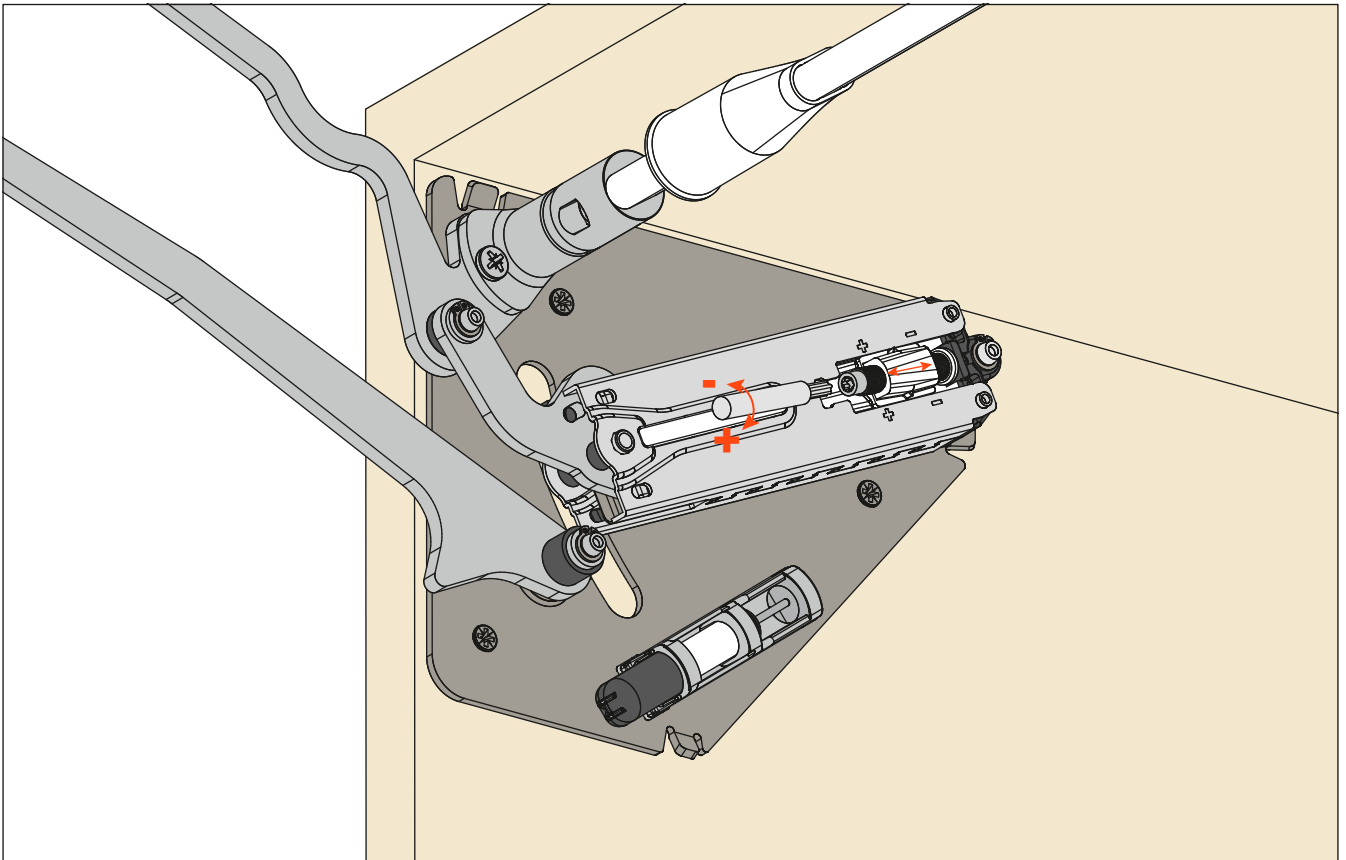
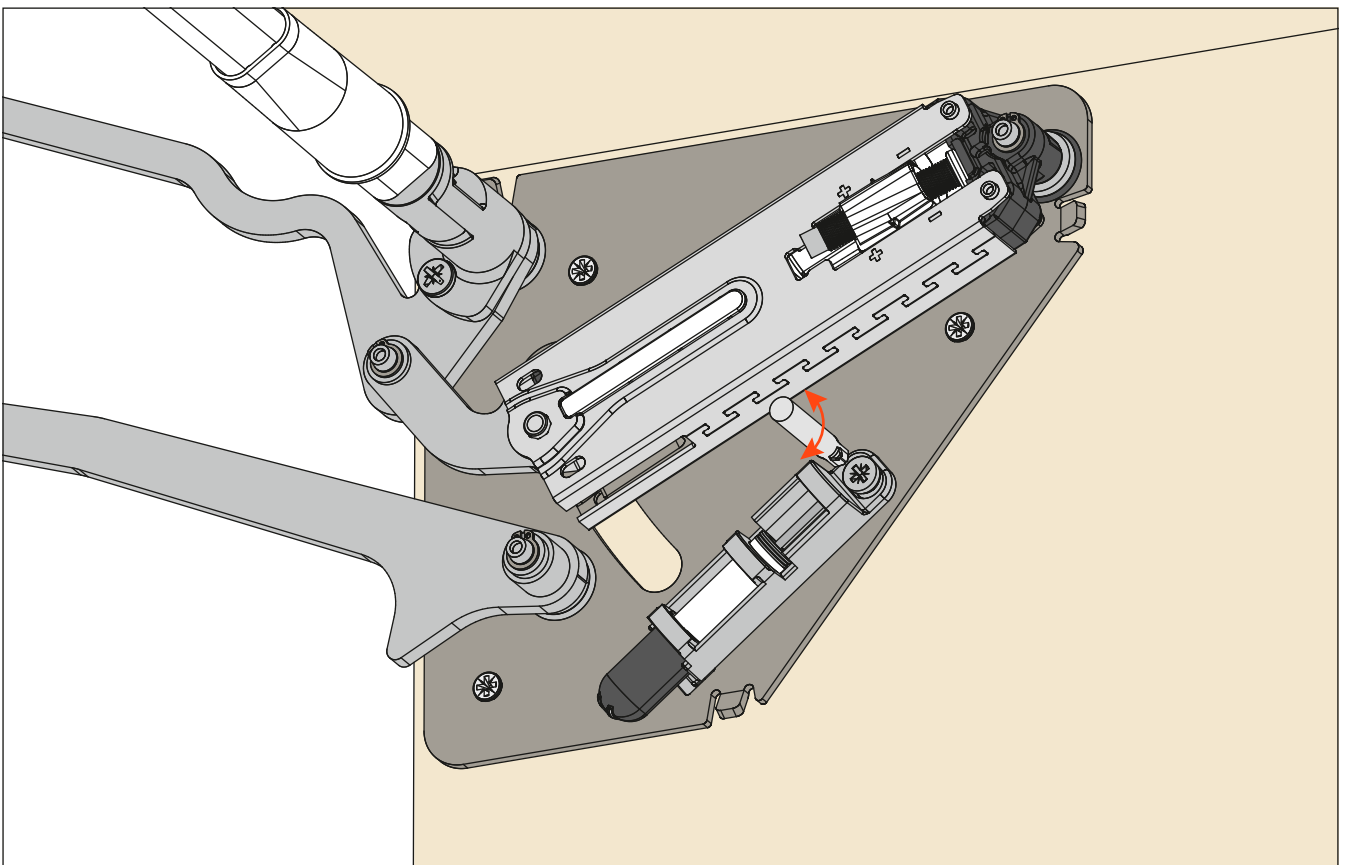


Fitting the stabiliser bar.



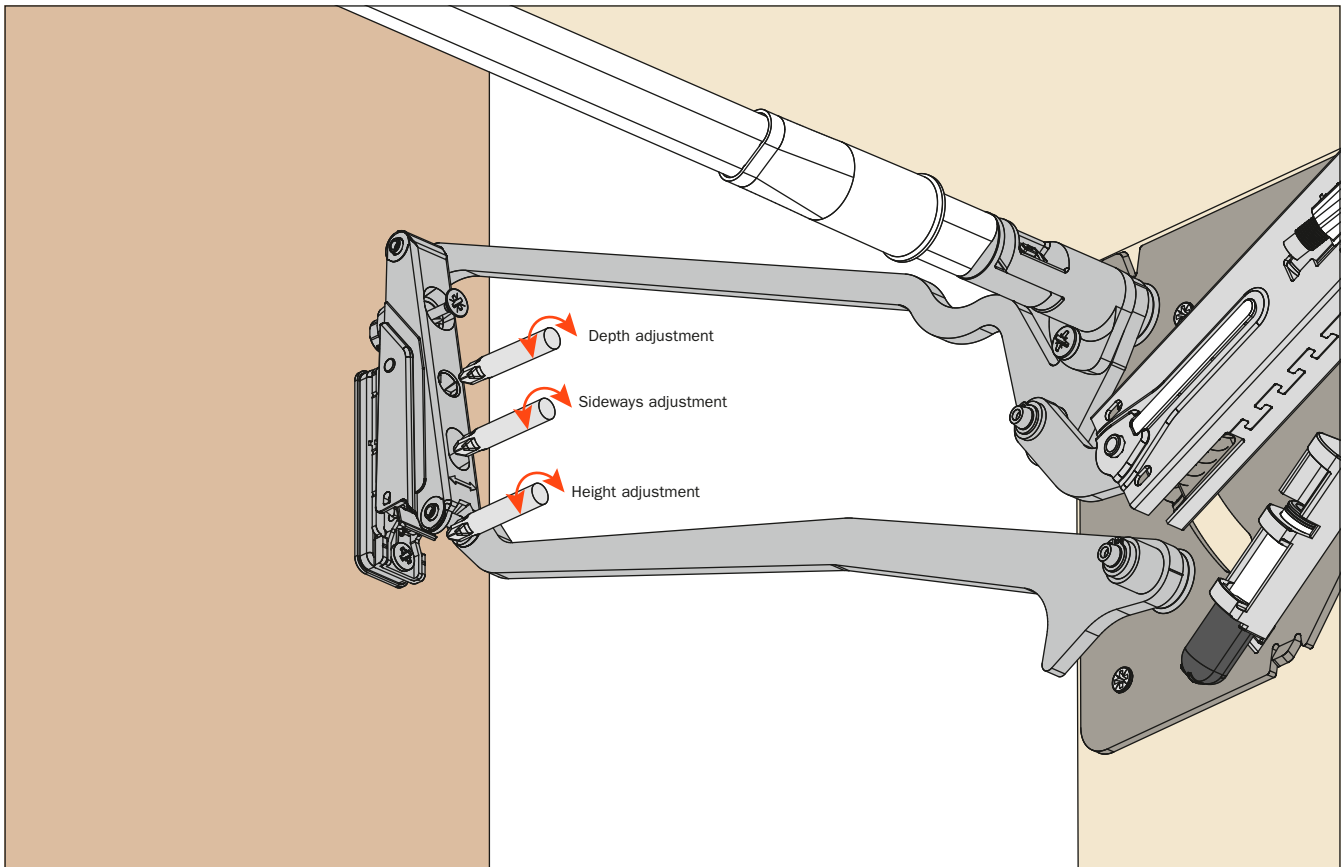
EvoLift - Opening systems - Parallel opening door**Assembly instructions****Adjustment of the system strength.**

Use a Torx bit T20.

**Adjustment of the decelerating effect.**

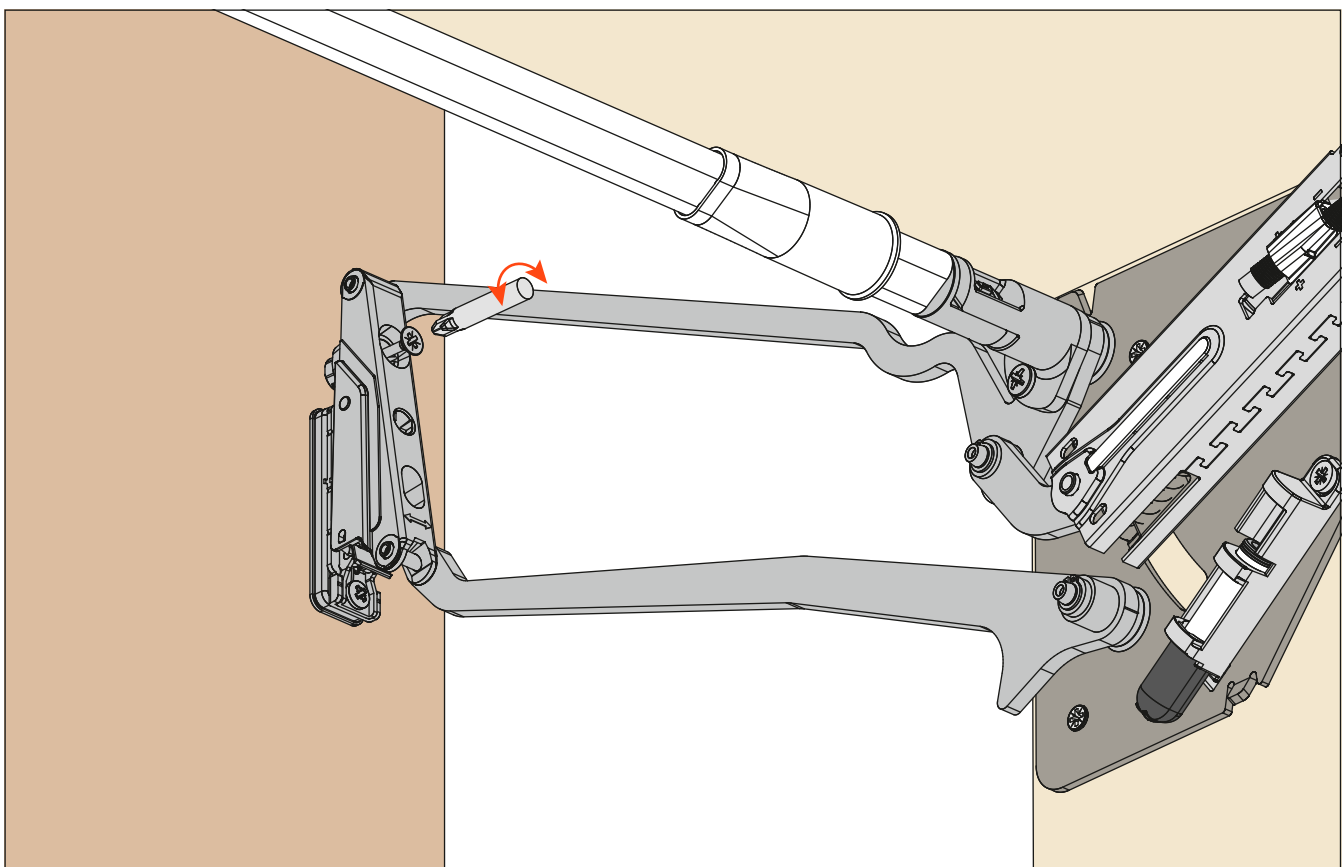


Adjustments of the door.



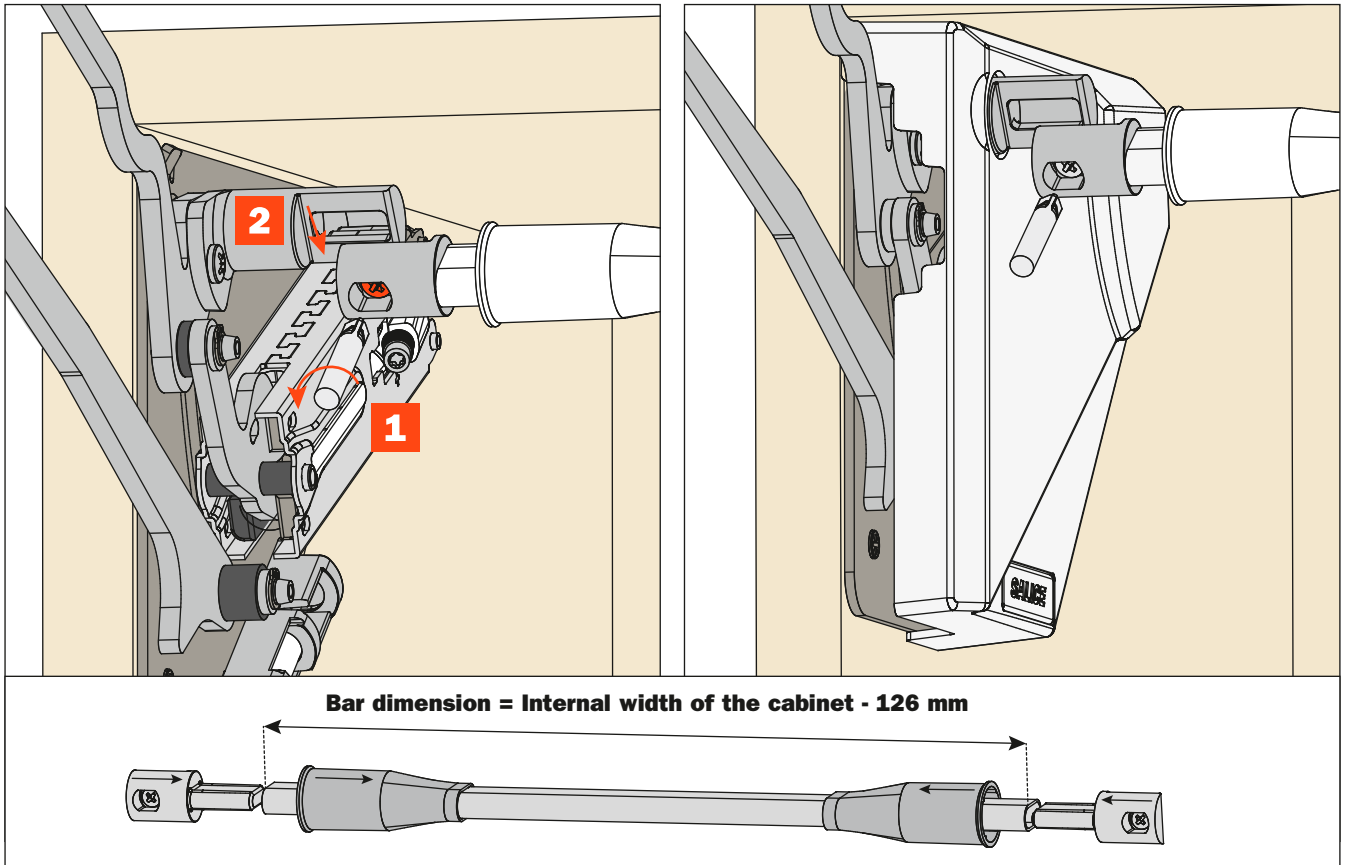
Additional fixing to be secured after adjustment is complete.

For alu-framed door, replace the indicated screw with the one in the package with the adpter DBZXBH9.

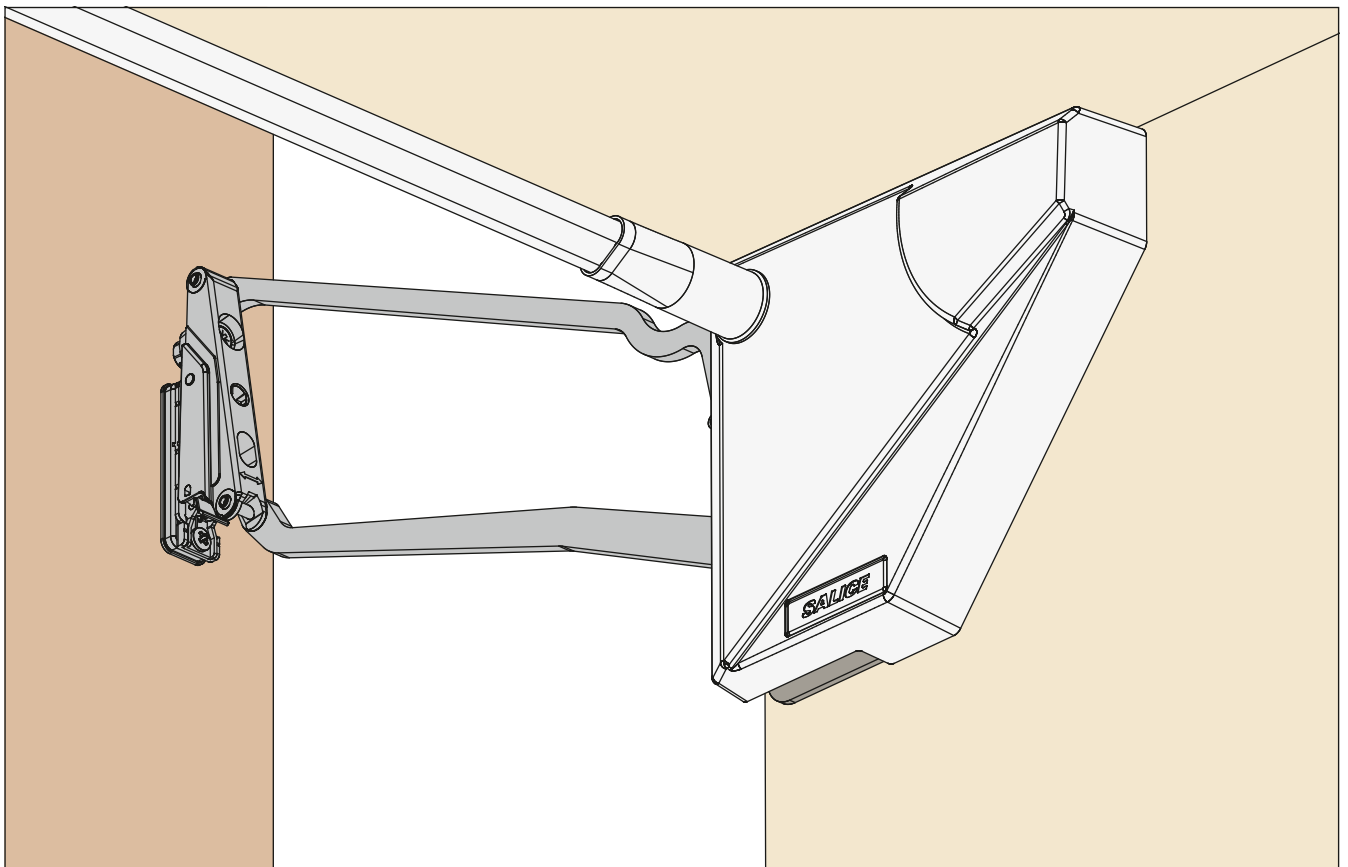


EvoLift - Opening systems - Parallel opening door**Assembly instructions**

**After adjustments are complete, detach the stabiliser bar to install the cover.
Then re-attach the stabiliser bar.**



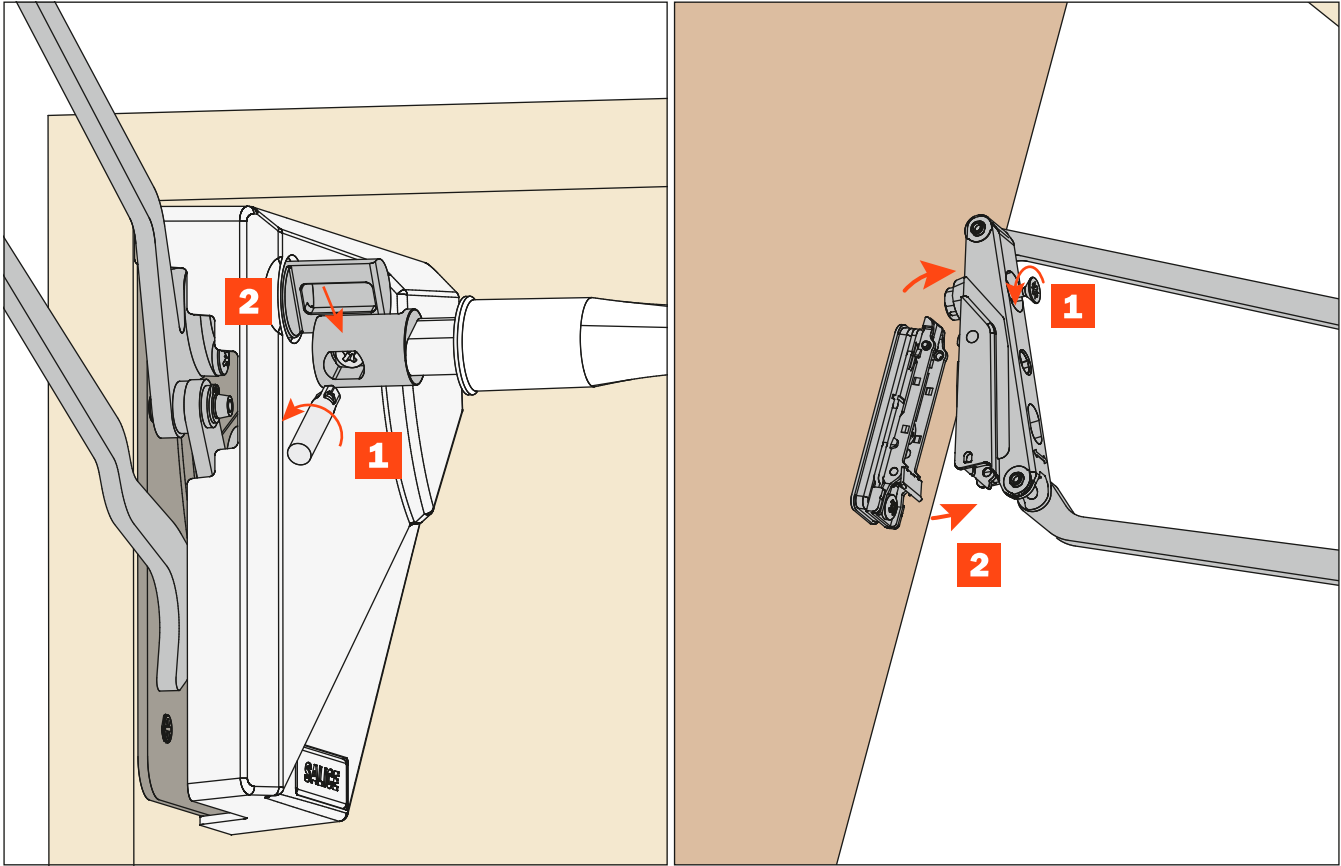
View of the mounted system.

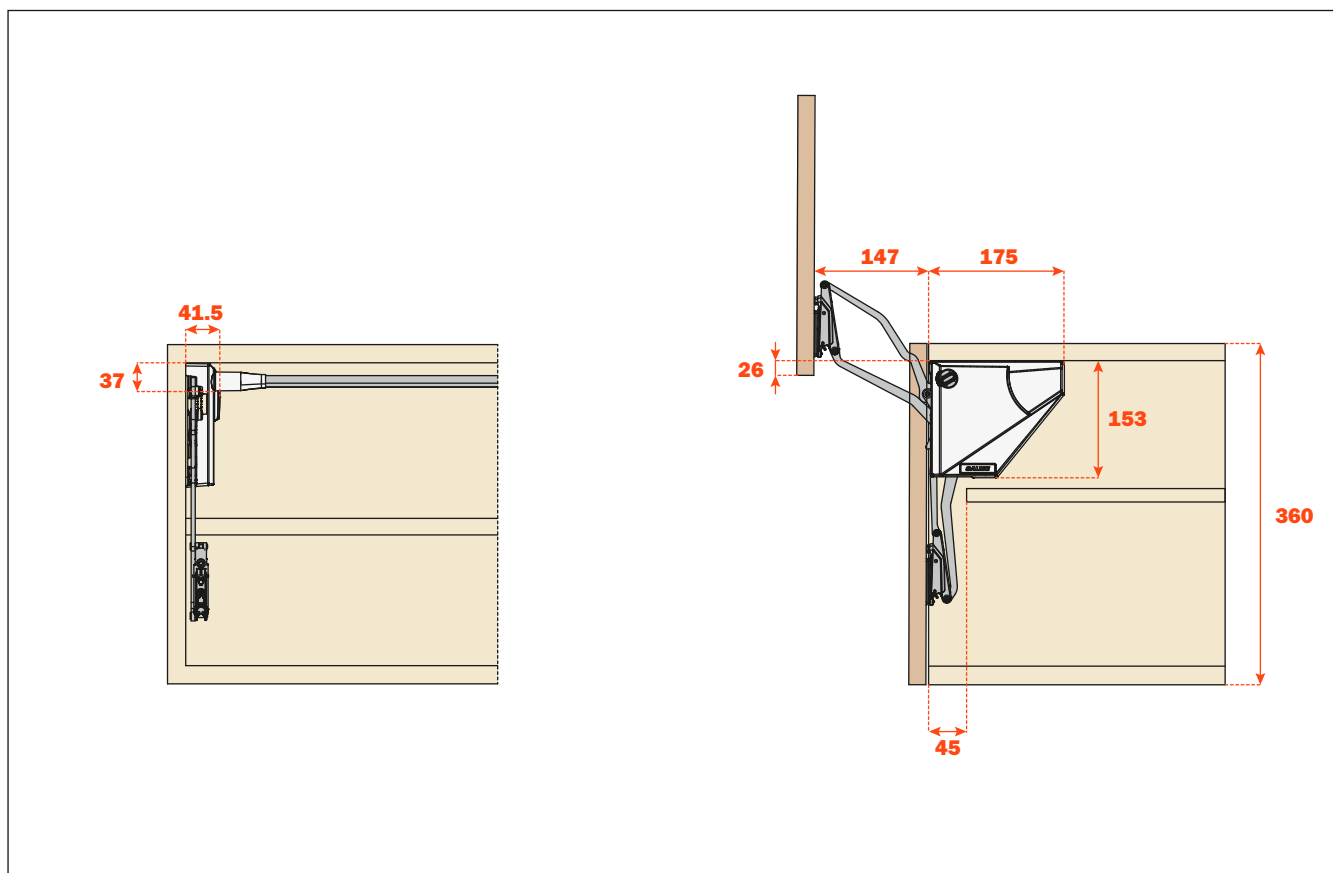
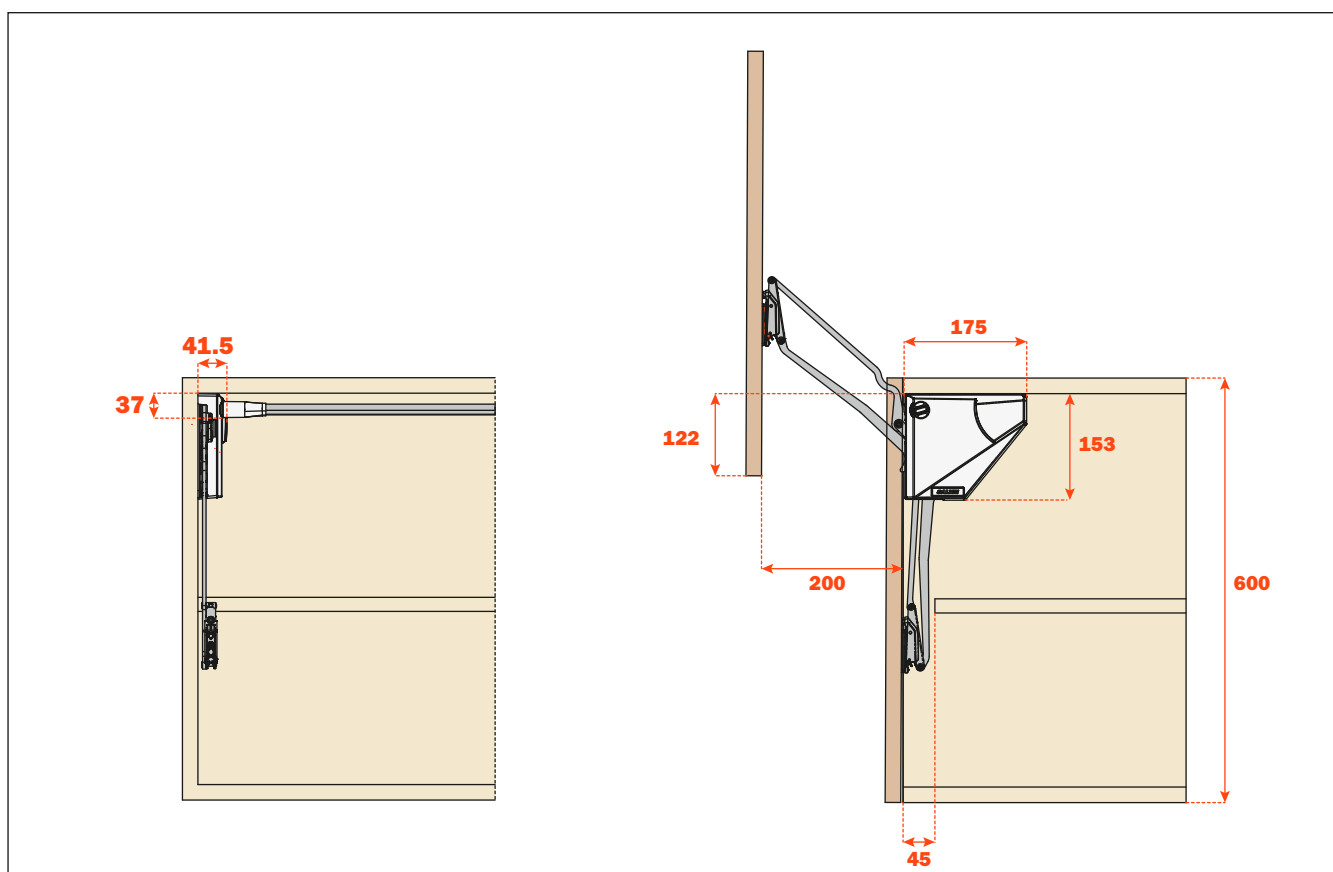




Removal of the door.

Disconnect the stabiliser bar, pull the cover out, loosen the additional fixing screw and disconnect the arm from the door.

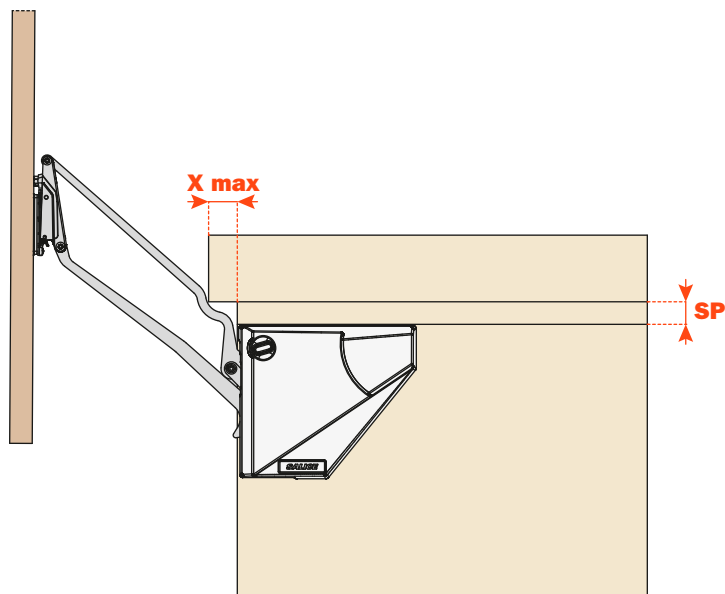


EvoLift - Opening systems - Parallel opening door**FPMXC****Dimensions of the system for doors from 360 mm to 440 mm height.****FPMXL****Dimensions of the system for doors from 440 mm to 600 mm height.**

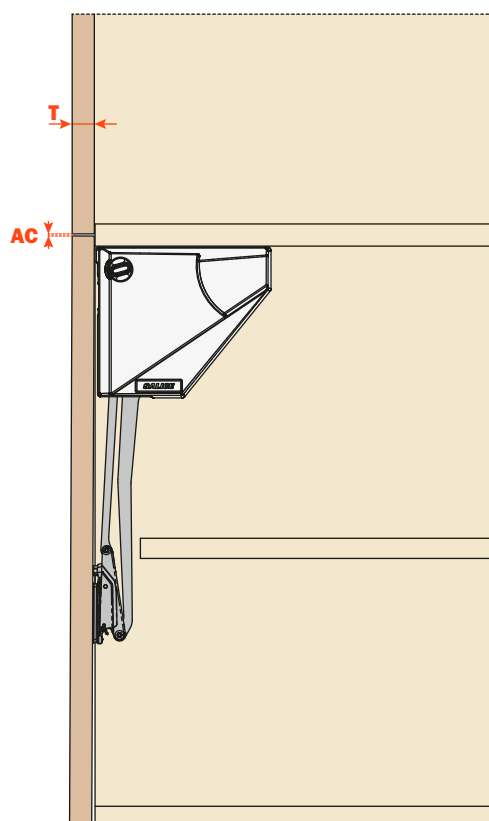


Kinematic motion of the system.

FPM_C		FPM_L	
SP	X max	SP	X max
16	29	16	25
18	31	18	27
19	31	19	28
20	32	20	28
22	33	22	29





FPM_C		FPM_L	
T	AC min.	T	AC min.
19	3	19	2
22	3,5	22	2,5
25	4	25	3





EvoLift - Opening systems - Parallel opening door

Part number composition and packing



DOOR-SET PACKING		
		
SOFT CLOSE		COVER
FPMF_XX_SN9		SPXM78A_SNXXF
<p>Arm length: C = short (for doors from 360 mm to 440 mm height) L = long (for doors from 440 mm to 600 mm height)</p>	<p>System strength: D = weak F = strong</p>	<p>Colour: Q = white L = titanium</p>
CARTON		CARTON
<p>1 System - right side 1 System - left side 2 Mounting plates BAPGM39/16 Assembly instructions and template for cabinet side drilling Fixing screws included</p>		<p>1 Cover - right side 1 Cover - left side 2 Cover Caps</p>
PALLET	PALLET	PALLET
<p>Arm length for doors from 360 mm to 440 mm height (C) 48 Pairs</p>	<p>Arm length for doors from 440 mm to 600 mm height (L) 96 Pairs</p>	<p>96 Pairs</p>

Components to be ordered separately



	
<p>Support for plate for alu-framed doors min. 17 mm max. 24 mm</p>	<p>Stabiliser bar</p>
DBZXBH9	FPMF59
<p>Screws to fix the mounting plate to the support and additional fixing screw included (see page 45)</p>	<p>Colour: Q = white L = titanium</p> <p>Bar length: X439 = for cabinet width from 600 mm X739 = for cabinet width from 900 mm 1039 = for cabinet width from 1200 mm</p>
PACKING	PACKING
<p>Boxes with 150 pcs.</p>	<p>Boxes with: 1 bar · 2 sleeves · 2 ends of the bar</p>



INDUSTRIAL PACKING

		
SOFT CLOSE		COVER
FPMI_XX_SN9		SPXM78A_SNXXI
Arm length: C = short (for doors from 360 mm to 440 mm height) L = long (for doors from 440 mm to 600 mm height)	System strength: D = weak F = strong	Colour: Q = white L = titanium
CARTON		CARTON
4 Systems - right side · 4 Systems - left side · 1 Bag with 8 mounting plates BAPGM39/16 · Assembly instructions · Fixing screws included		4 Covers - right side · 4 Covers - left side · 1 Bag with 8 cover caps
PALLET		PALLET
96 Pairs		96 Pairs

Components to be ordered separately

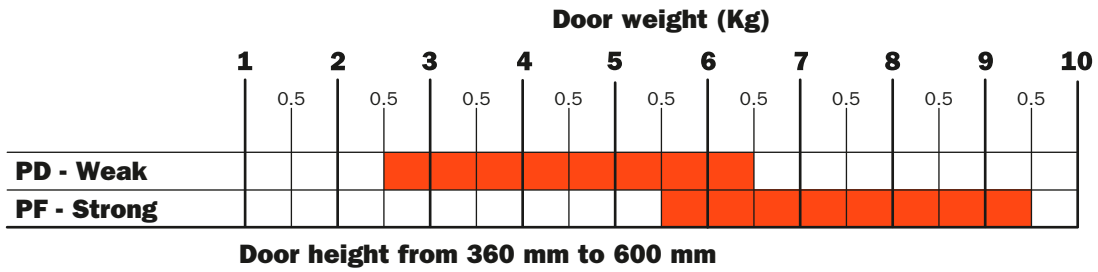
	
Support for plate for alu-framed doors min. 17 mm max. 24 mm	Stabiliser bar
DBZXBH9	FPMI59
Screws to fix the mounting plate to the support and additional fixing screw included (see page 45)	Colour: Q = white L = titanium
	Bar length: X439 = for cabinet width from 600 mm X739 = for cabinet width from 900 mm 1039 = for cabinet width from 1200 mm
PACKING	PACKING
Boxes with 150 pcs.	Boxes with: 4 bars · 8 sleeves · 8 ends of the bar



EvoLift - Opening systems - Parallel opening door

Chart to select the strength of the system for a single-operation door opening

Chart to select the exact system suitable for the dimensions and weight of the door.
 It is suggested that some assembly trials are made.
 Our technical Assistance Service is at your disposal for any additional information.





EvoLift • Opening systems • Swing opening door

EvoLift - Opening systems - Swing opening door



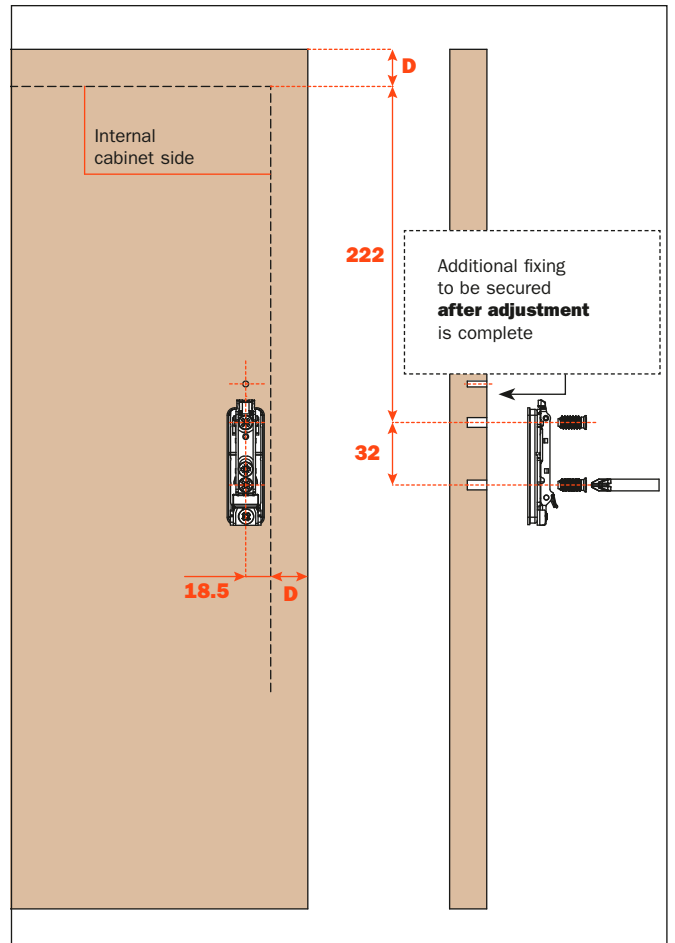


EvoLift - Opening systems - Swing opening door

Assembly instructions

Drilling pattern for wooden door.

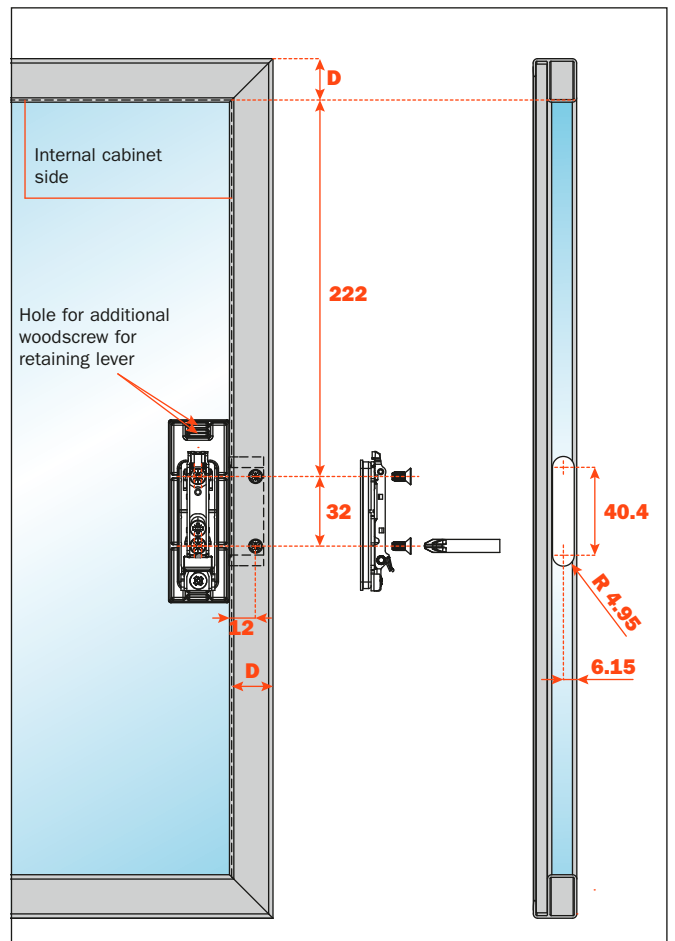
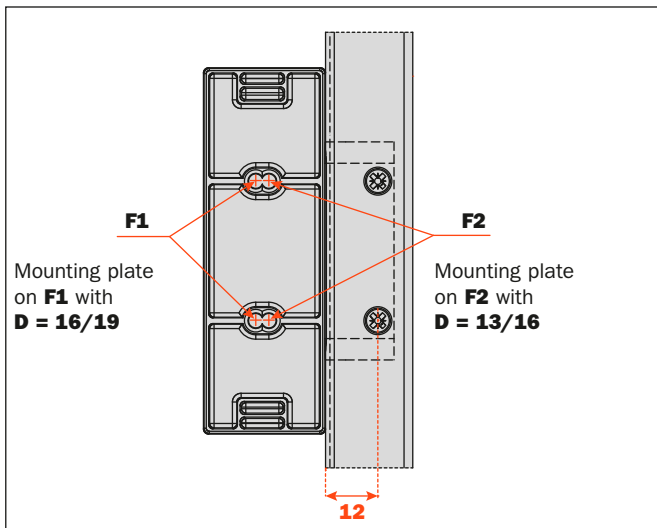
D = Sideways and upper overlay



Drilling pattern for alu-framed door.

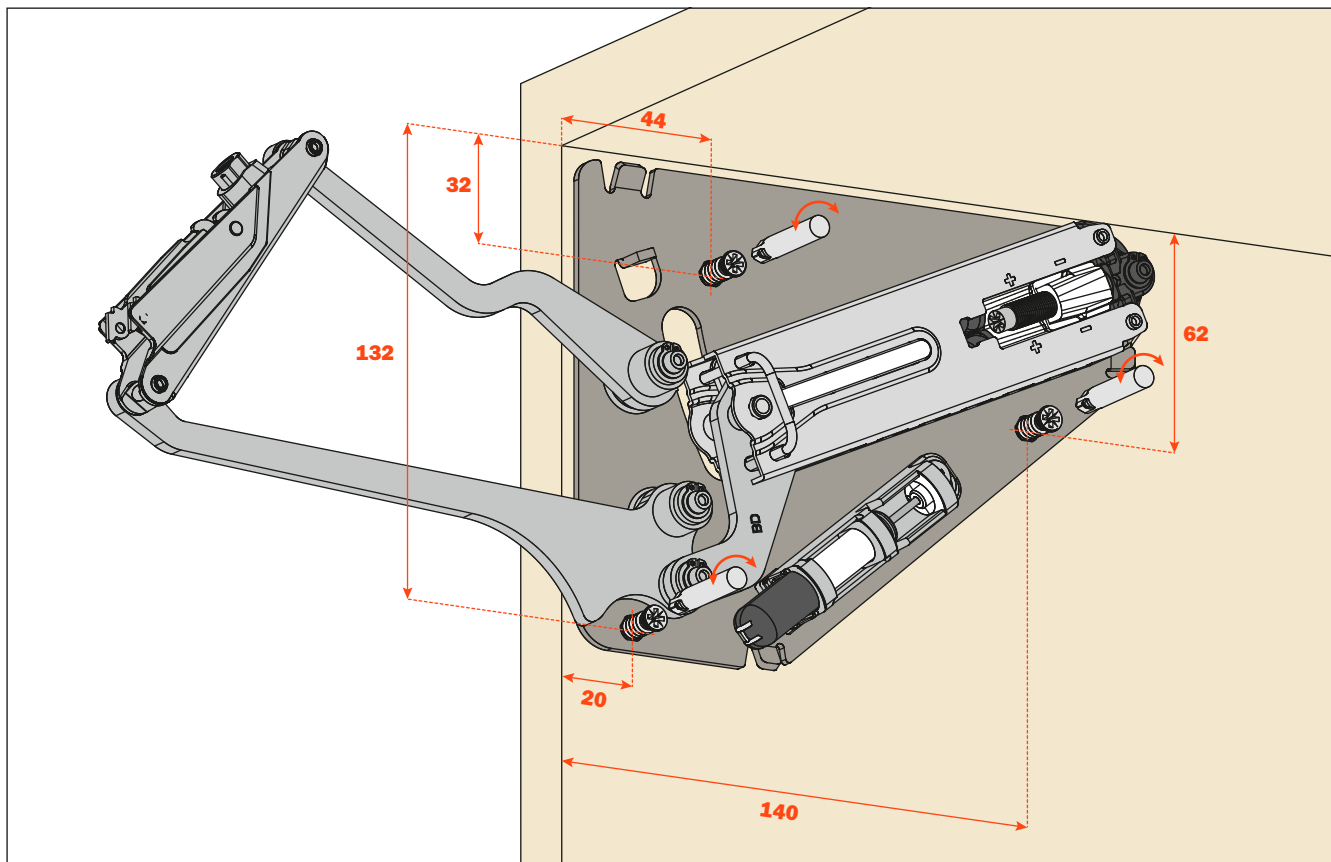
For alu-framed door, fix the mounting plate to the appropriate adapter (**DBZXBH9**).

D = Sideways and upper overlay

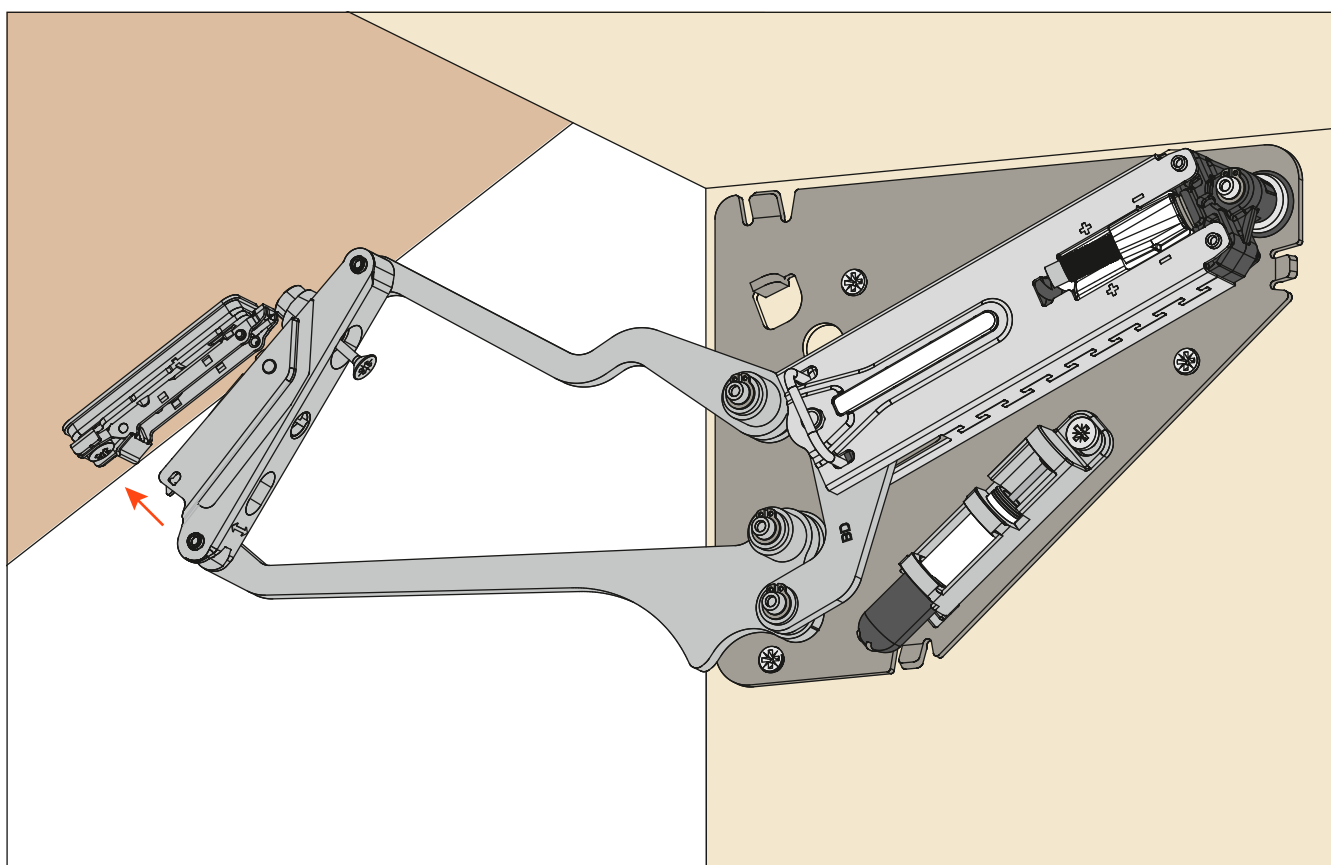




Fixing the system to the cabinet side.

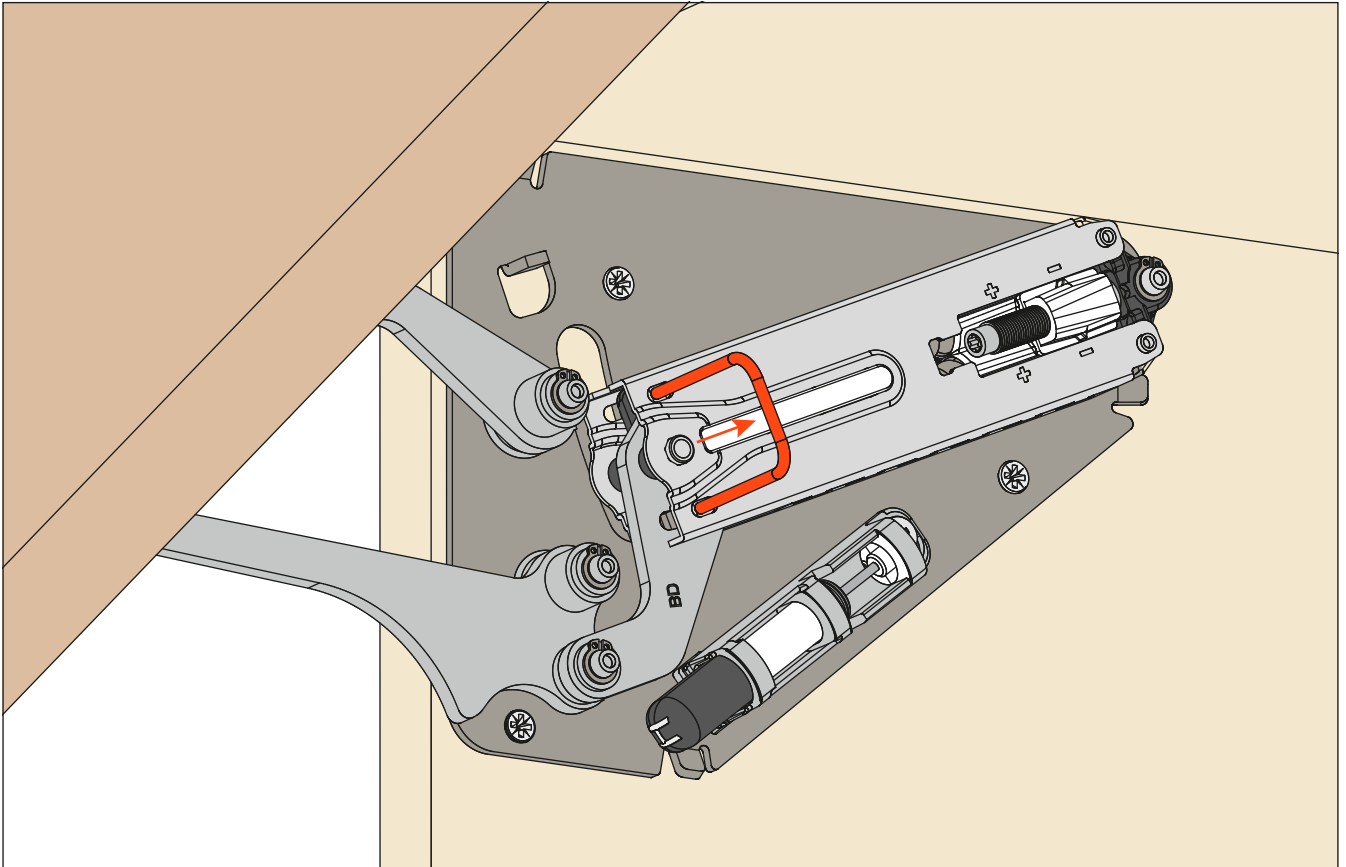


Fitting the door to the cabinet.

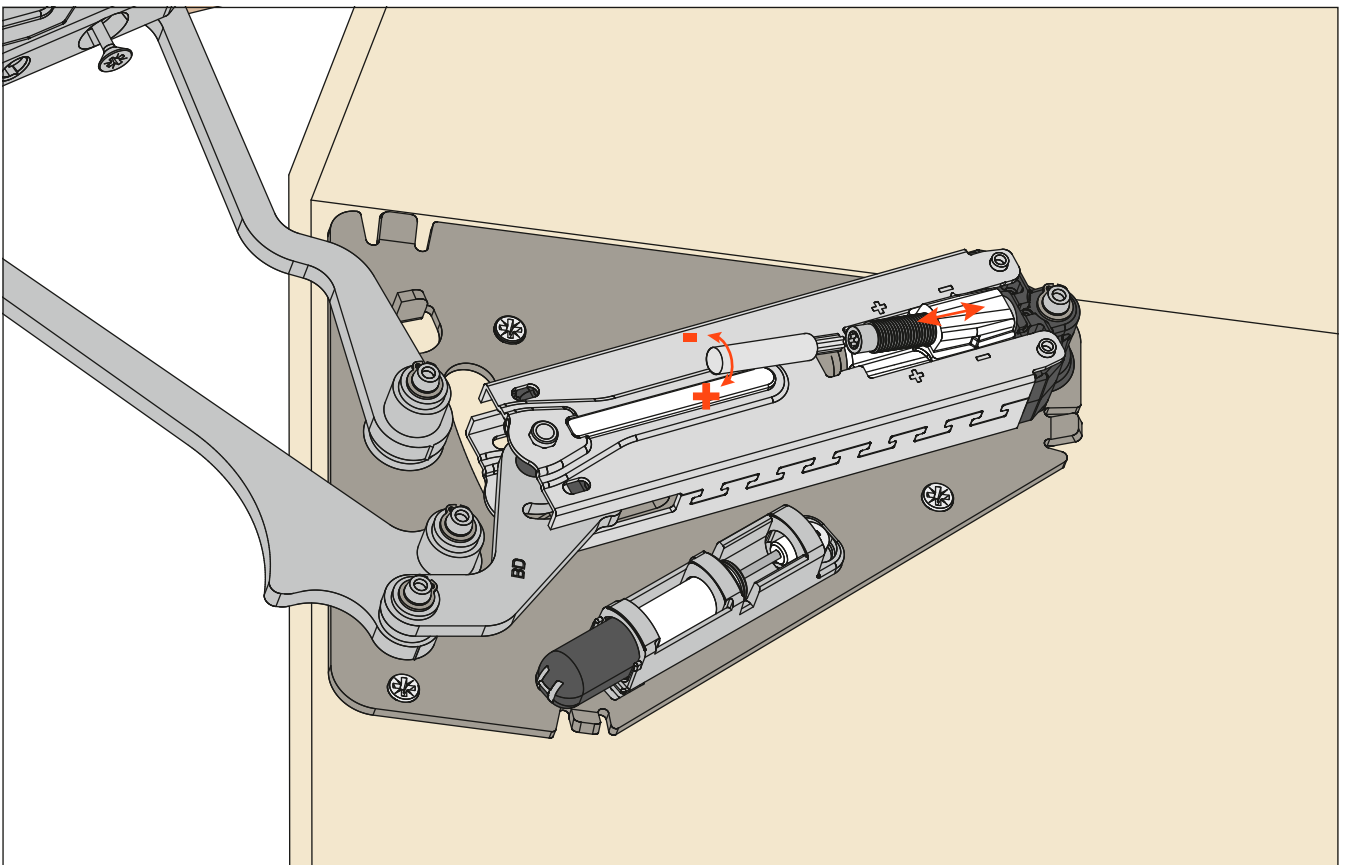


EvoLift - Opening systems - Swing opening door**Assembly instructions****Withdraw the safety clip.**

Lower the door slightly until the safety clip can be easily withdrawn.

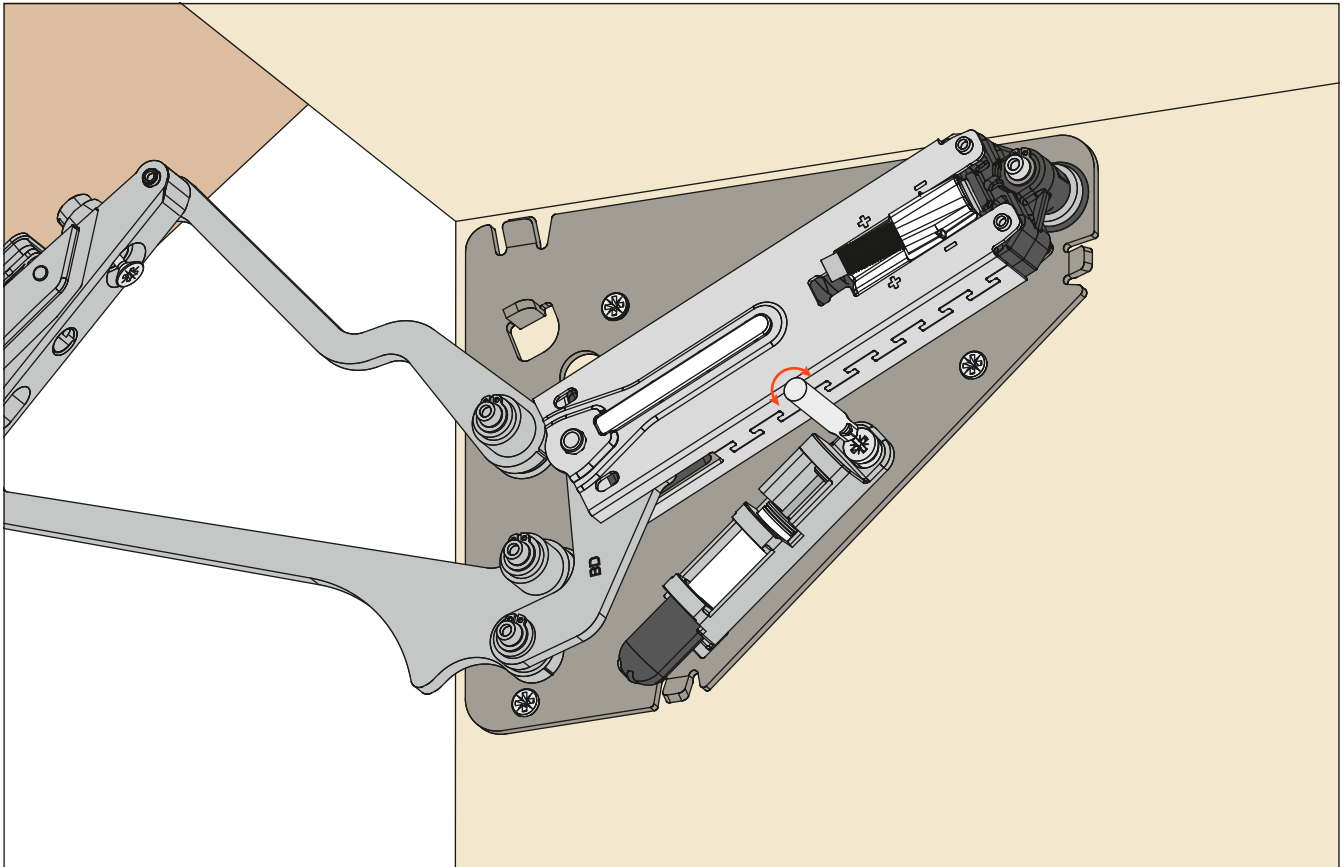
**Adjustment of the system strength.**

Use a Torx bit T20.

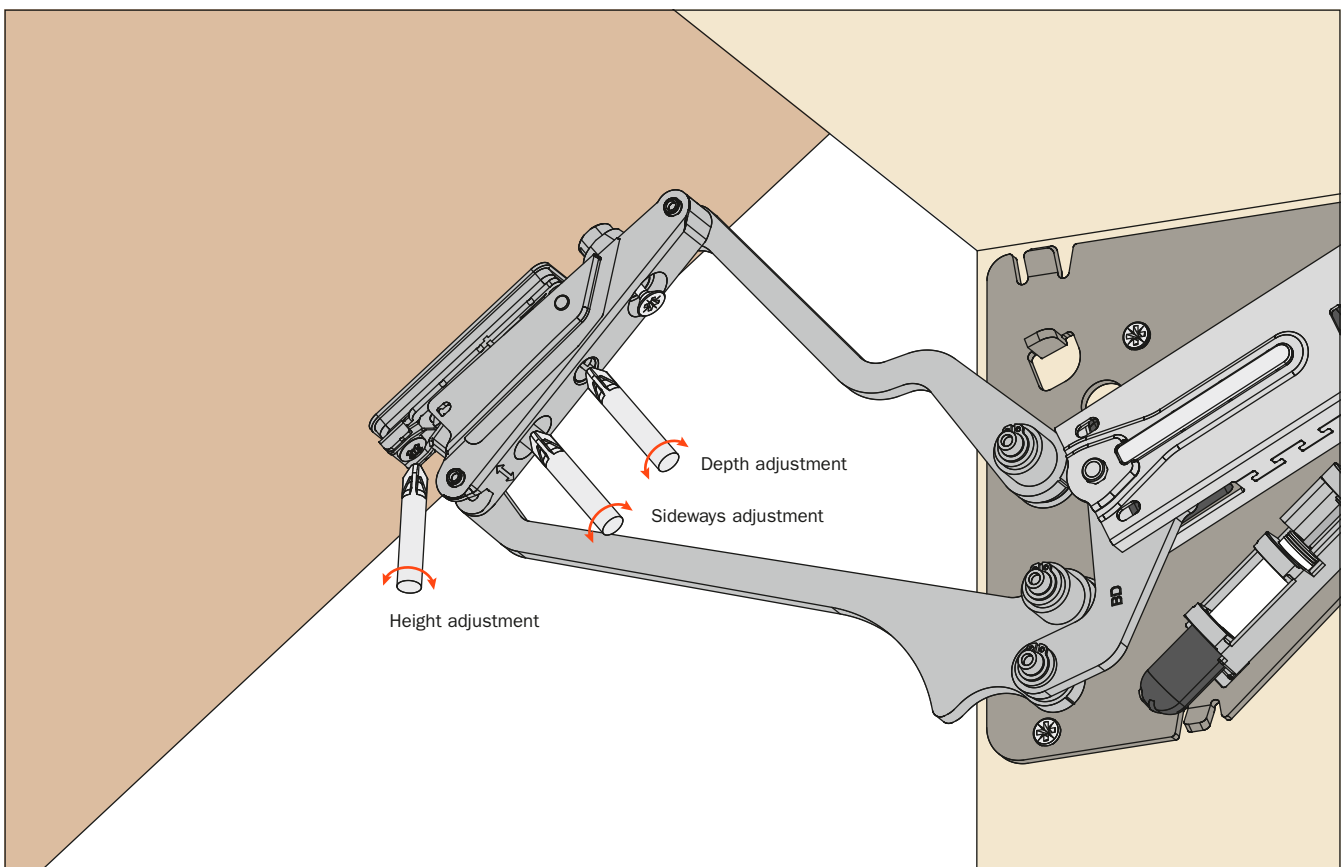




Adjustment of the decelerating effect.

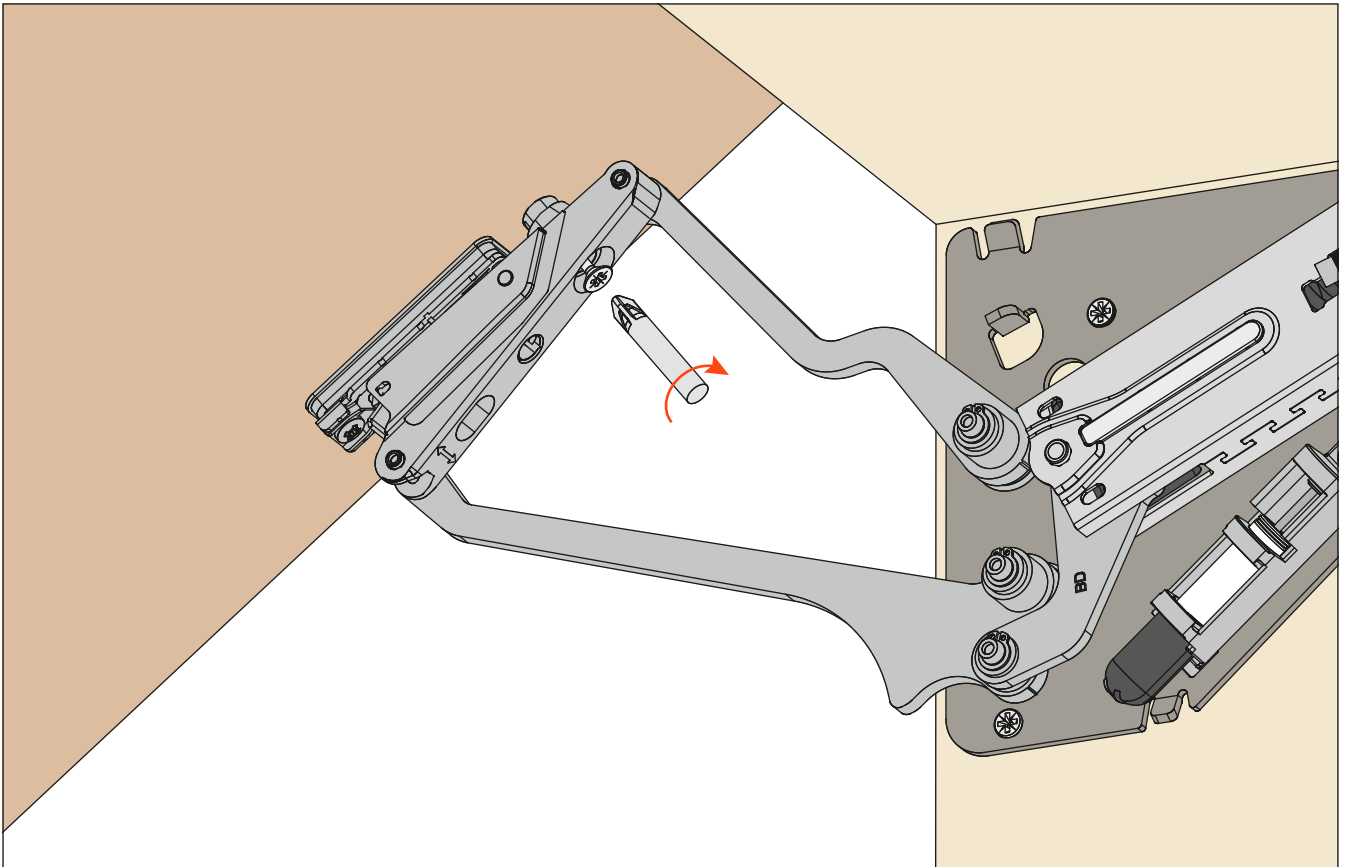
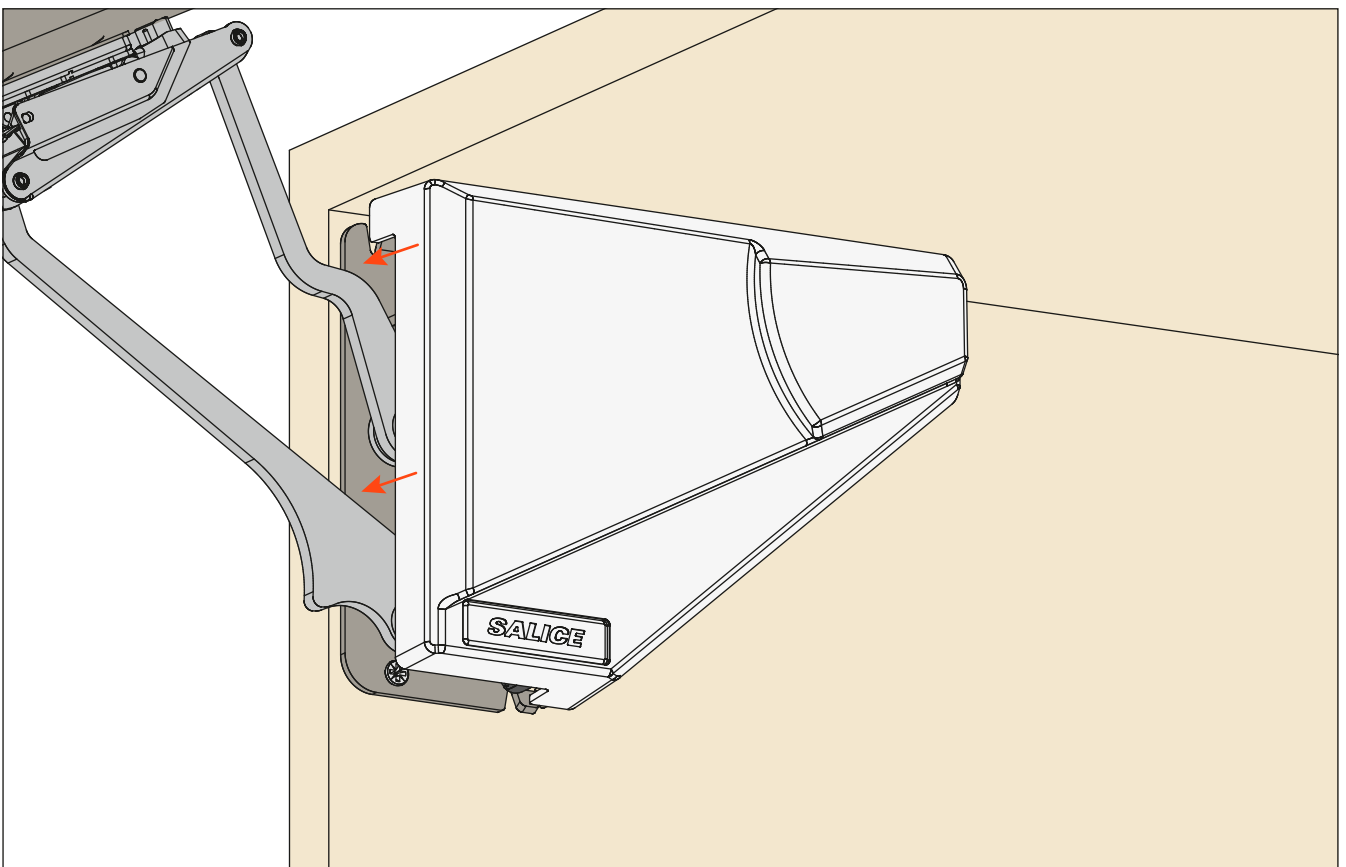


Adjustments of the door.



EvoLift - Opening systems - Swing opening door**Assembly instructions****Additional fixing to be secured after adjustment is complete.**

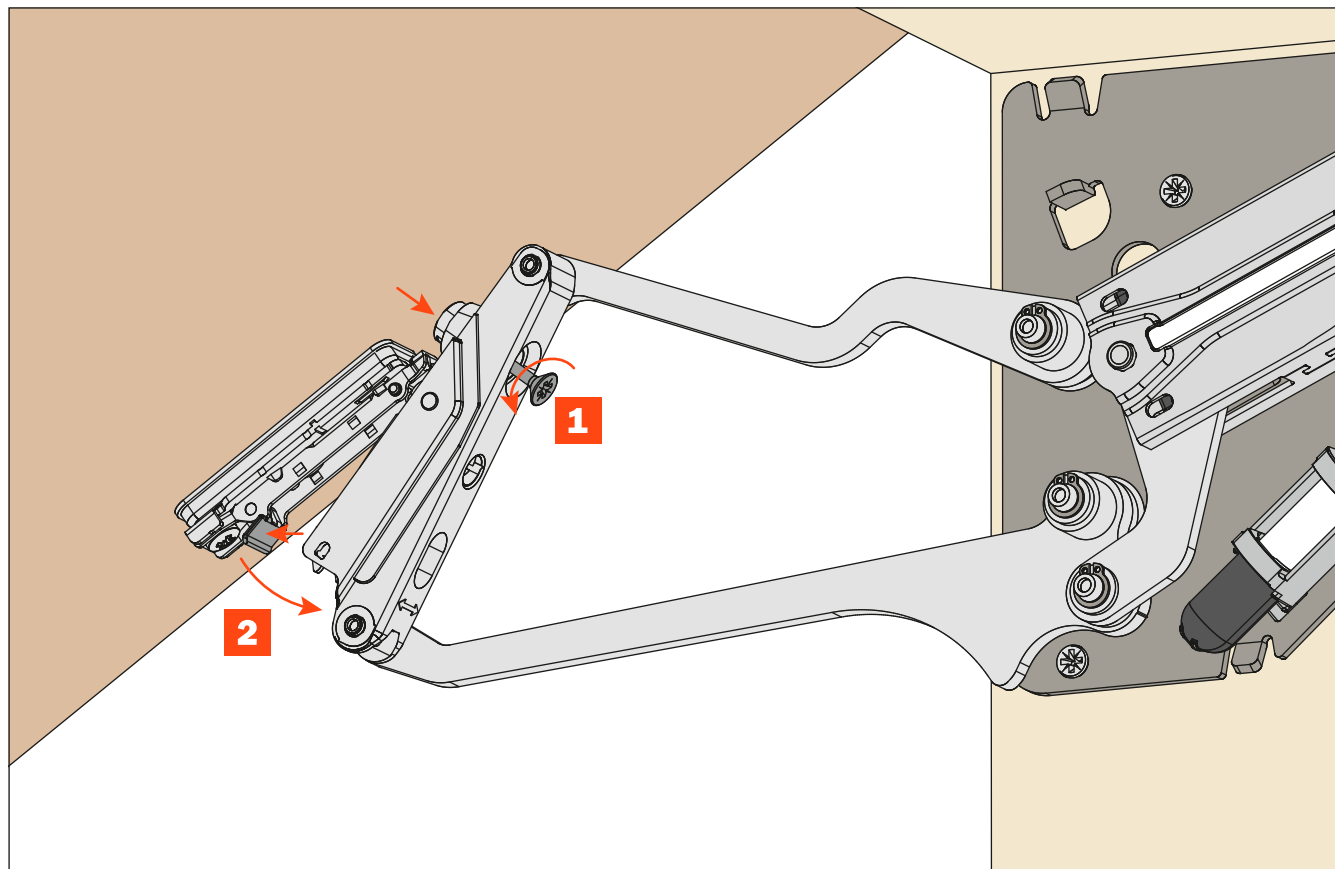
For alu-framed door, replace the indicated screw with the one in the package with the adapter DBZXBH9.

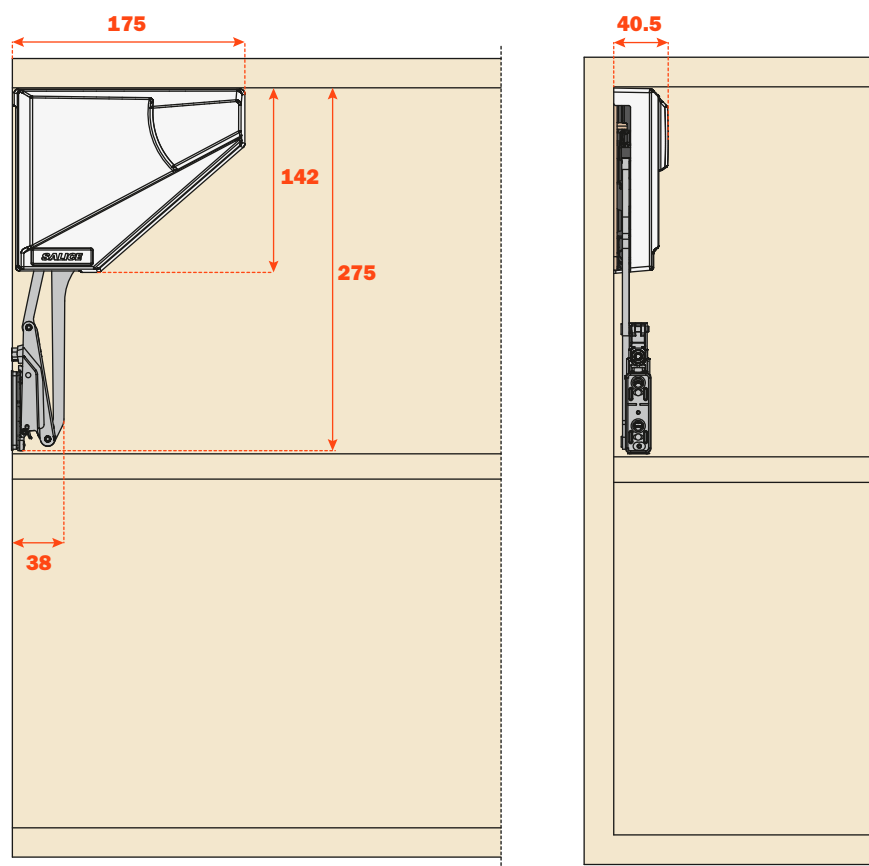
**Installing the cover.**



Removal of the door.

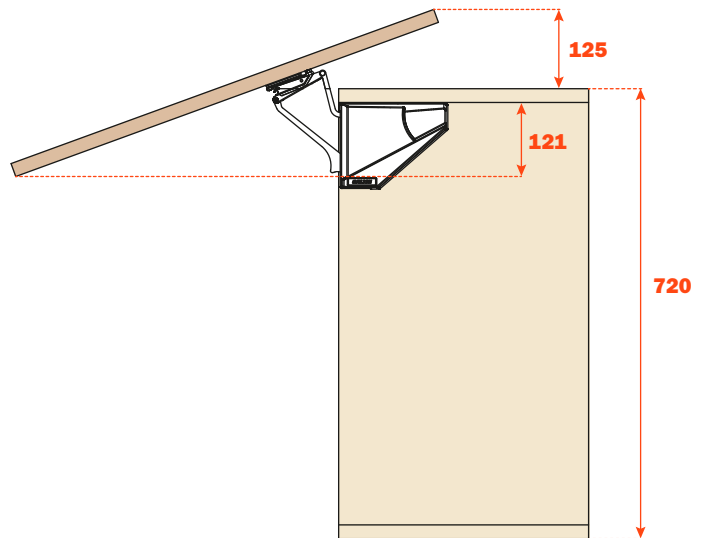
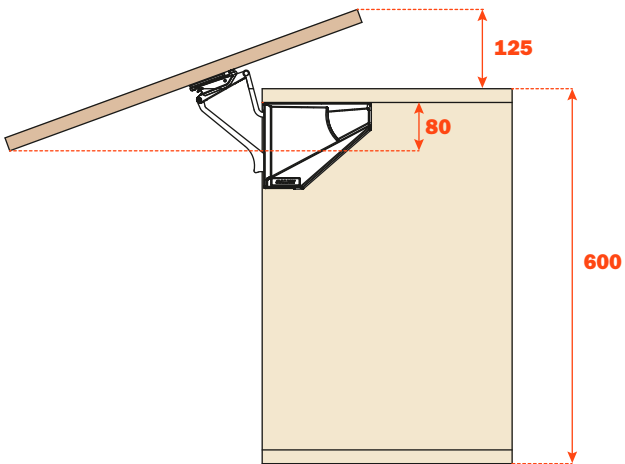
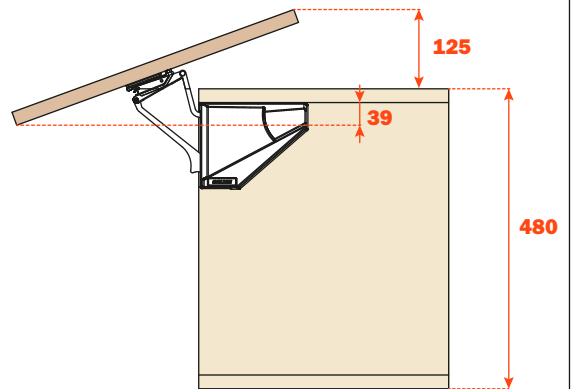
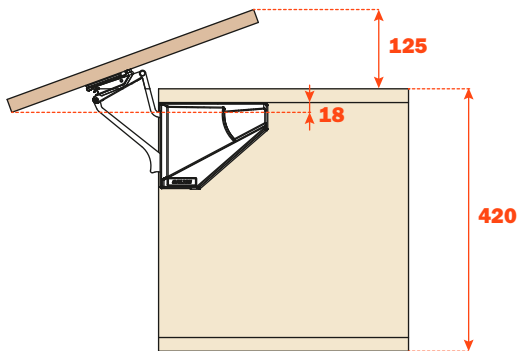
Loosen the additional fixing screw and disconnect the arm from the door.




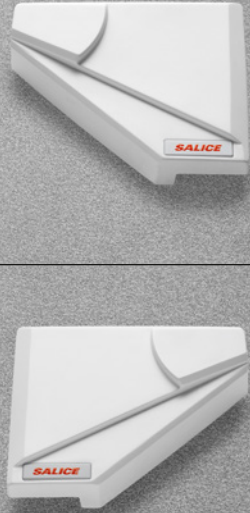
EvoLift - Opening systems - Swing opening door**Dimensions of the system.**




Dimensions and position of the open door.



EvoLift - Opening systems - Swing opening door
Part number composition and packing

DOOR-SET PACKING	
	
SOFT CLOSE	COVER
<p>FBMFXXX_SN9</p> <p>System strength: D = weak F = strong</p>	<p>SBXM78A_SNXXF</p> <p>Colour: Q = white L = titanium</p>
<p>CARTON</p> <p>1 System - right side 1 System - left side 2 Mounting plates BAPGM39/16 Assembly instructions and template for cabinet side drilling Fixing screws included</p>	<p>CARTON</p> <p>1 Cover - right side 1 Cover - left side 2 Cover Caps</p>
<p>PALLET 96 Pairs</p>	<p>PALLET 192 Pairs</p>

Components to be ordered separately


<p>Support for plate for alu-framed doors min. 17 mm max. 24 mm</p>
<p>DBZXBH9</p> <p>Screws to fix the mounting plate to the support and additional fixing screw included (see page 60)</p>
<p>PACKING Boxes with 150 pcs.</p>



INDUSTRIAL PACKING

<p>SOFT CLOSE</p>	<p>COVER</p>
<p>FBMIXXX_SN9</p> <p>System strength: D = weak F = strong</p>	<p>SBXM78A_SNXXI</p> <p>Colour: Q = white L = titanium</p>
<p>CARTON</p> <p>4 Systems - right side 4 Systems - left side 1 Bag with 8 mounting plates BAPGM39/16 Assembly instructions Fixing screws included</p>	<p>CARTON</p> <p>4 Covers - right side 4 Covers - left side 1 Bag with 8 cover caps</p>
<p>PALLET 96 Pairs</p>	<p>PALLET 96 Pairs</p>

Components to be ordered separately

<p>Support for plate for alu-framed doors min. 17 mm max. 24 mm</p>
<p>DBZXBH9</p> <p>Screws to fix the mounting plate to the support and additional fixing screw included (see page 60)</p>
<p>PACKING Boxes with 150 pcs.</p>

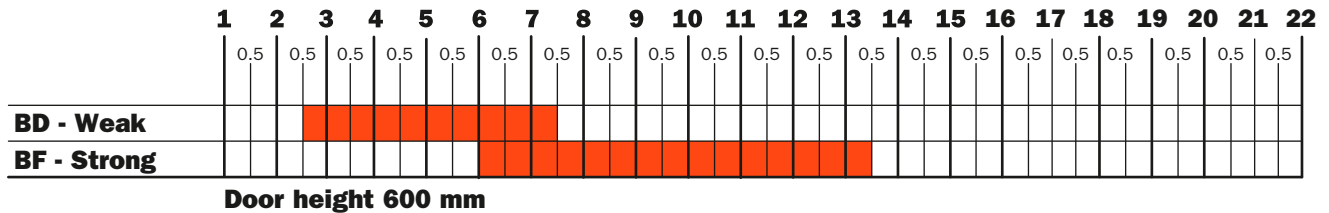
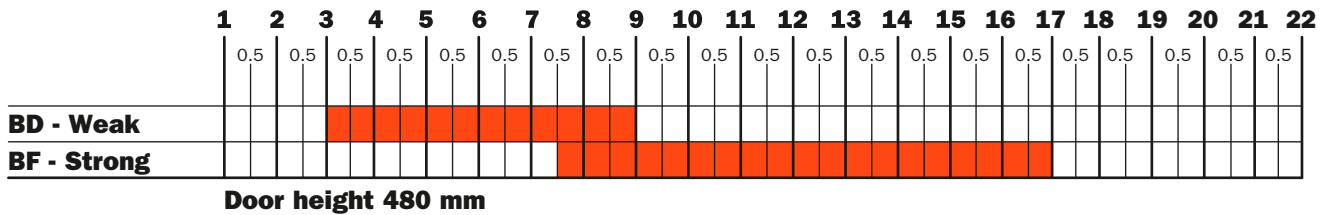
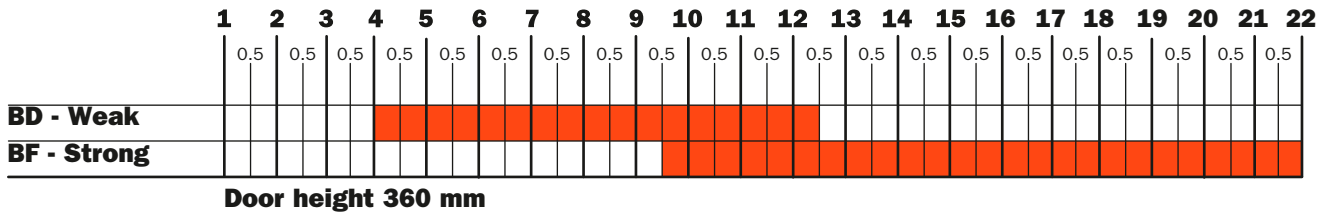


EvoLift - Opening systems - Swing opening door

Charts to select the strength of the system for a single-operation door opening

Charts to select the exact system suitable for the dimensions and weight of the door.
 It is suggested that some assembly trials are made.
 Our technical Assistance Service is at your disposal for any additional information.

Door weight (Kg)



ARTURO SALICE S.p.A.

VIA PROVINCIALE NOVEDRATESE, 10
22060 NOVEDRATE (COMO) ITALIA
TEL. 031 790424 - FAX 031 791508
info.salice@salice.com - www.salice.com

DEUTSCHE SALICE GMBH

RUDOLF DIESEL STR. 10
74382 NECKARWESTHEIM
TEL. 07133 9807-0
FAX. 07133 9807-16
info.salice@deutschesalice.de
www.salice.com

DEUTSCHE SALICE GMBH

VERKAUFSBÜRO NORD
RINGSTRASSE 36/A30 CENTER
32584 LÖHNE
TEL. 05731 15608-0
FAX. 05731 15608-10
vknord@deutschesalice.de
www.salice.com

SALICE UK LTD.

KINGFISHER WAY
HINCHINGBROOKE BUSINESS PARK
HUNTINGDON CAMBS PE 29 6FN
TEL. 01480 413831
FAX. 01480 451489
info.salice@saliceuk.co.uk
www.salice.com

SALICE FRANCE S.A.R.L.

285 RUE DE GOA ZAC LES 3 MOULINS
06600 ANTIBES
TEL. 0493 330069
FAX. 0493 330141
info.salice@salicefrance.com
www.salice.com

SALICE ESPAÑA, S.L.U.

C/ AIGUAFREDA 4, P.I. AMETLLA PARK
08480 L'AMETLLA DEL VALLÈS (BARCELONA)
TEL. 0034 938 46 88 61
info.salice@saliceespana.es
www.salice.com

SALICE PORTUGAL UNIP. LDA

SHOWROOM:

TV SÁ E MELO 161 FA
4470-116 MAIA - PORTO
TEL: 00351 224 154 221
Info@saliceportugal.pt
www.salice.com

ARMAZÉM:

VIA ROTA DOS MÓVEIS I 399
4585-325 GANDRA

SALICE CHINA (SHANGHAI) CO. LTD.

1st FLOOR, B1 BLDG 928 MINGZHU ROAD
XUJING, QINGPU DISTRICT
SHANGHAI 201702 - CHINA
TEL. 021 3988 9880
FAX. 021 3988 9882
info.salice@salicechina.com
www.salicechina.com

SALICE INDIA PVT. LTD.

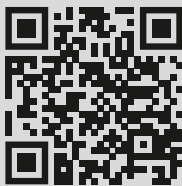
1001 & 1002, 10TH FLOOR,
CENTRUM, PLOT NO. C-3,
OPP. WAGLE PRABHAG SAMITI OFFICE,
MIDC AREA, WAGLE INDUSTRIAL ESTATE,
THANE - 400604, MAHARASHTRA
TEL. 022 20812050
info@saliceindia.com
www.salice.com

SALICE CANADA INC.

3500 RIDGEWAY DRIVE,
UNIT#1
MISSISSAUGA, ONTARIO, L5L 0B4
TEL. 905 820 8787
FAX. 905 820 7226
info.salice@salicecanada.com
www.salicecanada.com

SALICE AMERICA INC.

2123 CROWN CENTRE DRIVE
CHARLOTTE NC. 28227
TEL. 704 841 7810
FAX. 704 841 7808
info.salice@saliceamerica.com
www.saliceamerica.com



Digital contents