



Universal hinges

SALICE

Universal hinges



The Salice universal hinge has been developed to provide a solution to most applications in the field of furniture doors. The hinge can be used with a very wide range of door materials and thicknesses: in addition to the classic cup for wooden doors, there is a plate-fixed version that is bonded to glass doors or mirrors and a third version with a screw-fixed plate for doors made of the special and thinner materials that are becoming increasingly popular, such as metal, ceramics, cements, quartz composites, HPL, HDF and MDF. These plates are equipped with screws that have been developed specifically to obtain the highest holding strength in materials with a minimum thickness of 8 mm.

By simply changing the fixing position of the cup or the plate on the door, it is possible, with a single hinge and a single mounting plate, to provide a solution to a number of special applications and overlays, which include inset doors.

The seven pivot movement, a key technical feature of these hinges, also provides a solution to a number of special applications, which include half-inset doors and doors with moulded or mitred edges.

There are also different options for the ways to open and close the doors. In addition to the traditional sprung hinge, there is the soft closing version and the version with the Push selfopening system for handle-less doors.

Aesthetic considerations are not neglected – the hinges can be supplied in nickel-plated or titanium finish with a complete range of cover caps.

The universal hinge is compatible with all Salice mounting plates, is fully adjustable in three directions and guarantees the possibility of a precise, immediate and calibrated adjustment.

Certified by LGA in conformity with the 15570/08.08 level 3 requirement



Universal hinges

for glass doors

No drilling of the glass is required.

Die-cast cup and arm.

All hinges are also available in titanium finish; to order Titanium please change the part number as shown in the example below.

Example: CBG2AE9 = nickel-plated

CBG2AE6 = titanium

Technical features

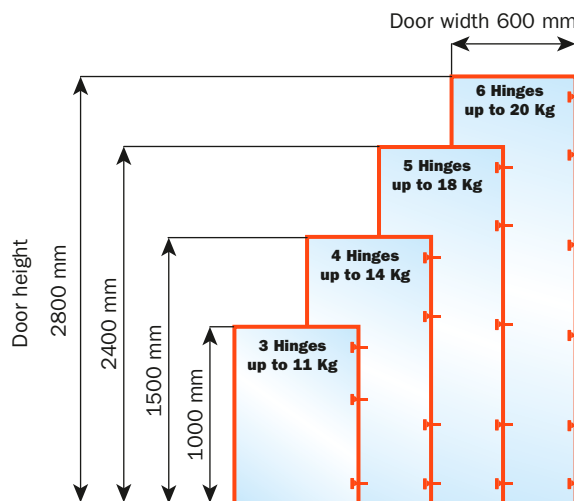
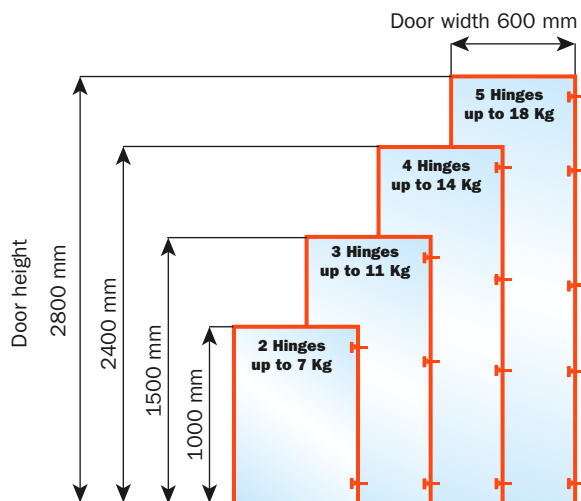
Disclaimer

Salice Universal (CBG) hinges have been developed for use on glass doors and mirrors. Salice will accept no responsibility for any problems associated with the type of adhesive or method of application when used in conjunction with Universal hinges, nor for any consequences of the incorrect mounting of the door. It is recommended that the selected adhesive is subjected to prior testing.

The adhesive may be considered appropriate if the plate, when fixed to the glass, can sustain a minimum torsion load of 160 Nm.



Approx. number of hinges required according to the door dimension and weight.



Adjustments

Compensated side adjustment from -1.5 mm to +4.5 mm.
 Height adjustment ± 2 mm.
 Depth adjustment with Series 200 mounting plates +2.8 mm.
 Depth adjustment with Domi snap-on mounting plates from -0.5 mm to +2.8 mm.
 Anti-sliding safety stop.

Mounting plates

Symmetrical and asymmetrical bright nickel plated steel or die-cast Series 200 mounting plates.
 Snap-on assembly on Domi mounting plates.
 Positioning with pre-determined stop on traditional Series 200 mounting plates.

N.B. : Use POZIDRIVE No. 2 screwdrivers for all screws.

110° opening

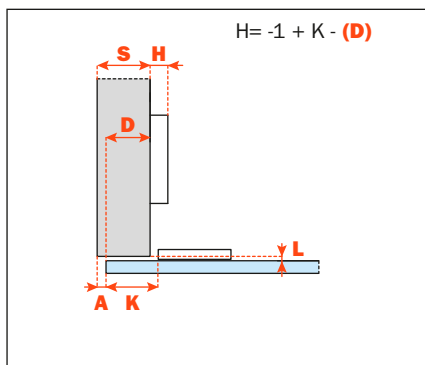
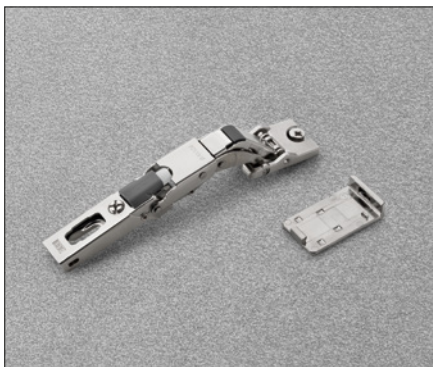


Technical information

Hinges for glass doors.
No drilling of the glass is required.

Possible fixing inset distance on the door (K): from 0 to 22 mm.
 110° opening. To limit the opening of the hinge, see page 14
 chapter "Accessories".

Compatible with all traditional Series 200 mounting plates and
 with all Domi snap-on mounting plates.



CBG2AE9 = with integrated soft-close

CBG2AC9 = sprung hinge

CBGQAC9 = with Push opening

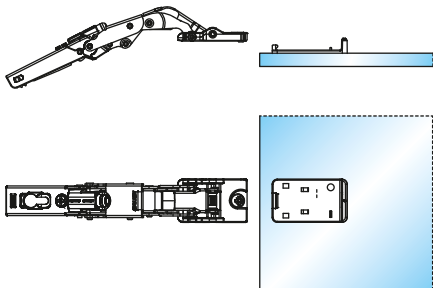
CBG1AC9 = unsprung hinge

Packing Nickel-plated finish

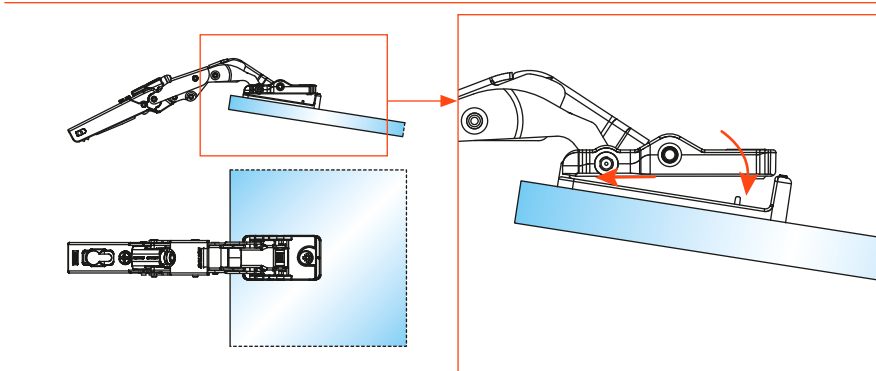
Boxes 150 pcs. · Pallets 3.600 pcs.

Packing Titanium finish

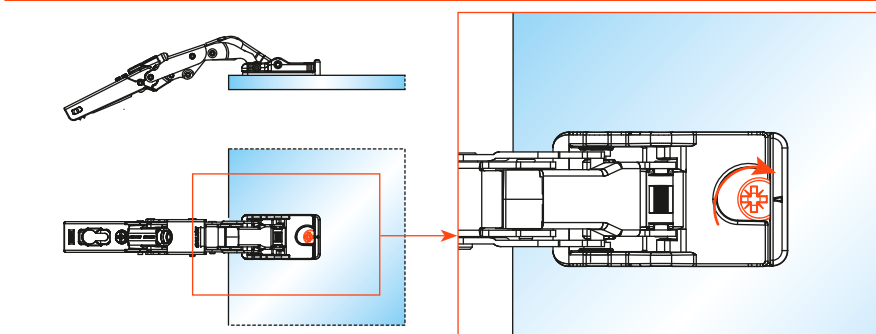
Check with the sales office for the minimum
 order quantity



1) The hinge plate must be attached to the glass door with a specific adhesive using the correct procedure. We recommend that this operation is carried out by a specialist company. For further information on adhesives and their application, please contact the adhesive manufacturer or your glass supplier.



2) Locate the hinge onto the plate when it is bonded to the door.



3) Rotate the fixing cam.

Universal hinges

for doors with a min. thickness of 8 mm

Hinges for doors with a minimum thickness of 8 mm made with special materials.
Die-cast cup and arm.

All hinges are also available in titanium finish; to order Titanium please change the part number as shown in the example below.

Example: CBY2AC9 = nickel-plated
CBY2AC6 = titanium

Technical features

Disclaimer

Salice Universal (CBY) hinges have been developed for use on doors with a min. thickness of 8 mm.

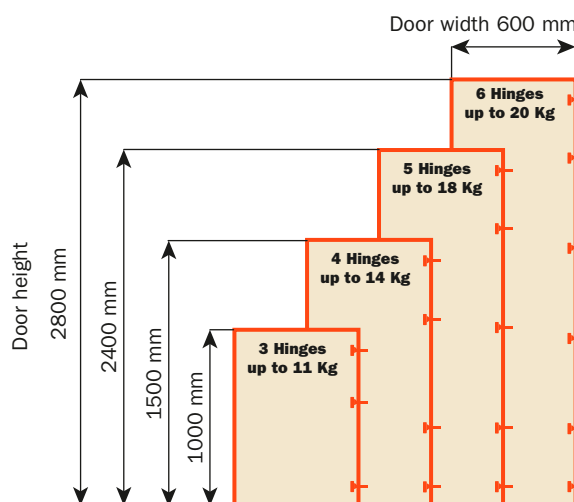
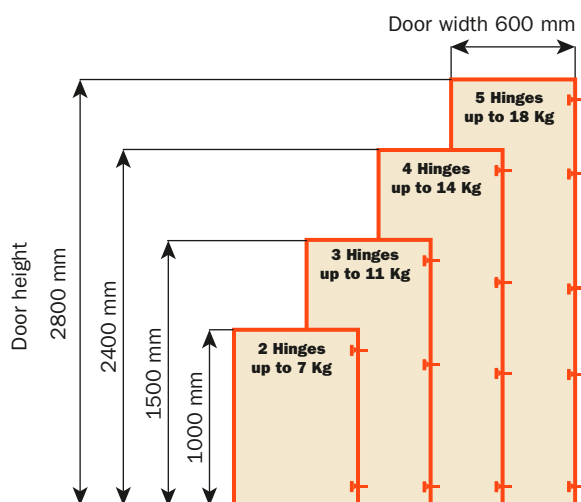
The hinges must be fixed, if possible, with the screws included in the packaging.

For special materials, we suggest to contact our technical Assistance Service.

Salice will accept no responsibility for any problems associated with the use of screws different from those included or for any consequences of the incorrect method of application.



Approx. number of hinges required according to the door dimension and weight.



Adjustments

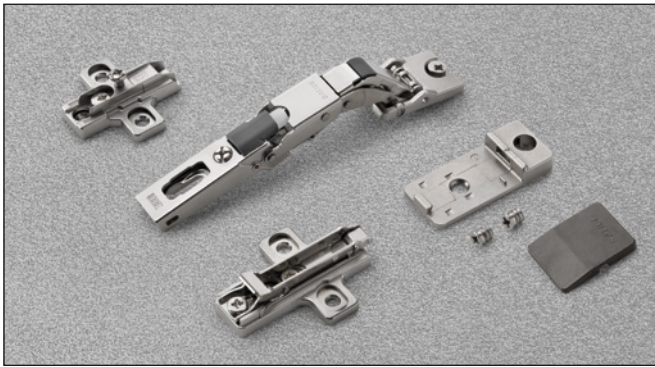
Compensated side adjustment from -1.5 mm to +4.5 mm.
Height adjustment ± 2 mm.
Depth adjustment with Series 200 mounting plates +2.8 mm.
Depth adjustment with Domi snap-on mounting plates from -0.5 mm to +2.8 mm.
Anti-sliding safety stop.

Mounting plates

Symmetrical and asymmetrical bright nickel plated steel or die-cast Series 200 mounting plates.
Snap-on assembly on Domi mounting plates.
Positioning with pre-determined stop on traditional Series 200 mounting plates.

N.B. : Use POZIDRIVE No. 2 screwdrivers for all screws.

110° opening

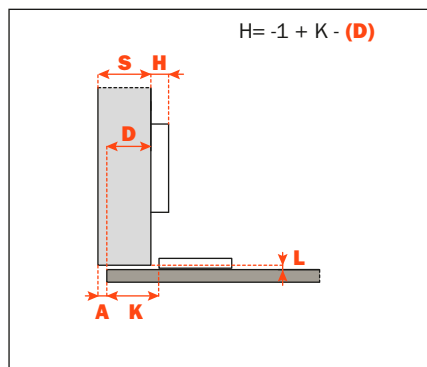
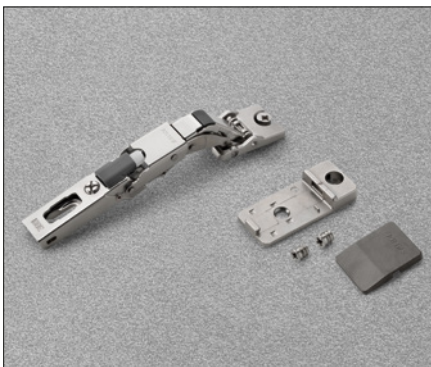


Technical information

Hinges for doors with a minimum thickness of 8 mm made with special materials.

Possible fixing inset distance on the door (K): from 0 to 22 mm. 110° opening. To limit the opening of the hinge, see page 14 chapter "Accessories".

Compatible with all traditional Series 200 mounting plates and with all Domi snap-on mounting plates.



CBY2AE9 = with integrated soft-close

CBY2AC9 = sprung hinge

CBYQAC9 = with Push opening

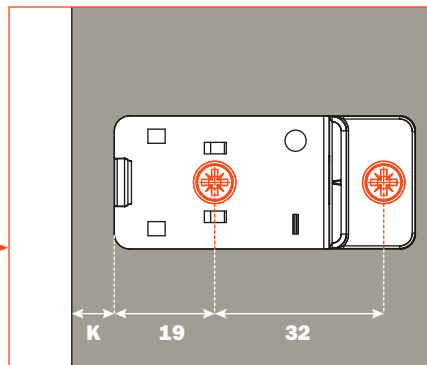
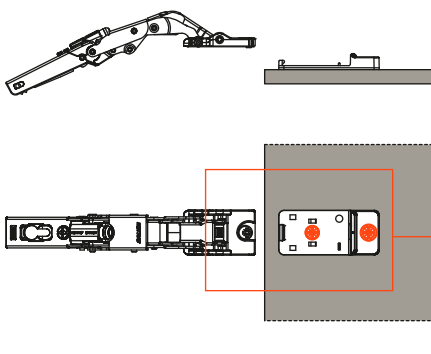
CBY1AC9 = unsprung hinge

Packing Nickel-plated finish

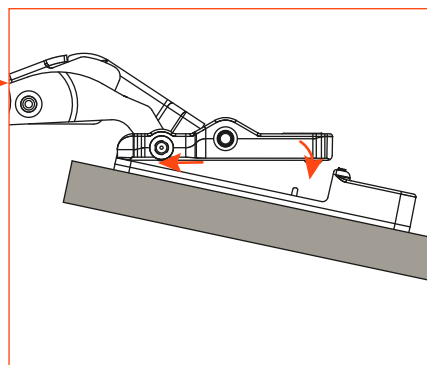
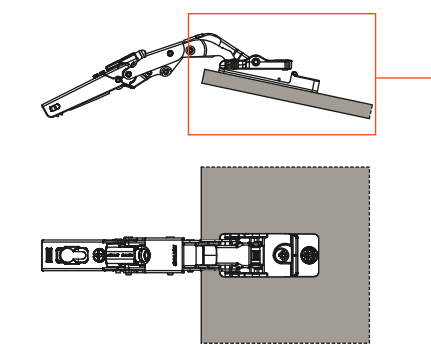
Boxes 150 pcs. · Pallets 3.600 pcs.

Packing Titanium finish

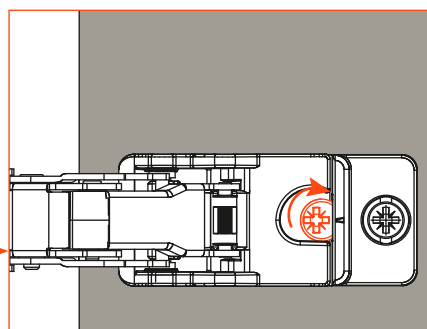
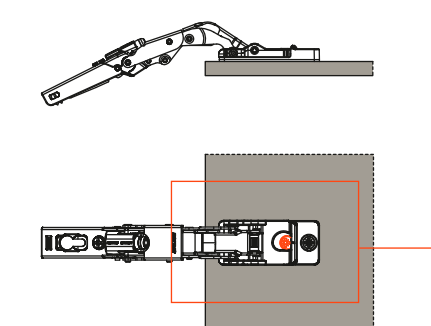
Check with the sales office for the minimum order quantity



1) The hinge plate must be fixed to the door with the included screws.



2) Locate the hinge onto the plate when it is fixed to the door.



3) Rotate the fixing cam.

Universal hinges

for wooden doors

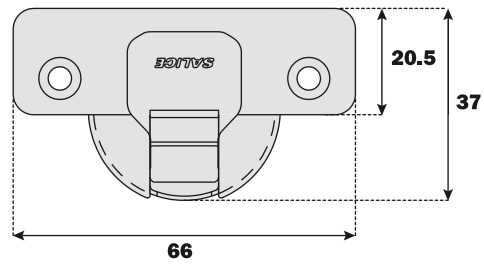
Universal hinges can provide a solution to a number of special applications, which include half-inset doors and doors with moulded profiles.

Bright nickel plated die-cast cup and arm.

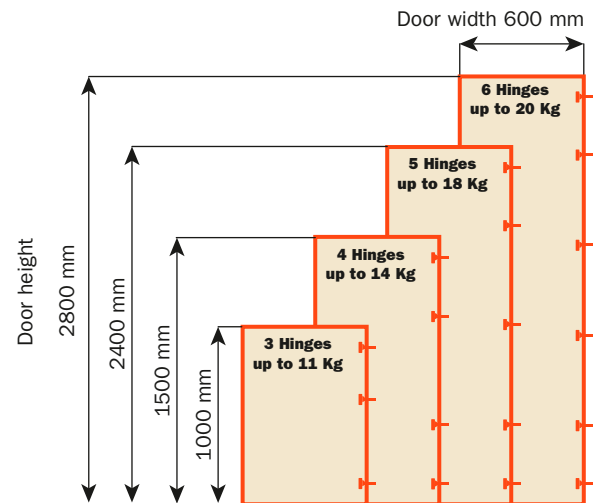
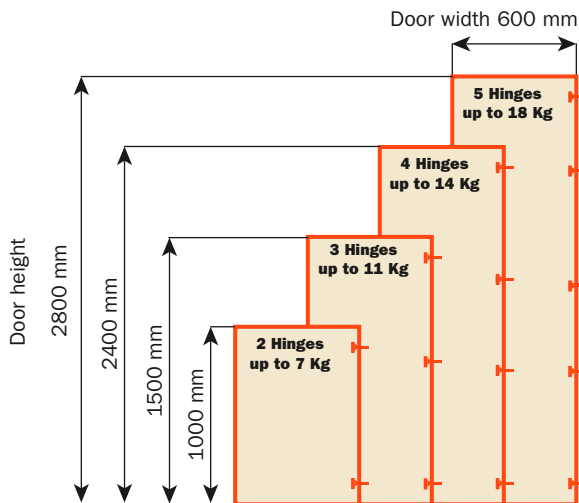
All hinges are also available in titanium finish; to order Titanium please change the part number as shown in the example below.

Example: CBA2AC9 = nickel-plated
CBA2AC6 = titanium

Technical features



Approx. number of hinges required according to the door dimension and weight.



Adjustments

Compensated side adjustment from -1.5 mm to +4.5 mm.
Height adjustment ± 2 mm.
Depth adjustment with Series 200 mounting plates +2.8 mm.
Depth adjustment with Domi snap-on mounting plates from -0.5 mm to +2.8 mm.
Anti-sliding safety stop.

Mounting plates

Symmetrical and asymmetrical bright nickel plated steel or die-cast Series 200 mounting plates.
Snap-on assembly on Domi mounting plates.
Positioning with pre-determined stop on traditional Series 200 mounting plates.

N.B. : Use POZIDRIVE No. 2 screwdrivers for all screws.

Universal hinges - For wooden doors - 110° opening



Technical information

These hinges can provide a solution to a number of special applications, which include half-inset doors and doors with moulded profiles.

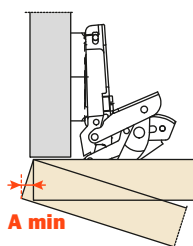
9 mm deep metal cup.

110° opening. To limit the opening of the hinge, see page 14 chapter "Accessories".

Possible drilling distance on the door (K): from 3 to 18 mm.

Compatible with all traditional Series 200 mounting plates and with all Domi snap-on mounting plates.

Space needed to open the door

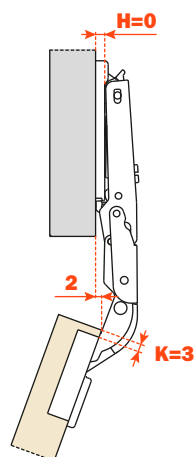


	T=	16	18	20	22	24	26
K=3	A=	0.0	0.0	0.0	0.0	0.3	1.4
K=4	A=	0.0	0.0	0.0	0.0	0.4	1.5
K=5	A=	0.0	0.0	0.0	0.0	0.5	1.9
K=6	A=	0.0	0.0	0.0	0.0	0.7	2.6
K=7	A=	0.0	0.0	0.0	0.0	11.3	12.8
K=8	A=	0.0	0.0	0.0	0.0	10.3	12.9
K=9	A=	0.0	0.0	0.0	0.0	9.3	11.9
K=10	A=	0.0	0.0	0.0	6.0	8.3	10.9
K=11	A=	0.0	0.0	0.0	5.1	7.3	9.9
K=12	A=	0.0	0.0	0.0	4.1	6.3	8.9
K=13	A=	0.0	0.0	1.4	3.3	5.3	7.9
K=14	A=	0.0	0.0	0.7	2.6	4.5	6.9
K=15	A=	0.0	0.0	0.2	2.0	3.8	5.9
K=16	A=	0.0	0.0	0.0	1.4	3.2	5.0
K=17	A=	0.0	0.0	0.0	1.0	2.7	4.4
K=18	A=	0.0	0.0	0.0	0.7	2.2	3.9

The above values are calculated on the assumption that the doors have square edges. They are reduced if the doors have radiussed edges.

Projection of the door

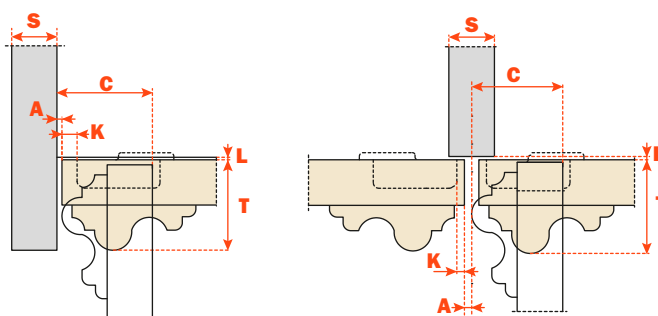
Projection of the door from the cabinet side at the max. opening. The figures are based on H=0 mm thickness of mounting plate and K value = 3 mm.



"C" value

With this formula you can obtain the max. thickness of the moulded door that can be opened without touching adjacent carcass sides, doors or walls, whilst bearing in mind the above K-T values.

$$C = 5.5 + K + A$$



Packing Nickel-plated finish

Boxes 150 pcs. • Pallets 3.600 pcs.

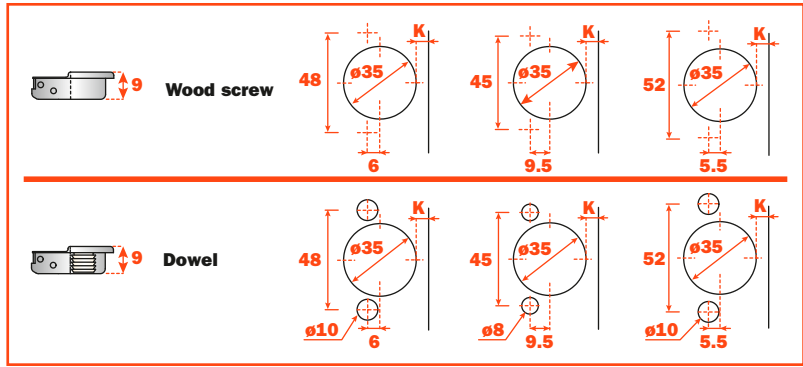
Packing Titanium finish

Check with the sales office for the minimum order quantity

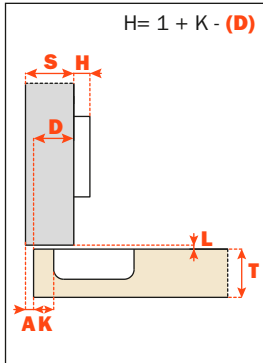
All hinges are also available in titanium finish; to order Titanium please change the part number as shown in the example below.

Example: CBA2AC9 = nickel-plated
CBA2AC6 = titanium

Use these formulas to determine the type of hinge arm, the drilling distance "K" and the height of the mounting plate "H" which is necessary to solve each application problem.

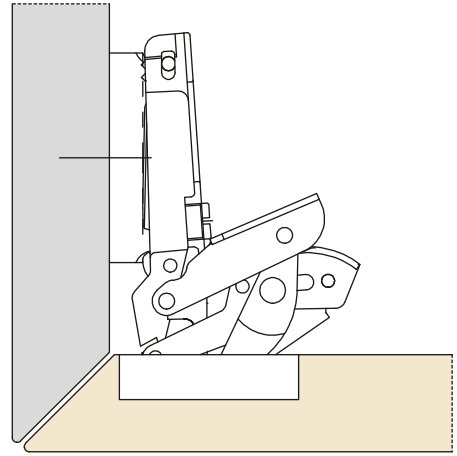
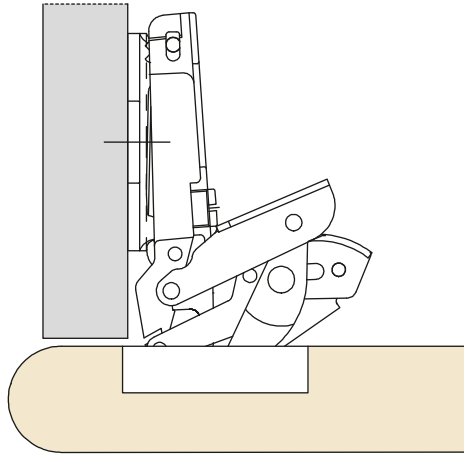


Arm 0



		Sprung hinge Nickel-plated finish			Integrated soft-close Nickel-plated finish		
Fixing		48	45	52	48	45	52
	Wood screw	CBA2AC9	CBP2AC9	CBU2AC9	CBA2AE9	CBP2AE9	CBU2AE9
	Dowel	CBB2AC9	CBR2AC9	CBW2AC9	CBB2AE9	CBR2AE9	CBW2AE9

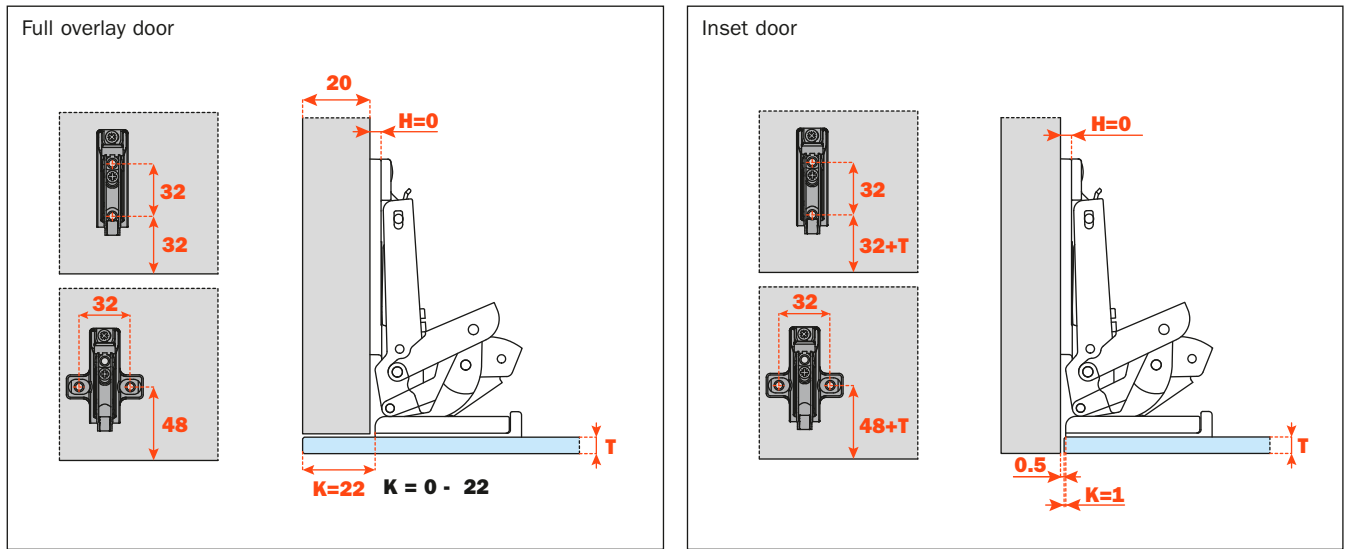
		Push opening Nickel-plated finish			Unsprung hinge Nickel-plated finish		
Fixing		48	45	52	48	45	52
	Wood screw	CBAQAC9	CBPQAC9	CBUQAC9	CBA1AE9	CBP1AE9	CBU1AE9
	Dowel	CBBQAC9	CBRQAC9	CBWQAC9	CBB1AE9	CBR1AE9	CBW1AE9



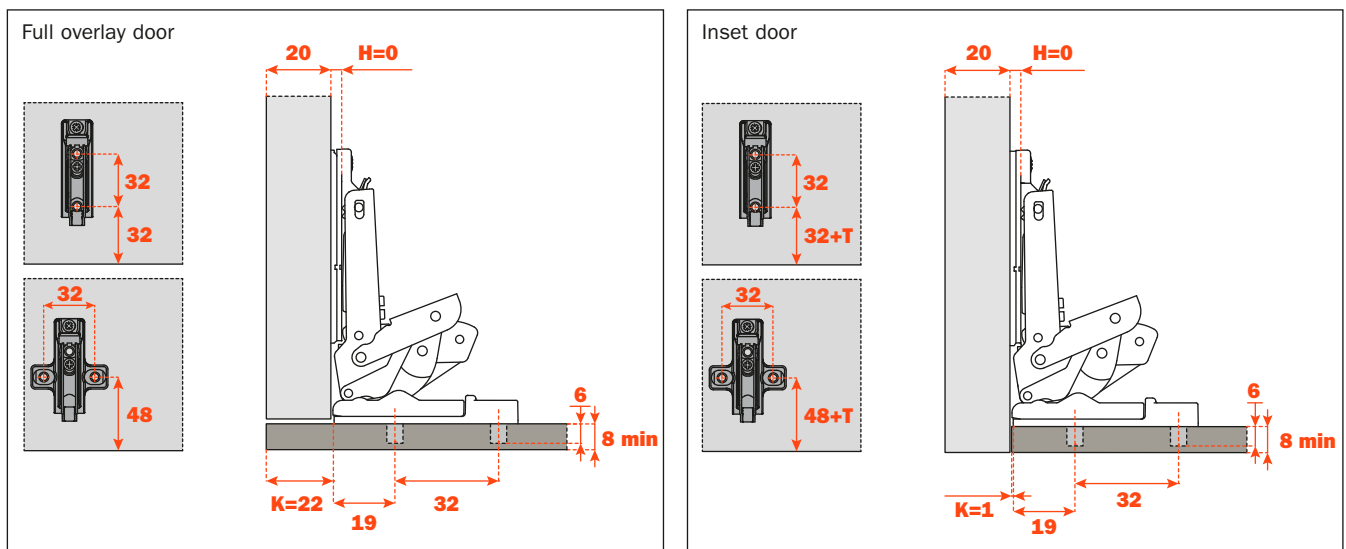
Applications

Universal hinges - Applications

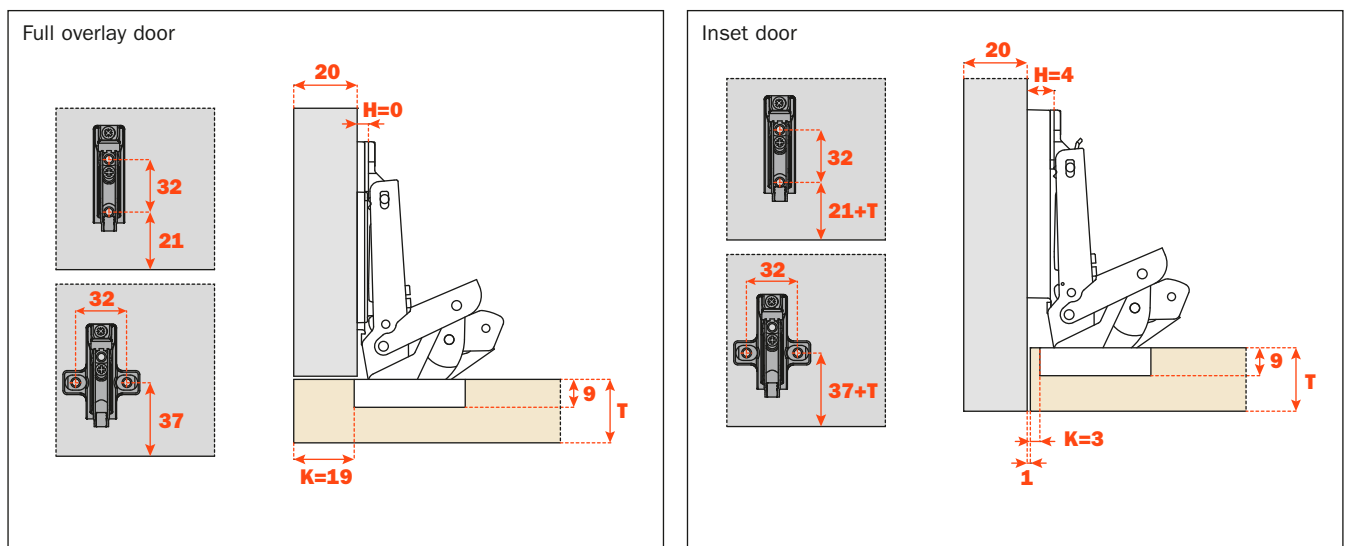
Glass doors



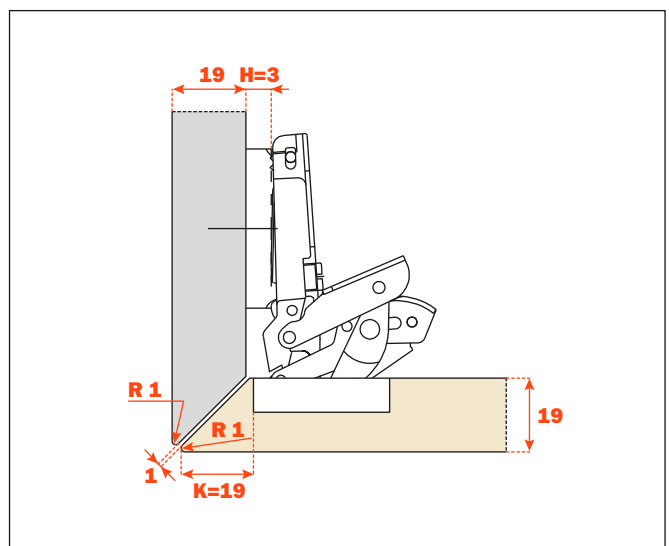
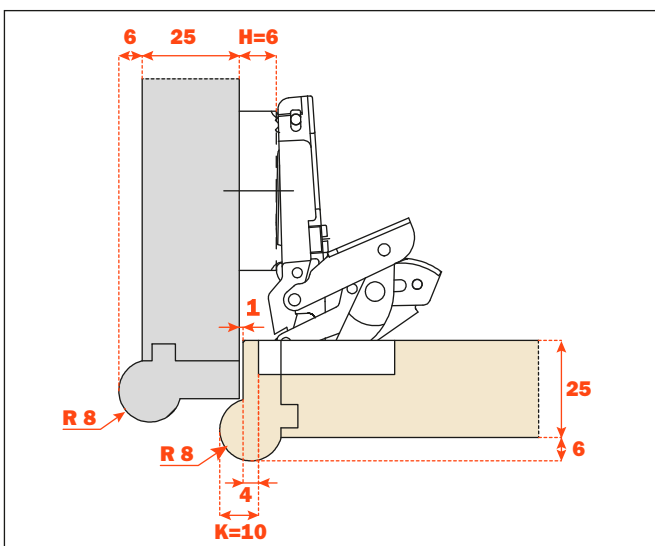
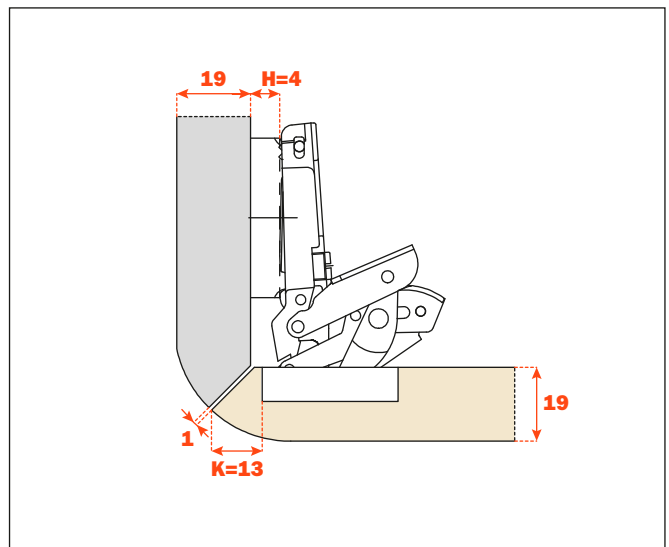
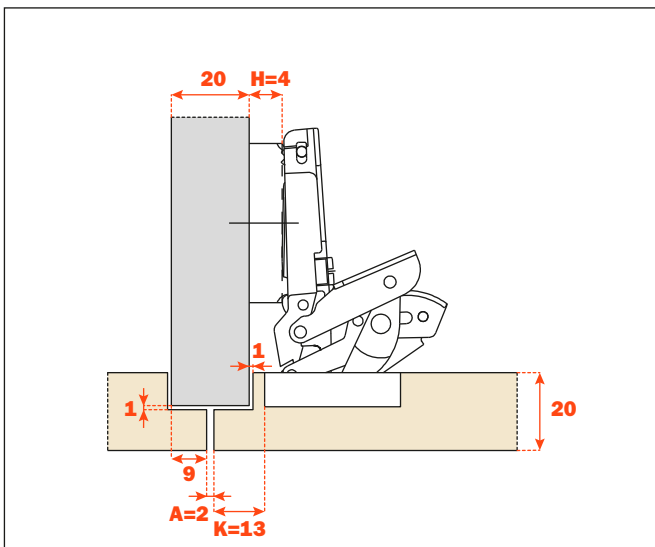
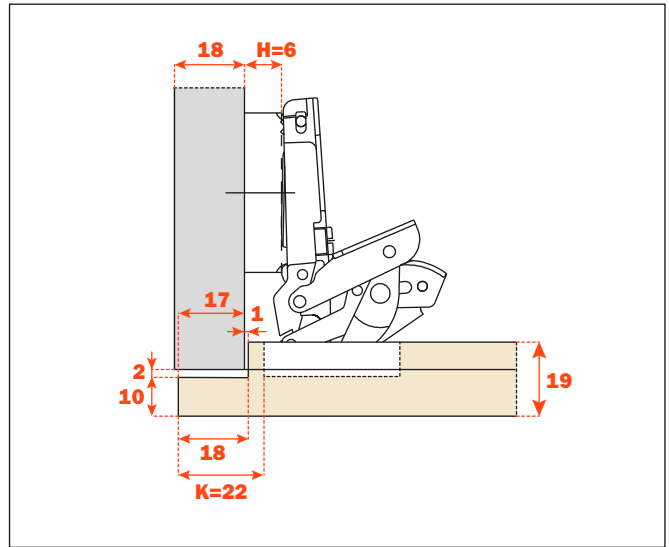
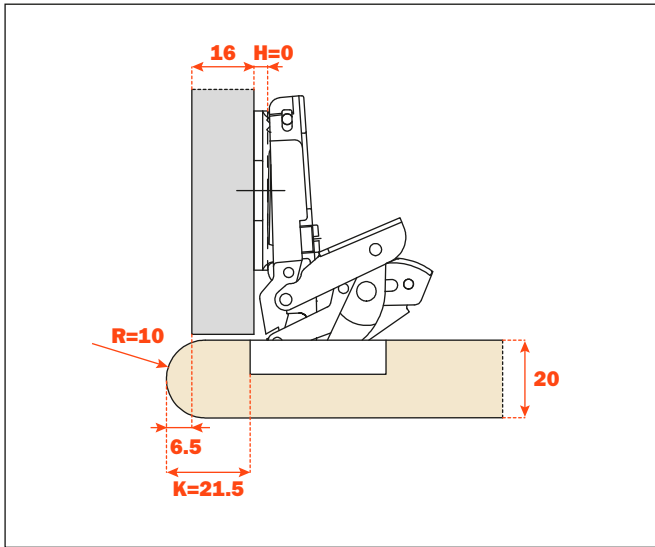
Doors with a minimum thickness of 8 mm made with special materials



Wooden doors



Wooden doors - Special assemblies





Accessories

Universal hinges - Accessories

Hinge arm cover caps.

S2BX83H9



Symmetrical steel hinge arm cover cap, it can be personalised on request.

S2BX83H6 = Titanio
S2BX83H9 = Nichelato

S2MX83H9



Symmetrical steel hinge arm cover cap with embossed logo.

S2MX83H6 = Titanio
S2MX83H9 = Nichelato

Flange cover cap for \varnothing 35 mm cup.

SBXX85A_



Plastic flange cover cap.

Available colours:

SBXX85A6 = Titanium
SBXX85A9 = Nickel plated

Packing
Boxes 1.000 pcs.

Cover.

Smove.

SBAX78A6SN



Packing
Boxes 300 pcs.

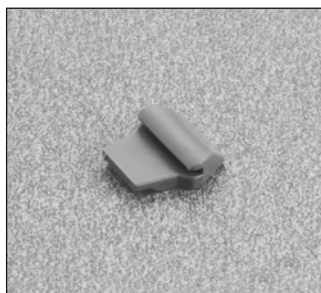
DBDESNG



Packing
Boxes 300 pcs.

Stop device.

SBA237X6



It limits the opening angle to 90°.

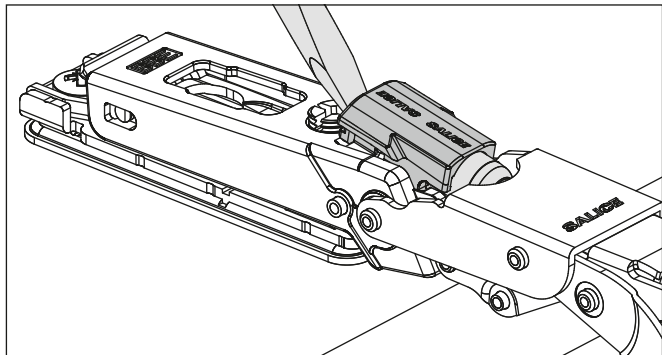
Packing
Boxes 2.000 pcs.

Disassembly and assembly instructions

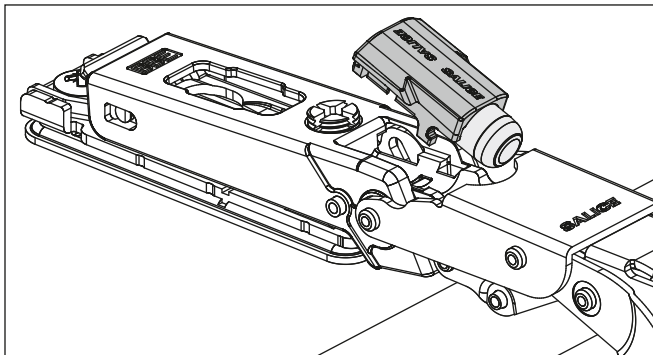
Disassembly of the Smove.

It is possible to convert the hinges with integrated soft-close into sprung hinges by replacing the Smove with the cover.

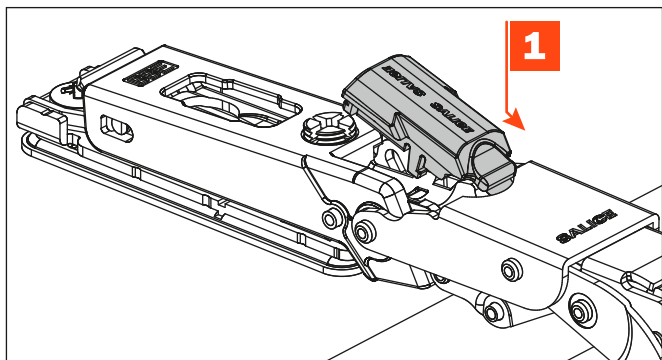
Lift the Smove using a flat-blade screwdriver.



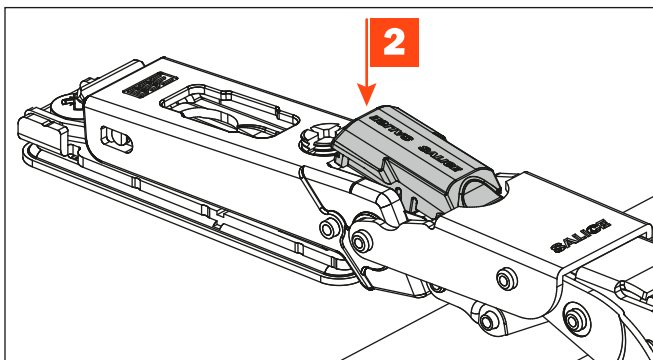
Remove the Smove from the hinge arm.



Insert the cover frontally.



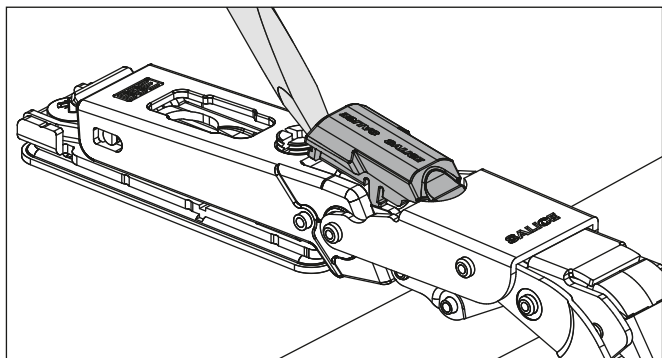
Press lightly on the back to fix in position.



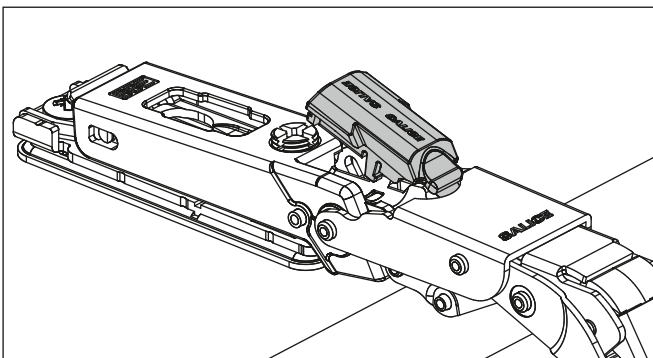
Disassembly of the cover.

It is possible to convert the sprung hinges into hinges with integrated soft-close by replacing the cover with the Smove.

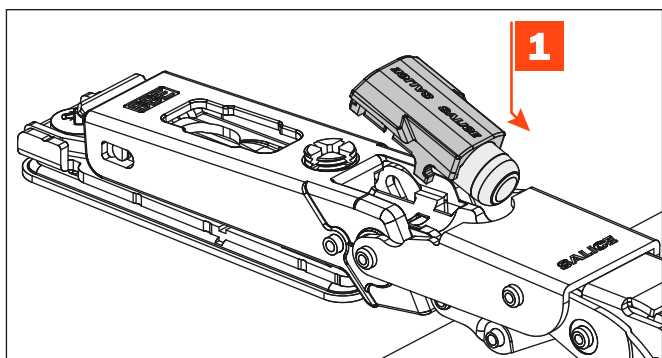
Lift the cover using a flat-blade screwdriver.



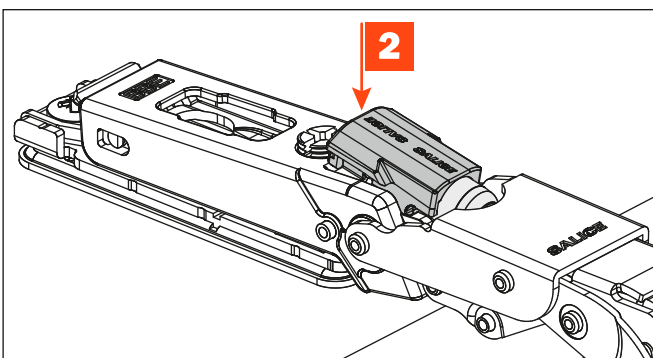
Remove the cover.



Insert the Smove frontally.



Press lightly on the back to fix in position.



ARTURO SALICE S.p.A.

VIA PROVINCIALE NOVEDRATESE, 10
22060 NOVEDRATE (COMO) ITALIA
TEL. 031 790424 - FAX 031 791508
info.salice@salice.com - www.salice.com

DEUTSCHE SALICE GMBH

RUDOLF DIESEL STR. 10
74382 NECKARWESTHEIM
TEL. 07133 9807-0
FAX. 07133 9807-16
info.salice@deutschesalice.de
www.salice.com

DEUTSCHE SALICE GMBH

VERKAUFSBÜRO NORD
RINGSTRASSE 36/A30 CENTER
32584 LÖHNE
TEL. 05731 15608-0
FAX. 05731 15608-10
vknord@deutschesalice.de
www.salice.com

SALICE UK LTD.

KINGFISHER WAY
HINCHINGBROOKE BUSINESS PARK
HUNTINGDON CAMBS PE 29 6FN
TEL. 01480 413831
FAX. 01480 451489
info.salice@saliceuk.co.uk
www.salice.com

SALICE FRANCE S.A.R.L.

285 RUE DE GOA ZAC LES 3 MOULINS
06600 ANTIBES
TEL. 0493 330069
FAX. 0493 330141
info.salice@salicefrance.com
www.salice.com

SALICE ESPAÑA, S.L.U.

C/ AIGUAFREDA 4, P.I. AMETLLA PARK
08480 L'AMETLLA DEL VALLÈS (BARCELONA)
TEL. 0034 938 46 88 61
info.salice@saliceespana.es
www.salice.com

SALICE PORTUGAL UNIP. LDA

SHOWROOM:

TV SÁ E MELO 161 FA
4470-116 MAIA - PORTO
TEL: 00351 224 154 221
Info@saliceportugal.pt
www.salice.com

ARMAZÉM:

VIA ROTA DOS MÓVEIS I 399
4585-325 GANDRA

SALICE CHINA (SHANGHAI) CO. LTD.

RM 602, 6/F, TOWER 1,
3688 YINGGANG DONG ROAD
QINGPU DISTRICT
201703 SHANGHAI, CHINA
TEL. 021 3988-9880
info.salice@salicechina.com
www.salicechina.com

SALICE INDIA PVT. LTD.

1001 & 1002, 10TH FLOOR,
CENTRUM, PLOT NO. C-3,
OPP. WAGLE PRABHAG SAMITI OFFICE,
MIDC AREA, WAGLE INDUSTRIAL ESTATE,
THANE - 400604, MAHARASHTRA
TEL. 022 20812050
info@saliceindia.com
www.salice.com

SALICE CANADA INC.

3500 RIDGEWAY DRIVE,
UNIT#1
MISSISSAUGA, ONTARIO, L5L 0B4
TEL. 905 820 8787
FAX. 905 820 7226
info.salice@salicecanada.com
www.salicecanada.com

SALICE AMERICA INC.

2123 CROWN CENTRE DRIVE
CHARLOTTE NC. 28227
TEL. 704 841 7810
FAX. 704 841 7808
info.salice@saliceamerica.com
www.saliceamerica.com



Digital contents