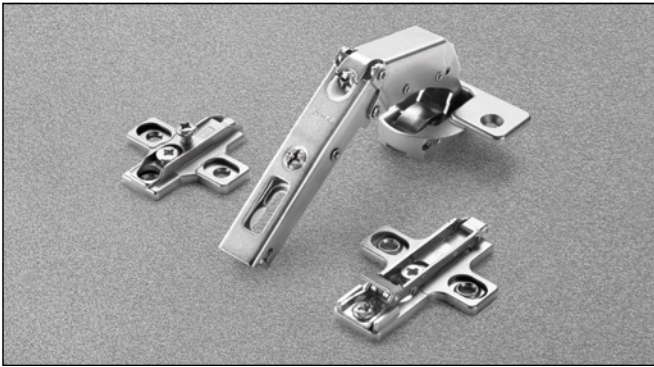




Hinges for corner cabinets

SALICE

Series 200 - Complementary hinges



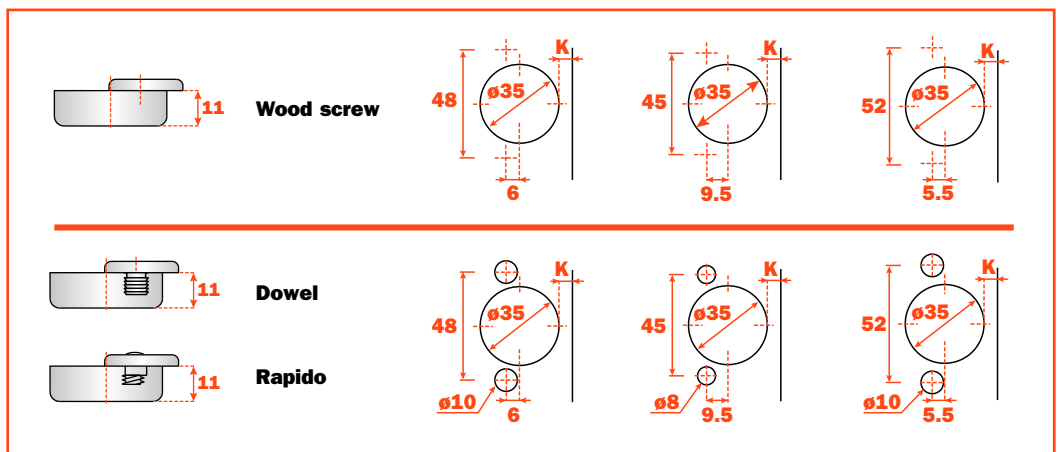
Technical information

Adjustable hinge for corner cabinets.

11 mm deep die-cast cup.
 35 mm cup diameter.
 Opening angle of the first door 65°.
 Possible drilling distance on the door (K): from 3 to 5 mm.
 Maximum thickness of the door with square edges: 25 mm.
 For thicker doors or doors with mouldings or with large radiused edges, please refer to our technical assistance.
 Compatible with all traditional Series 200 mounting plates and with all Domi snap-on mounting plates.

Packing

Boxes 150 pcs.
 Pallets 3.600 pcs.

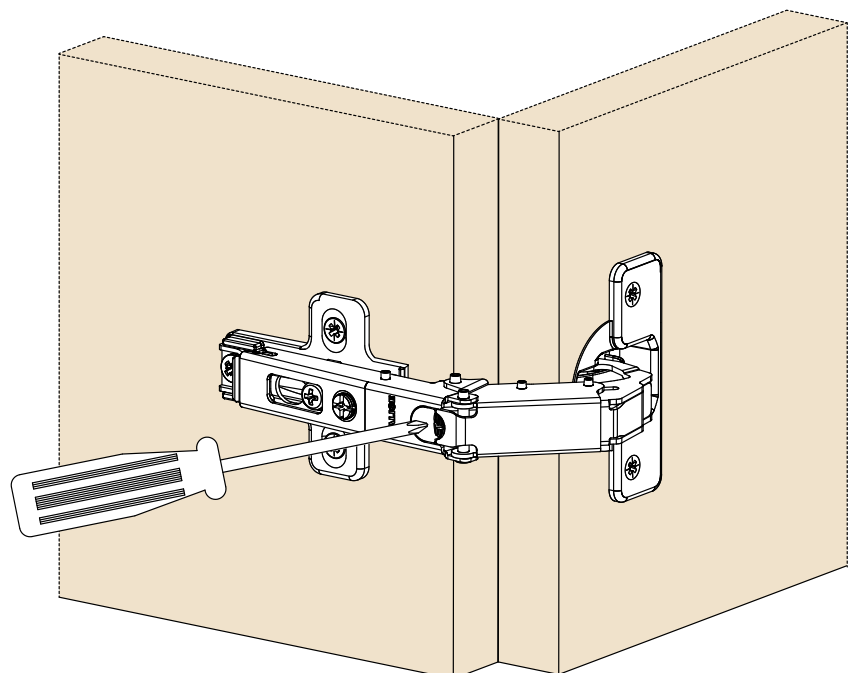
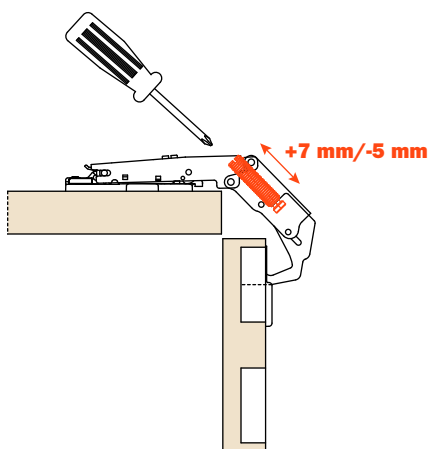


All hinges are available in titanium finish; to order them replace the numbers 99 of the part number with the numbers 66.

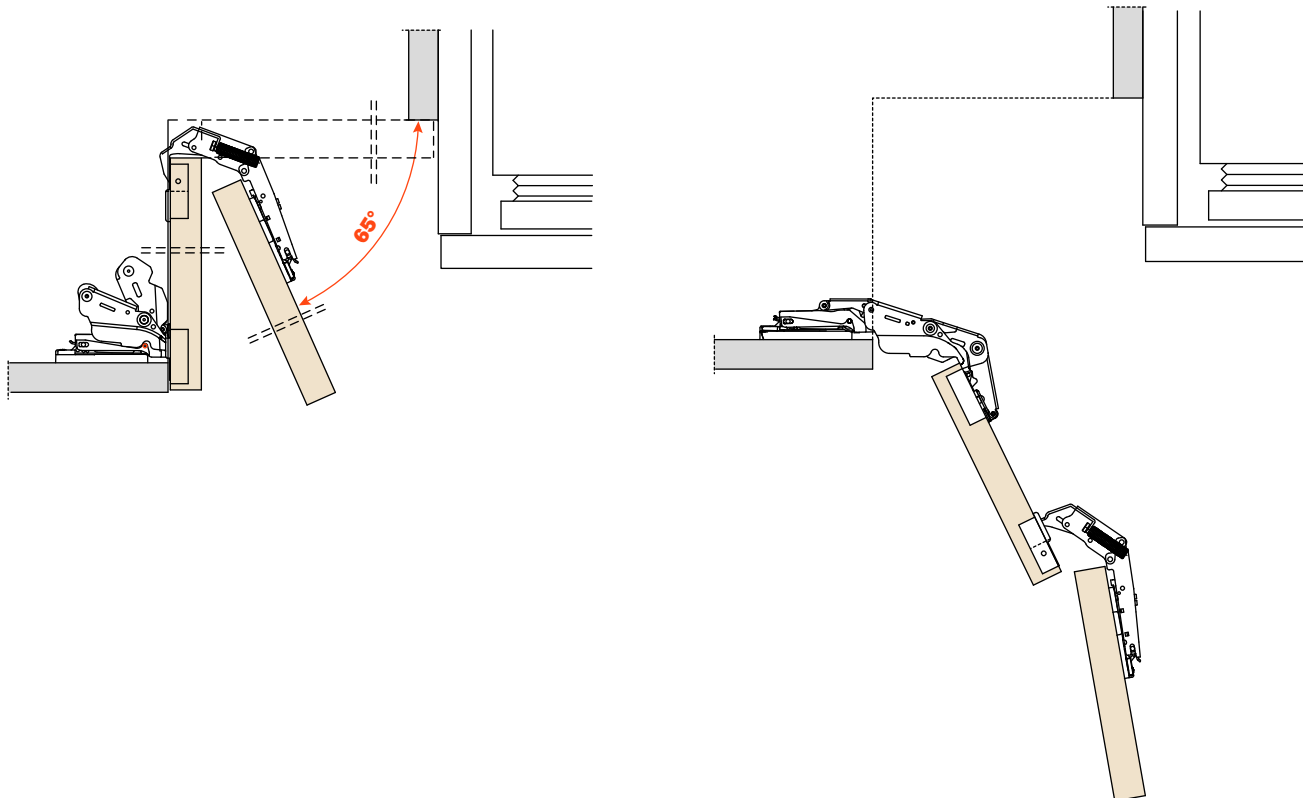
Example: C2AYA**99**R = Nickel-plated
 C2AYA**66**R = Titanium

		Sprung hinge Nickel-plated finish					
		48	45	52			
Fixing							
	Wood screw	C2AYA99R	C2PYA99R	C2UYA99R			
	Dowel	C2BYA99R	C2RYA99R	C2WYA99R			
	Rapido	C26YA99R	C27YA99R	C22YA99R			

Diagonal adjustment



Hinge movement and maximum opening angle



Diagonal adjustment and space required to accommodate the hinge

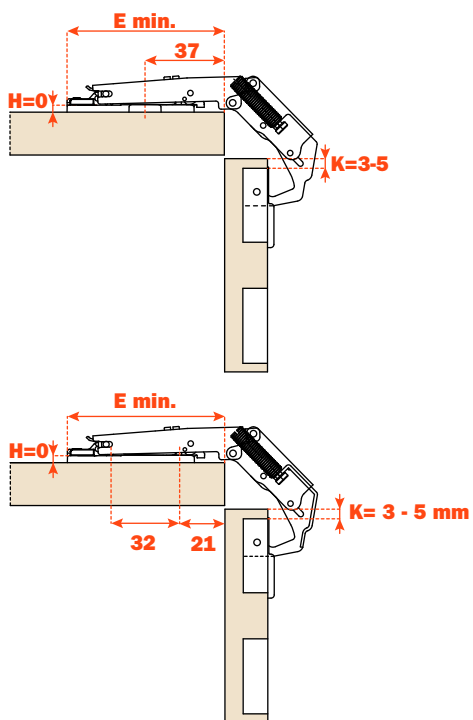
With H0 mounting plates

Suitable for door thickness from 16 to 25 mm

- For door thickness from 16 to 23 mm, K from 3 to 5 mm
- For door thickness from 24 to 25 mm, K from 3 to 4 mm

The maximum space required to accommodate the hinge with mounting plates

- Series 200 = 61 mm
- Domi = 70 mm
- Domi with back cam = 74 mm



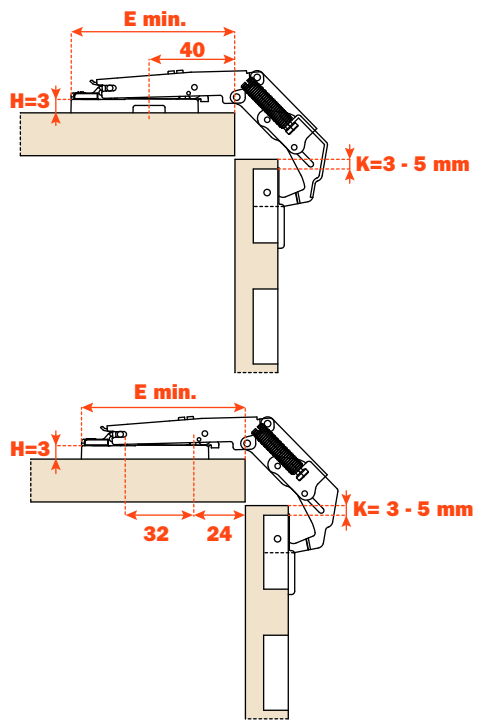
With H3 mounting plates

Suitable for door thickness from 19 to 25 mm

- For door thickness from 19 to 23 mm, K from 3 to 5 mm
- For door thickness from 24 to 25 mm, K from 3 to 4 mm

The maximum space required to accommodate the hinge with mounting plates

- Series 200 = 64 mm
- Domi = 73 mm
- Domi with back cam = 77 mm



ARTURO SALICE S.p.A.

VIA PROVINCIALE NOVEDRATESE, 10
22060 NOVEDRATE (COMO) ITALIA
TEL. 031 790424 - FAX 031 791508
info.salice@salice.com - www.salice.com

DEUTSCHE SALICE GMBH

RUDOLF DIESEL STR. 10
74382 NECKARWESTHEIM
TEL. 07133 9807-0
FAX. 07133 9807-16
info.salice@deutschesalice.de
www.salice.com

DEUTSCHE SALICE GMBH

VERKAUFSBÜRO NORD
RINGSTRASSE 36/A30 CENTER
32584 LÖHNE
TEL. 05731 15608-0
FAX. 05731 15608-10
vknord@deutschesalice.de
www.salice.com

SALICE UK LTD.

KINGFISHER WAY
HINCHINGBROOKE BUSINESS PARK
HUNTINGDON CAMBS PE 29 6FN
TEL. 01480 413831
FAX. 01480 451489
info.salice@saliceuk.co.uk
www.salice.com

SALICE FRANCE S.A.R.L.

285 RUE DE GOA ZAC LES 3 MOULINS
06600 ANTIBES
TEL. 0493 330069
FAX. 0493 330141
info.salice@salicefrance.com
www.salice.com

SALICE ESPAÑA, S.L.U.

C/ AIGUAFREDA 4, P.I. AMETLLA PARK
08480 L'AMETLLA DEL VALLÈS (BARCELONA)
TEL. 0034 938 46 88 61
info.salice@saliceespana.es
www.salice.com

SALICE PORTUGAL UNIP. LDA

SHOWROOM:

TV SÁ E MELO 161 FA
4470-116 MAIA - PORTO
TEL: 00351 224 154 221
Info@saliceportugal.pt
www.salice.com

ARMAZÉM:

VIA ROTA DOS MÓVEIS I 399
4585-325 GANDRA

SALICE CHINA (SHANGHAI) CO. LTD.

1st FLOOR, B1 BLDG 928 MINGZHU ROAD
XUJING, QINGPU DISTRICT
SHANGHAI 201702 - CHINA
TEL. 021 3988 9880
FAX. 021 3988 9882
info.salice@salicechina.com
www.salicechina.com

SALICE INDIA PVT. LTD.

1001 & 1002, 10TH FLOOR,
CENTRUM, PLOT NO. C-3,
OPP. WAGLE PRABHAG SAMITI OFFICE,
MIDC AREA, WAGLE INDUSTRIAL ESTATE,
THANE - 400604, MAHARASHTRA
TEL. 022 20812050
info@saliceindia.com
www.salice.com

SALICE CANADA INC.

3500 RIDGEWAY DRIVE,
UNIT#1
MISSISSAUGA, ONTARIO, L5L 0B4
TEL. 905 820 8787
FAX. 905 820 7226
info.salice@salicecanada.com
www.salicecanada.com

SALICE AMERICA INC.

2123 CROWN CENTRE DRIVE
CHARLOTTE NC. 28227
TEL. 704 841 7810
FAX. 704 841 7808
info.salice@saliceamerica.com
www.saliceamerica.com



Digital contents