



Conecta

SALICE

UNITED
STATES
•
CANADA

Conecta • Concealed hinge



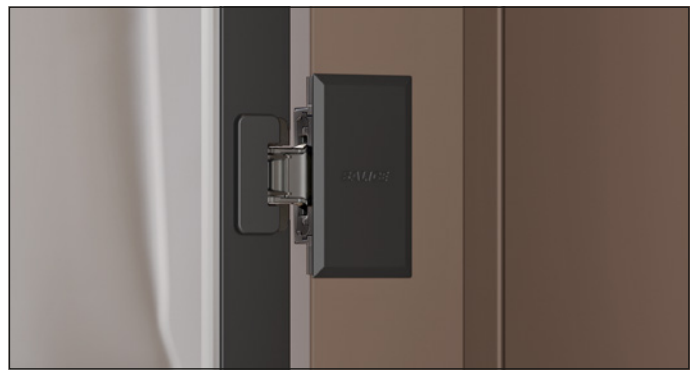
A perfect synthesis of compactness and adaptability.

Conecta is the totally innovative Salice hinge that mounts recessed completely in the side panel.

Its technical features allow any wood or aluminum doors, even tall and heavy ones, to open and close smoothly.

The **Conecta** hinge, with its 94° opening, is fully adjustable in three directions by cam adjusters and is also available with an integrated soft close mechanism for decelerated closing.

Thanks to its aesthetics, elegance and functionality, **Conecta** is suitable for different applications. It is available in nickel-plated or titanium finishes and can come with customizable cover caps for both the cabinet door and side.



Conecta • Hinge for wood doors

Concealed CQA3JE hinge with recessed insertion in the side panel.

Door overlay 12,5 mm (1/2") using holder-sleeve DQG3B

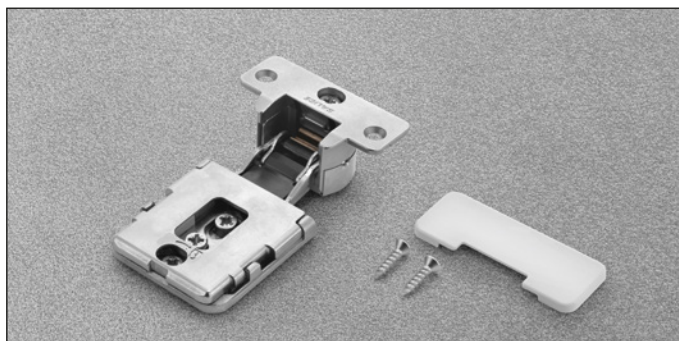
Side adjustment -1 +2 mm
 Height adjustment -2,5 +2,5 mm
 Depth adjustment 0 +3 mm



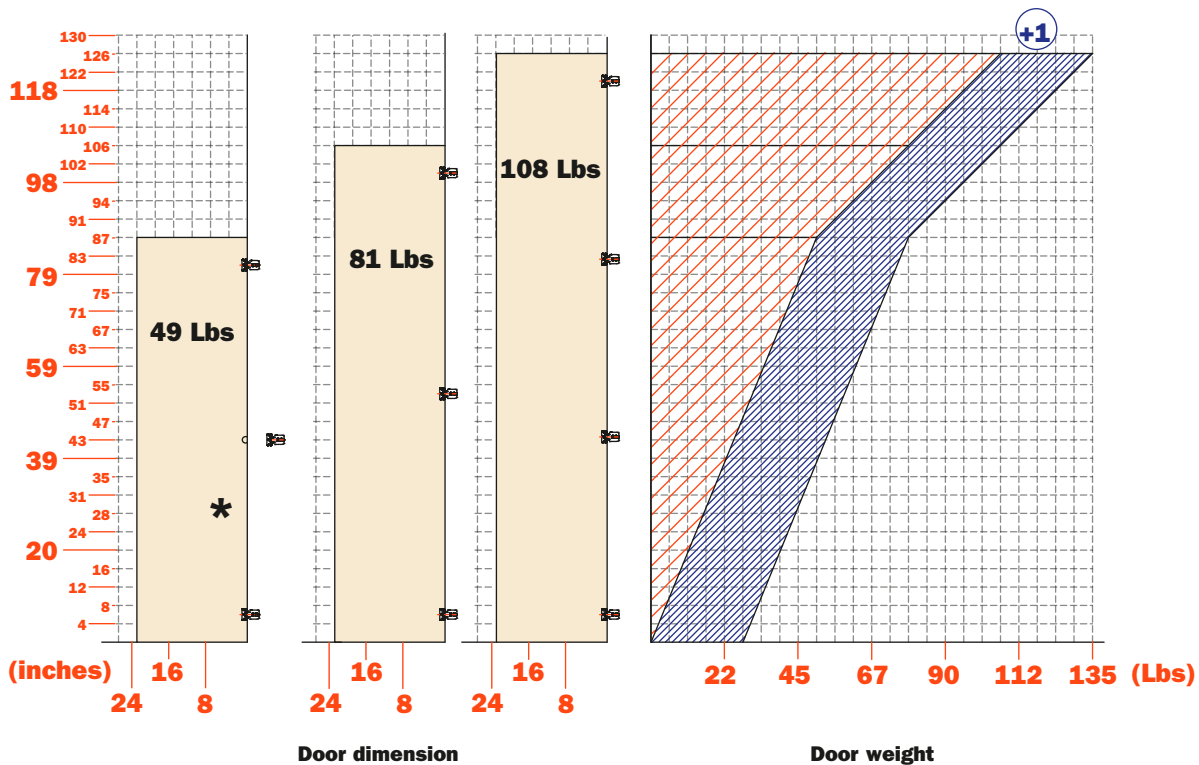
Concealed CQA3KE hinge with recessed insertion in the side panel

Door overlay 16,5 mm (5/8") using holder-sleeve DQG3B

Side adjustment -1 +2 mm
 Height adjustment -2,5 +2,5 mm
 Depth adjustment 0 +3 mm



Approx. number of hinges required according to the door dimension and weight



* Adding one hinge in the center of the door increases its stability

Conecta • Hinge for aluminum-framed doors

Concealed CQZ3JE hinge with recessed insertion in the side panel.

Door overlay 12,5 mm (1/2") using holder-sleeve DQG3B

Side adjustment -2 +0,5 mm
 Height adjustment -2,5 +2,5 mm
 Depth adjustment 0 +3 mm



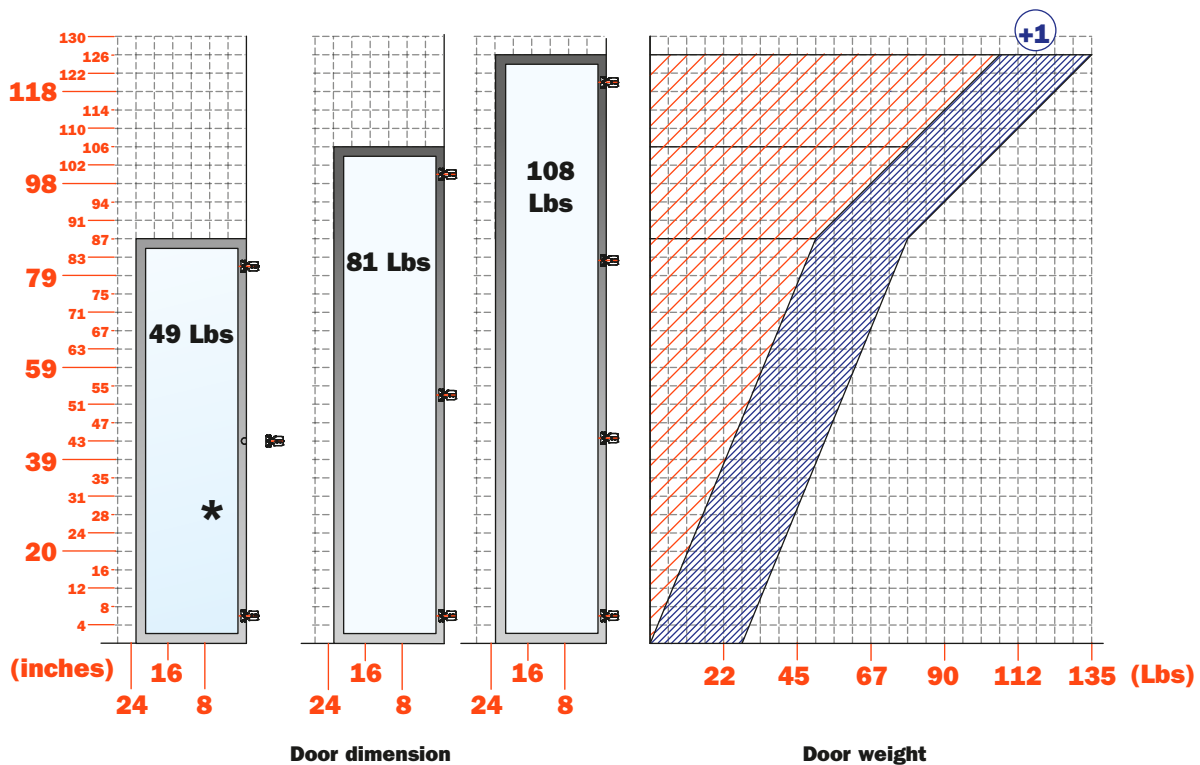
Concealed CQZ3KE hinge with recessed insertion in the side panel.

Door overlay 16,5 mm (5/8") using holder-sleeve DQG3B

Side adjustment -2 +0,5 mm
 Height adjustment -2,5 +2,5 mm
 Depth adjustment 0 +3 mm

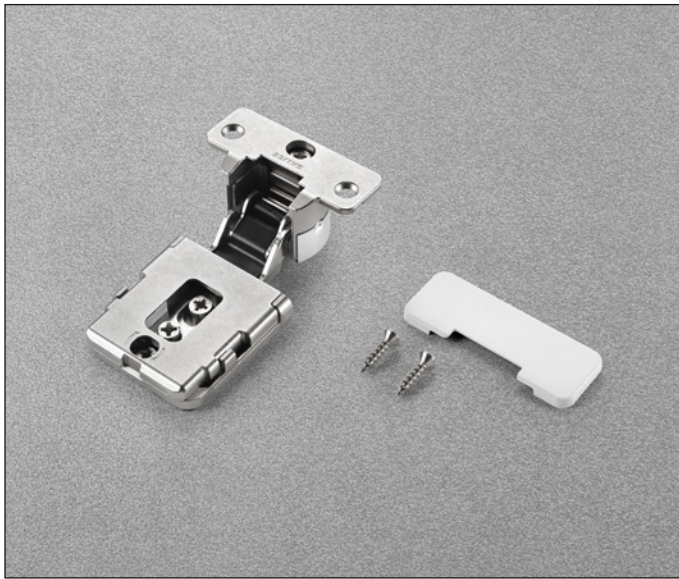


Approx. number of hinges required according to the door dimension and weight



* Adding one hinge in the center of the door increases its stability

Conecta • Hinge for wood doors

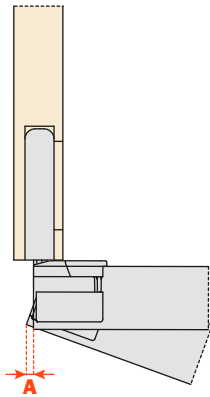


Technical features

Concealed Conecta CQA3JE hinge with recessed insertion in the side panel.

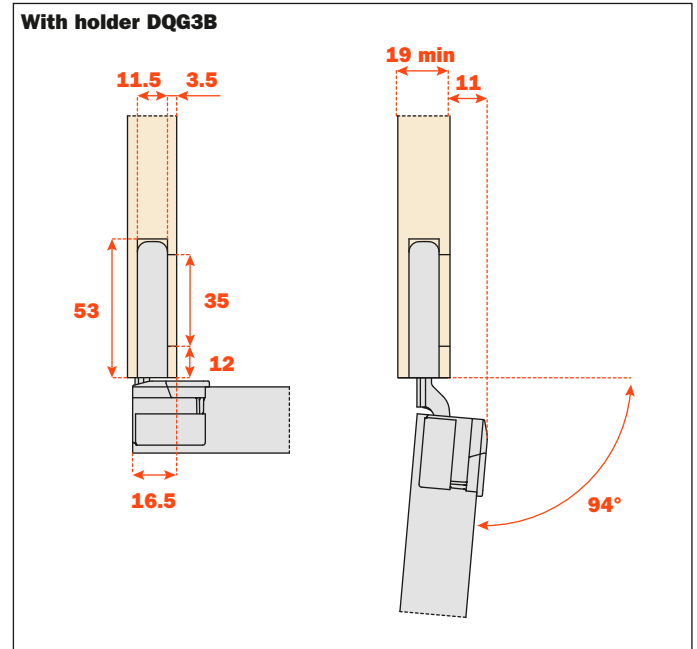
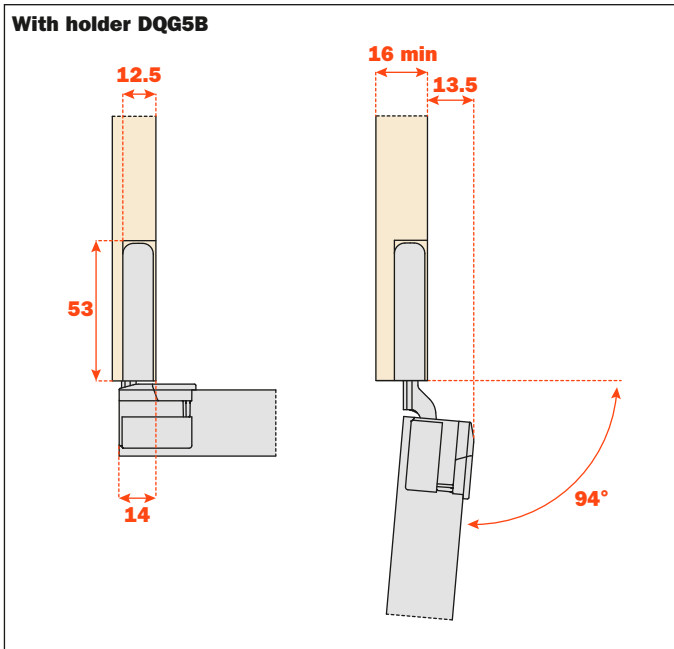
- Rapid fastening of the door to the cabinet side
- 22 mm deep metal cup
- Drilling distance fixed at 10 mm from the edge of the door to the centre of the hole
- Diameter 35 mm
- L = 3,5 mm
- 94° opening
- 6-way adjustable

Space needed to open the door



T=	25	26	27	28	29	30
A=	2.4	3.1	4.0	4.7	5.5	6.3

Fixing into the side and protrusion of the door



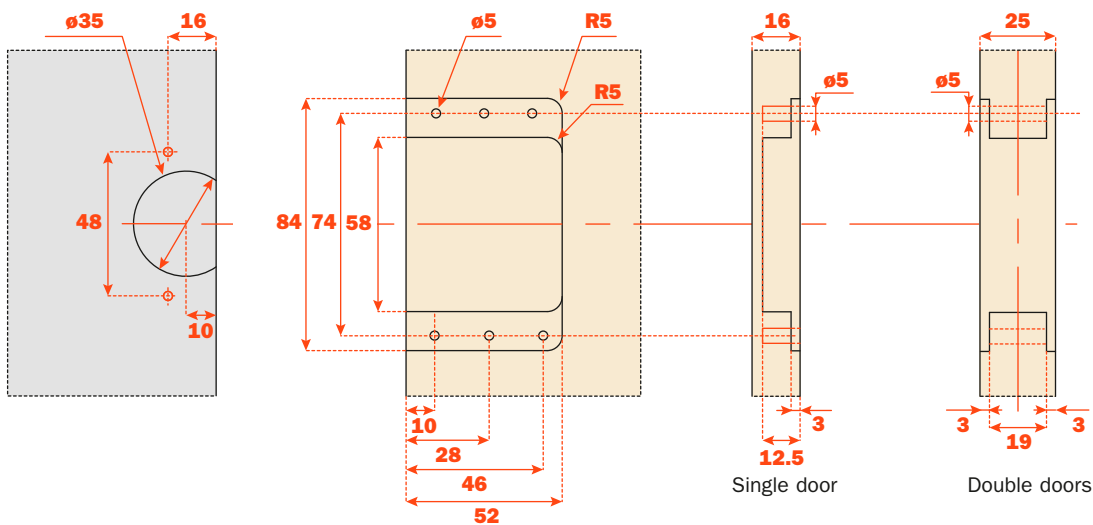
Assembly on door and cabinet

Holder DQG5B

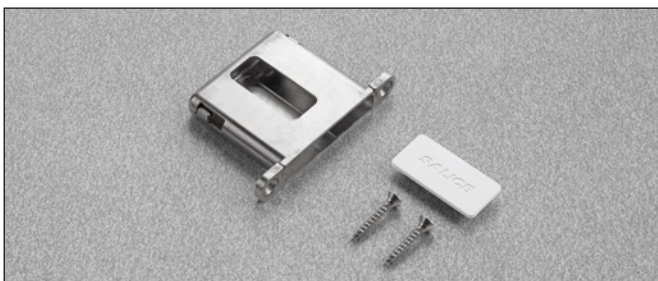


- For single door applications
- For double doors applications with 25 mm (1") side panel thickness

- Attaches to the side using $\phi 5 \times 12.5$ mm Euro screws
- Screws and cover caps included in packaging

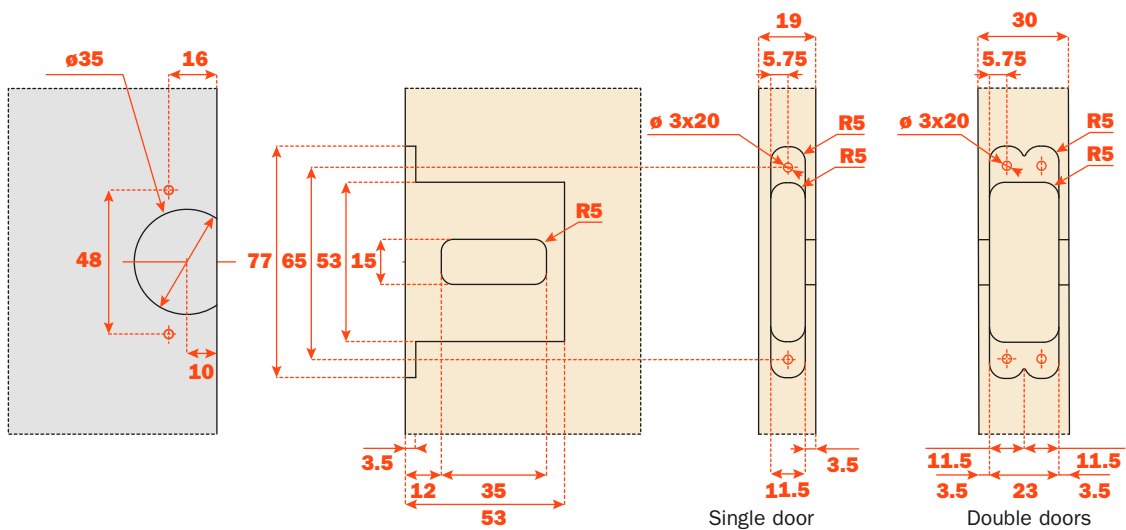


Holder DQG3B

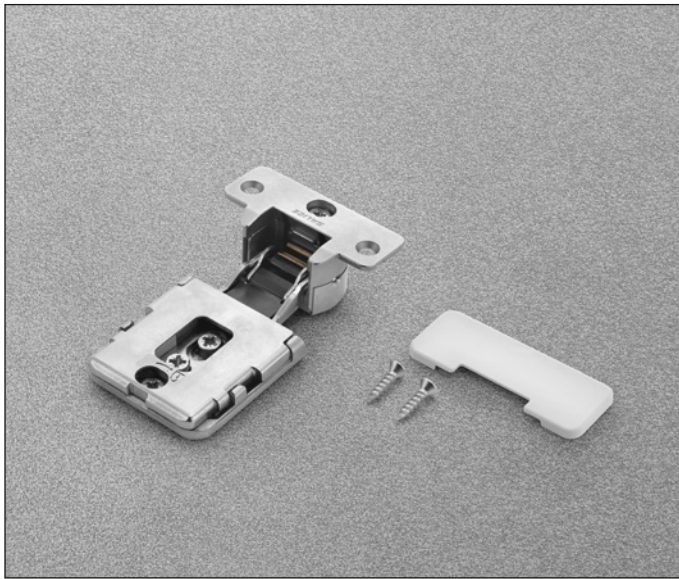


- For single door applications
- For double doors applications with 30 mm (1 - 5/16") side panel thickness

- Attaches to the side using $\phi 4 \times 25$ mm screws
- Screws and cover caps included in packaging



Conecta • Hinge for wood doors

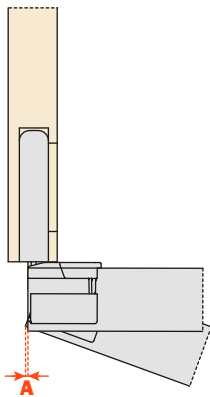


Technical features

Concealed Conecta CQA3KE hinge with recessed insertion in the side panel.

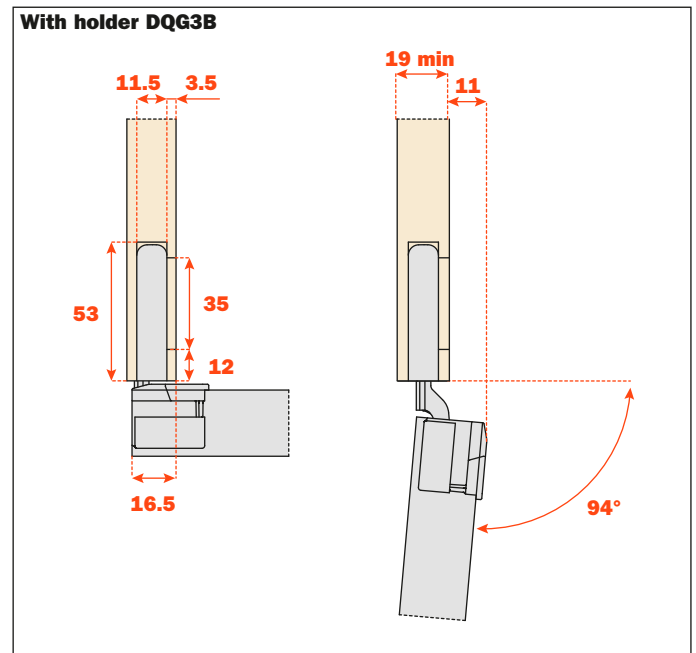
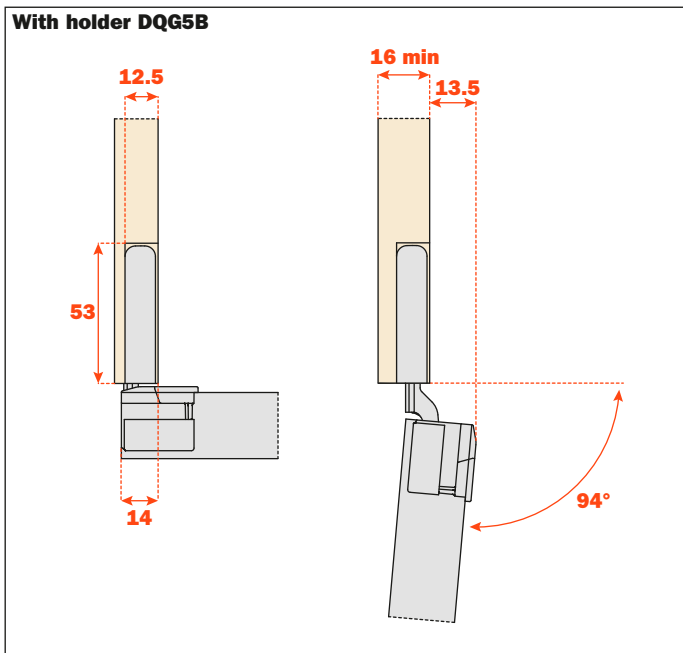
- Rapid fastening of the door to the cabinet side
- 22 mm deep metal cup
- Drilling distance fixed at 10 mm from the edge of the door to the centre of the hole
- Diameter 35 mm
- L = 3,5 mm
- 94° opening
- 6-way adjustable

Space needed to open the door



T=	25	26	27	28	29	30
A=	2.4	3.1	4.0	4.7	5.5	6.3

Fixing into the side and protrusion of the door



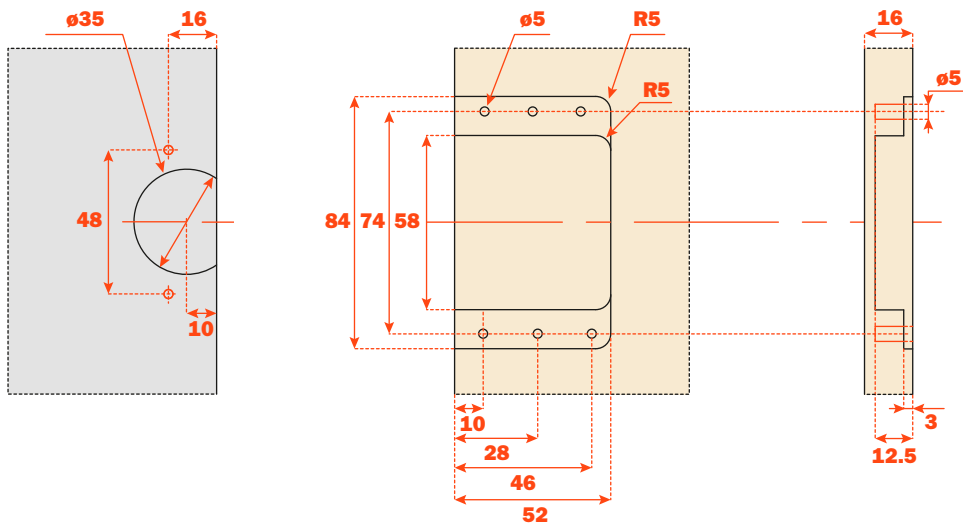
Assembly on door and cabinet

Holder DQG5B

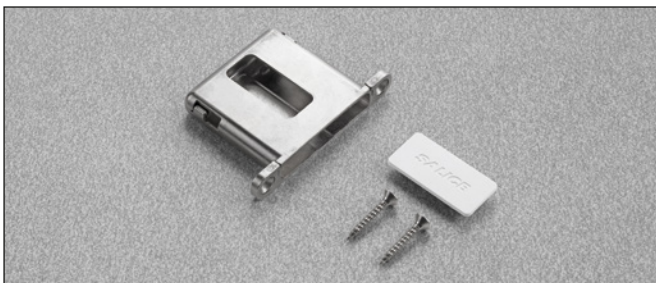


- For single door applications

- Attaches to the side using $\varnothing 5 \times 12.5$ mm Euroscrews
- Screws and cover caps included in packaging

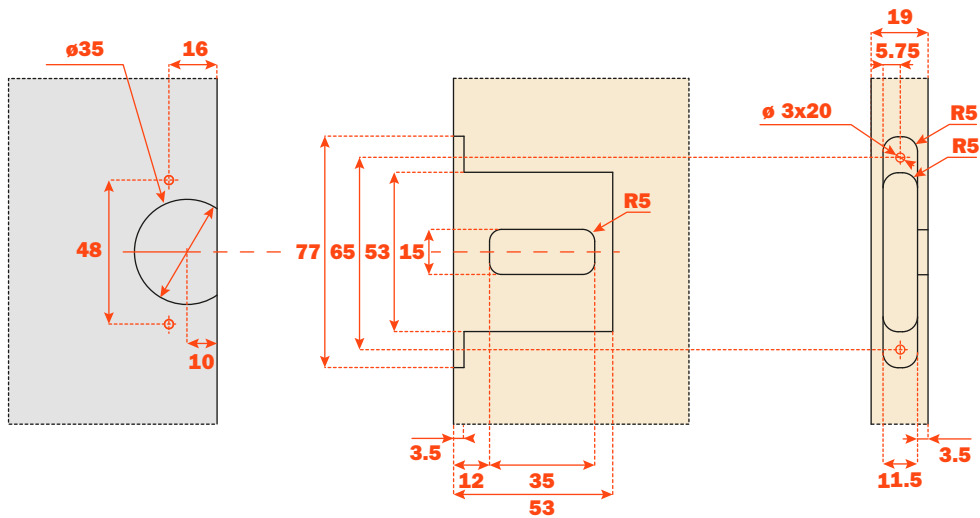


Holder DQG3B

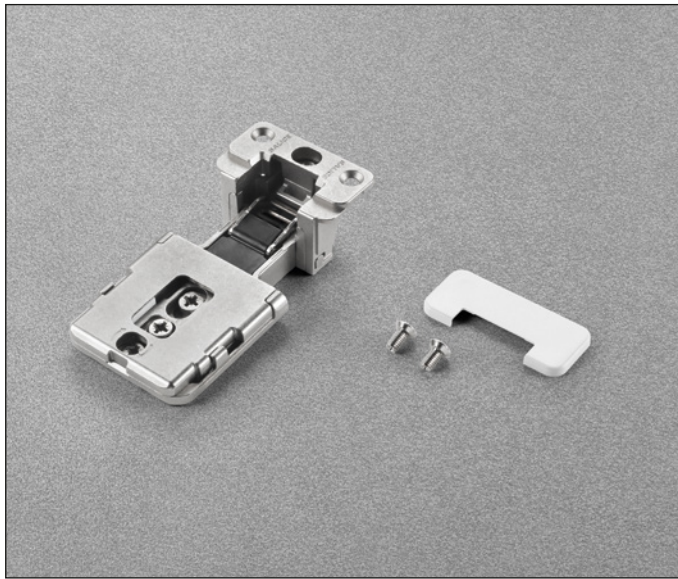


- For single door applications

- Attaches to the side using $\varnothing 4 \times 25$ mm screws
- Screws and cover caps included in packaging



Conecta • Hinge for aluminum-framed doors

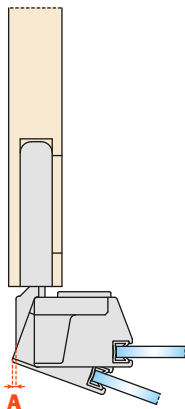


Technical features

Concealed Conecta CQZ3JE hinge with recessed insertion in the side panel.

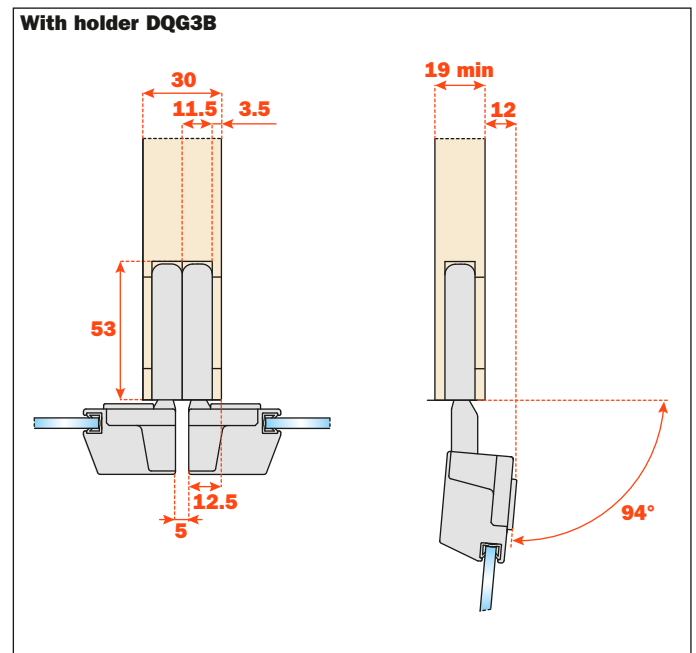
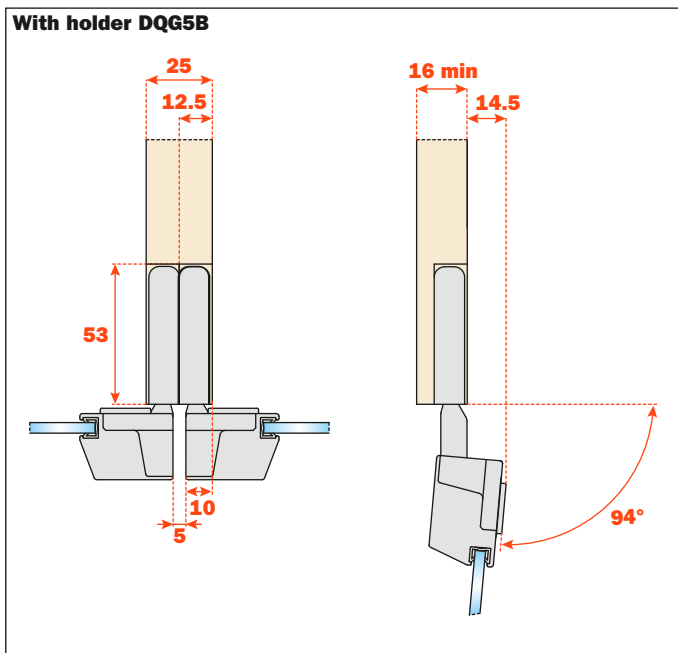
- Rapid fastening of the door to the cabinet side
- For aluminum-framed doors
- 24 mm deep metal cup
- L = 3,5 mm
- 94° opening
- 6-way adjustable

Space needed to open the door



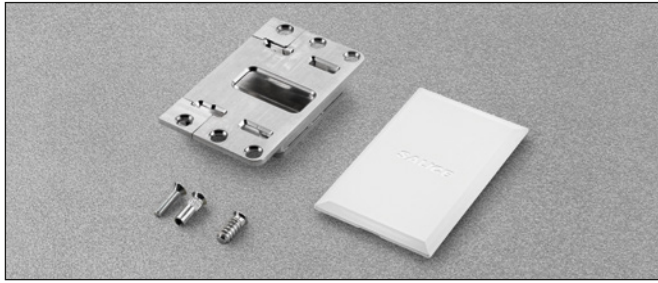
T=	25	26	27	28	29	30
A=	2.4	3.3	4.2	5.2	6.1	7.1

Fixing into the side and protrusion of the door



Assembly on door and cabinet

Holder DQG5B

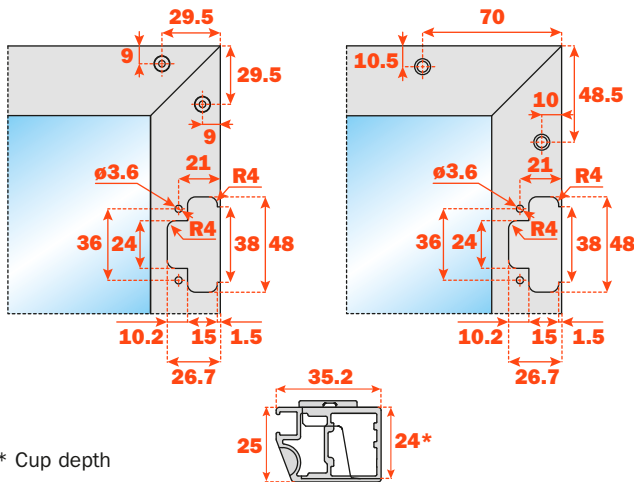


- For single door applications
- For double doors applications with 25 mm (1") side panel thickness

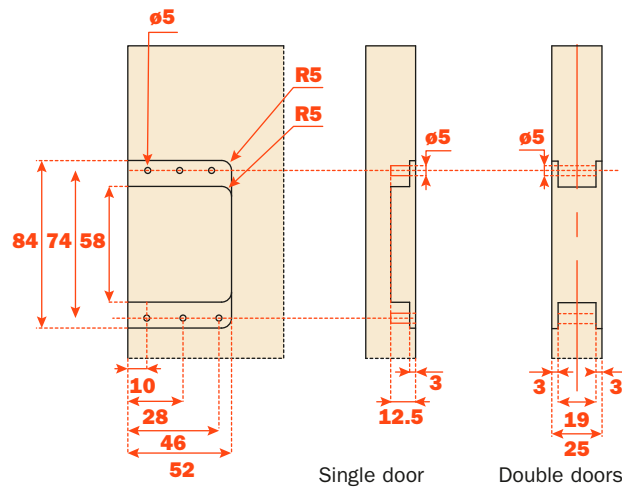
- Attaches to the side using $\varnothing 5 \times 12.5$ mm Euroscrews (single door)
- Attaches to the side using $\varnothing 5$ mm interlocking screws (double doors)
- Screws and cover caps included in packaging

Drilling with corner connector
DQZ3HS5V04

Drilling with corner connector
DEL6BSFV02



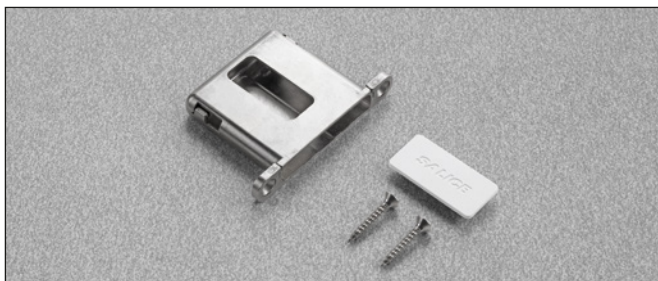
* Cup depth



Single door

Double doors

Holder DQG3B

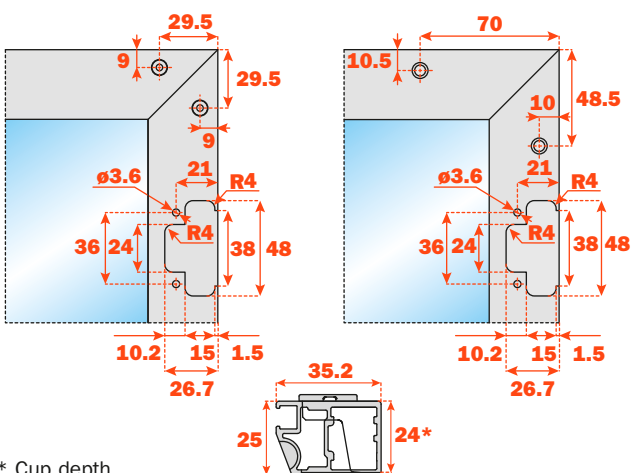


- For single door applications
- For double doors applications with 30 mm (1 - 5/16") side panel thickness

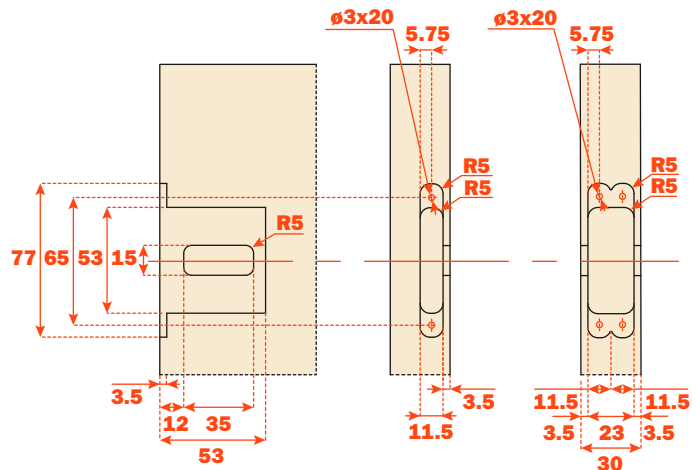
- Attaches to the side using $\varnothing 4 \times 25$ mm screws
- Screws and cover caps included in packaging

Drilling with corner connector
DQZ3HS5V04

Drilling with corner connector
DEL6BSFV02



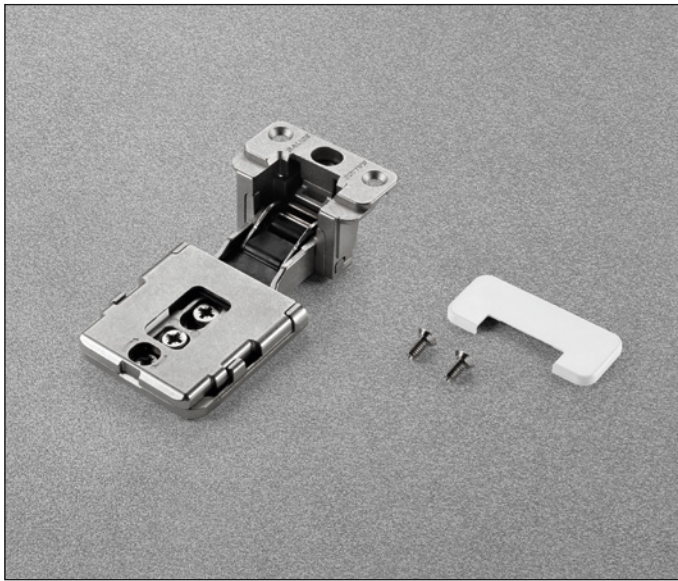
* Cup depth



Single door

Double doors

Conecta • Hinge for aluminum-framed doors

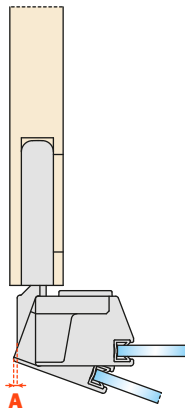


Technical features

Concealed Conecta CQZ3KE hinge with recessed insertion in the side panel.

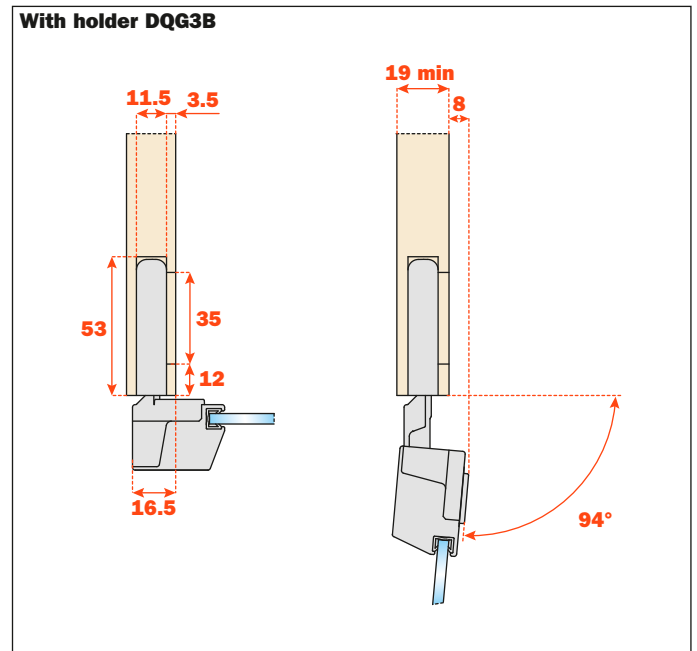
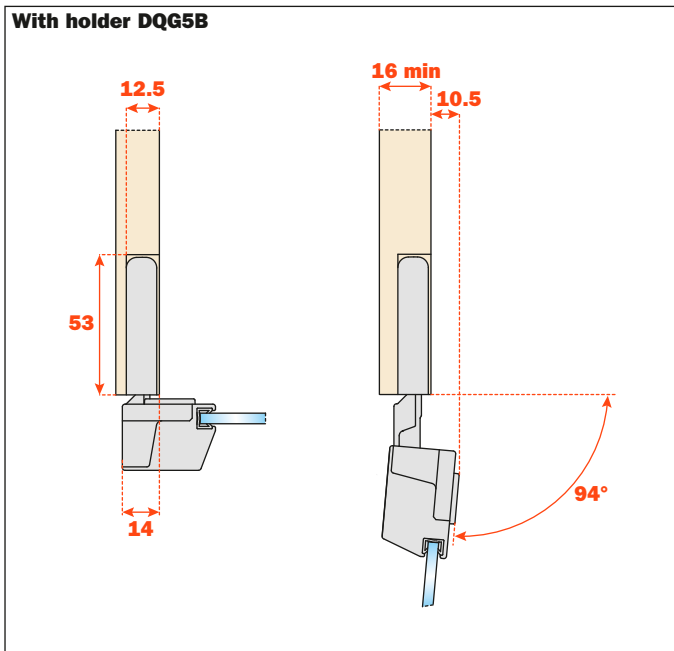
- Rapid fastening of the door to the cabinet side
- For aluminum-framed doors
- 24 mm deep metal cup
- L = 3,5 mm
- 94° opening
- 6-way adjustable

Space needed to open the door



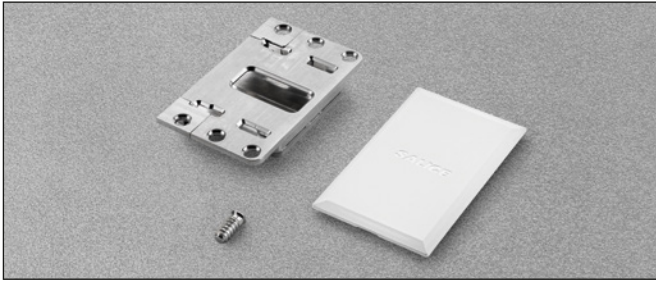
T=	25	26	27	28	29	30
A=	2.4	3.3	4.2	5.2	6.1	7.1

Fixing into the side and protrusion of the door



Assembly on door and cabinet

Holder DQG5B

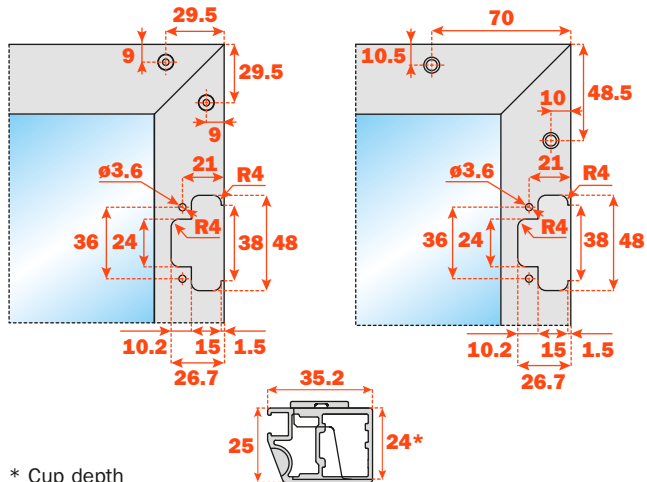


- For single door applications

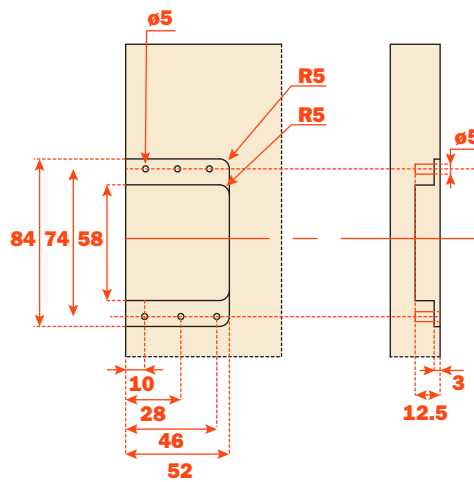
- Attaches to the side using $\varnothing 5 \times 12.5$ mm Euro screws
- Screws and cover caps included in packaging

Drilling with corner connector
DQZ3HS5V04

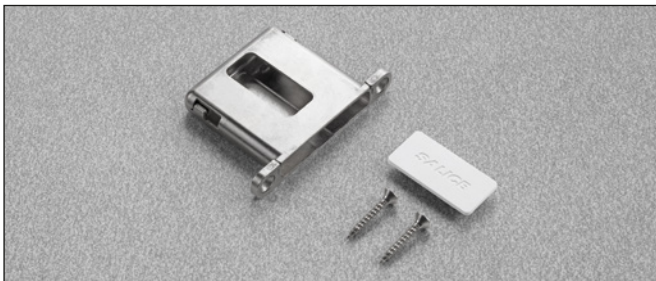
Drilling with corner connector
DEL6BSFV02



* Cup depth



Holder DQG3B

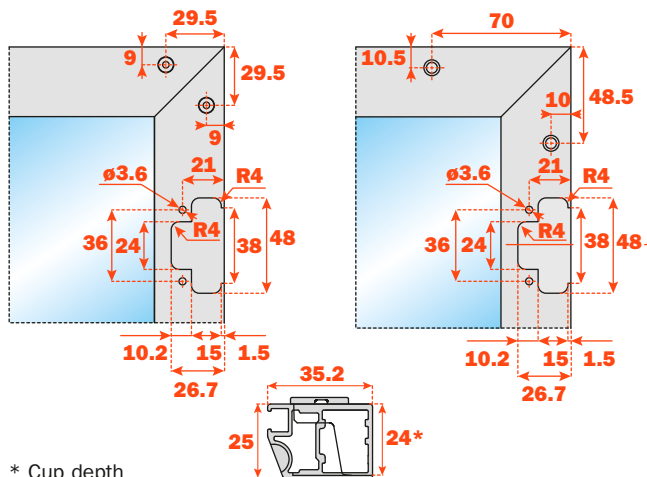


- For single door applications

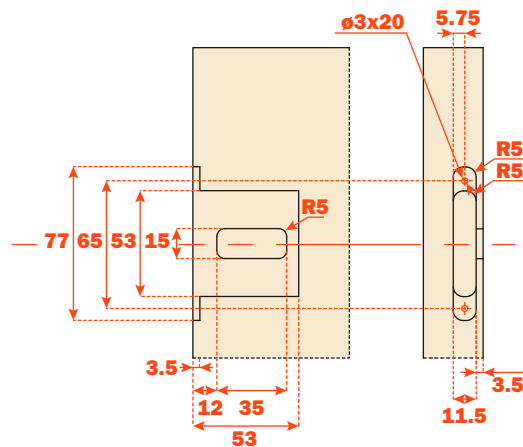
- Attaches to the side using $\varnothing 4 \times 25$ mm screws
- Screws and cover caps included in packaging

Drilling with corner connector
DQZ3HS5V04

Drilling with corner connector
DEL6BSFV02

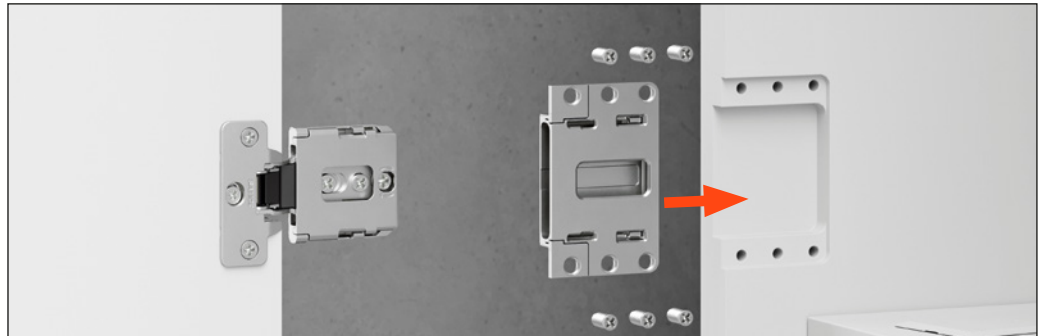


* Cup depth

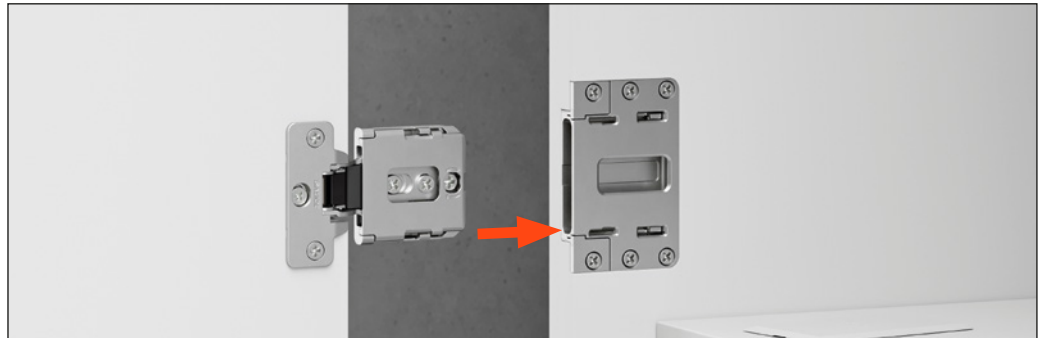


Conecta • Assembly • Single door with holder DQG5B

Fix the holder to the cabinet side using the Euroscrews provided



Fully insert the hinge into the holder



Once fully inserted, lock the hinge into place using the back cam

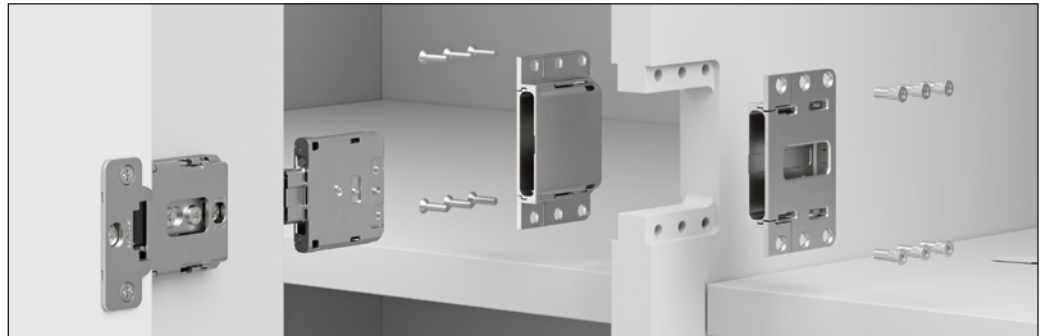


Apply the flange and the screw cover caps

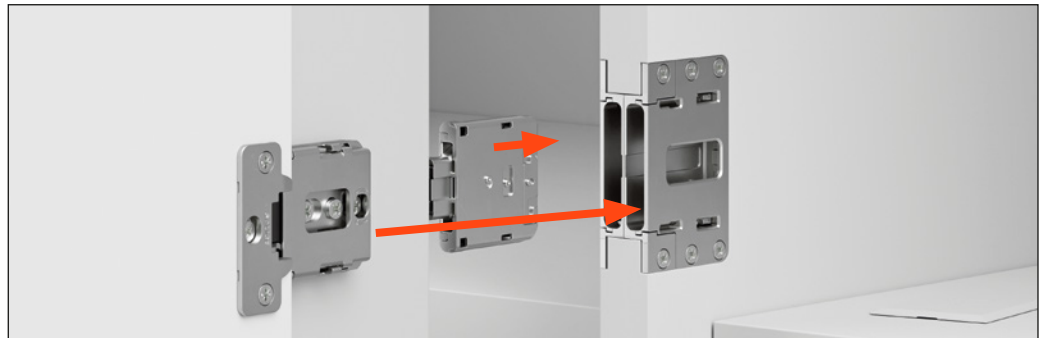


Double doors with holder DQG5B

Fix the holders to the cabinet side using interlocking screws



Fully insert the hinges into the holders



Once fully inserted, lock the hinges into place using the back cam

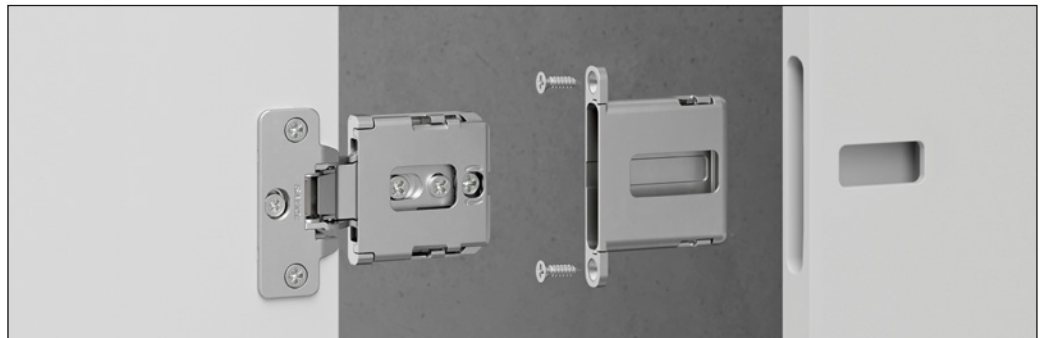


Apply the flange and the screw cover caps

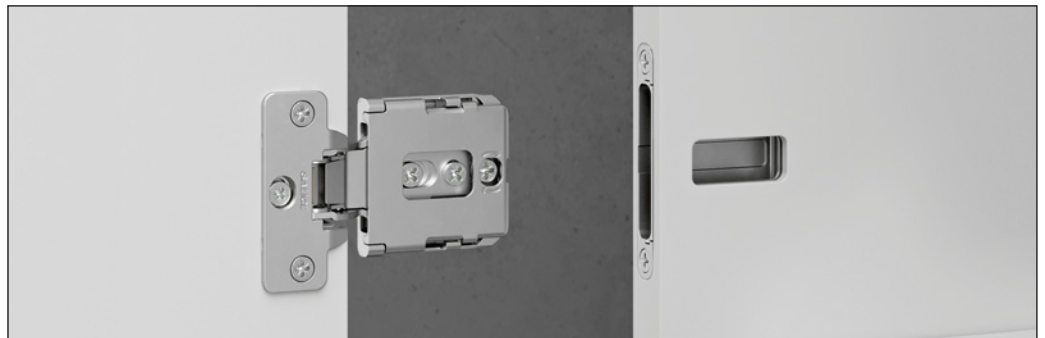


Conecta • Assembly • Single door with holder DQG3B

Fix the holder to the cabinet side using the woodscrews provided



Fully insert the hinge into the holder



Once inserted, lock the hinge into place through the back cam

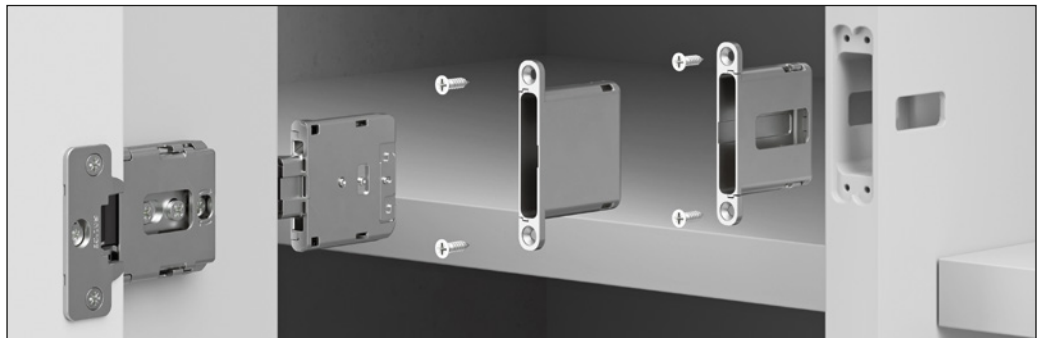


Apply the flange and the screw cover caps



Double doors with holder DQG3B

Fix the holders to the cabinet side using the woodscrews provided



Fully insert the hinges into the holders



Once inserted, lock the hinges into place through the back cam

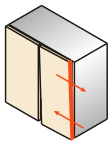


Apply the flange and the screw cover caps

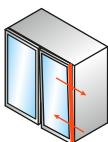


Conecta - Adjustments • Holder DQG5B

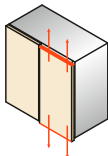
Side adjustment for hinge for wood doors:
from -1 to +2



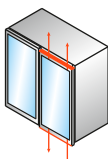
Side adjustment for hinge for aluminum-framed doors:
from -2 to +0,5



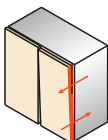
Height adjustment for hinge for wood doors:
from -2,5 to +2,5



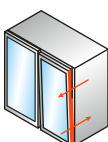
Height adjustment for hinge for aluminum-framed doors:
from -2,5 to +2,5



Depth adjustment for hinge for wood doors:
from 0 to +3

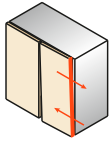


Depth adjustment for hinge for aluminum-framed doors:
from 0 to +3

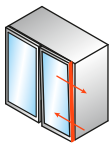


Conecta - Adjustments • Holder DQG3B

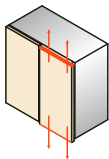
Side adjustment for hinge for
wood doors:
from -1 to +2



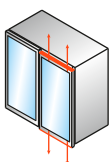
Side adjustment for hinge for
aluminum-framed doors:
from -2 to +0,5



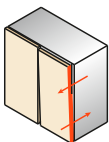
Height adjustment for hinge
for wood doors:
from -2,5 to +2,5



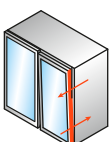
Height adjustment for hinge
for aluminum-framed doors:
from -2,5 to +2,5



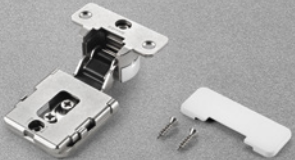
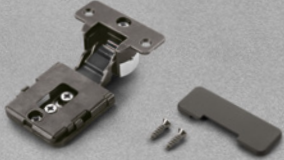


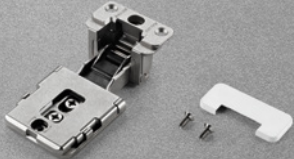
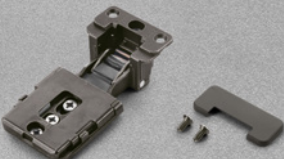
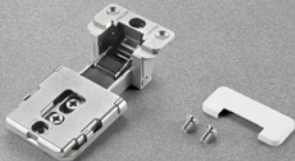
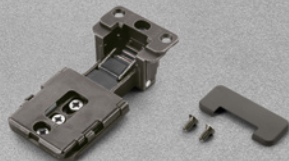


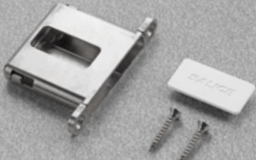
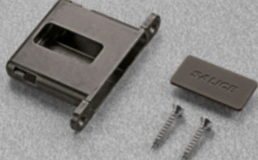
Depth adjustment for hinge
for wood doors:
from 0 to +3



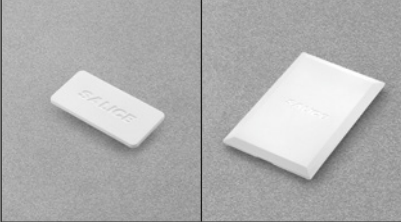
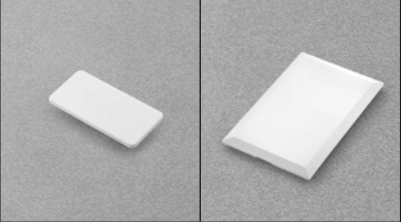
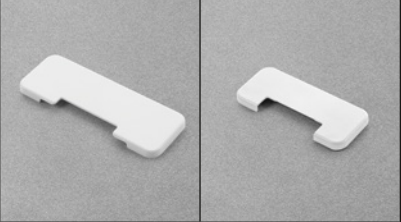
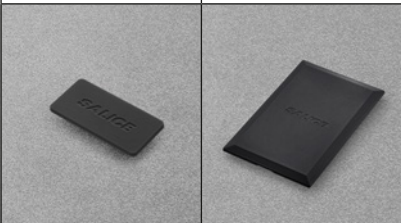
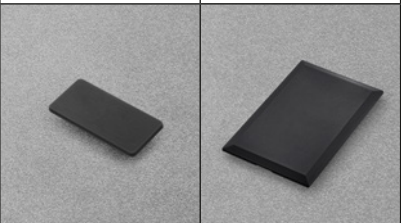
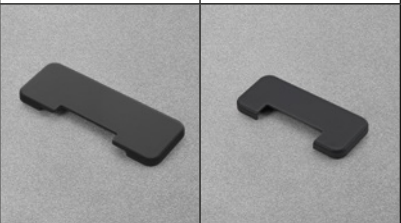
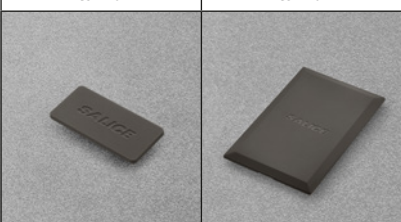
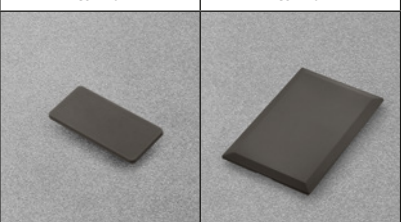
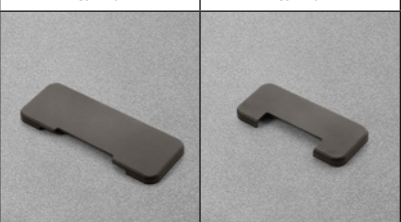
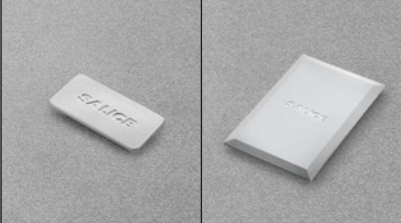
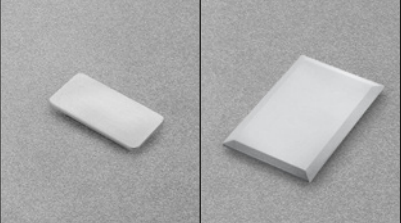
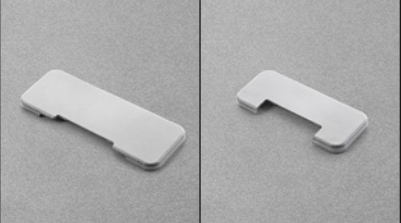
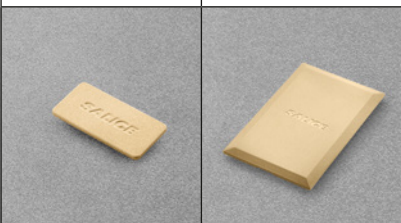
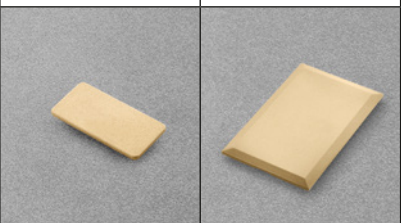
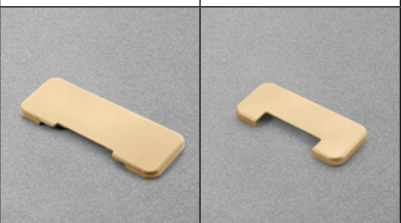
Depth adjustment for hinge
for aluminum-framed doors:
from 0 to +3




Conecta • Packaging

Hinge - Nickel-plated finish	Hinge - Titanium finish	Packaging
For wood doors • Door overlay: 12,5 mm (DQG3B)		
CQA3JE9XXV	CQA3JE6XXV	
		
For wood doors • Door overlay: 16,5 mm (DQG3B)		
CQA3KE9XXV	CQA3KE6XXV	
		
For aluminum-framed doors • Door overlay: 12,5 mm (DQG3B)		
CQZ3JE9XXV	CQZ3JE6XXV	
		
For aluminum-framed doors • Door overlay: 16,5 mm (DQG3B)		
CQZ3KE9XXV	CQZ3KE6XXV	
		
		<p>Bags 2 pcs. Boxes with 25 bags Pallets 24 boxes • Fixing screws and flange cover cap included</p>
Holder - Nickel-plated finish	Holder - Titanium finish	Packaging
DQG5BX9XS	DQG5BX6XS	
		
		<p>Bags 2 pcs. Boxes with 25 bags Pallets 24 boxes • Fixng screws and screw cover caps included</p>
Holder - Nickel-plated finish	Holder - Titanium finish	Packaging
DQG3BX9XS	DQG3BX6XS	
		
		<p>Bags 2 pcs. Boxes with 25 bags Pallets 24 boxes • Fixng screws and screw cover caps included</p>

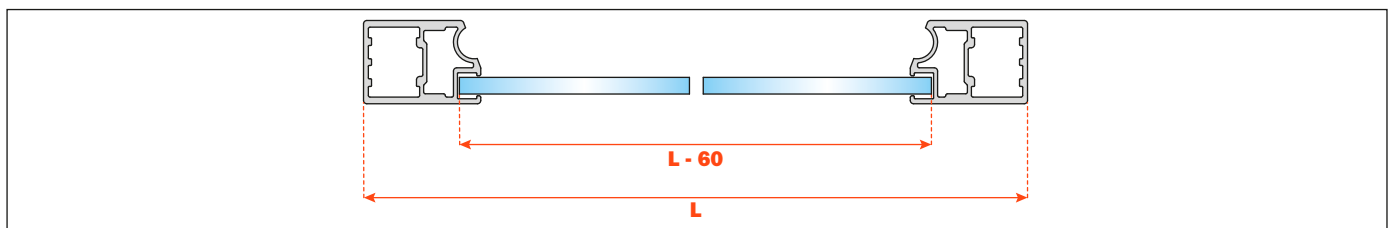
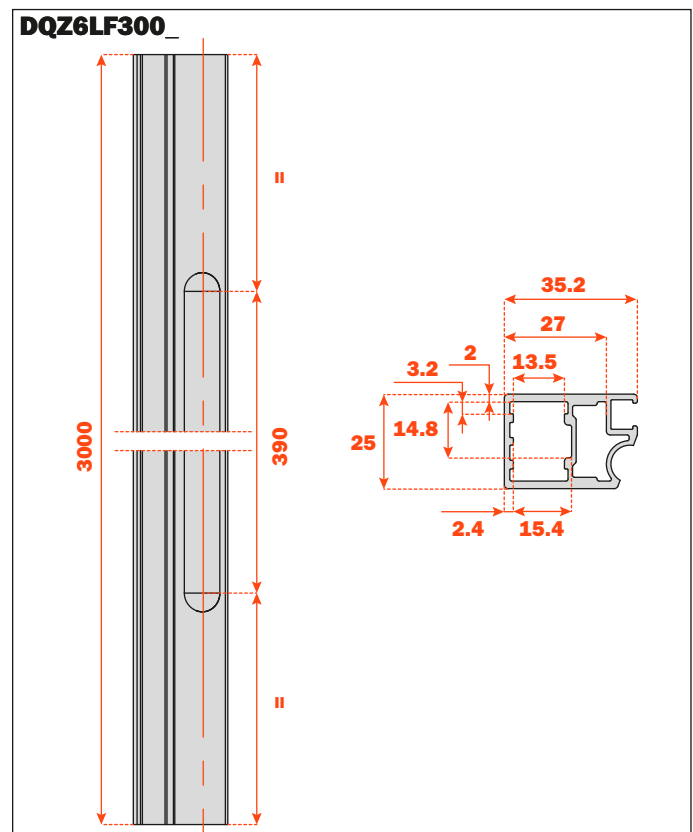
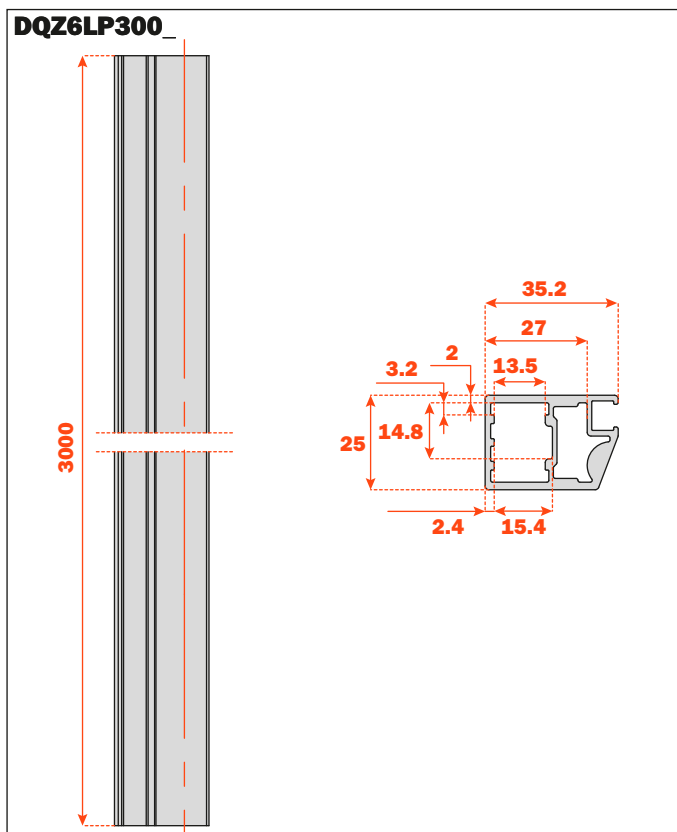
Conecta • Screw cover caps and flange cover caps

Screw cover caps with Salice printed logo Symmetrical plastic screw cover caps with Salice printed logo.		Screw cover caps Symmetrical plastic screw cover caps. They can be personalised on request with silk-screen printed logo.		Plastic flange cover caps.		Packaging
Screw cover caps DQG3B	Screw cover caps DQG5B	Screw cover caps DQG3B	Screw cover caps DQG5B	Flange cover caps Hinge for wood doors	Flange cover caps Hinge for aluminum-framed doors	
PQFXAA1SN White	PQF5AA1SN White	PQFXAA1 White	PQF5AA1 White	PQSAAA1 White	PQSZAA1 White	Boxes 100 pcs. • Large Boxes 600 pcs.
						
PQFXAA3SN Black	PQF5AA3SN Black	PQFXAA3 Black	PQF5AA3 Black	PQSAAA3 Black	PQSZAA3 Black	
						Boxes 100 pcs. • Large Boxes 600 pcs.
PQFXAA6SN Titanium	PQF5AA6SN Titanium	PQFXAA6 Titanium	PQF5AA6 Titanium	PQSAAA6 Titanium	PQSZAA6 Titanium	
						
PQFXAA9SN Satin Chrome	PQF5AA9SN Satin Chrome	PQFXAA9 Satin Chrome	PQF5AA9 Satin Chrome	PQSAAA9 Satin Chrome	PQSZAA9 Satin Chrome	Boxes 100 pcs. • Large Boxes 600 pcs.
						
PQFXAAWSN Satin Gold	PQF5AAWSN Satin Gold	PQFXAAW Satin Gold	PQF5AAW Satin Gold	PQSAAAW Satin Gold	PQSZAAW Satin Gold	
						Boxes 100 pcs. • Large Boxes 600 pcs.

Conecta • Accessories

<p>Steel corner connectors for the aluminum door profile assembly</p>	<p>Part number</p>	<p>Packaging</p>	
	<p>DQZ3HS5V04</p>	<p>Boxes with 25 bags 1 bag contains: 4 corner connectors and assembly screws (nickel-plated and titanium finish)</p>	
<p>Die-cast corner connectors for the aluminum door profile assembly</p>	<p>Part number</p>	<p>Packaging</p>	
	<p>DEL6BSFV02</p>	<p>Boxes with 25 bags 1 bag contains: 4 corner connectors and assembly screws (nickel-plated and titanium finish)</p>	
<p>Gasket for glass</p>	<p>Part number</p>	<p>Packaging</p>	<p>Length</p>
	<p>DQZ6AG3000T</p>	<p>100 units</p>	<p>3 metres</p>

Aluminum door profile for glass insertion (4 mm)	Part number	Packaging	Length
	DQZ6LP300P	10 anodized aluminum profiles	3 metres
	DQZ6LP300T	10 Titanium finish profiles	
	DQZ6LF300P	10 anodized aluminum profiles with handle	
	DQZ6LF300T	10 Titanium finish profiles with handle	



SALICE AMERICA INC.

2123 CROWN CENTRE DRIVE
CHARLOTTE NC. 28227
TEL. 704 841 7810
FAX. 704 841 7808
info.salice@saliceamerica.com
www.saliceamerica.com

SALICE CANADA INC.

3500 RIDGEWAY DRIVE, UNIT#1
MISSISSAUGA, ONTARIO, L5L 0B4
TEL. 905 820 8787
FAX. 905 820 7226
info.salice@salicecanada.com
www.salicecanada.com



Digital contents