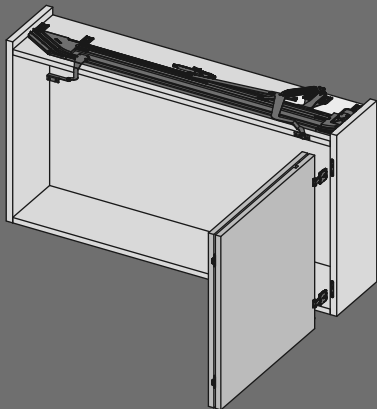




# Folder 180

Top - Right

***SALICE***



**ENGLISH**

**Right-hand 180° opening door** - Assembly instructions

**Warning**

For professional use only.

Read the assembly instructions carefully before installation, and give this safety data sheet to the end user of the cabinet.

Ensure that the load-bearing capacity of the cabinet is suitable for the type of hardware to be installed. The cabinet must have a sufficiently rigid and stable structure to prevent collapse or breakage during assembly and use.

Wear suitable personal protective equipment during assembly operations.

Do not attempt to work on the mechanism without prior training.

Warning: spring-action mechanism may produce sudden, uncontrolled movement.

If you have any doubts or needs during installation, please contact technical assistance.

## Folder 180 • TOP - Double hinged door • 180° opening

### System for concertina doors

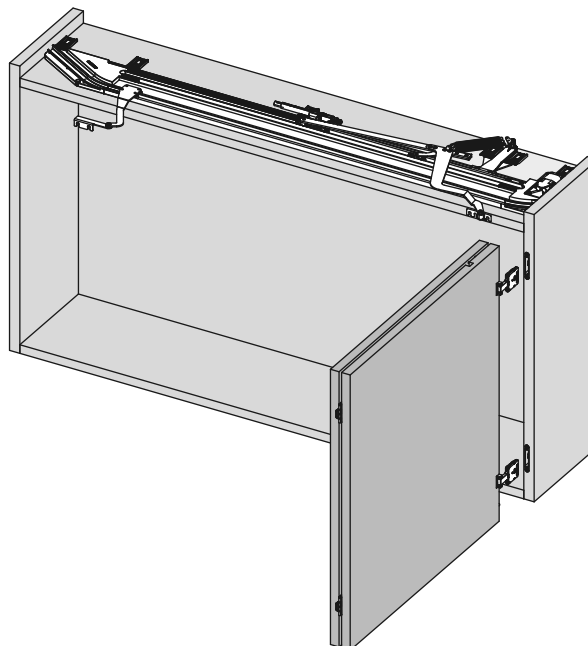
- Maximum opening 180° adjustable up to 170°
- Automatic opening and closing action controlled by silicon oil dampers and by a magnetic damper for a smooth and gently decelerated movement
- Fixing of the doors to the cabinet side with external SERIES M hinges or with recessed CONECTA hinges

### TOP version

- The track can be assembled on the top of the cabinet for column units, wardrobes and wall units.
- Adjustment of door opening and closing speed
- Doors fully adjustable in three directions

### Technical information

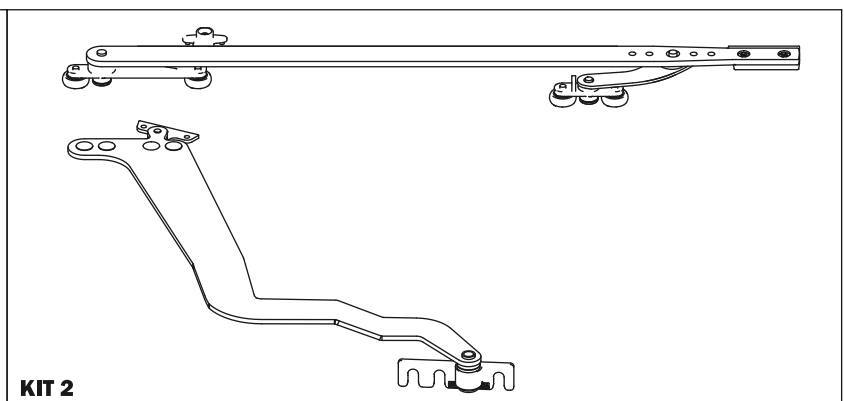
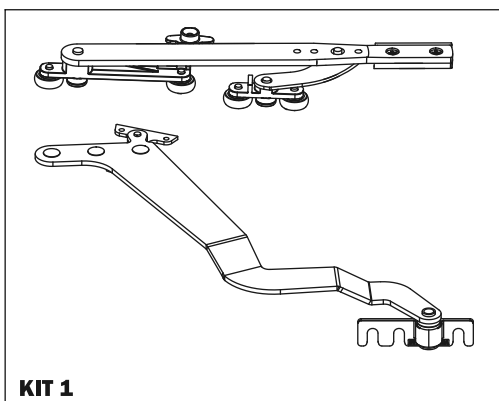
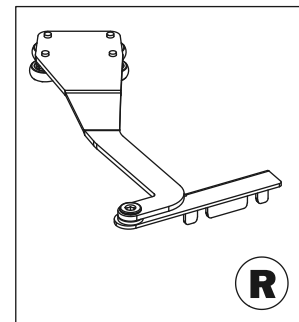
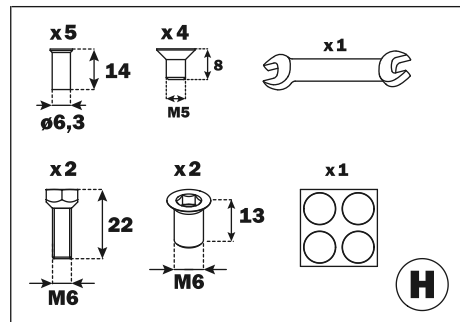
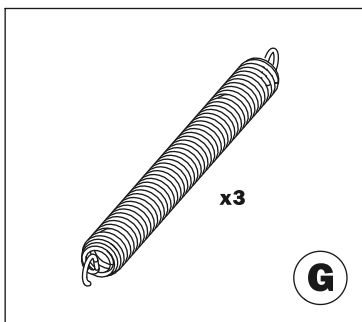
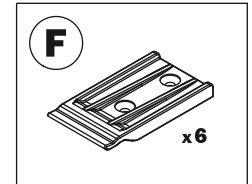
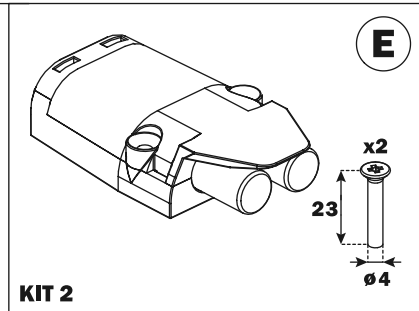
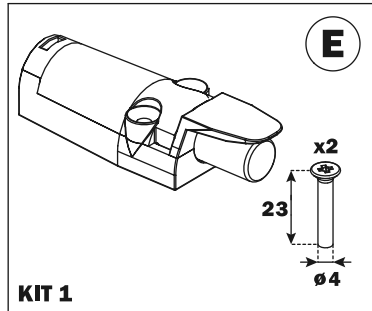
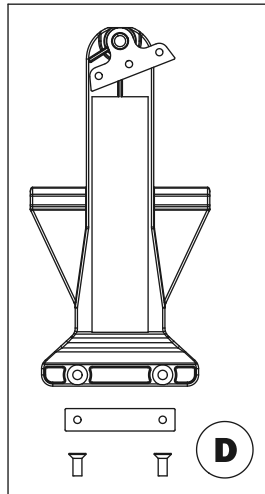
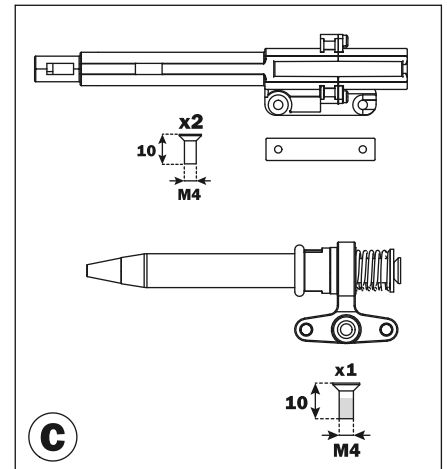
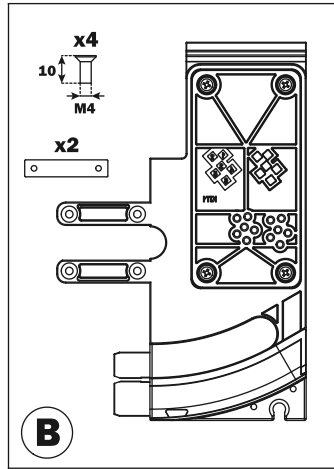
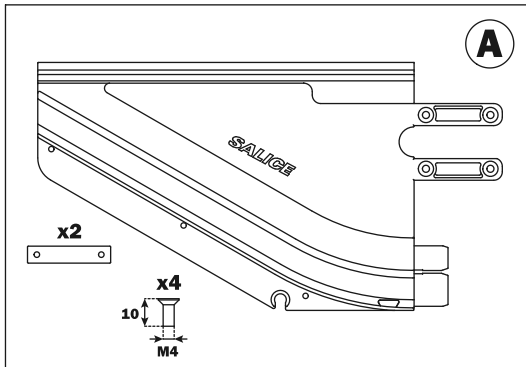
- Thickness of wooden door with SERIES M hinges:  
from 18 mm to 24 mm
- Thickness of wooden door with CONECTA hinges:  
from 18 mm to 25 mm
- Thickness of wooden door with profile VE79KITE710\_A with CONECTA hinges:  
from 22 mm to 25 mm
- Width of each single wooden door:  
from 350 mm to 750 mm
- Width of each single aluminium-framed door:  
from 350 mm to 600 mm
- Door height:
  - Minimum 600 mm
  - Maximum 2800 mm
- Formula for minimum door height  
 $HA \text{ Min.} = (4 \times TL) / 3$   
Example:  
TL = 600  
HA Min. = 800
- Cabinet depth  $\geq 320$  mm
- Side thickness with recessed CONECTA hinges  $\geq 19$  mm



**HA = Door height**  
**TL = Door width**

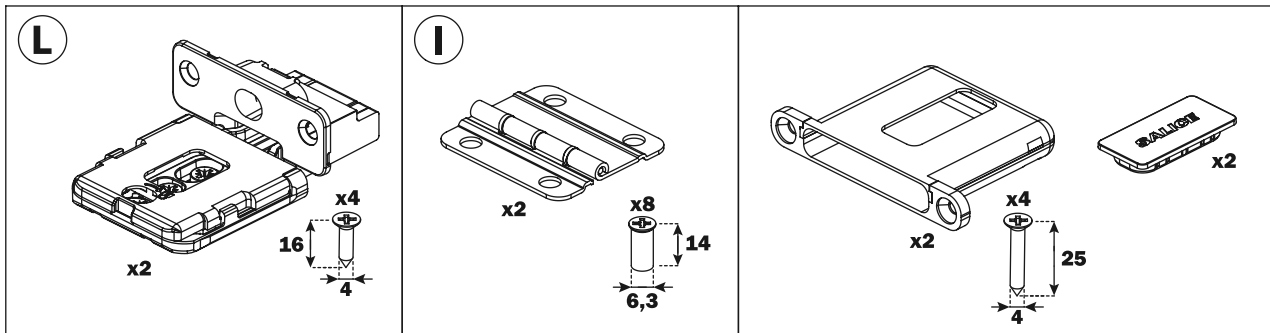
**Folder 180 • TOP - Right-hand opening door**

**Items in the mechanism kit package**

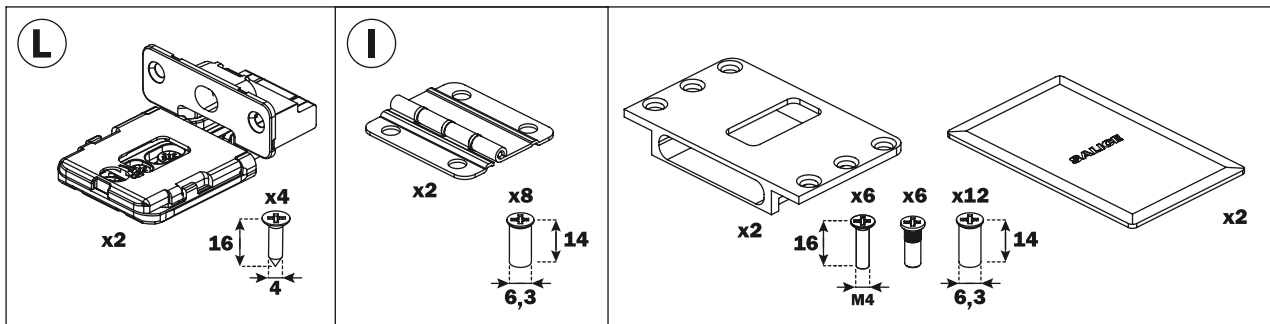


## Hinges kit

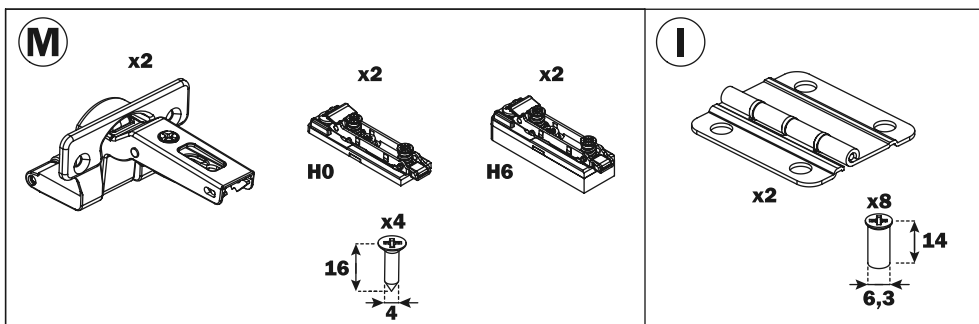
### Conecta hinges kit - DQG3B holder recessed



### Conecta hinges kit - DQG5B holder external

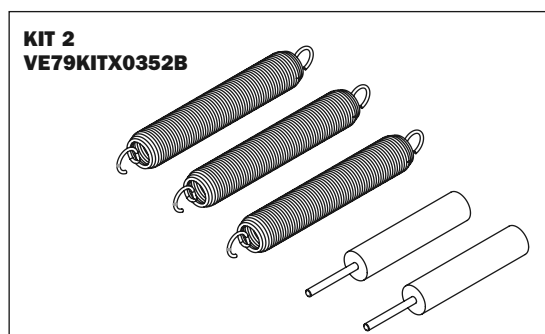
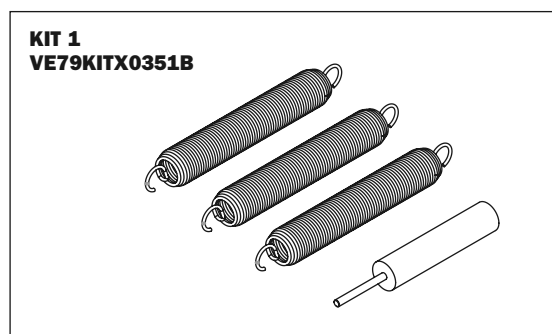


## Series M hinges kit



## Optional

### Set for light doors (see tables on page 7)

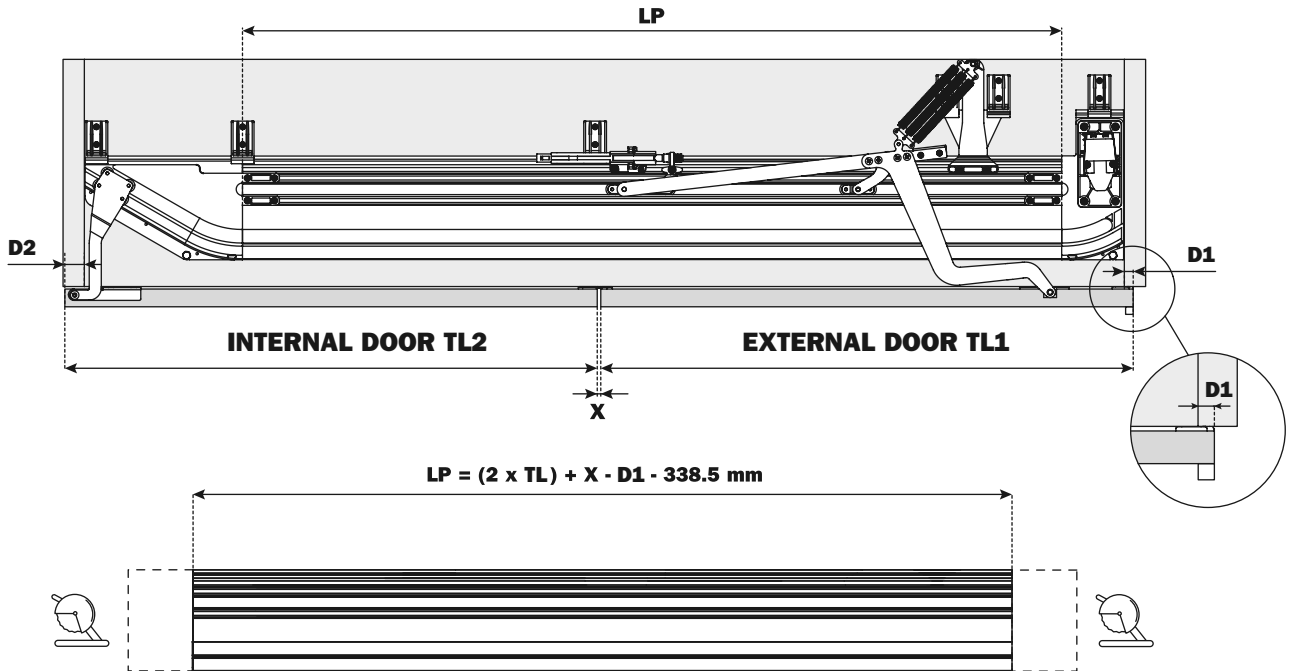




**Folder 180 • TOP - Double hinged door**

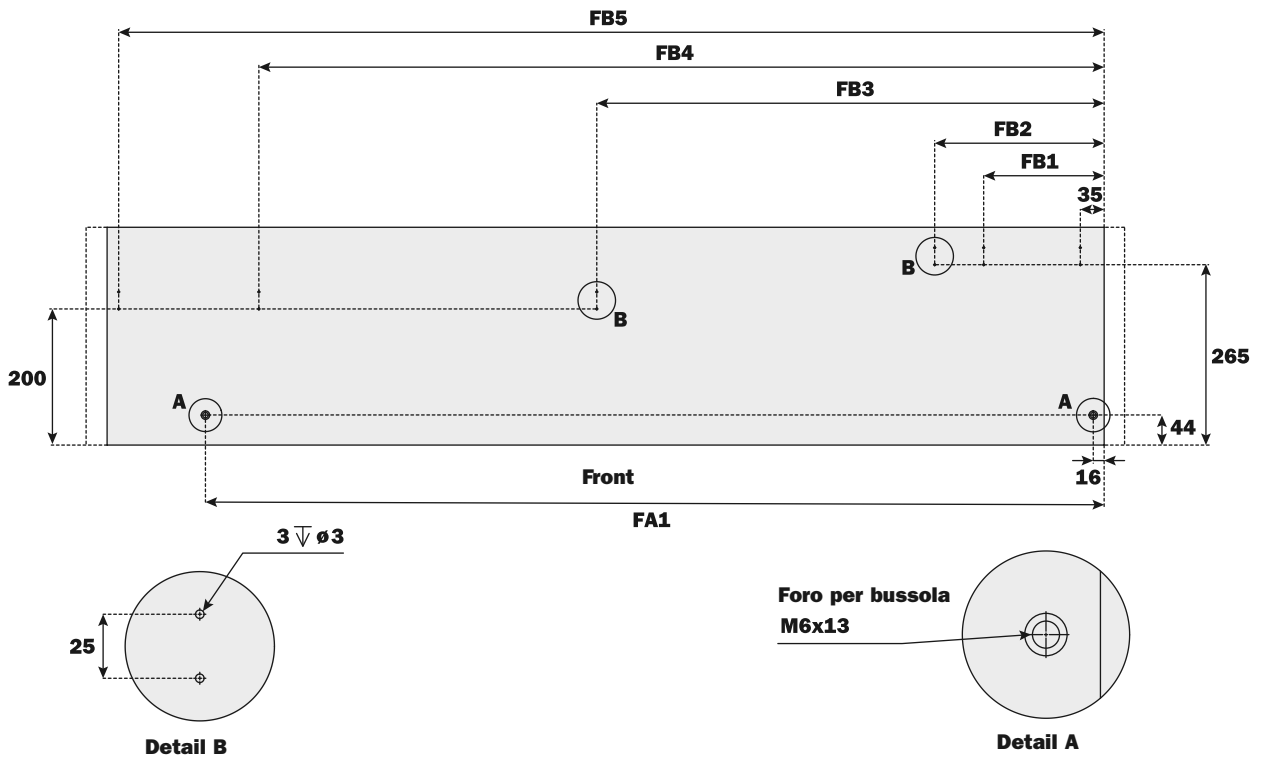
**Formula to determine the length of the profile to be cut**

**LP = (2 x TL) + X - D1 - 338.5 mm**



- LP = Profile length**
- TL = Door width**
- X = Reveal between doors**
- D1 = External door overlay on side**
- D2 = Internal door overlay on side**

**Holes on the top of the cabinet**



	<b>FB1</b>	<b>FB2</b>	<b>FB3</b>	<b>FB4</b>	<b>FB5</b>	<b>FA1</b>
<b>KIT 1</b>	151	223	(LP/2) + 156	LP + 88	LP + 294	LP + 166.5
<b>KIT 2</b>	177	249	(LP/2) + 169	LP + 88	LP + 294	LP + 166.5

## Folder 180 • TOP

Tables to determine the number of hinges per single mechanism

### KIT 1

2 x DOOR WIDTH TL (mm)	DOOR HEIGHT HA (mm)	MAX. WEIGHT FOR TWO DOORS (Kg)	NUMBER OF HINGES	SET FOR LIGHT DOORS VE79KITX0351B
<b>KIT 1 = 700 - 1000</b>  With wooden doors and aluminium doors*	600 - 800	10	2	SI
	801 - 1200	16	3	SI
	1201 - 1600	24	4	SI
	1601 - 2000	30	4	NO
		40	5	NO
	2001 - 2400	35	4	NO
		45	5	NO
	2401 - 2800	40	4	NO
		50	5	NO

### KIT 2

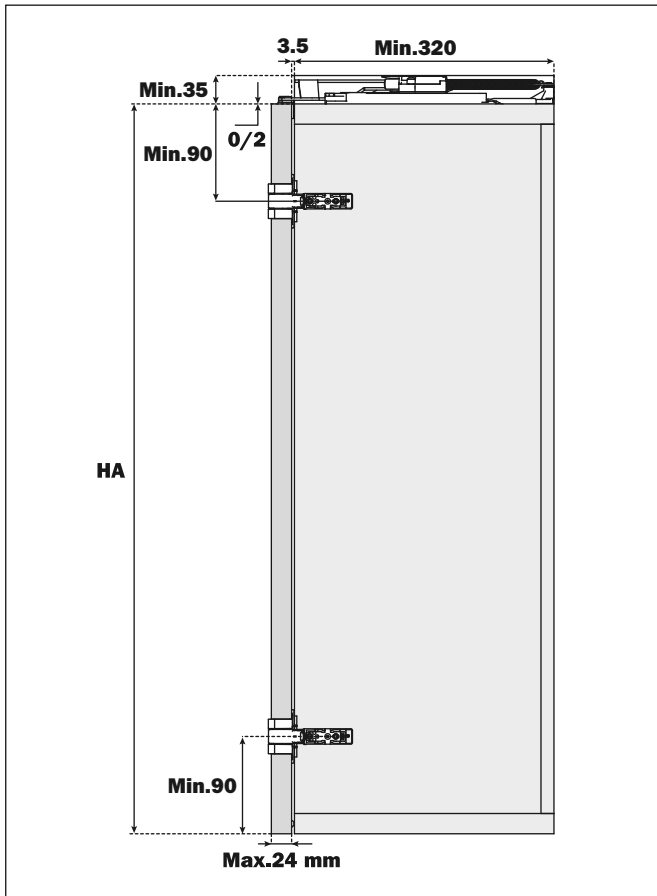
2 x DOOR WIDTH TL (mm)	DOOR HEIGHT HA (mm)	MAX. WEIGHT FOR TWO DOORS (Kg)	NUMBER OF HINGES	SET FOR LIGHT DOORS VE79KITX0352B
<b>KIT 2 = 1001 - 1500</b>  With wooden doors	700 - 800	10	2	SI
	801 - 1200	16	3	SI
	1201 - 1600	24	4	SI
	1601 - 2000	30	5	NO
		40	6	NO
<b>KIT 2 = 1001 - 1200</b>  With aluminium doors*	2001 - 2400	35	5	NO
		45	6	NO
	2401 - 2800	40	5	NO
		50	6	NO

\* M-series hinges not compatible with wooden doors with aluminium profiles VE79KITE710\_A and with aluminium-framed doors

- VE79KITE700SA
- VE79KITE700TA
- VE79KITE300NB
- VE79KITE300TB
- VE79KITE710SA
- VE79KITE710TA

**Folder 180 • TOP - SERIES M HINGES**

**Space required to accommodate the system and position of the SERIES M HINGES**



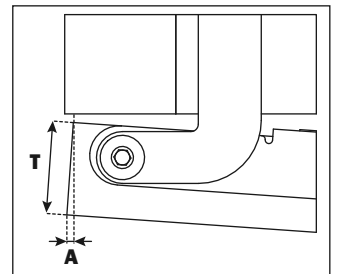
**D1 = Door overlay on side hinged side**

**D1 = 18 with mounting plate H = 0**

**D1 = 12 with mounting plate H = 6**

**HA = Door height**

Reveal required for the opening of the INTERNAL door TL2 for wooden door

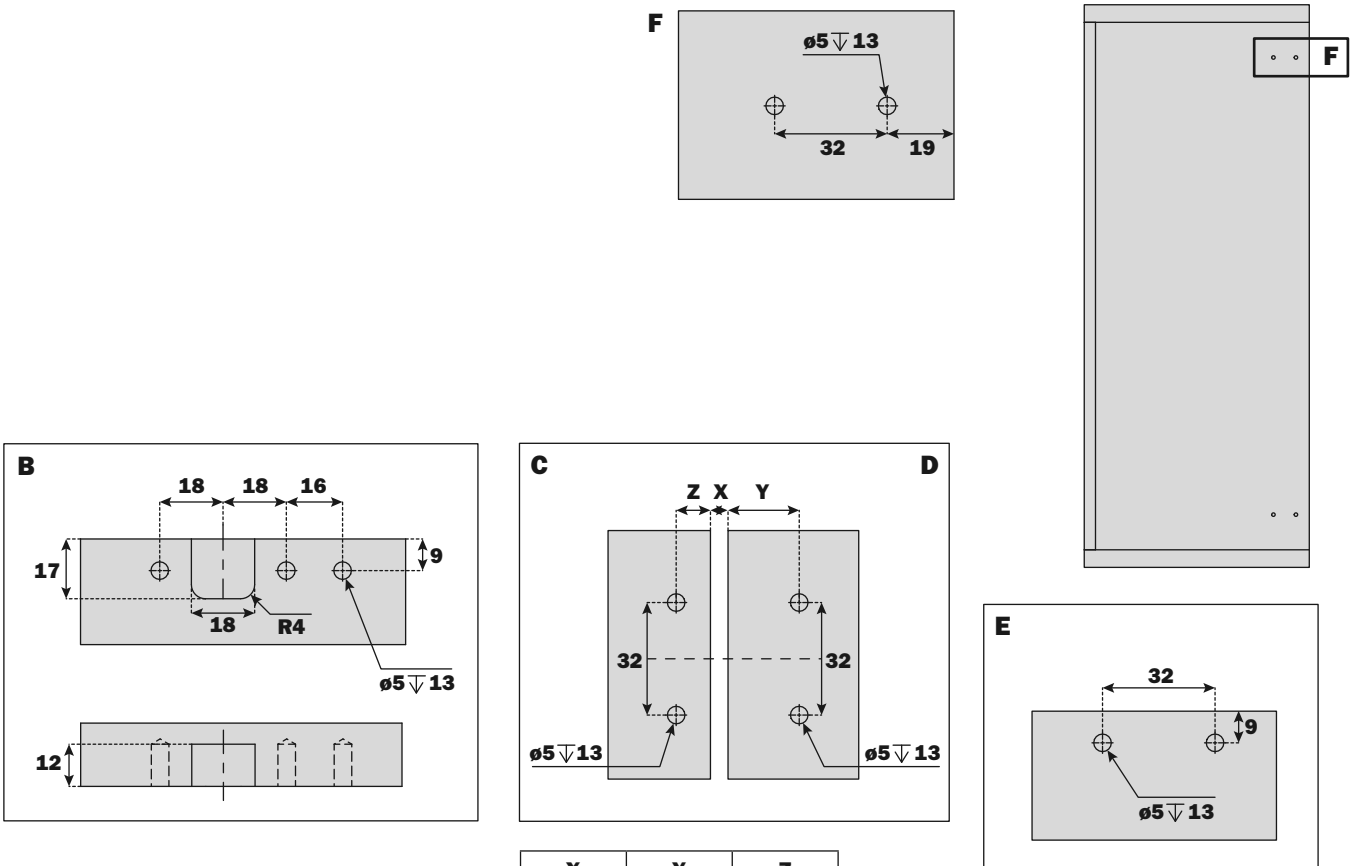


Door thickness <b>T</b>	Space needed to open the door <b>A</b>
18 mm	1.7 mm
24 mm	2.3 mm

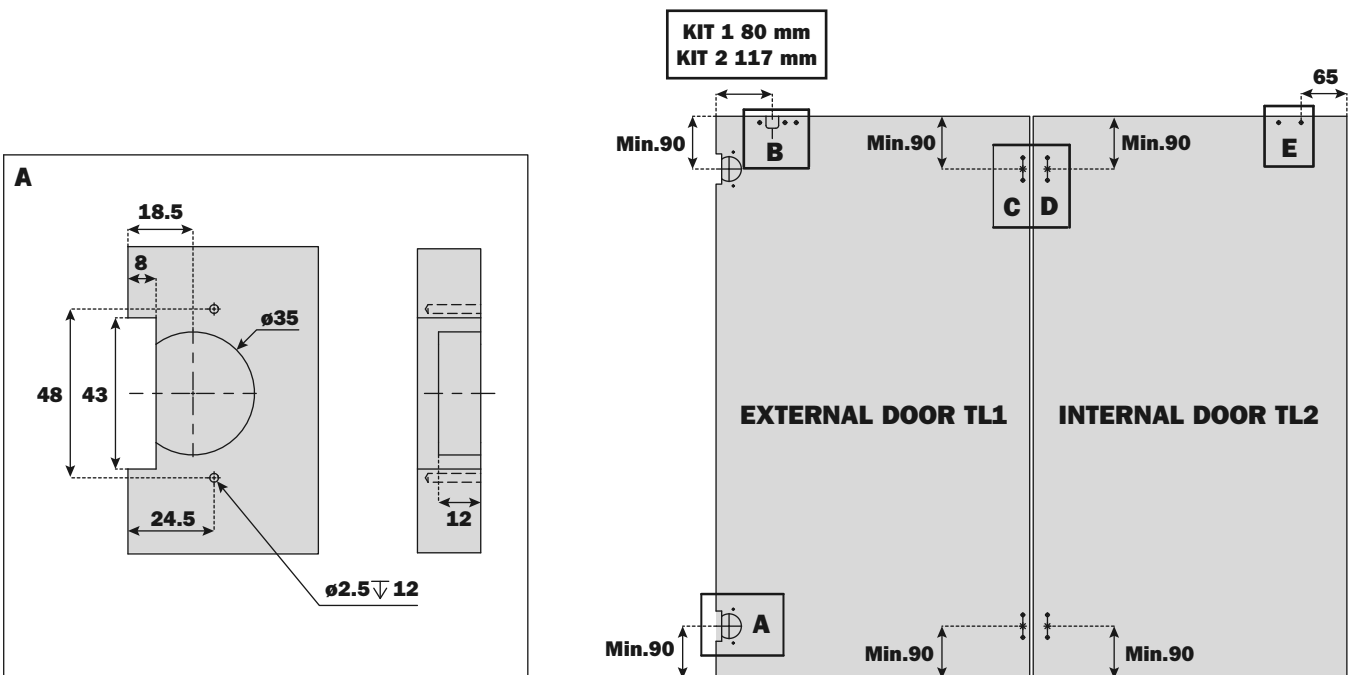


# Folder 180 • TOP - SERIES M HINGES

Workings on wooden doors and sides with SERIES M HINGES



X	Y	Z
3	20.75	10.25
4	20.25	9.75
5	19.75	9.25

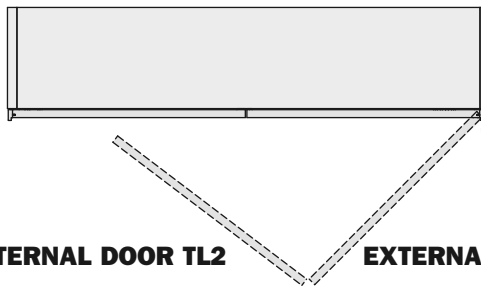
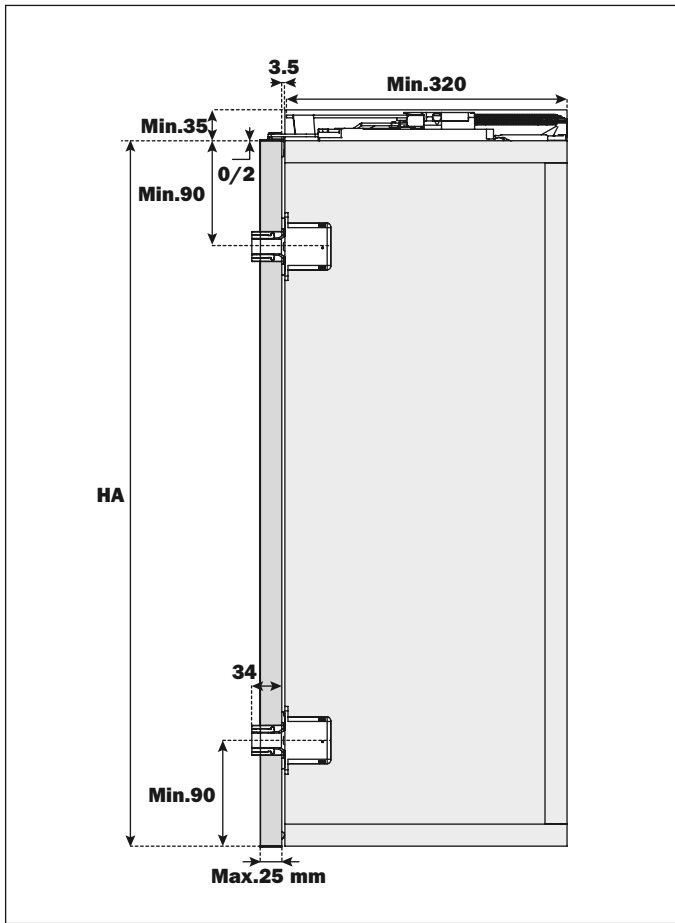


KIT 1 80 mm  
KIT 2 117 mm

**Folder 180 • TOP - CONECTA HINGES**

**Space required to accommodate the system and position of the CONECTA HINGES**

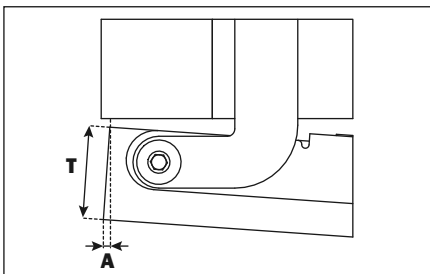
**HA = Door height**



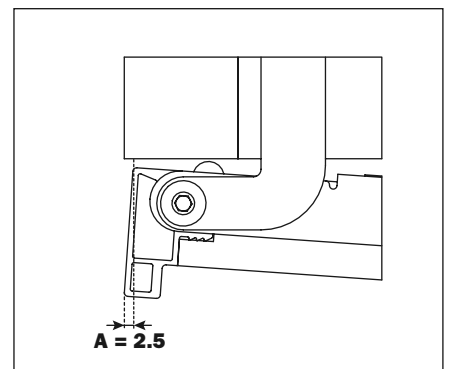
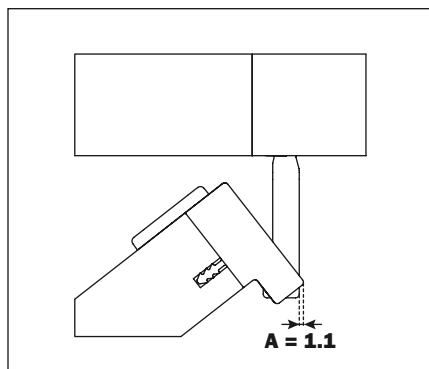
Reveal required for the opening of INTERNAL door TL2 for wooden door

Reveal required for the opening of EXTERNAL door TL1 for wooden door with profile VE79KITE710\_A and glass door with aluminium profile VE79KITE700\_A

Reveal required for the opening of INTERNAL door TL2 for wooden door with profile VE79KITE710\_A and glass door with aluminium profile VE79KITE700\_A



Door thickness <b>T</b>	Space needed to open the door <b>A</b>
18 mm	1.7 mm
25 mm	2.3 mm



# Folder 180 • TOP - CONECTA HINGES

## Workings on cabinet side with CONECTA HINGES

### Holder DQG5B

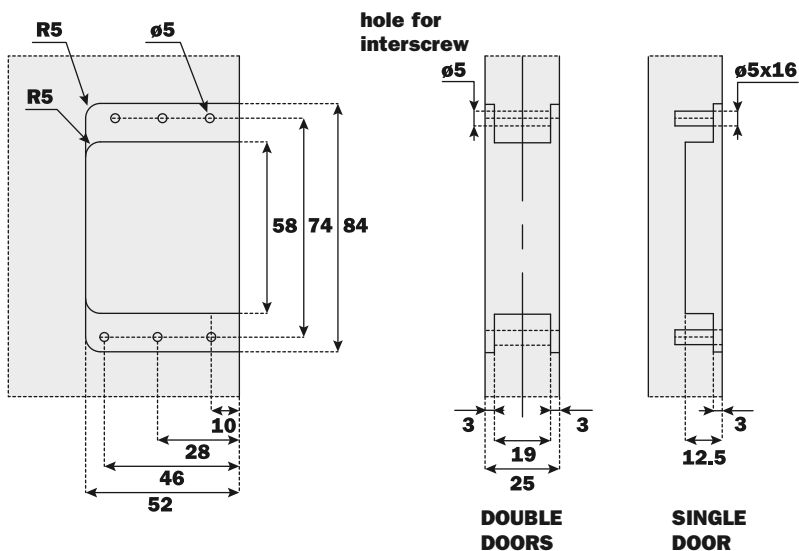


- For single door
- For double doors and side thickness 25 mm

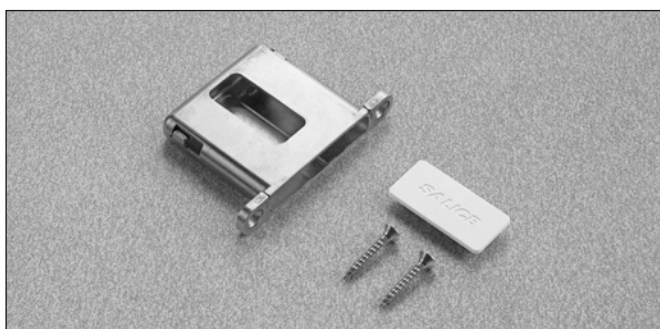
To be screw-fixed on the cabinet side:

- For single door with Euro screws, drilling  $\varnothing 5 \times 16$  mm
- For double doors with  $\varnothing 5$  mm interscrews
- Fixing screws and cover caps included in the single packing
- Fixing screws included in the industrial packing

- Door overlay on side hinged side **D1 = 10 mm**



### Holder DQG3B

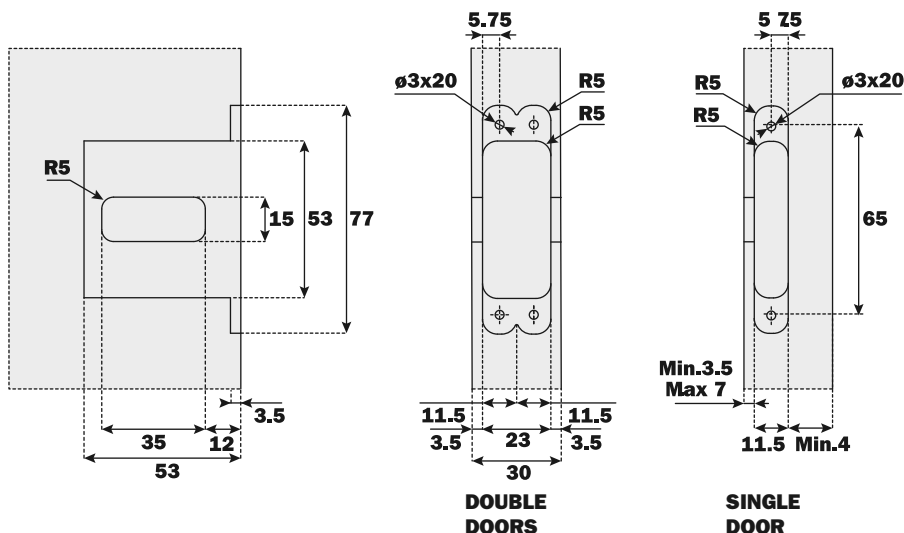


- For single door
- For double doors and side thickness 30 mm

To be screw-fixed to the cabinet side:

- For single door and for double doors with screws  $\varnothing 4 \times 25$  mm
- Fixing screws and cover caps included in the single packing
- Fixing screws included in the industrial packing

- Door overlay on side hinged side **D1 = vedere tabella**



**Overlay D1 with single door**

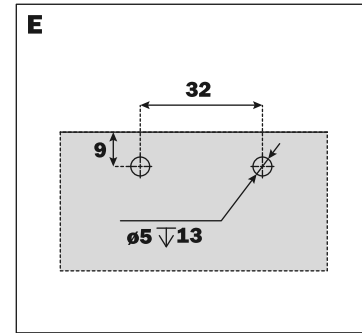
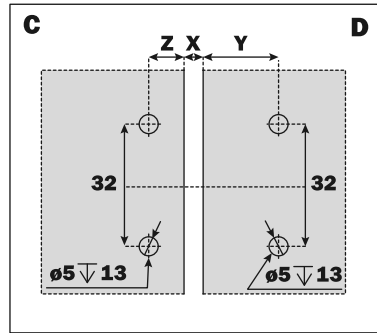
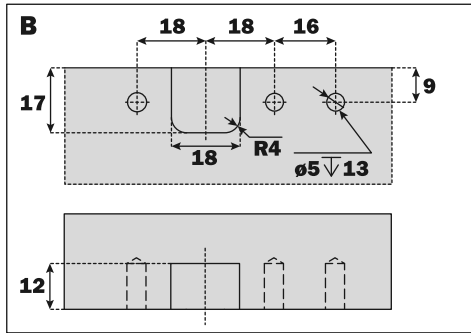
Workings position	Overlay <b>D1</b>	Side thickness Min.
3.5 mm	12.5 mm	19 mm
4.5 mm	13.5 mm	20 mm
5.5 mm	14.5 mm	21 mm
6.5 mm	15.5 mm	22 mm
7 mm Max.	16 mm	22.5 mm

## Folder 180 • TOP - CONECTA HINGES

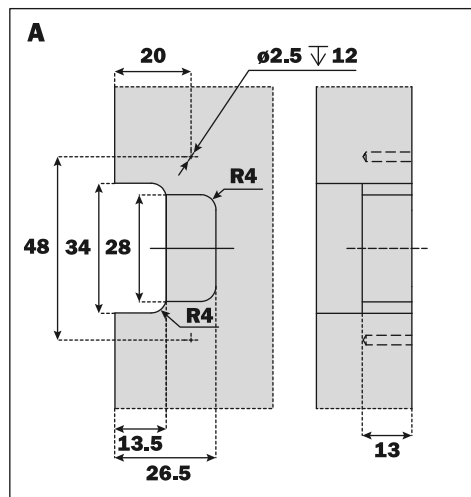
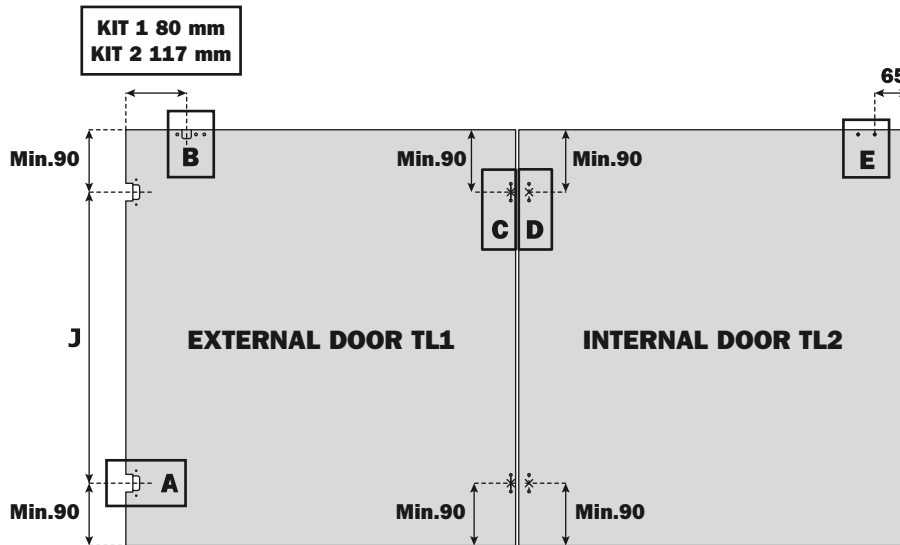
Workings on wooden doors without aluminium profile VE79KITE710\_A with CONECTA HINGES

Drillings for right-hand opening system.

If more than two hinges are needed, distribute workings A, C and D equally in size J.



X	Y	Z
3	20.75	10.25
4	20.25	9.75
5	19.75	9.25

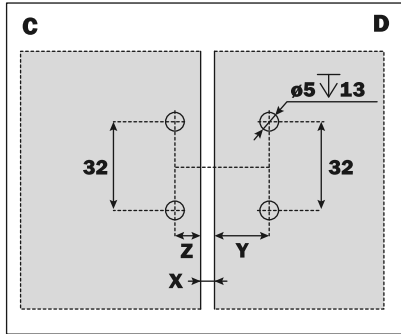
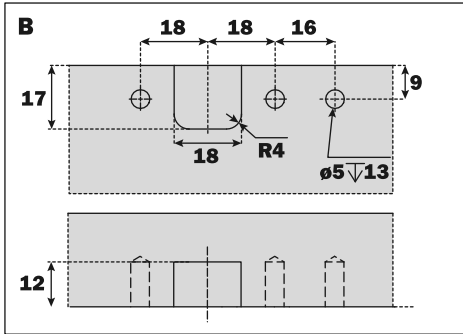


# Folder 180 • TOP - CONECTA HINGES

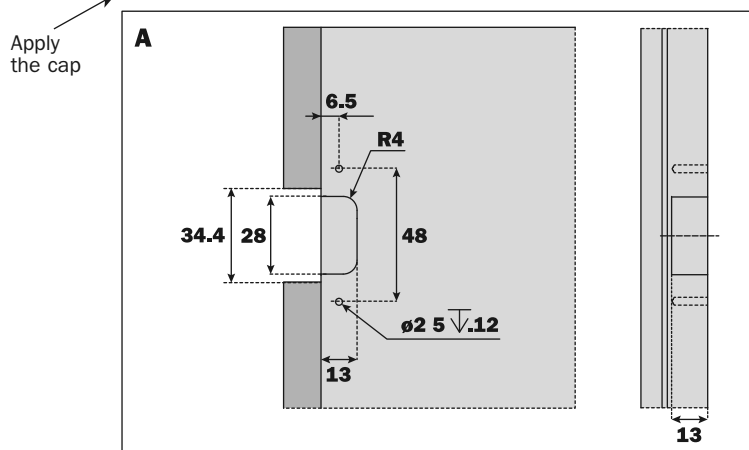
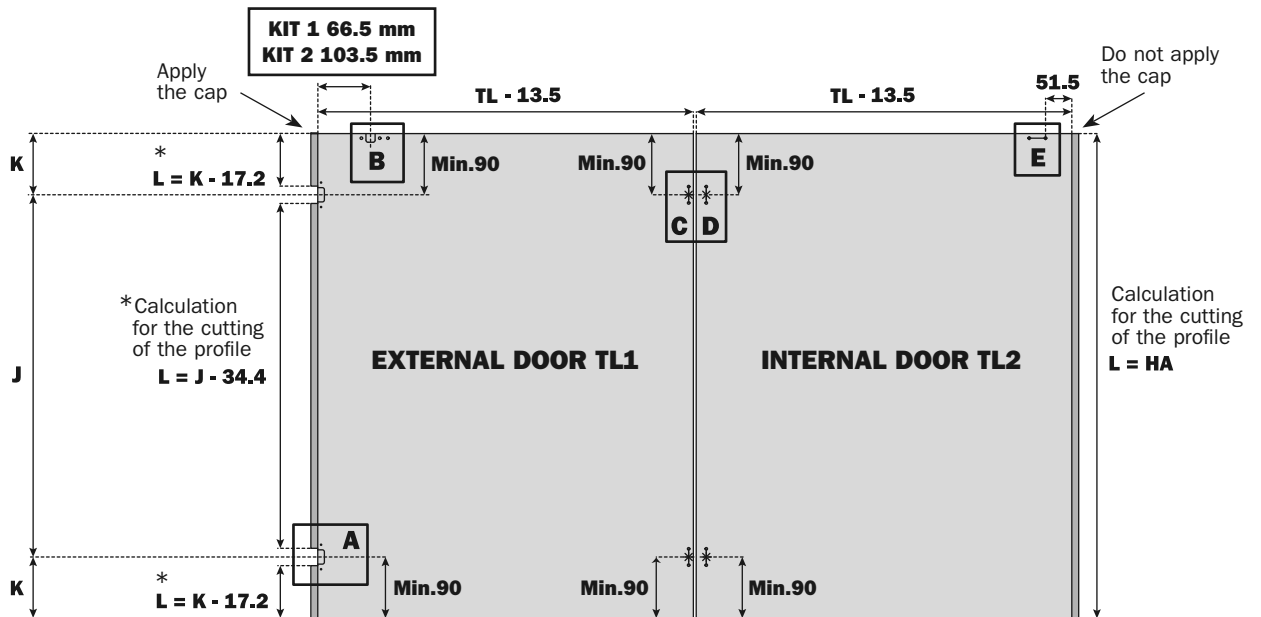
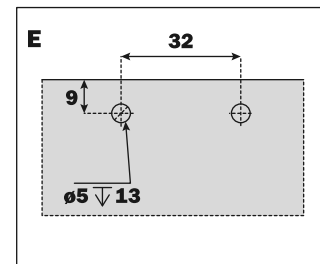
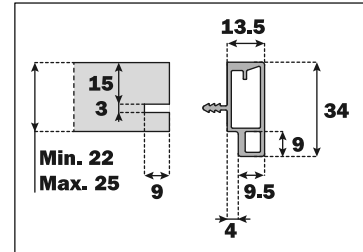
## Workings on wooden doors with aluminium profile VE79KITE710\_A with CONECTA HINGES

Drillings for right-hand opening system.

If more than two hinges are needed, distribute workings A, C and D equally in size J.



X	Y	Z
3	20.75	10.25
4	20.25	9.75
5	19.75	9.25

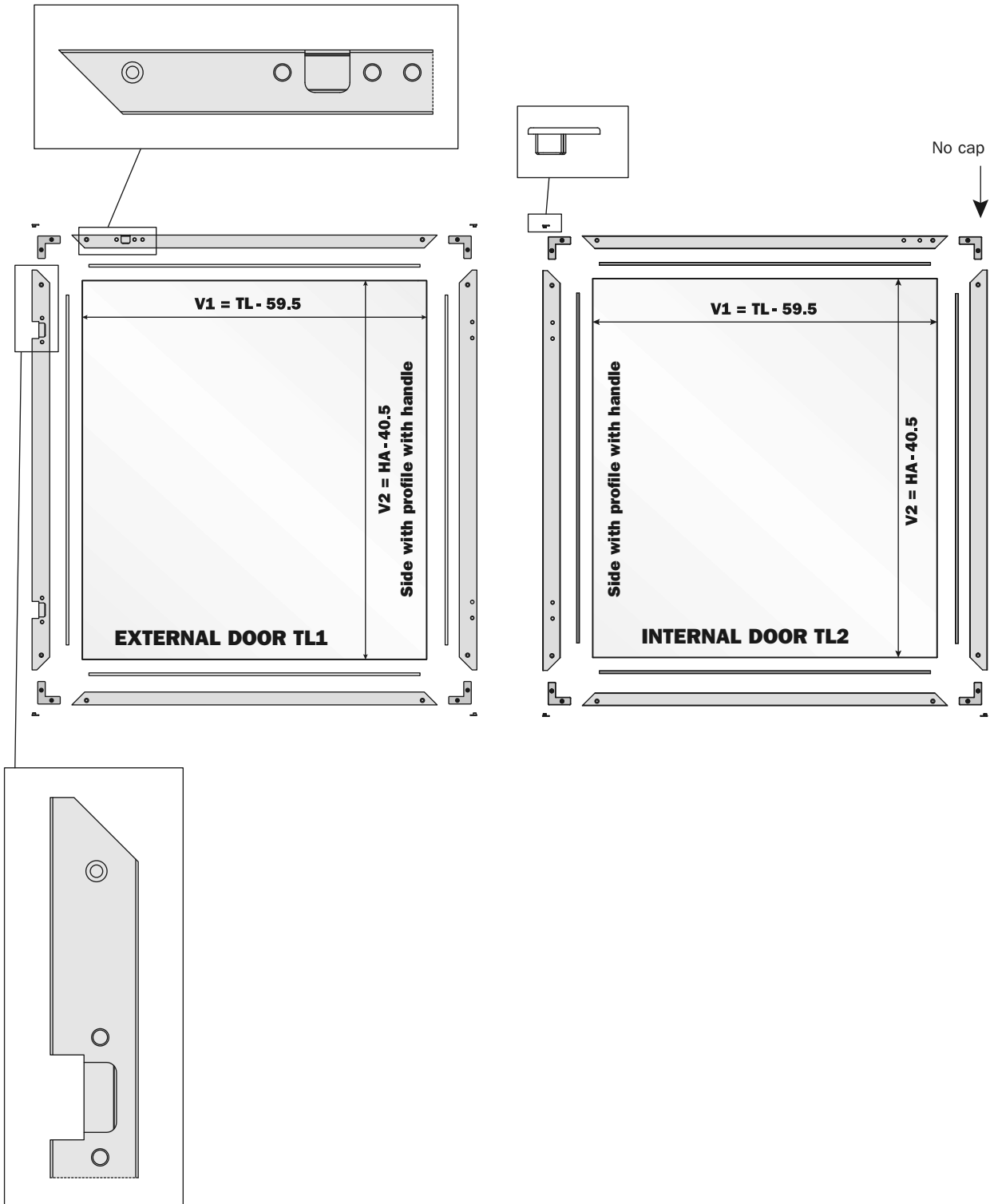




## Folder 180 • TOP - CONECTA HINGES

### Assembly of aluminium-framed doors

For the assembly sequence of aluminium-framed doors, see the DOOR WORKING SPECIFICATIONS manual included in the package.



### Glass sizing

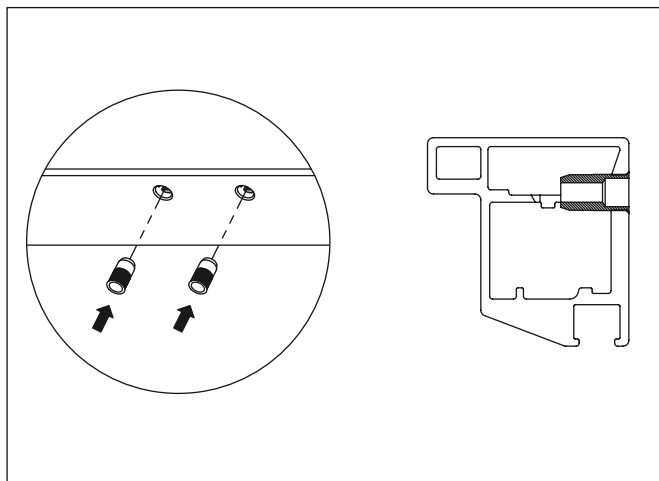
**V1 = Glass width**  
**V2 = Glass height**

**TL = Door width**  
**HA = Door height**

## Tightening of threaded bushes for M4 metric screws before fixing the hinges

### Insertion of threaded bushes

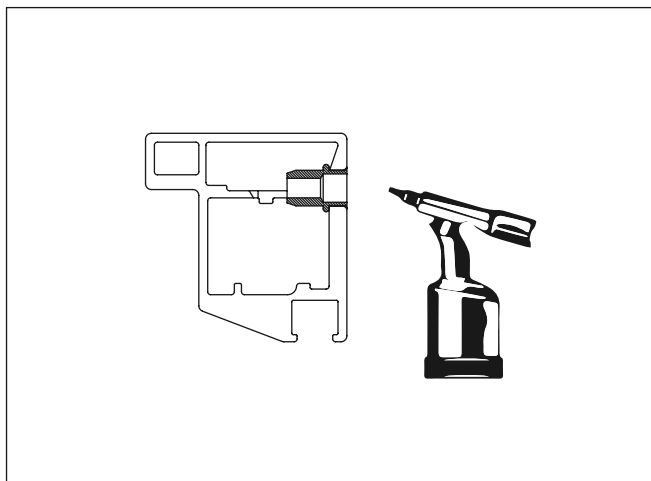
Insert the threaded bushes in the appropriate place



Fasten the threaded bushes to the frame using a riveting tool.

Check the tightness of the threaded bushes before fixing the hinges to the frame.

Remove and replace any threaded bushes not properly secured.

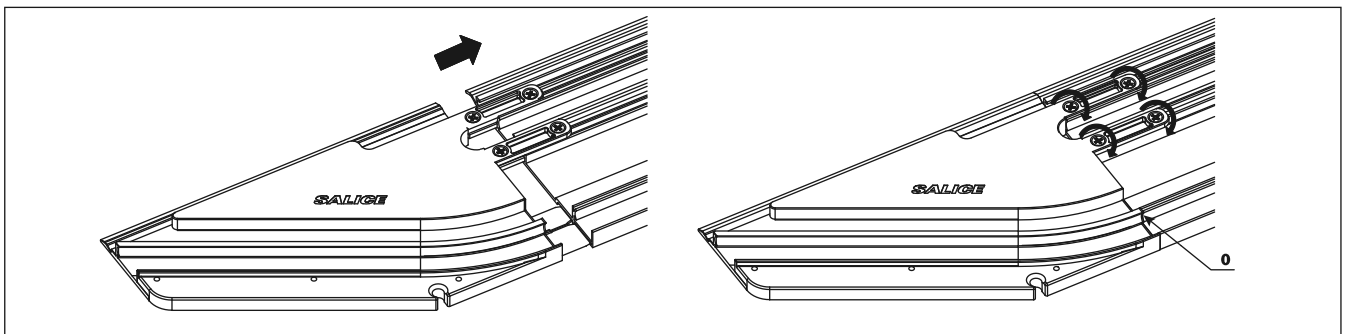
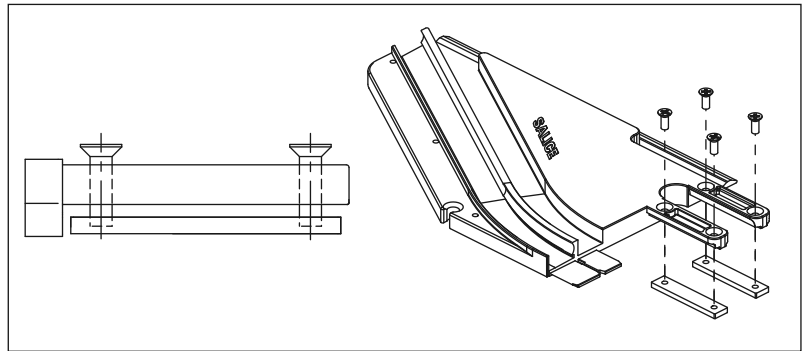
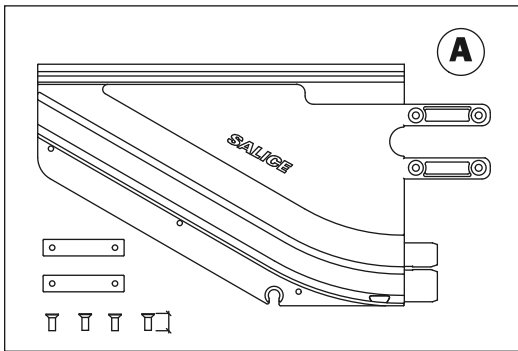




## Folder 180 • TOP - Preparation of system

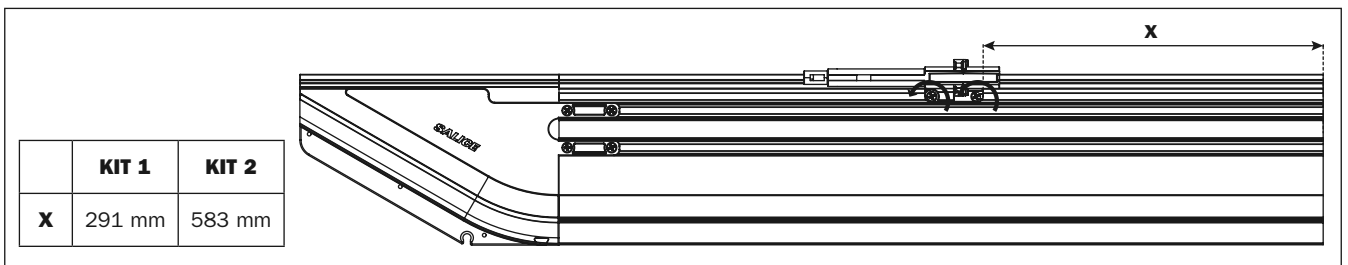
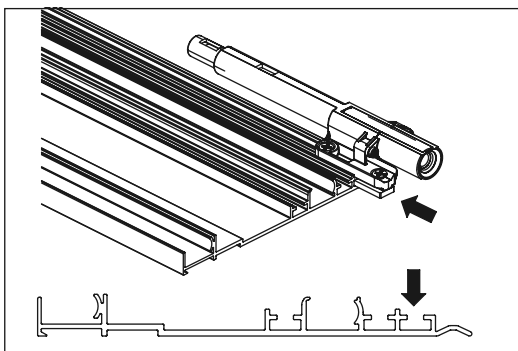
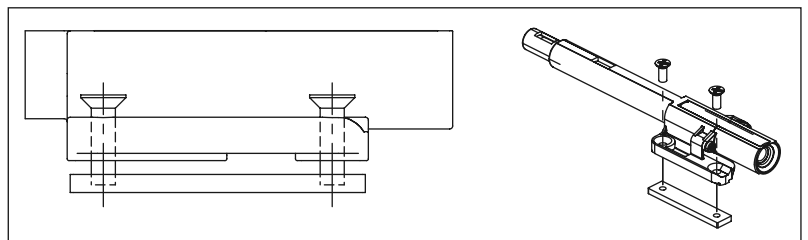
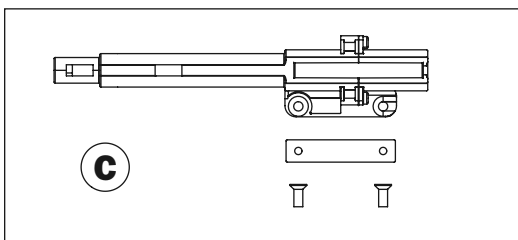
### INTERNAL terminal

#### BAG A



### Prepare the central components of the system

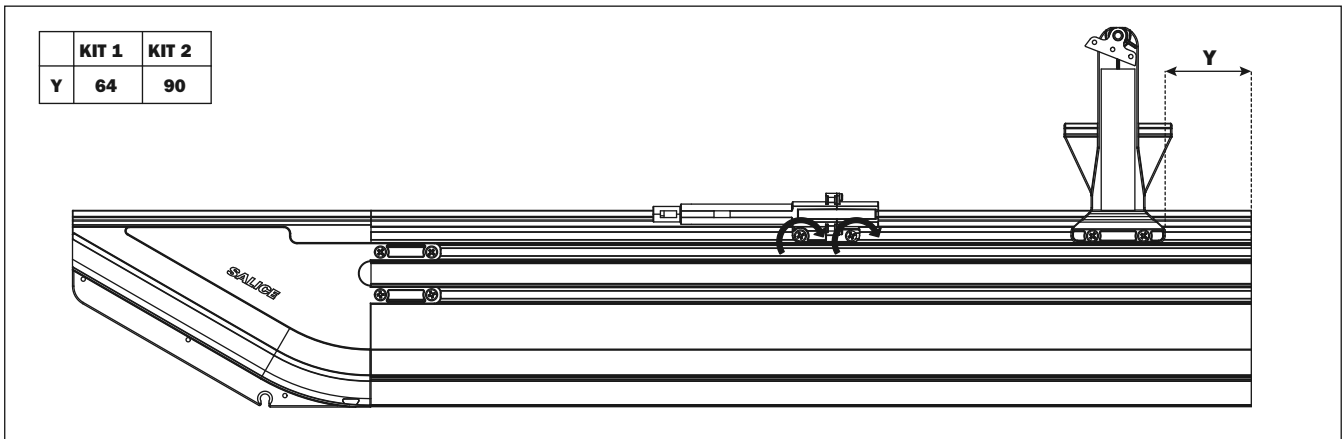
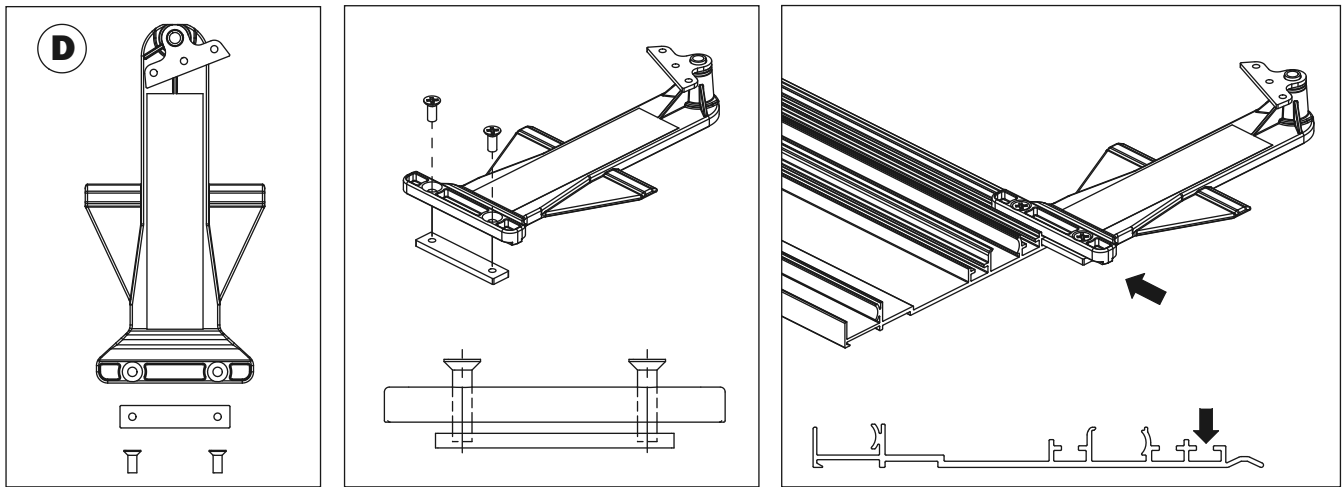
#### BAG C





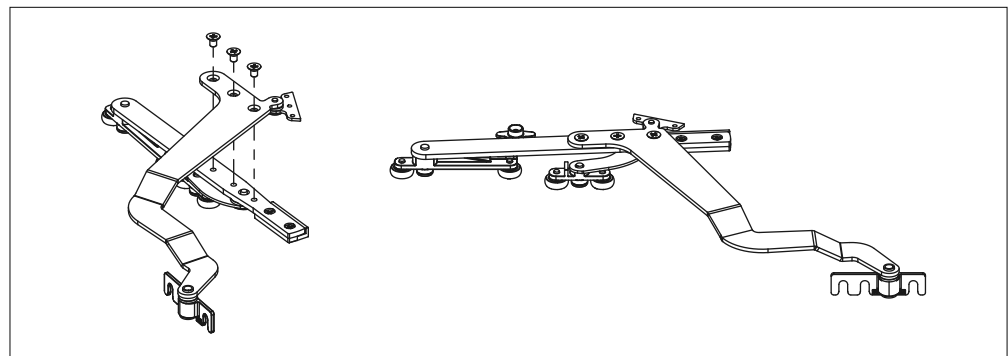
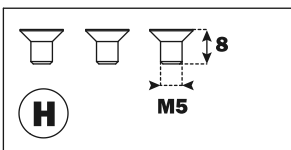


**BAG D**

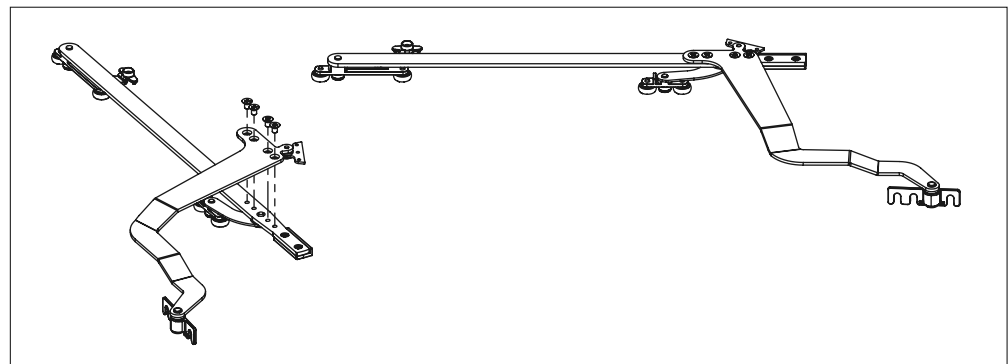
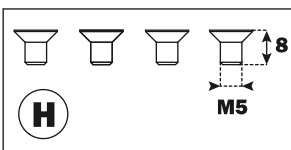


**BAG H**

**KIT 1**

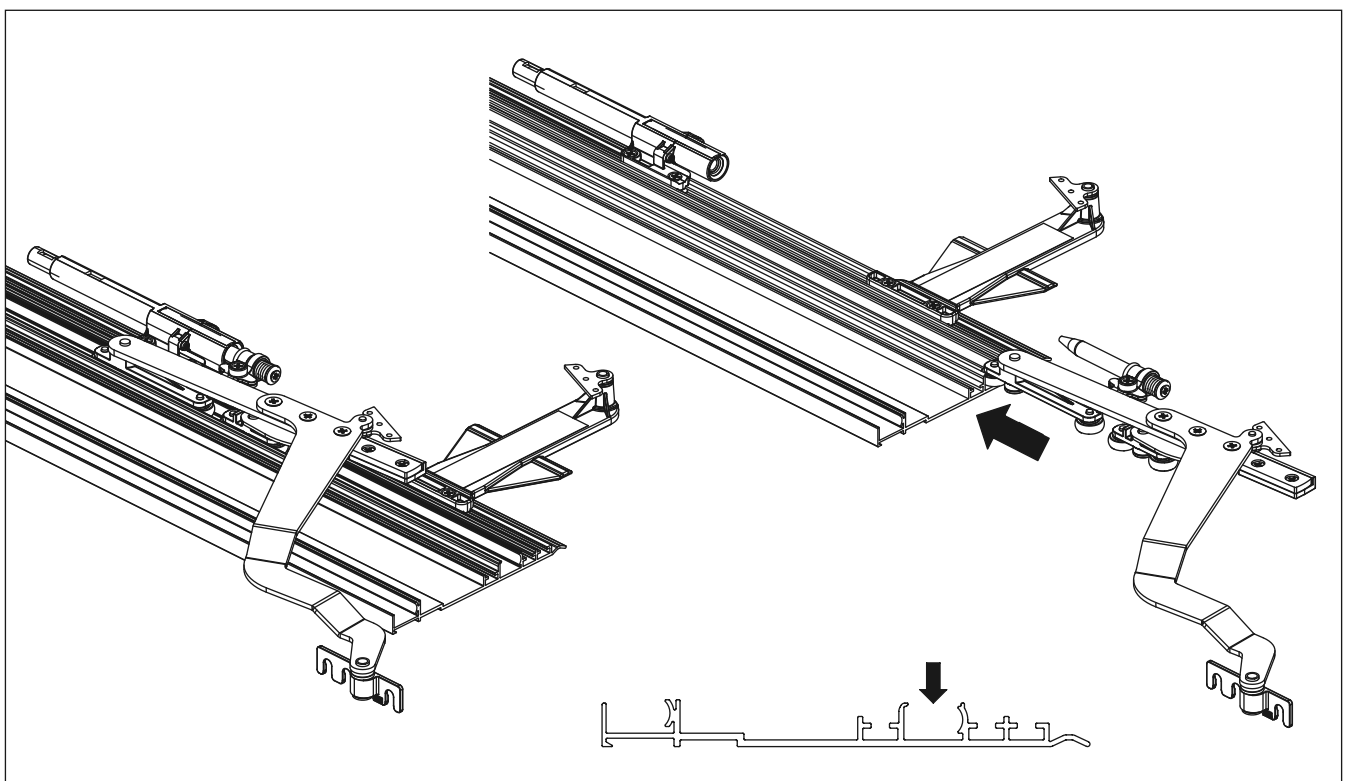
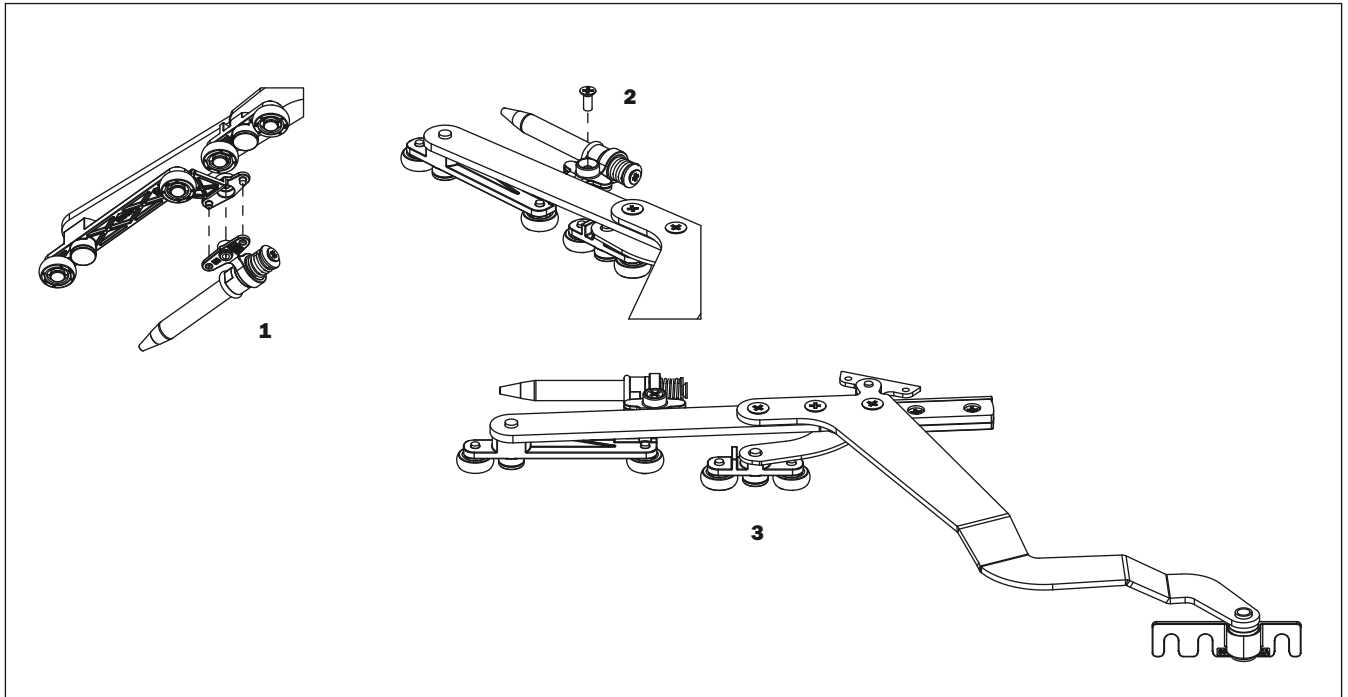
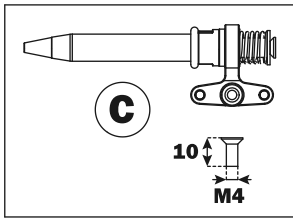


**KIT 2**



**Folder 180 • TOP - Preparation of system**

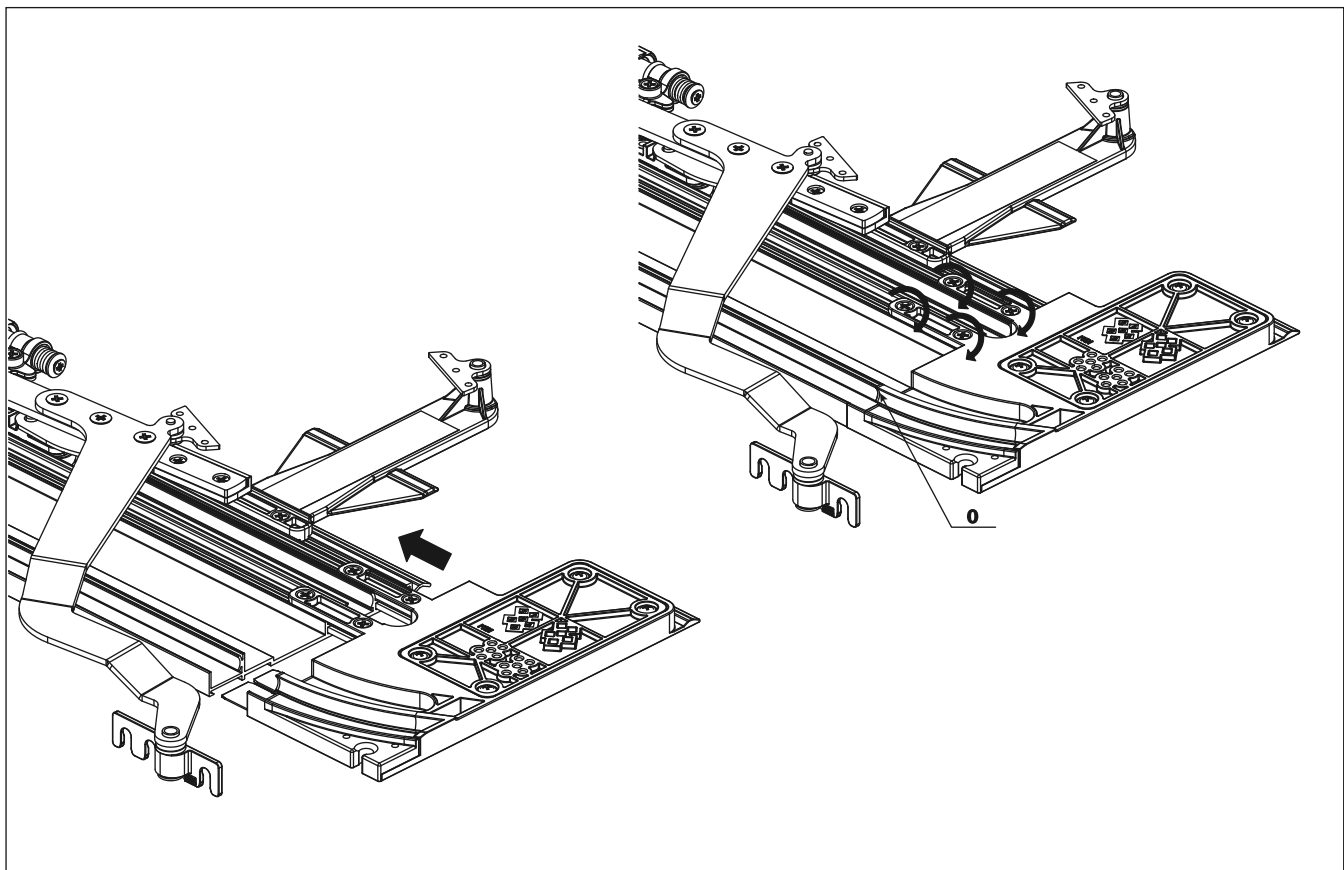
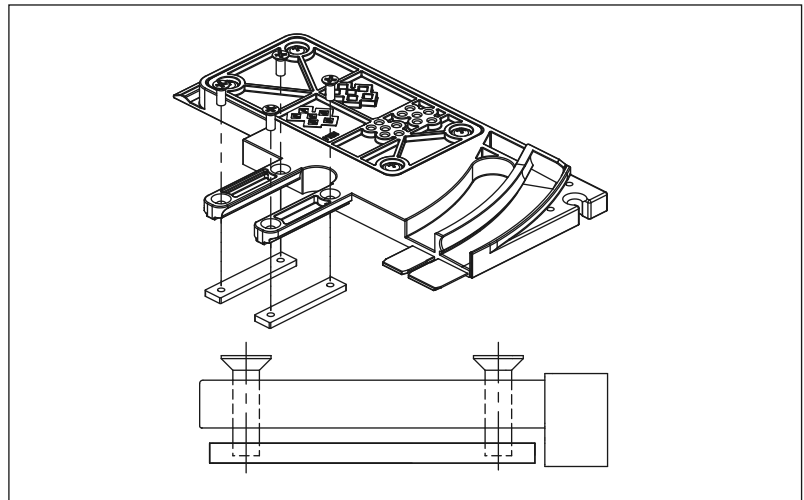
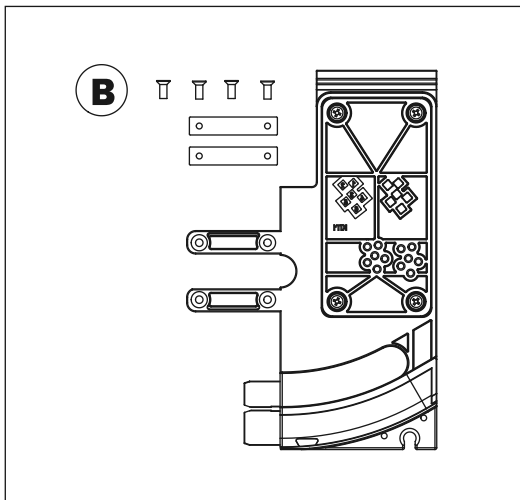
**BAG C**





## EXTERNAL terminal

### BAG B

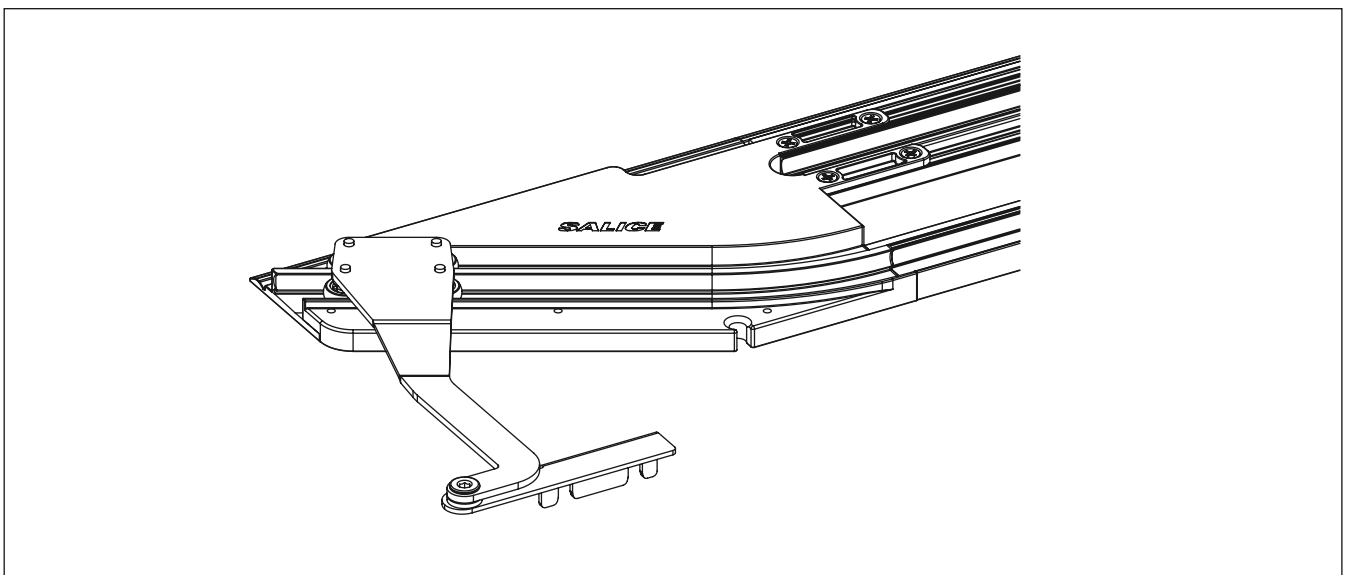
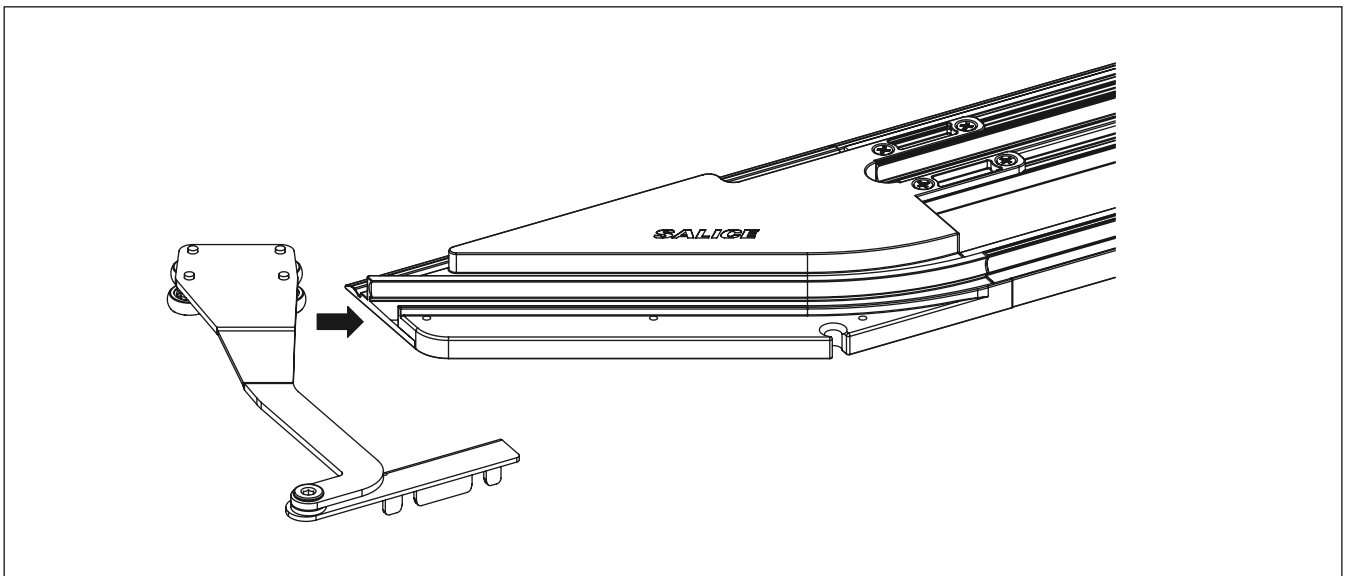
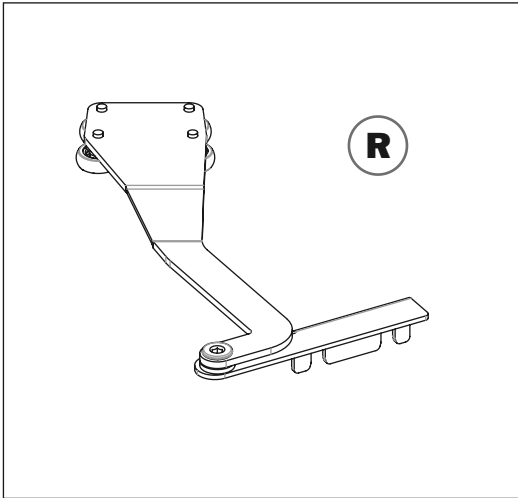




## Folder 180 • TOP - Preparation of system

### Internal arm

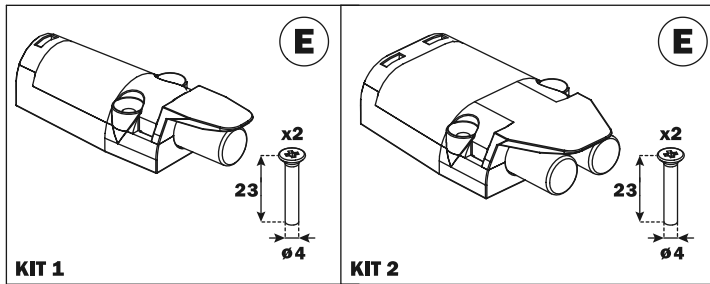
#### BAG R



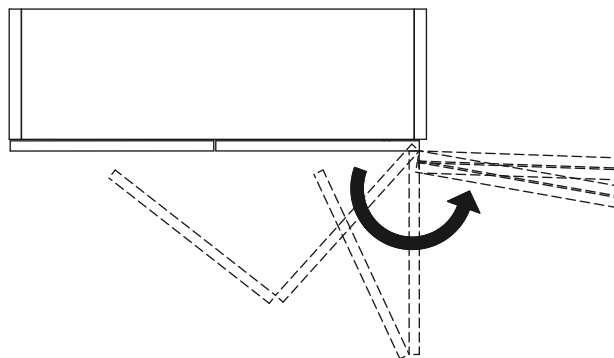
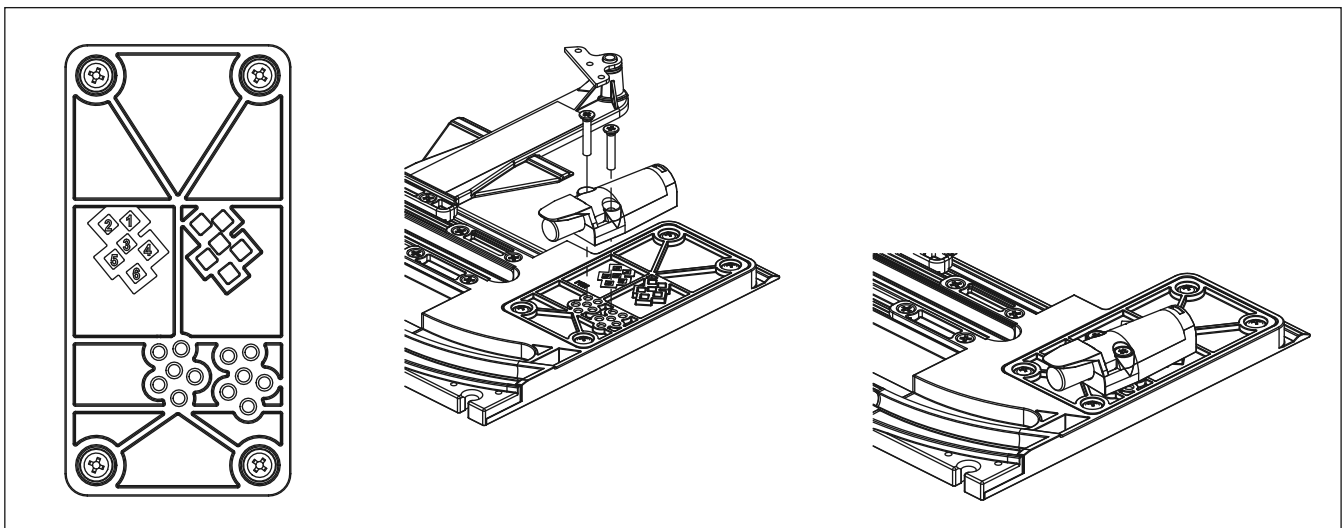


## Folder 180 • TOP - Adjustment during assembly

### Adjusting the door opening angle



To adjust the opening angle, mount the component E supplied on the outer terminal.  
 Insert the pin underneath component E into one of the numbered slots on the outer terminal.  
 Each number corresponds to an opening angle, see table.  
 Once the pin is in place, secure it using the screws supplied.



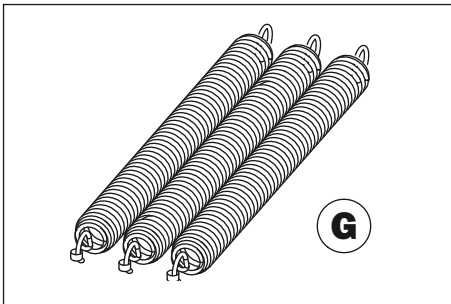
DOOR OPENING ANGLE			
HINGES	POSITION OF PIN	KIT 1 For doors with thickness between 350 mm and 500 mm	KIT 2 For wooden doors with thickness between 501 mm and 750 mm For aluminium doors with thickness between 501 mm and 600 mm
Series M	1	179°	179°
	2	177°	177°
	3	171°	173°
Conecta	4	178°	177°
	5	174°	173°
	6	170°	170°



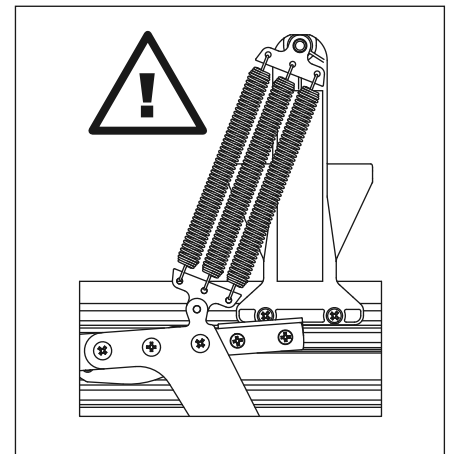
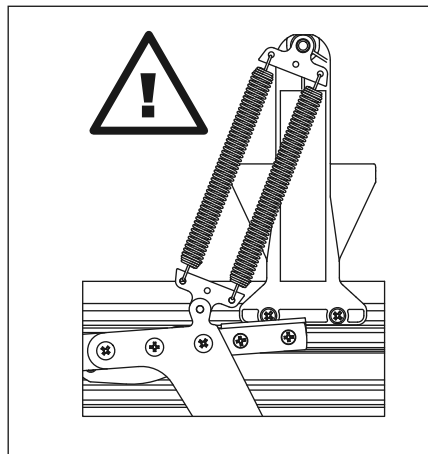
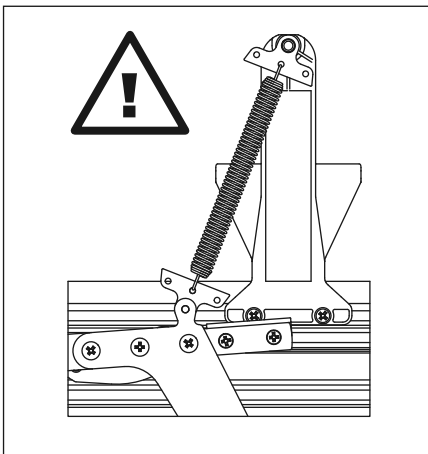
## Folder 180 • TOP - Adjustment during assembly

### Door speed adjustment

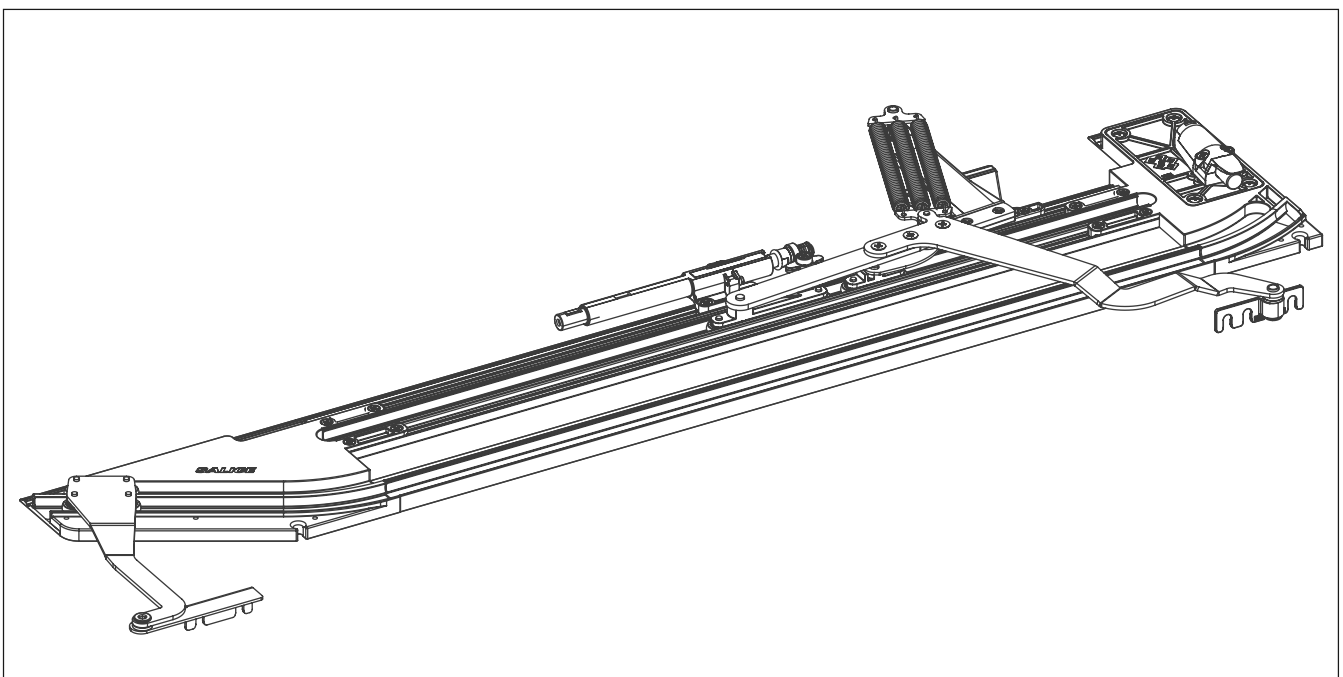
#### BAG G



To adjust the closing speed of the doors, use the springs as shown in the drawings



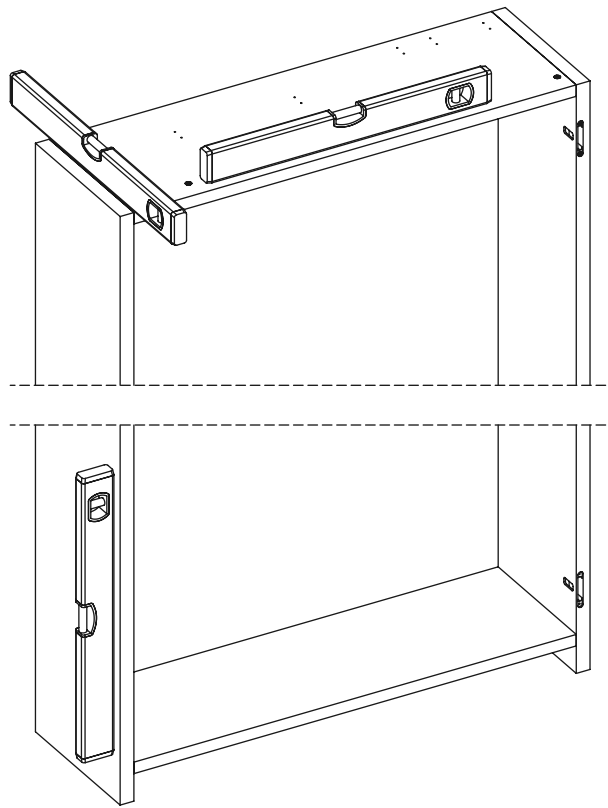
Fully assembled system





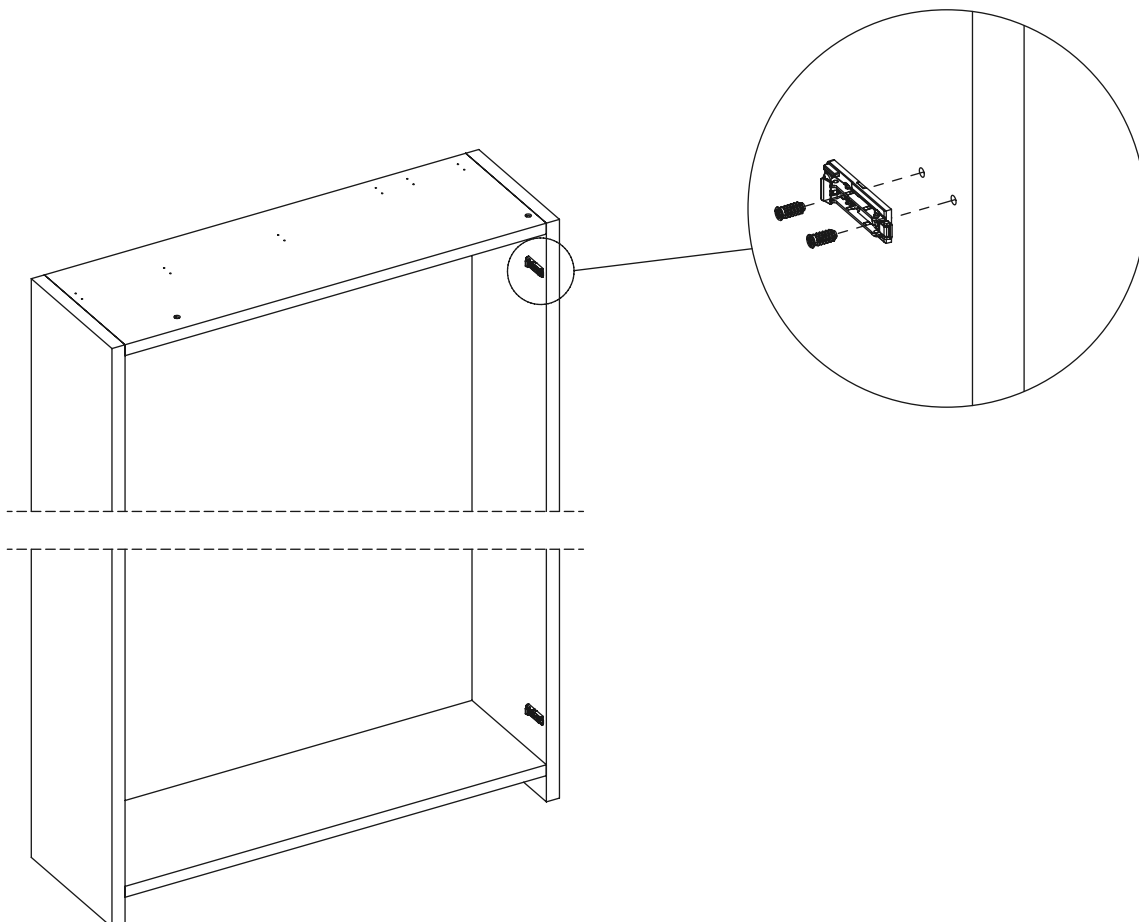
## Folder 180 • TOP - Preparation of cabinet

### Adjusting the cabinet



### Use of SERIES M HINGES

Apply the mounting plate to the side of the cabinet

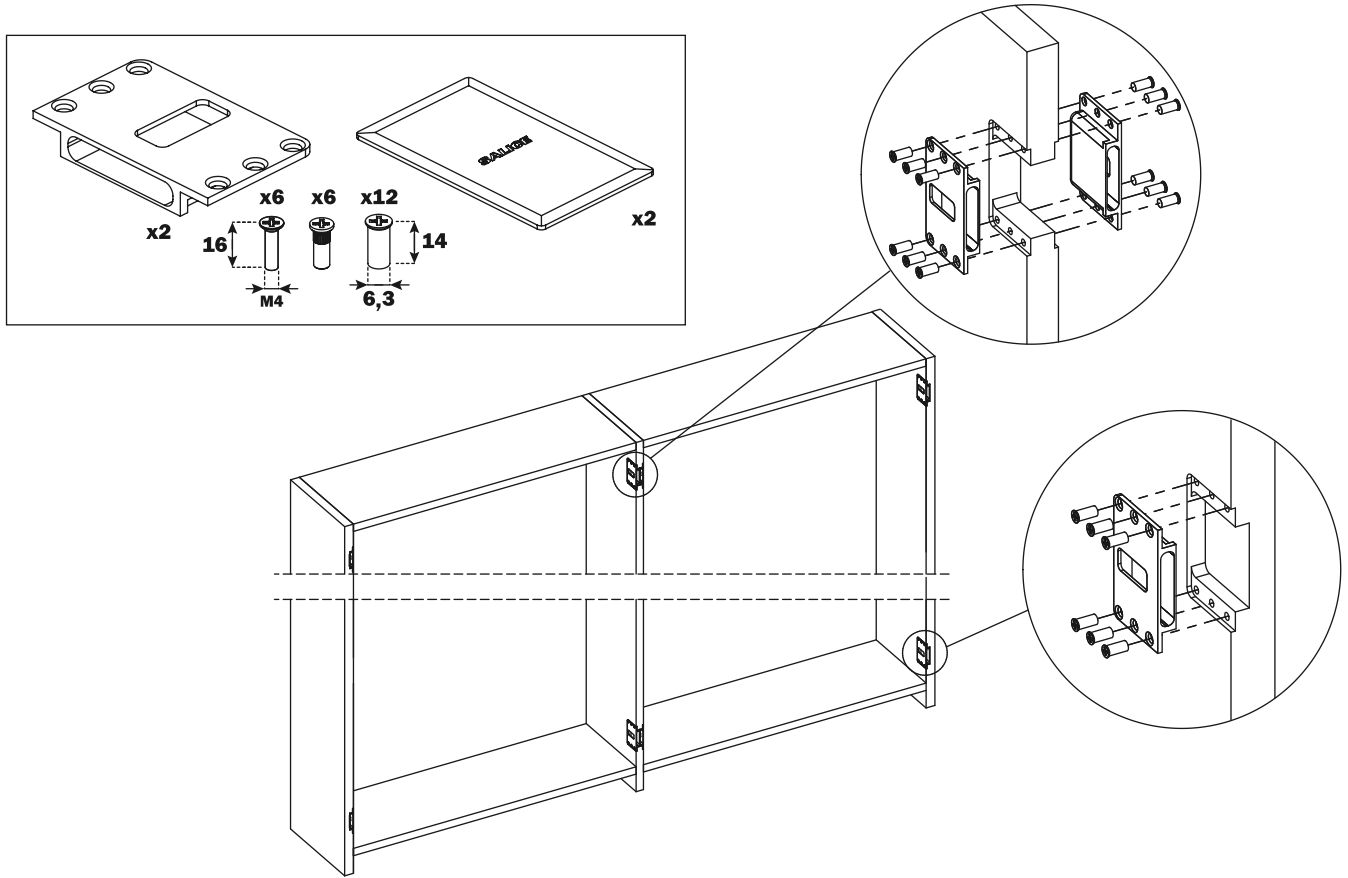




## Folder 180 • TOP - Preparation of cabinet

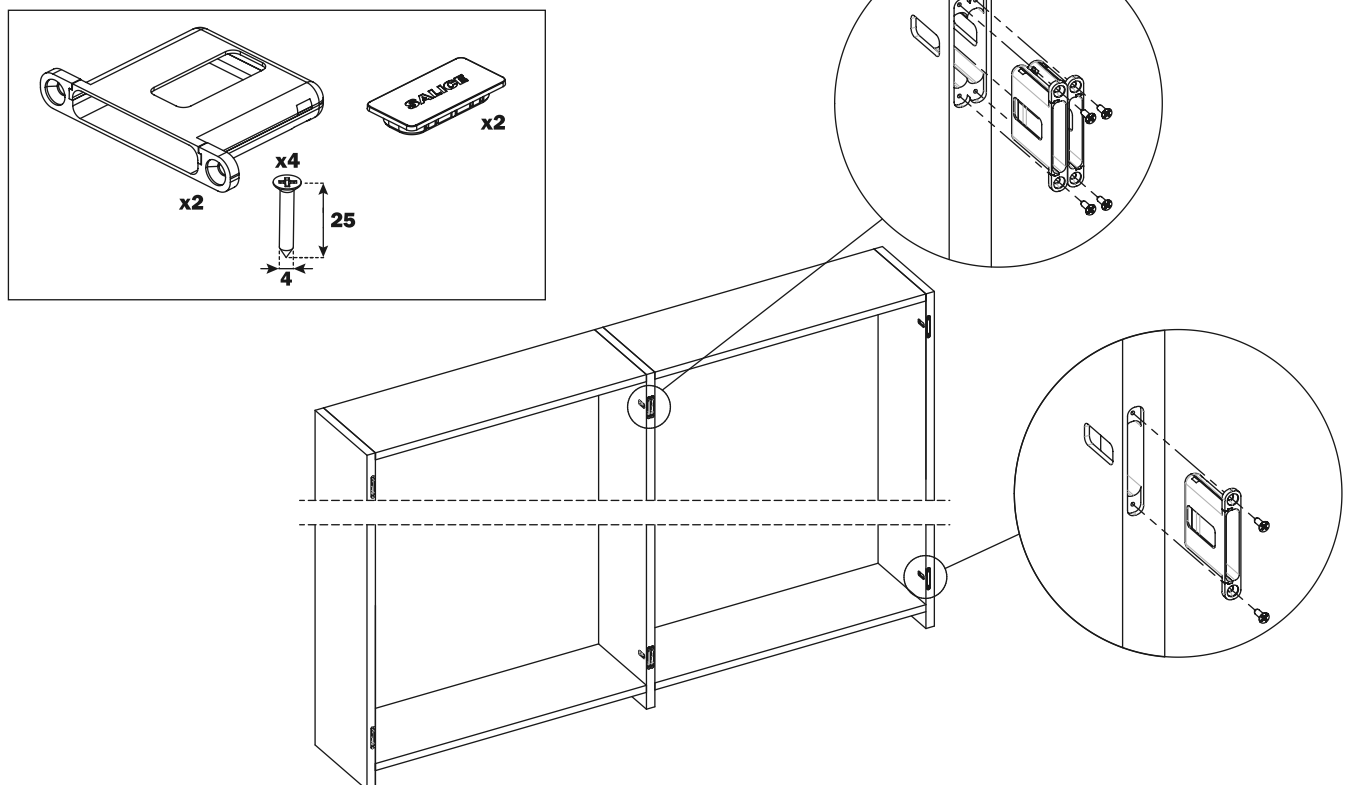
### Use of CONECTA hinges with holder DQG5B

Insert the holders on the side of the cabinet. For double doors, use the interscrews supplied



### Use of CONECTA hinges with holder DQG3B

Insert the holders on the side of the cabinet.

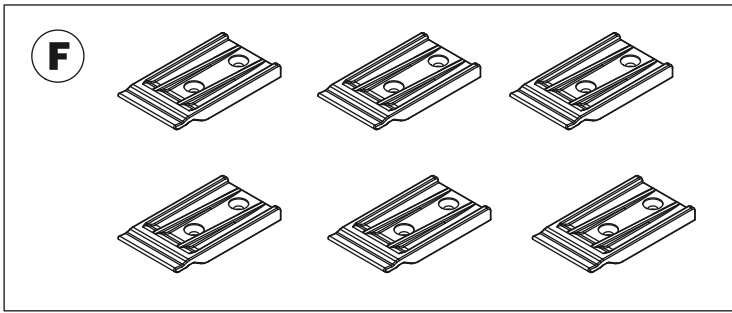




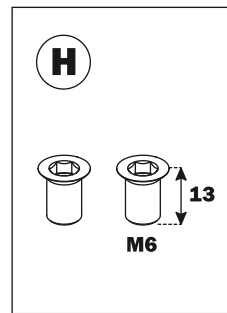


## Folder 180 • TOP - Application of clips

### BAG F

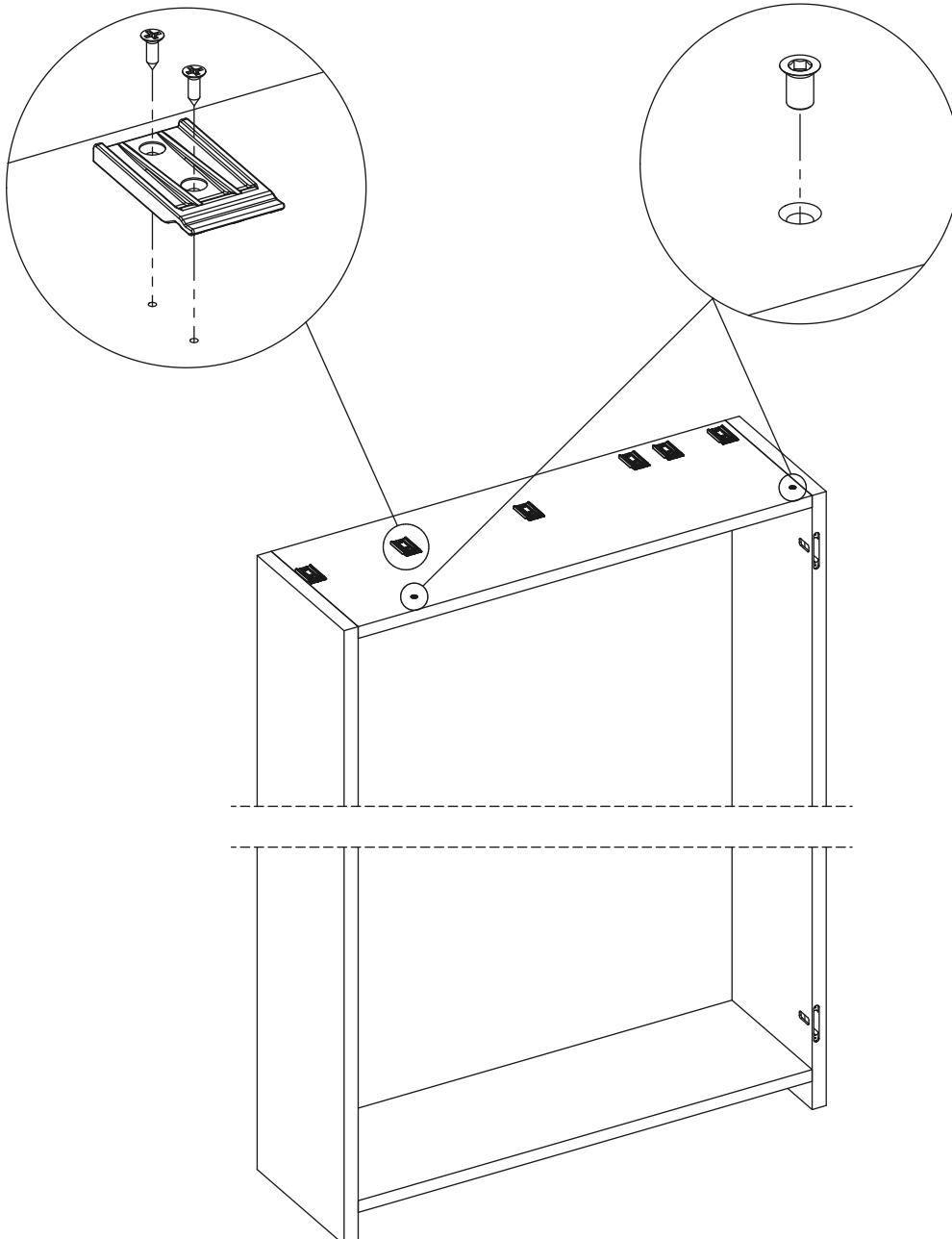


### BAG H



Apply the clips using wooden screws. Screws not included.

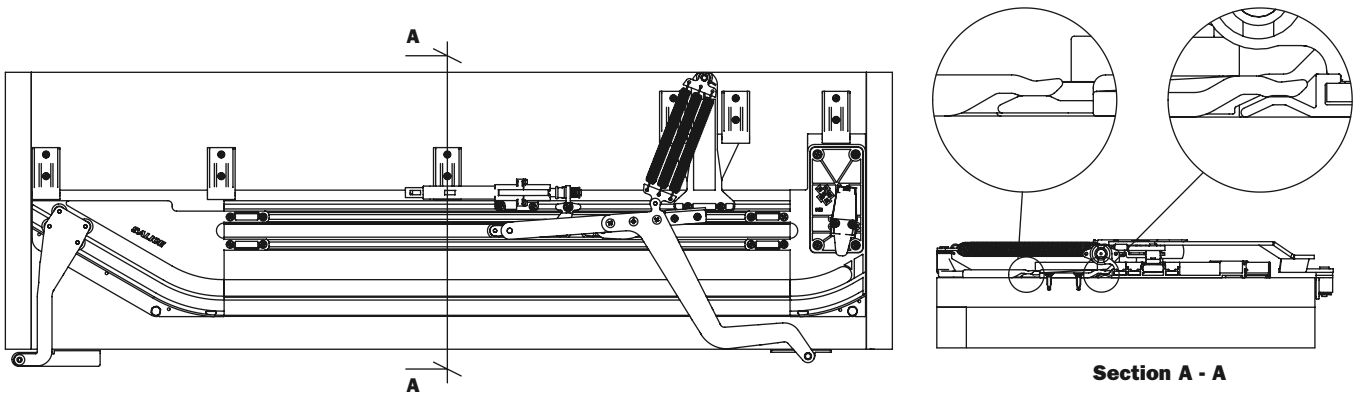
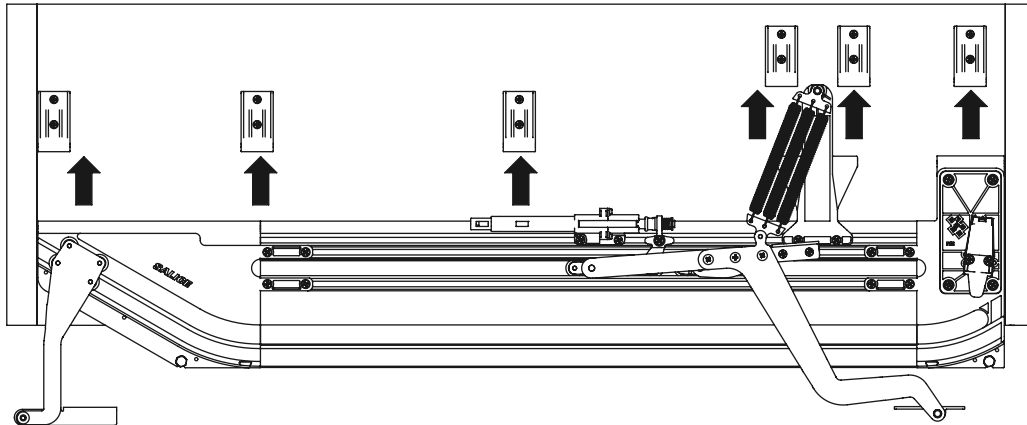
Insert the threaded bushes M6 supplied.



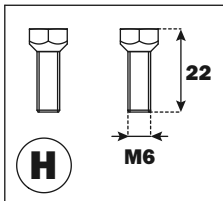


## Folder 180 • TOP - System assembly

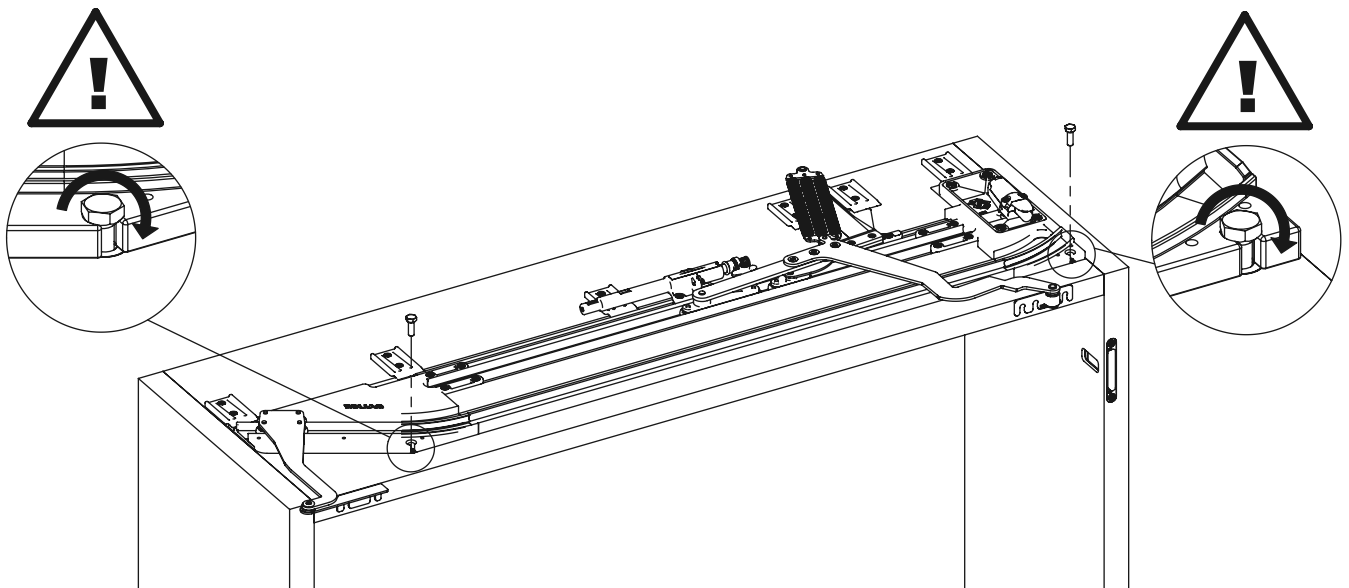
Insert the previously assembled system by sliding it in the direction indicated by the arrows until it engages in the clips.



### BAG H



Secure the system using the screws supplied



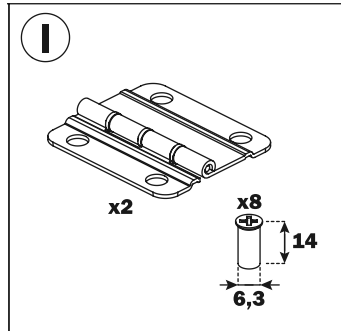


## Folder 180 • TOP - Preparation of doors - Fixing of hinges

Prepare the doors for assembly on the cabinet  
Fix the hinges on the previously drilled doors

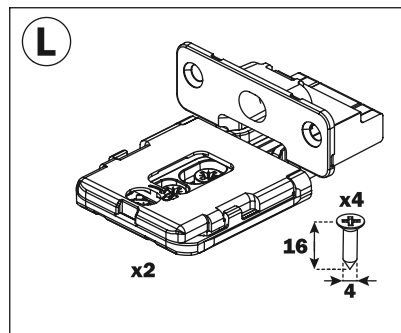
### BAG I

Central hinges



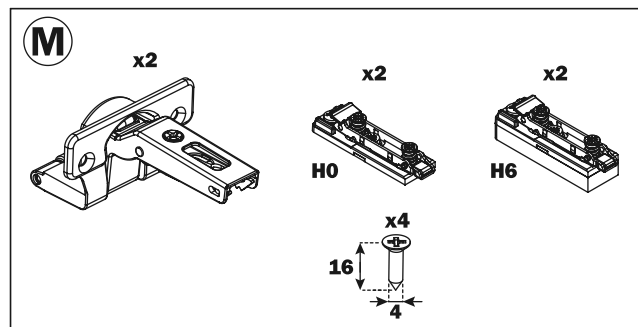
### BAG L

CONECTA hinges

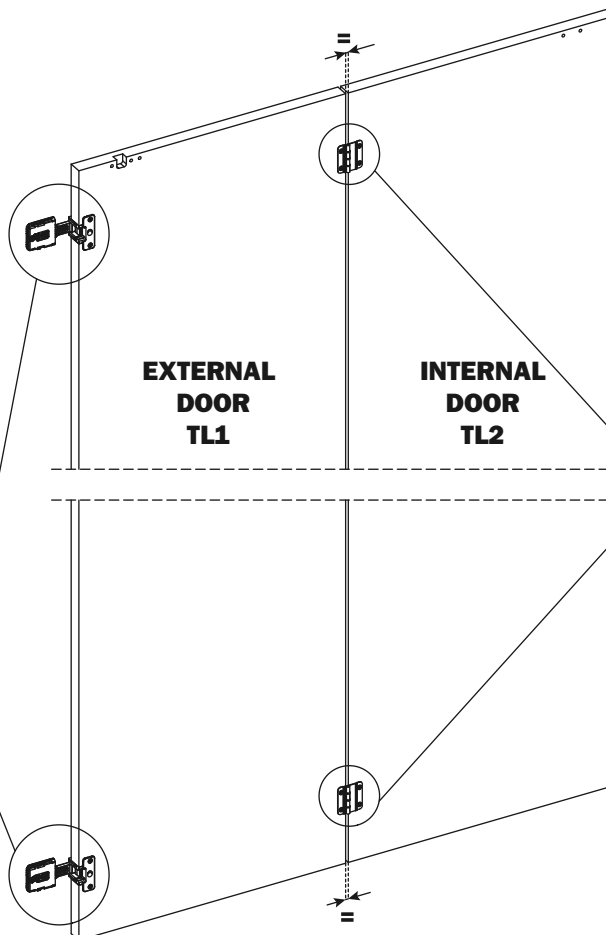
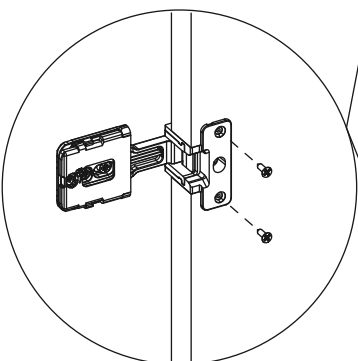
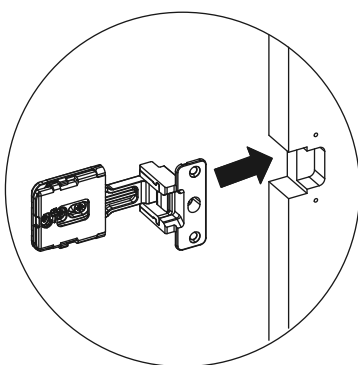


### BAG M

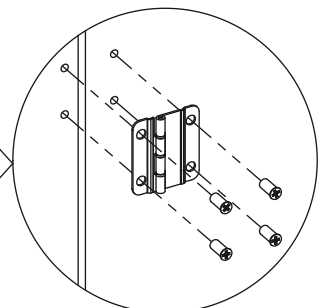
SERIES M hinges



Insert and fix the side hinges using the screws supplied



Fix the central hinges using the screws supplied

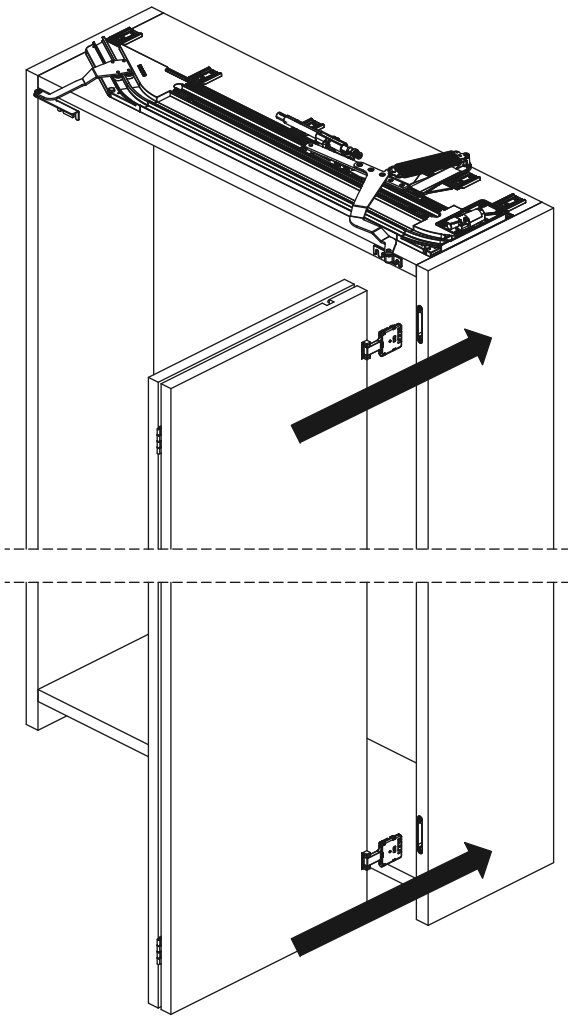




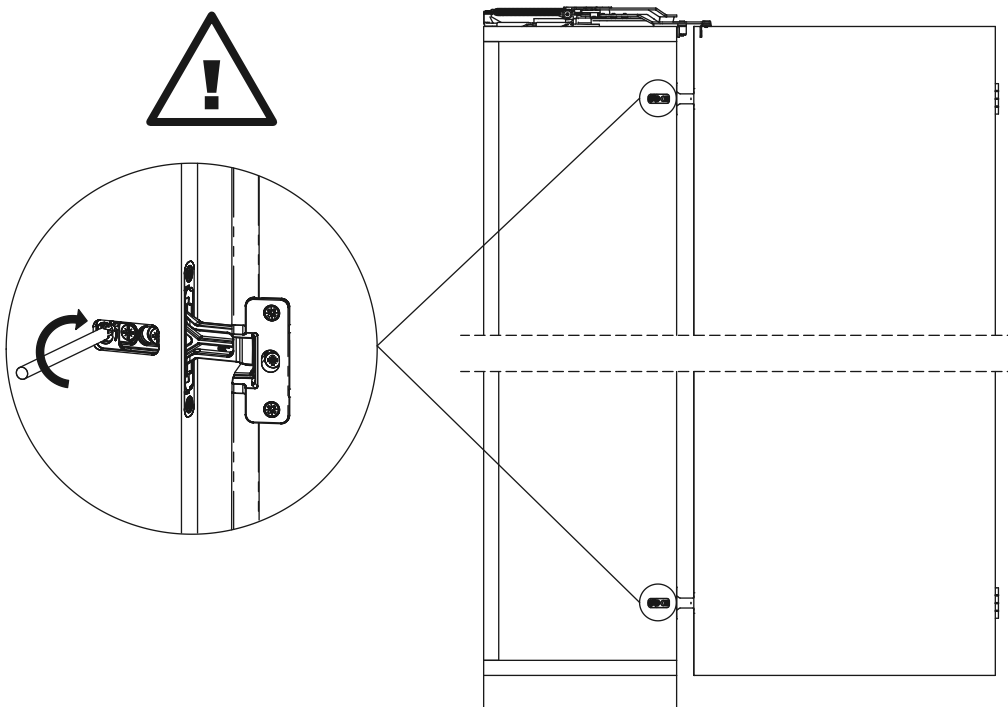
## Folder 180 • TOP - Assembly of doors

Mount the doors on the cabinet:

- if using Conecta hinges, fully insert the hinges as indicated by the arrows
- if using Series M hinges, engage the hinges on the mounting plates



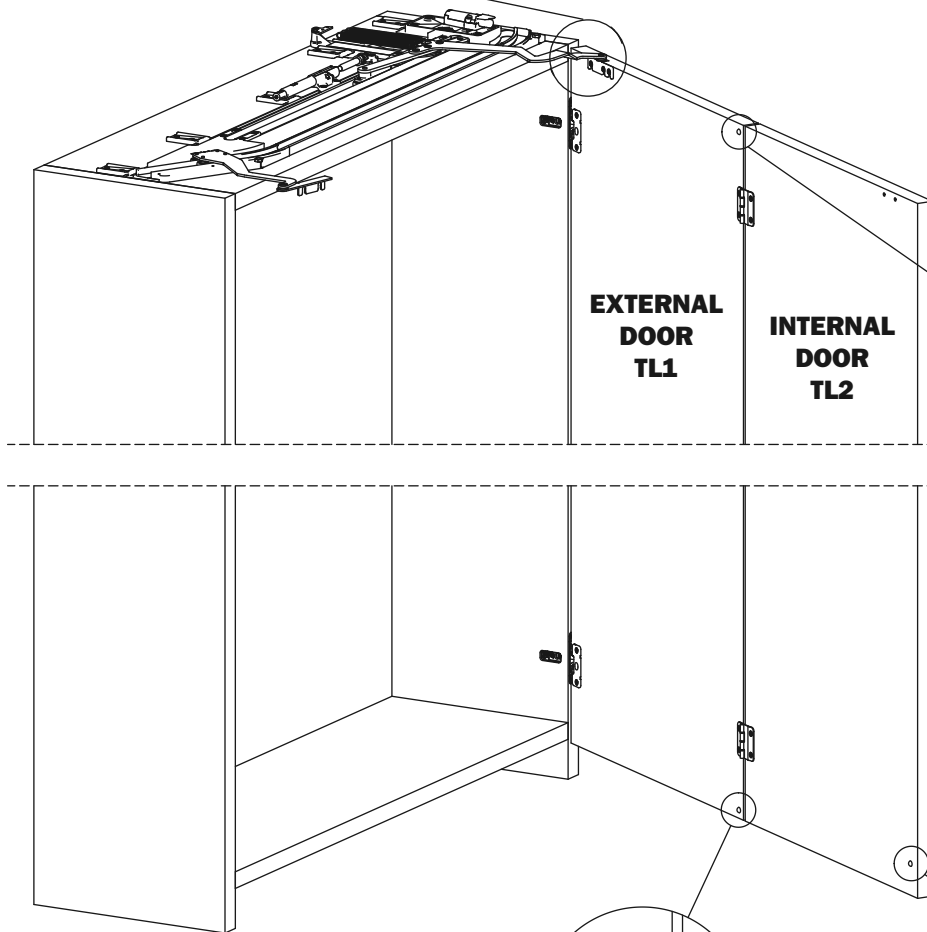
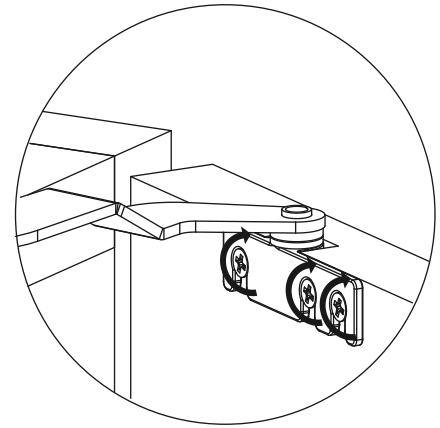
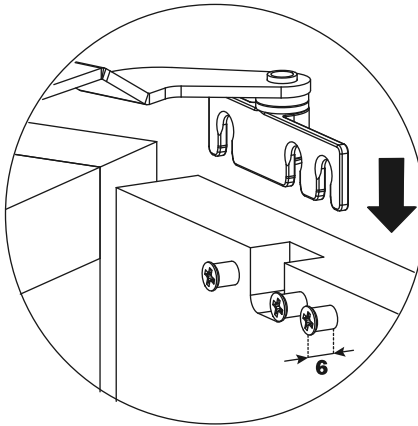
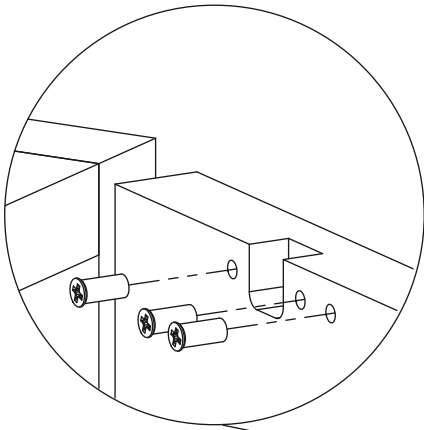
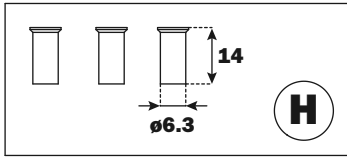
Once the hinges have been fully inserted, lock the hinges using the rear eccentric screw.



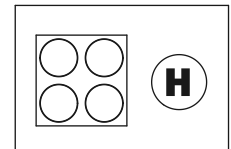


**BAG H**

Engage the external arm to the EXTERNAL door TL1 using the screws supplied



**BAG H**



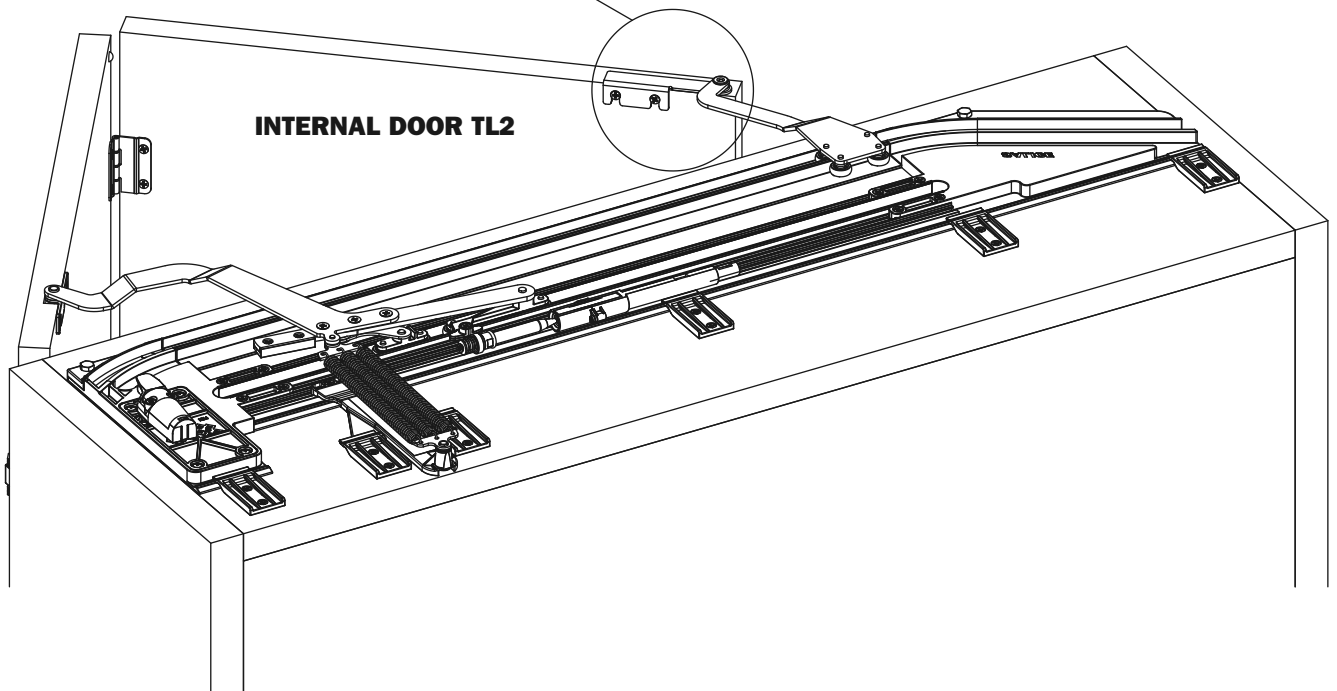
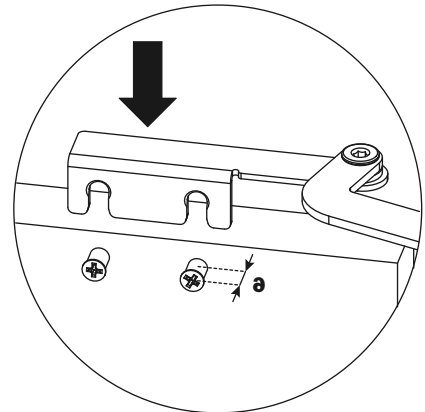
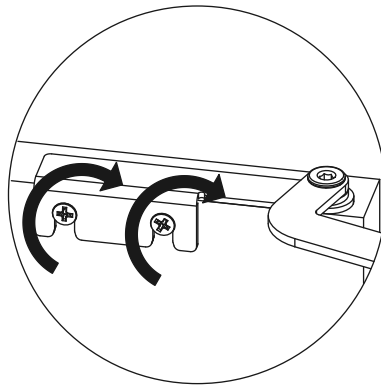
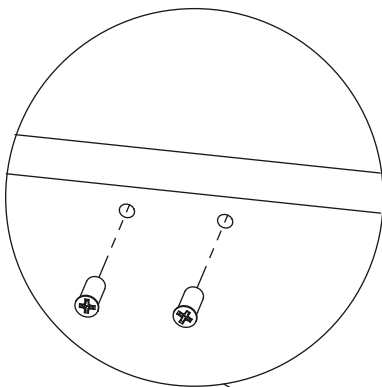
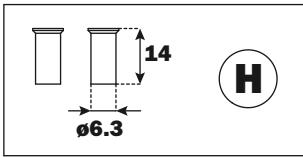
Apply the rubber bumpers supplied to the doors



## Folder 180 • TOP - Assembly of doors

### BAG H

Engage the internal arm to the INTERNAL door TL2 using the screws supplied



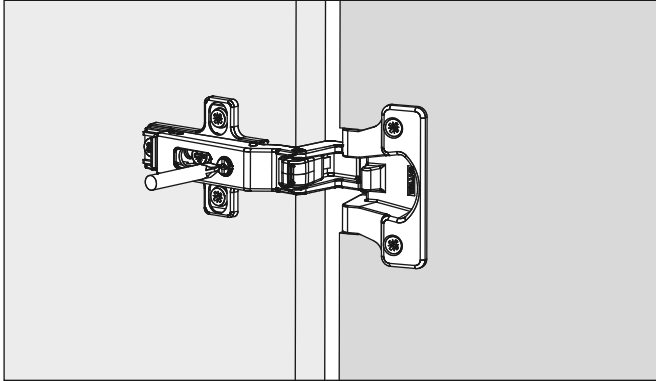


## Folder 180 • TOP - Adjustments

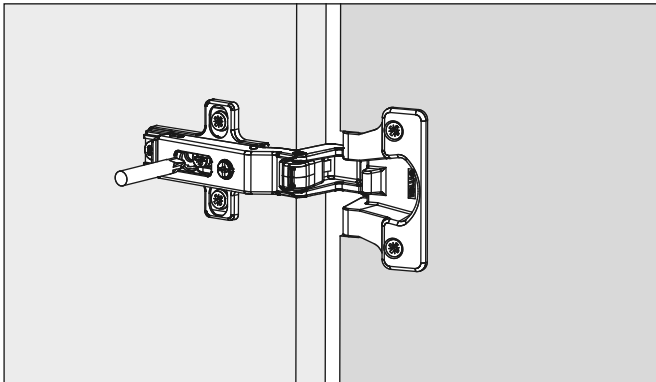
### SERIES M HINGES

Compensating sideways adjustment from -3 to +3 mm.

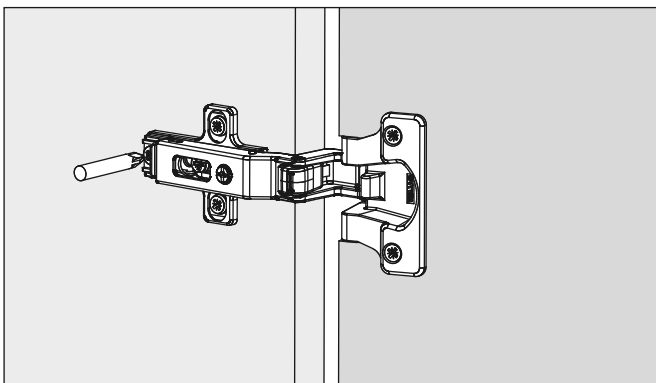
With mounting plates H = 0 the negative sideways adjustment cannot be used.

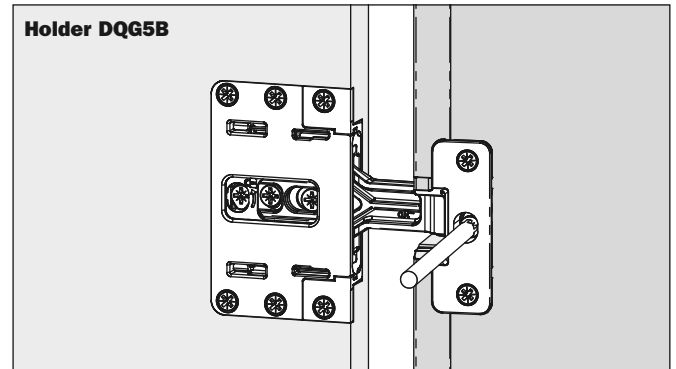
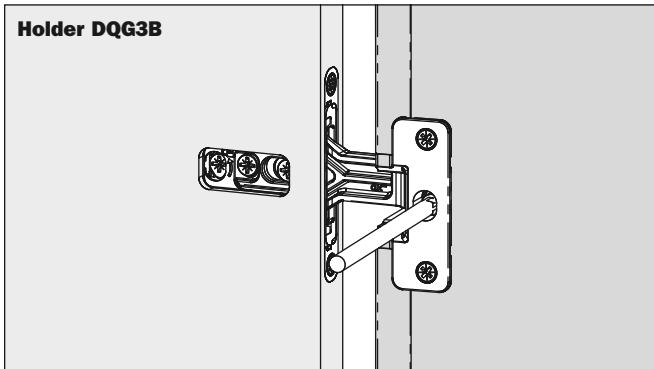
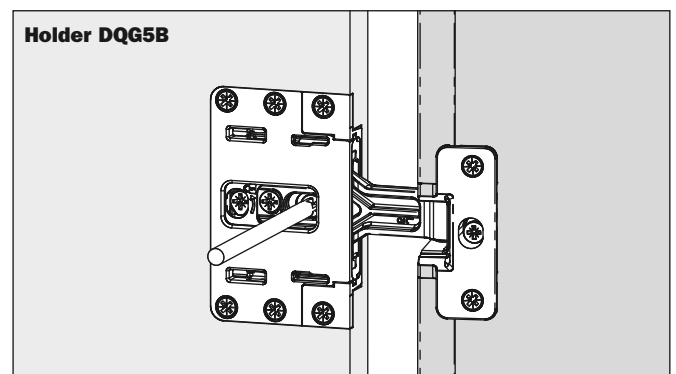
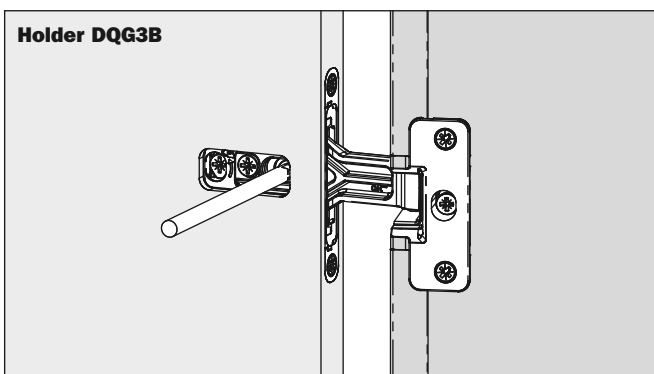
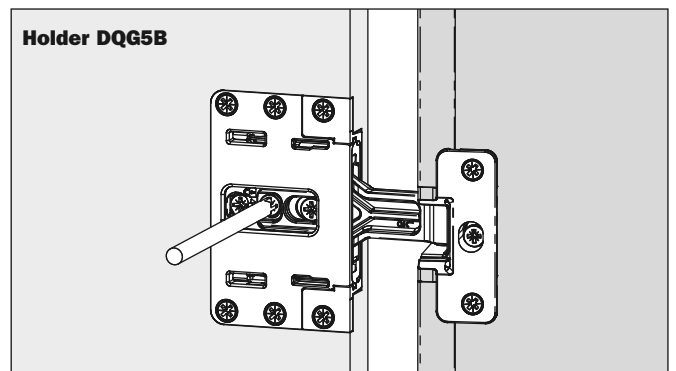
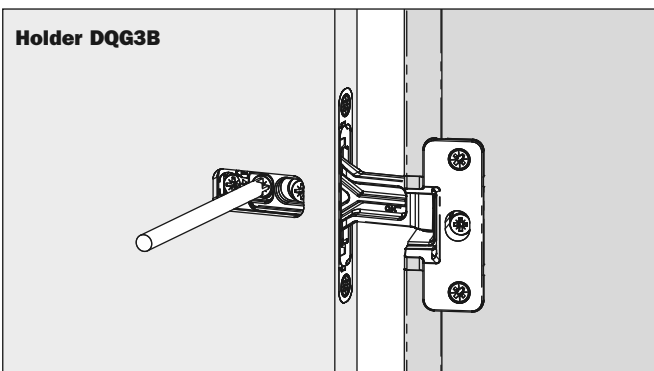


Height adjustment  $\pm 2$  mm



Depth adjustment from -0.5 to +2.8 mm



**Folder 180 • TOP - Adjustments****CONECTA HINGES****Sideways adjustment -2 +2 mm****Height adjustment -2.5 +2.5 mm****Depth adjustment -0 +3**









## ARTURO SALICE S.p.A.

VIA PROVINCIALE NOVEDRATESE, 10  
22060 NOVEDRATE (COMO) ITALIA  
TEL. 031 790424 - FAX 031 791508  
info.salice@salice.com - www.salice.com

### DEUTSCHE SALICE GMBH

RUDOLF DIESEL STR. 10  
74382 NECKARWESTHEIM  
TEL. 07133 9807-0  
FAX. 07133 9807-16  
info.salice@deutschesalice.de  
www.salice.com

### DEUTSCHE SALICE GMBH

VERKAUFSBÜRO NORD  
RINGSTRASSE 36/A30 CENTER  
32584 LÖHNE  
TEL. 05731 15608-0  
FAX. 05731 15608-10  
vknord@deutschesalice.de  
www.salice.com

### SALICE UK LTD.

KINGFISHER WAY  
HINCHINGBROOKE BUSINESS PARK  
HUNTINGDON CAMBS PE 29 6FN  
TEL. 01480 413831  
FAX. 01480 451489  
info.salice@saliceuk.co.uk  
www.salice.com

## BORTOLUZZI SISTEMI S.p.A.

VIA CADUTI 14 SETTEMBRE 1944, 45  
32100 BELLUNO ITALIA  
TEL. 0437 930866 - FAX 0437 931442  
info@bortoluzzi.com - www.bortoluzzi.com

### SALICE FRANCE S.A.R.L.

285 RUE DE GOA ZAC LES 3 MOULINS  
06600 ANTIBES  
TEL. 0493 330069  
FAX. 0493 330141  
info.salice@salicefrance.com  
www.salice.com

### SALICE ESPAÑA, S.L.U.

C/ AIGUAFREDA 4, P.I. AMETLLA PARK  
08480 L'AMETLLA DEL VALLÈS (BARCELONA)  
TEL. 0034 938 46 88 61  
info.salice@saliceespana.es  
www.salice.com

### SALICE PORTUGAL UNIP. LDA

#### SHOWROOM:

TV SÁ E MELO 161 FA  
4470-116 MAIA - PORTO  
TEL: 00351 224 154 221  
Info@saliceportugal.pt  
www.salice.com

#### ARMAZÉM:

VIA ROTA DOS MÓVEIS I 399  
4585-325 GANDRA

### SALICE CHINA (SHANGHAI) CO. LTD.

1st FLOOR, B1 BLDG 928 MINGZHU ROAD  
XUJING, QINGPU DISTRICT  
SHANGHAI 201702 - CHINA  
TEL. 021 3988 9880  
FAX. 021 3988 9882  
info.salice@salicechina.com  
www.salicechina.com

### SALICE INDIA PVT. LTD.

1001 & 1002, 10TH FLOOR,  
CENTRUM, PLOT NO. C-3,  
OPP. WAGLE PRABHAG SAMITI OFFICE,  
MIDC AREA, WAGLE INDUSTRIAL ESTATE,  
THANE - 400604, MAHARASHTRA  
TEL. 022 20812050  
info@saliceindia.com  
www.salice.com

### SALICE CANADA INC.

3500 RIDGEWAY DRIVE,  
UNIT#1  
MISSISSAUGA, ONTARIO, L5L 0B4  
TEL. 905 820 8787  
FAX. 905 820 7226  
info.salice@salicecanada.com  
www.salicecanada.com

### SALICE AMERICA INC.

2123 CROWN CENTRE DRIVE  
CHARLOTTE NC. 28227  
TEL. 704 841 7810  
FAX. 704 841 7808  
info.salice@saliceamerica.com  
www.saliceamerica.com



Digital contents

We reserve the right to change technical specifications.



Ed. 01 - 05/2024