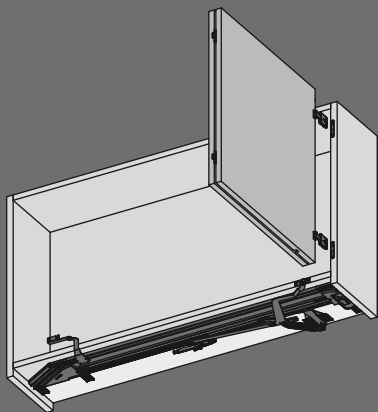




Folder 180

Base - Right

SALICE



ENGLISH

Right-hand 180° opening door - Assembly instructions

Warning

For professional use only.

Read the assembly instructions carefully before installation, and give this safety data sheet to the end user of the cabinet.

Ensure that the load-bearing capacity of the cabinet is suitable for the type of hardware to be installed. The cabinet must have a sufficiently rigid and stable structure to prevent collapse or breakage during assembly and use.

Wear suitable personal protective equipment during assembly operations.

Do not attempt to work on the mechanism without prior training.

Warning: spring-action mechanism may produce sudden, uncontrolled movement.

If you have any doubts or needs during installation, please contact technical assistance.

Folder 180 • BASE - Double hinged door • 180° opening

System for concertina doors

- Maximum opening 180° adjustable up to 170°
- Automatic opening and closing action controlled by silicon oil dampers and by a magnetic damper for a smooth and gently decelerated movement
- Fixing of the doors to the cabinet side with external SERIES M hinges or with recessed CONECTA hinges

BASE version

- The track can be assembled under the bottom panel of the cabinet for column units, wardrobes and base units
- Adjustment of the opening and closing speed of the doors
- Fully adjustable in three directions

Technical information

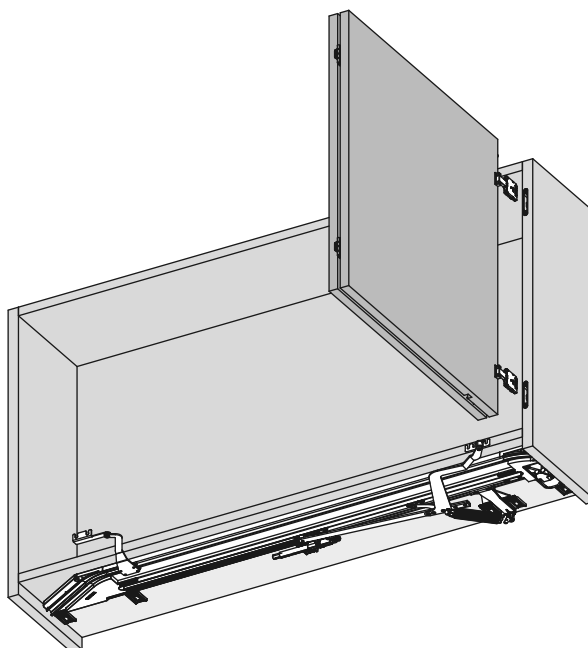
- Thickness of wooden door with SERIES M hinges:
from 18 mm to 24 mm
- Thickness of wooden door with CONECTA hinges:
from 18 mm to 25 mm
- Thickness of wooden door with profile VE79KITE710_A with CONECTA hinges:
from 22 mm to 25 mm
- Width of each single wooden door:
from 350 mm to 750 mm
- Width of each single aluminium-framed door:
from 350 mm to 600 mm

Door height:

- Min. 600 mm
- Max. 2800 mm

Always maintain the min. ratio of 2/3 between HA/(2*LA)
for example with HA = 800 mm
(2*LA) will be max. 1200 mm

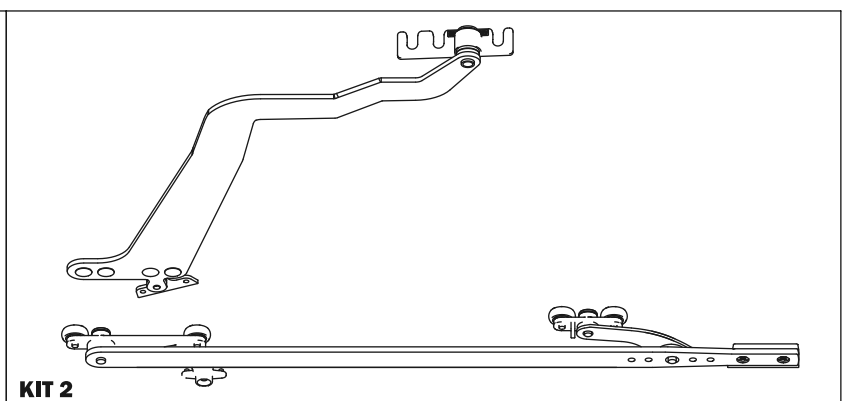
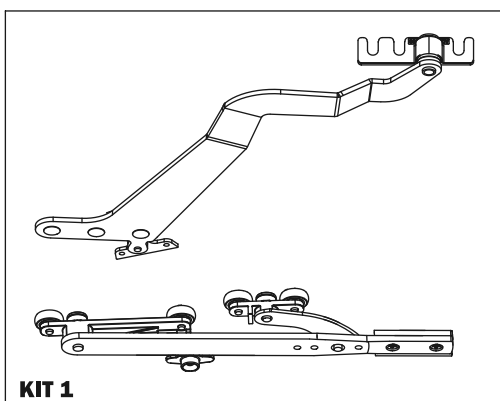
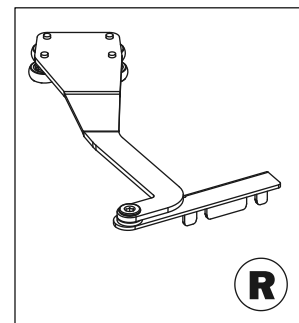
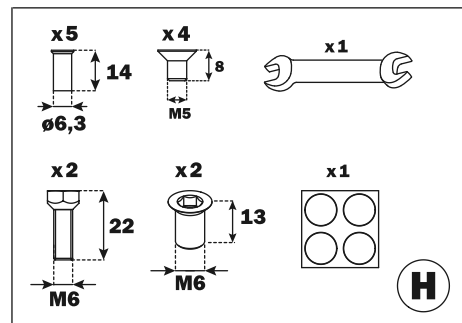
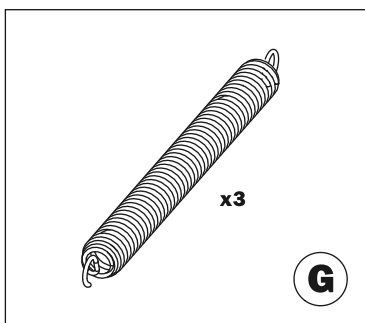
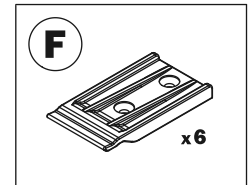
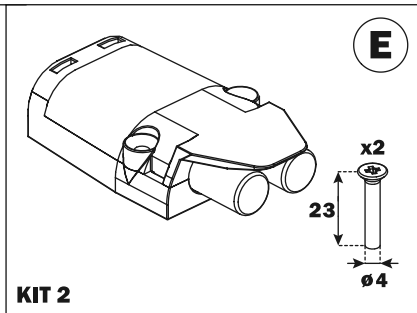
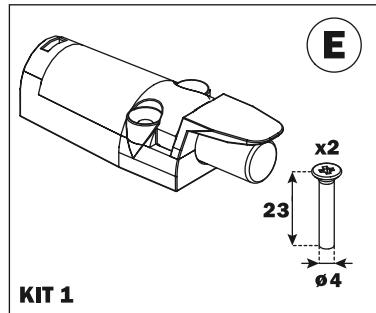
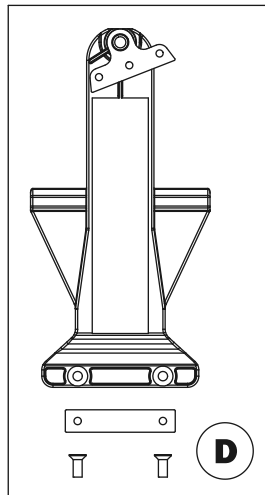
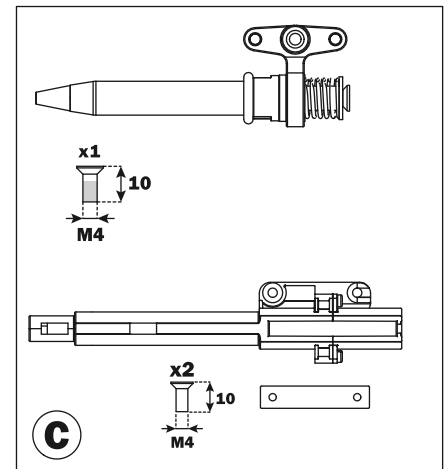
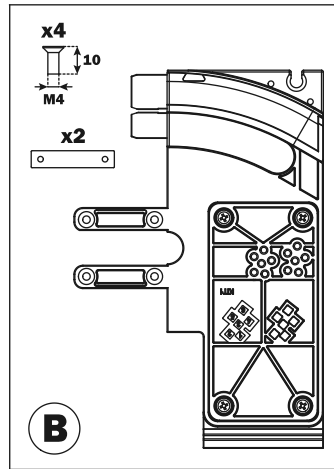
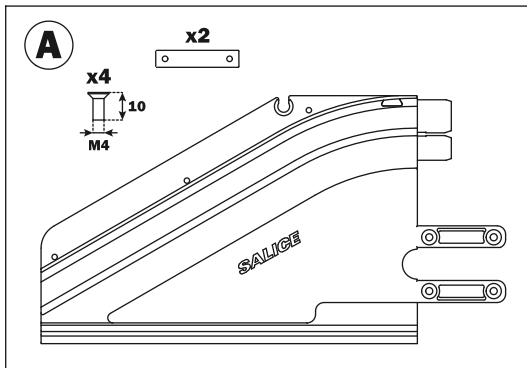
- Cabinet depth \geq 320 mm
- Side thickness with recessed CONECTA hinges \geq 19 mm



HA = Door height
TL = Door width

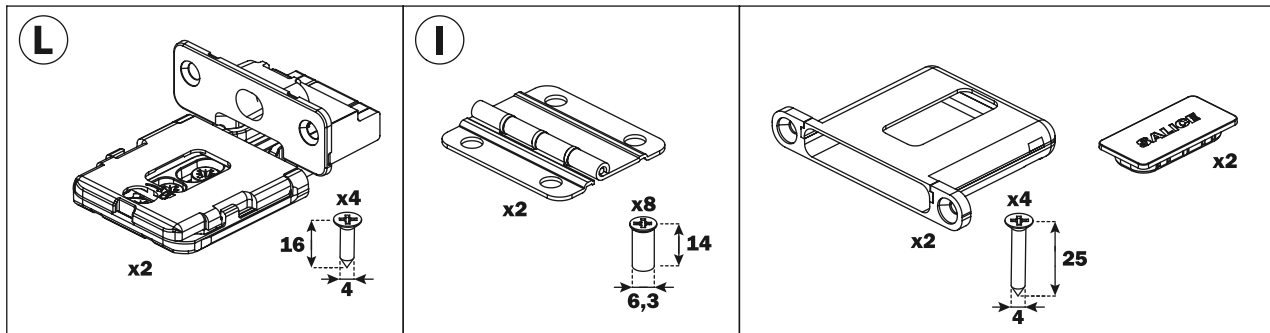
Folder 180 • BASE - Right-hand opening door

Items in the mechanism kit package

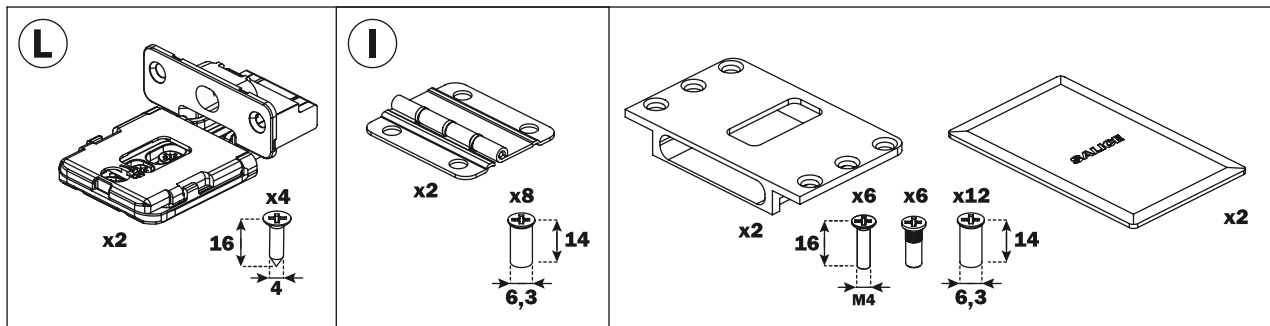


Hinges kit

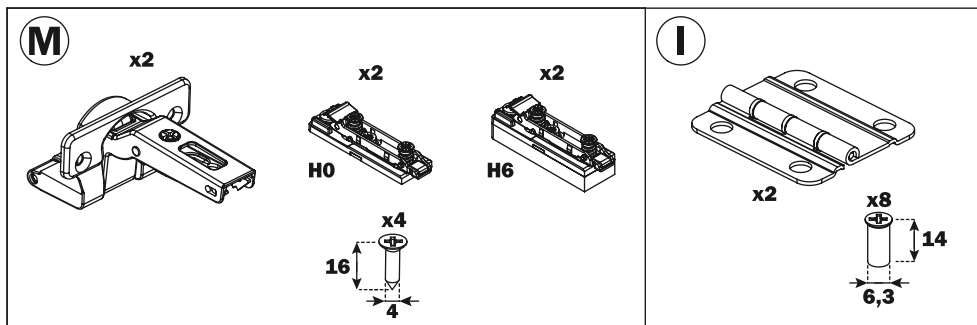
Conecta hinges kit - DQG3B holder recessed



Conecta hinges kit - DQG5B holder external

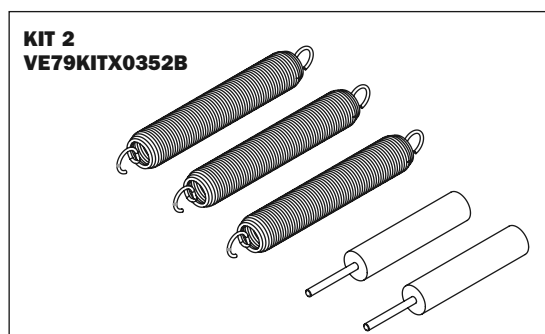
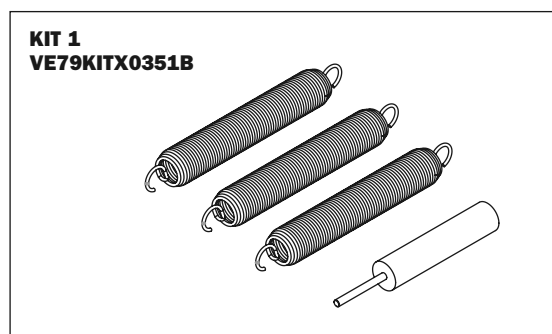


Series M hinges kit



Optional

Set for light doors (see tables on page 7)

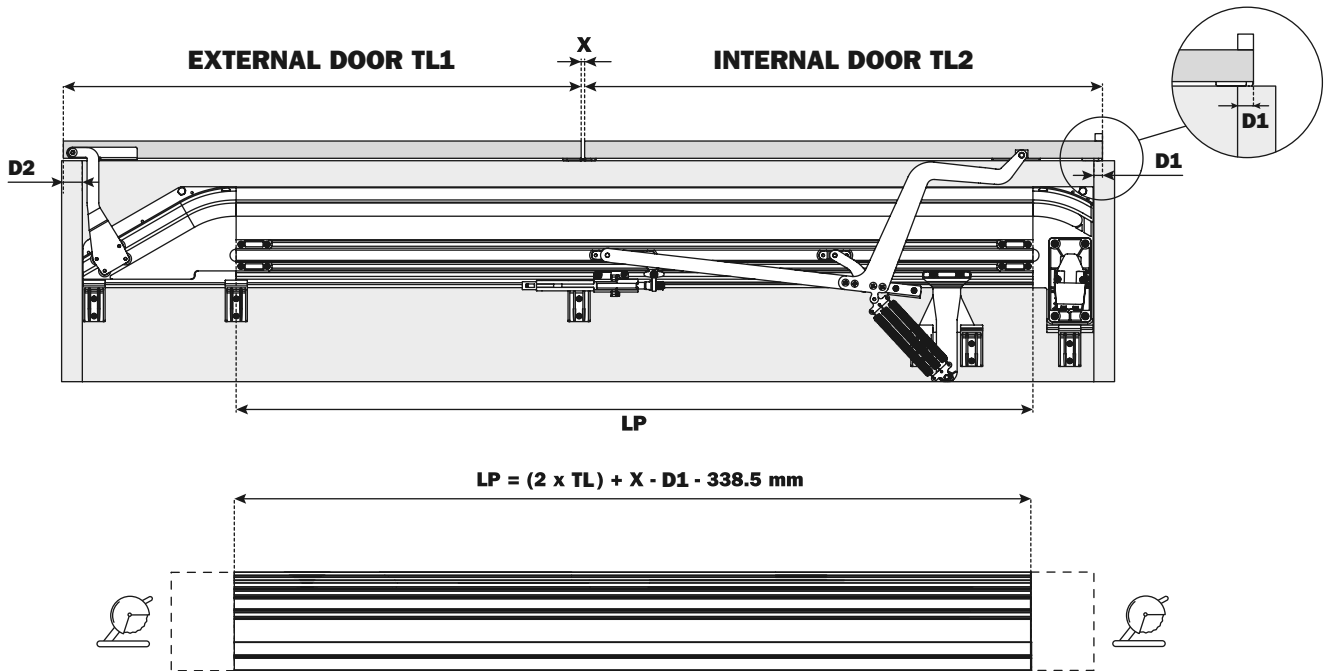




Folder 180 • BASE - Double hinged door

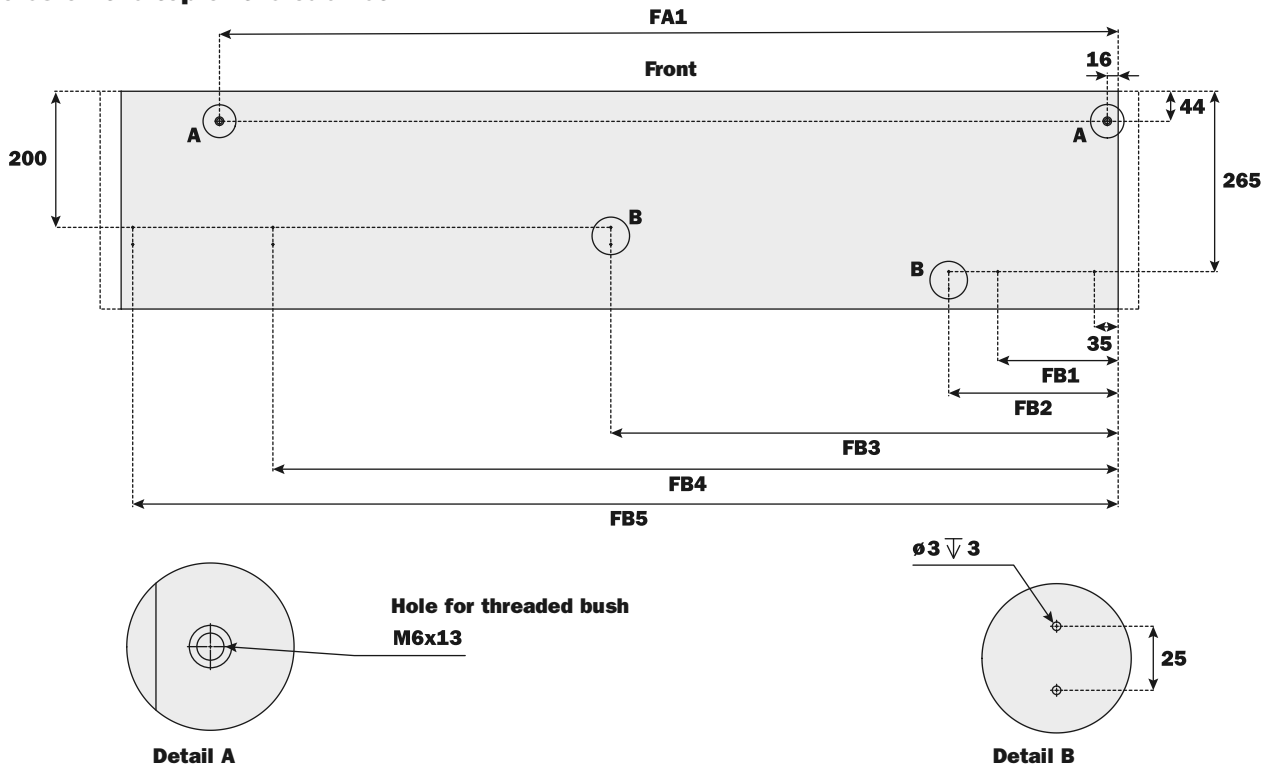
Formula to determine the length of the profile to be cut

$$LP = (2 \times TL) + X - D1 - 338.5 \text{ mm}$$



- LP = Profile length**
- TL = Door width**
- X = Reveal between doors**
- D1 = External door overlay on side**
- D2 = Internal door overlay on side**

Holes on the top of the cabinet



	FB1	FB2	FB3	FB4	FB5	FA1
KIT 1	151	223	(LP/2) + 156	LP + 88	LP + 294	LP + 166.5
KIT 2	177	249	(LP/2) + 169	LP + 88	LP + 294	LP + 166.5

Folder 180 • BASE

Tables to determine the number of hinges per single mechanism

KIT 1

2 x DOOR WIDTH TL (mm)	DOOR HEIGHT HA (mm)	MAX. WEIGHT FOR TWO DOORS (Kg)	NUMBER OF HINGES	SET FOR LIGHT DOORS VE79KITX0351B
KIT 1 = 700 - 1000 With wooden doors and aluminium doors*	600 - 800	10	2	SI
	801 - 1200	16	3	SI
	1201 - 1600	24	4	SI
	1601 - 2000	30	4	NO
		40	5	NO
	2001 - 2400	35	4	NO
		45	5	NO
	2401 - 2800	40	4	NO
		50	5	NO

KIT 2

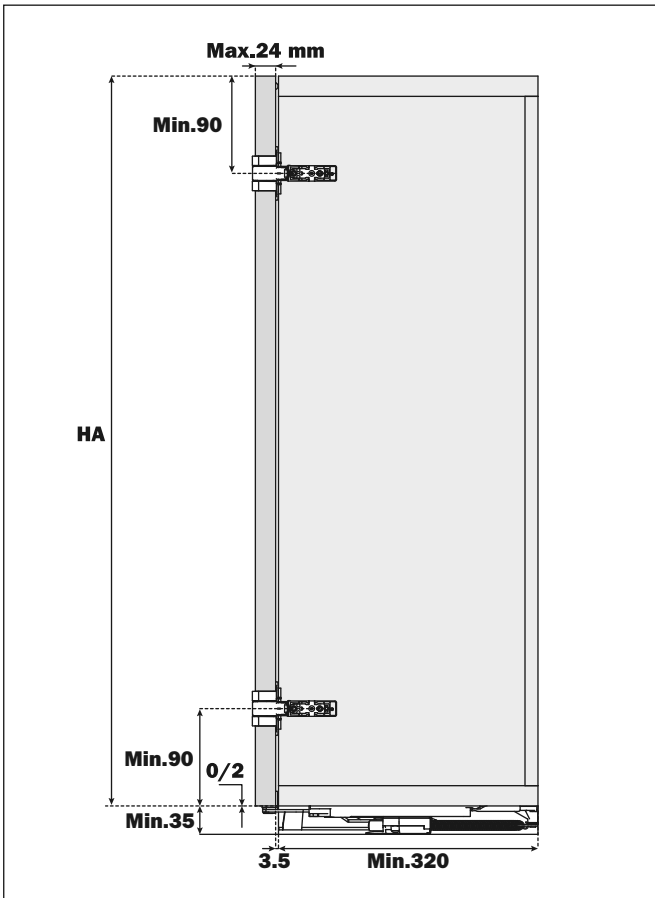
2 x DOOR WIDTH TL (mm)	DOOR HEIGHT HA (mm)	MAX. WEIGHT FOR TWO DOORS (Kg)	NUMBER OF HINGES	SET FOR LIGHT DOORS VE79KITX0352B
KIT 2 = 1001 - 1500 With wooden doors	700 - 800	10	2	SI
	801 - 1200	16	3	SI
	1201 - 1600	24	4	SI
	1601 - 2000	30	5	NO
		40	6	NO
	KIT 2 = 1001 - 1200 With aluminium doors*	2001 - 2400	35	5
45			6	NO
2401 - 2800		40	5	NO
		50	6	NO

* M-series hinges not compatible with wooden doors with aluminium profiles VE79KITE710_A and with aluminium-framed doors

- VE79KITE700SA
- VE79KITE700TA
- VE79KITE300NB
- VE79KITE300TB
- VE79KITE710SA
- VE79KITE710TA

Folder 180 • BASE - SERIES M HINGES

Space required to accommodate the system and position of the SERIES M HINGES

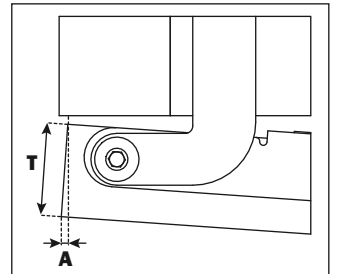


D1 = Door overlay on side hinged side

D1 = 18
with mounting plate H = 0
D1 = 12
with mounting plate H = 6

HA = Door height

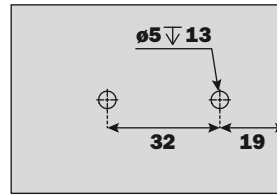
Reveal required for the opening of the INTERNAL door TL2 for wooden door



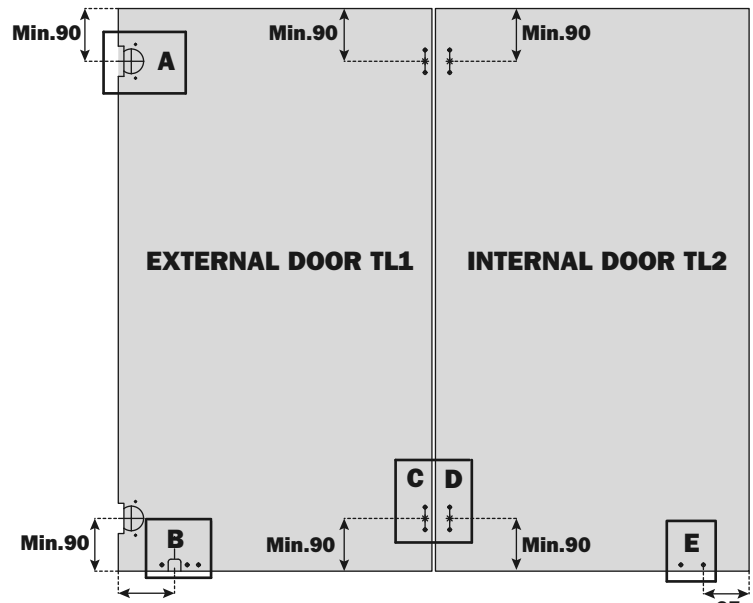
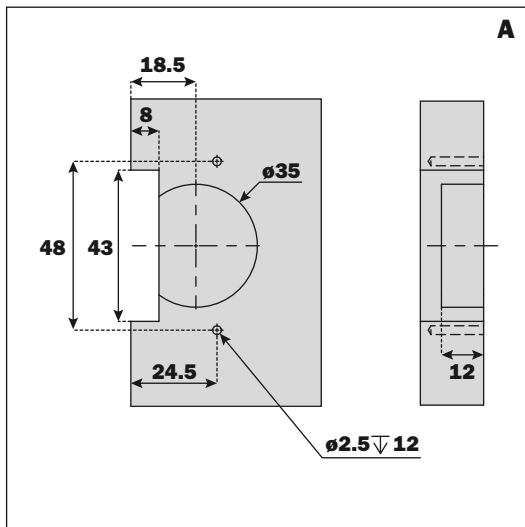
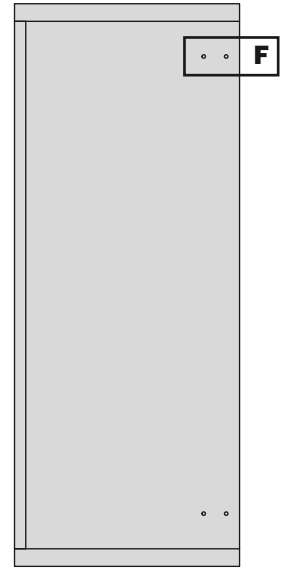
Door thickness T	Space needed to open the door A
18 mm	1.7 mm
24 mm	2.3 mm

Folder 180 • BASE - SERIES M HINGES

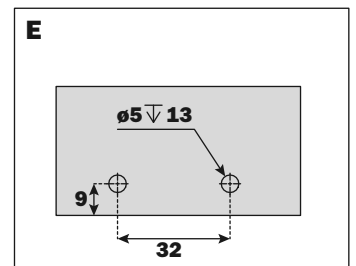
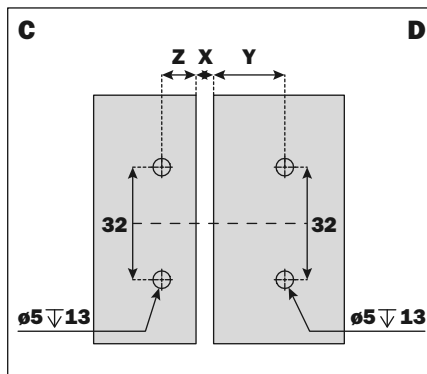
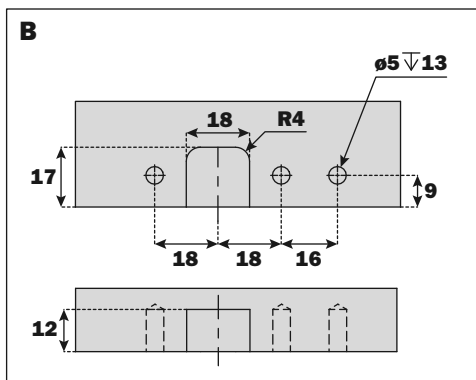
Workings on wooden doors with SERIES M HINGES



F



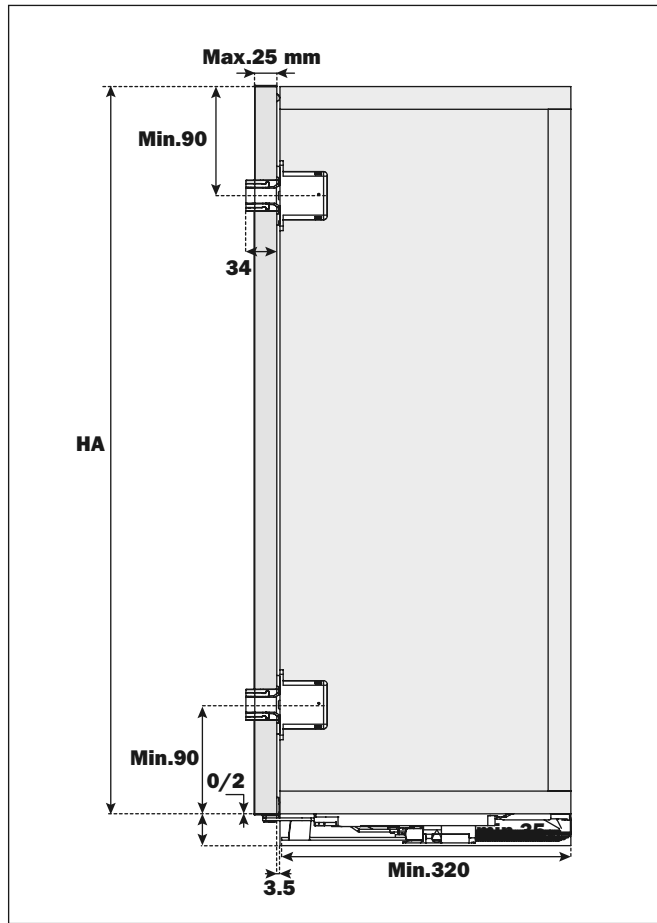
KIT 1 80 mm
KIT 2 117 mm



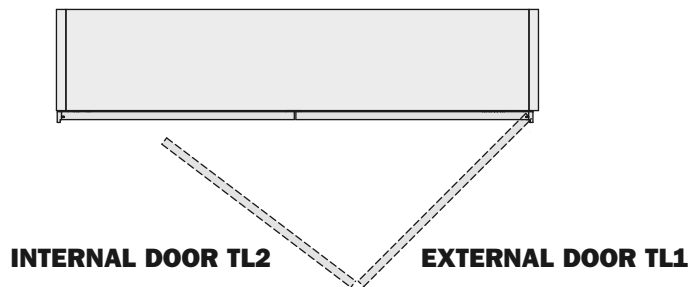
X	Y	Z
3	20.75	10.25
4	20.25	9.75
5	19.75	9.25

Folder 180 • BASE - CONECTA HINGES

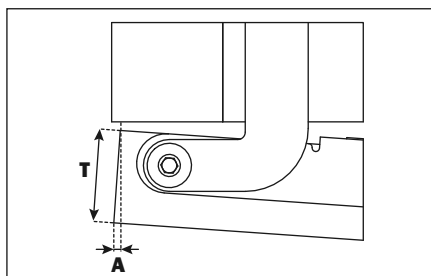
Space required to accommodate the system and position of the CONECTA HINGES



HA = Door height

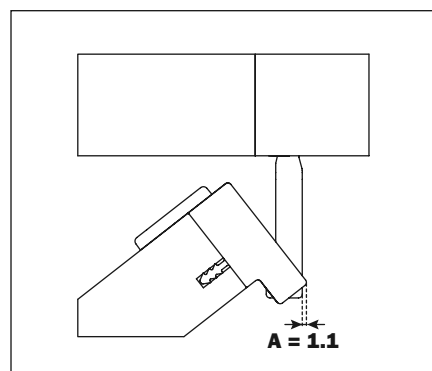


Reveal required for the opening of INTERNAL door TL2 for wooden door

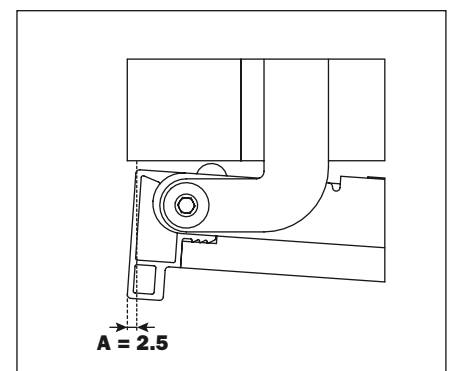


Door thickness T	Space needed to open the door A
18 mm	1.7 mm
25 mm	2.3 mm

Reveal required for the opening of EXTERNAL door TL1 for wooden door with profile VE79KITE710_A and glass door with aluminium profile VE79KITE700_A



Reveal required for the opening of INTERNAL door TL2 for wooden door with profile VE79KITE710_A and glass door with aluminium profile VE79KITE700_A



Folder 180 • BASE - CONECTA HINGES

Workings on cabinet side with CONECTA HINGES

Holder DQG5B

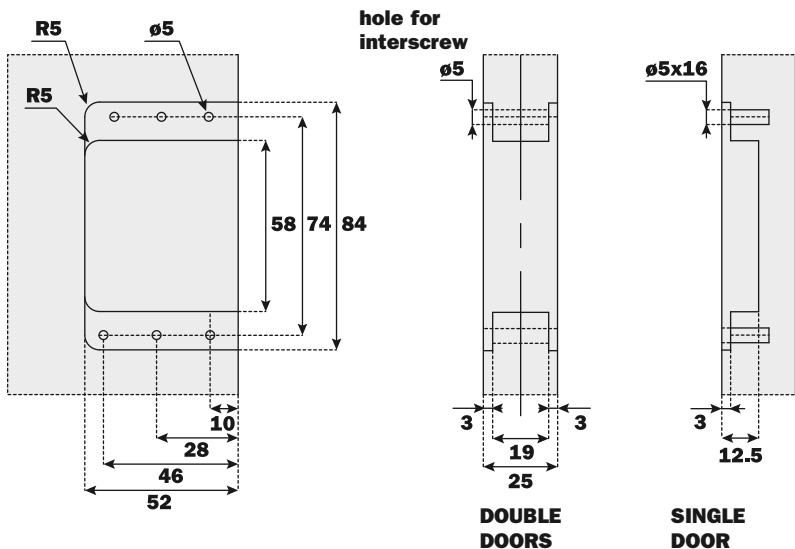


- For single door
- For double doors and side thickness 25 mm

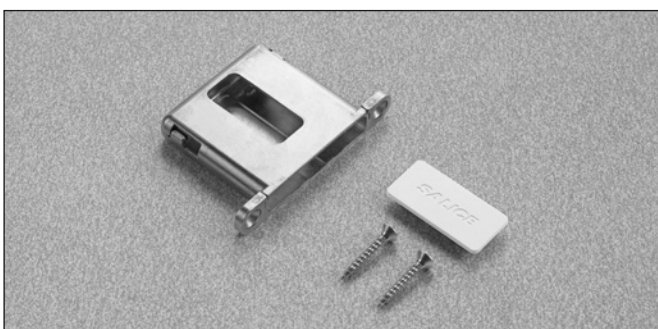
To be screw-fixed on the cabinet side:

- For single door with Euro screws, drilling $\varnothing 5 \times 16$ mm
- For double doors with $\varnothing 5$ mm interscrews
- Fixing screws and cover caps included in the single packing
- Fixing screws included in the industrial packing

- Door overlay on side hinged side **D1 = 10 mm**



Holder DQG3B

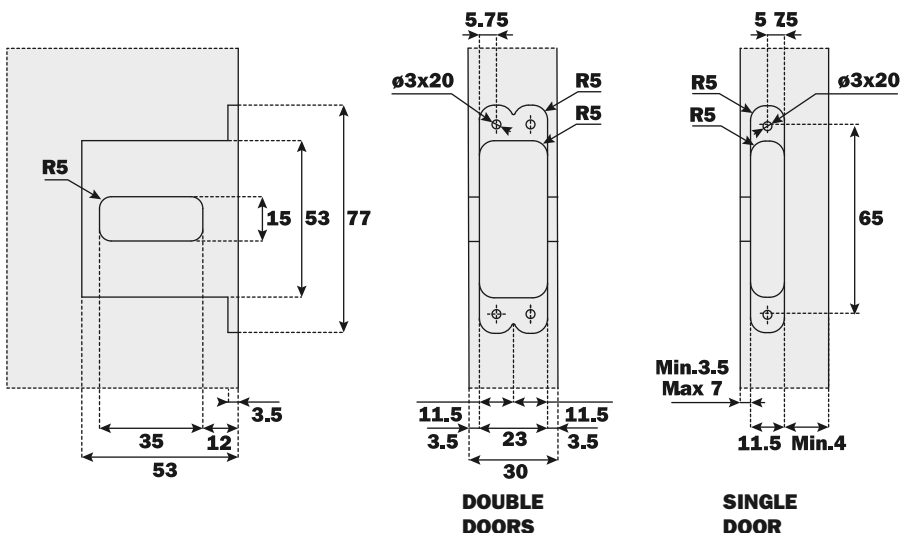


- For single door
- For double doors and side thickness 30 mm

To be screw-fixed on the cabinet side:

- For single door and double doors with $\varnothing 4 \times 25$ mm screws
- Fixing screws and cover caps included in the single packing
- Fixing screws included in the industrial packing

- Door overlay on side hinged side **D1 = see table**



Overlay D1 with single door

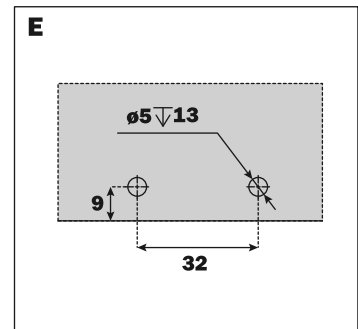
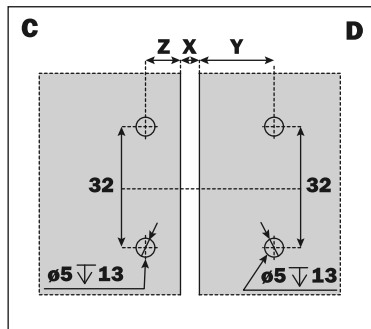
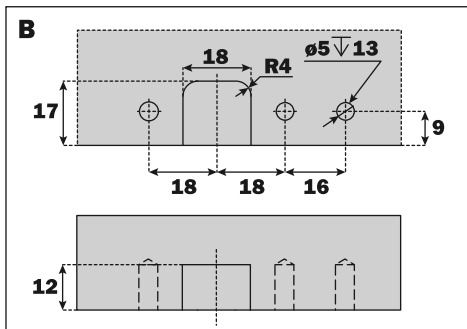
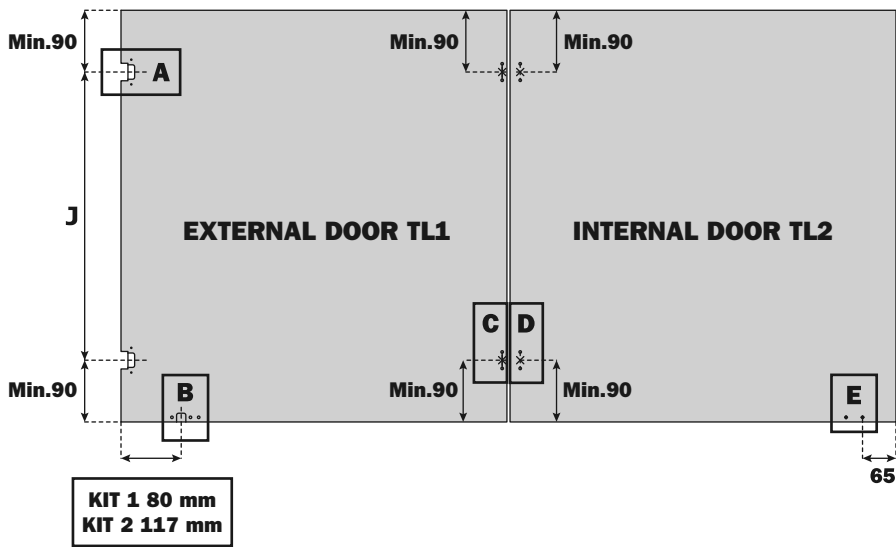
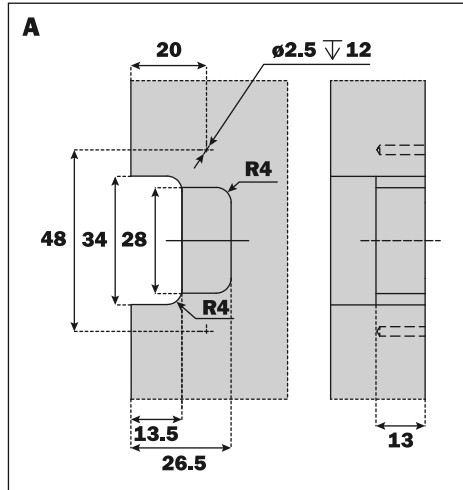
Workings position	Overlay D1	Side thickness Min.
3.5 mm	12.5 mm	19 mm
4.5 mm	13.5 mm	20 mm
5.5 mm	14.5 mm	21 mm
6.5 mm	15.5 mm	22 mm
7 mm Max.	16 mm	22.5 mm

Folder 180 • BASE - CONECTA HINGES

Workings on wooden doors without aluminium profile VE79KITE710_A with CONECTA HINGES

Drillings for right-hand opening system.

If more than two hinges are needed, distribute workings A, C and D equally in size J.



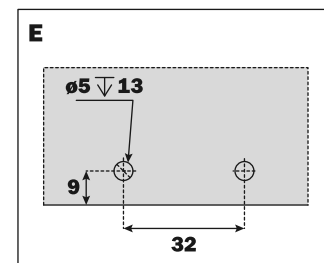
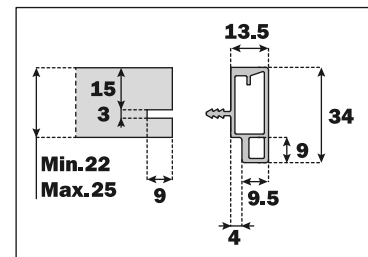
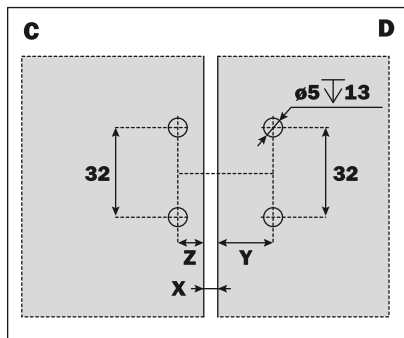
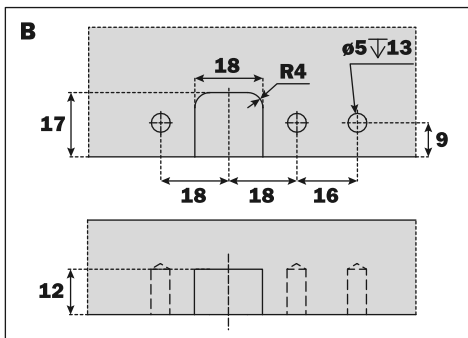
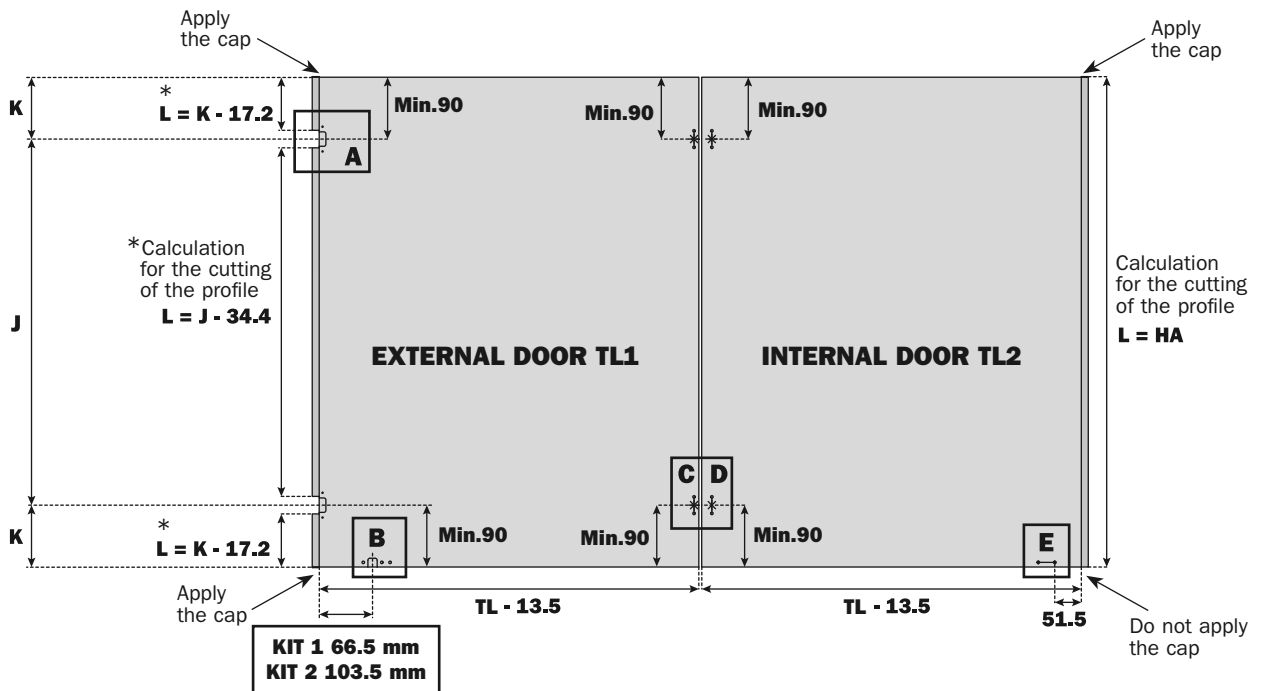
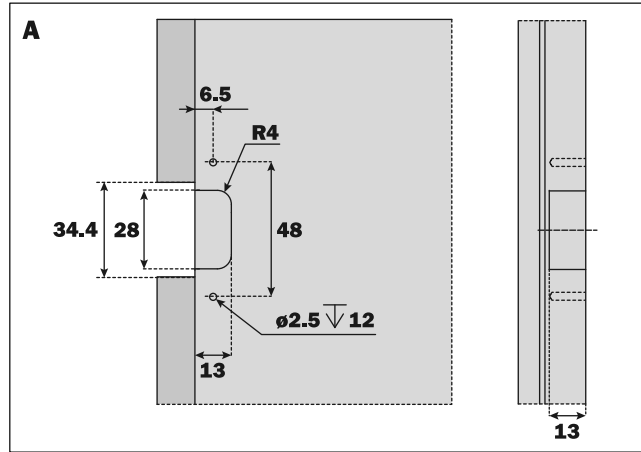
X	Y	Z
3	20.75	10.25
4	20.25	9.75
5	19.75	9.25

Folder 180 • BASE - CONECTA HINGES

Workings on wooden doors with aluminium profile VE79KITE710_A with CONECTA HINGES

Drillings for right-hand opening system.

If more than two hinges are needed, distribute workings A, C and D equally in size J.



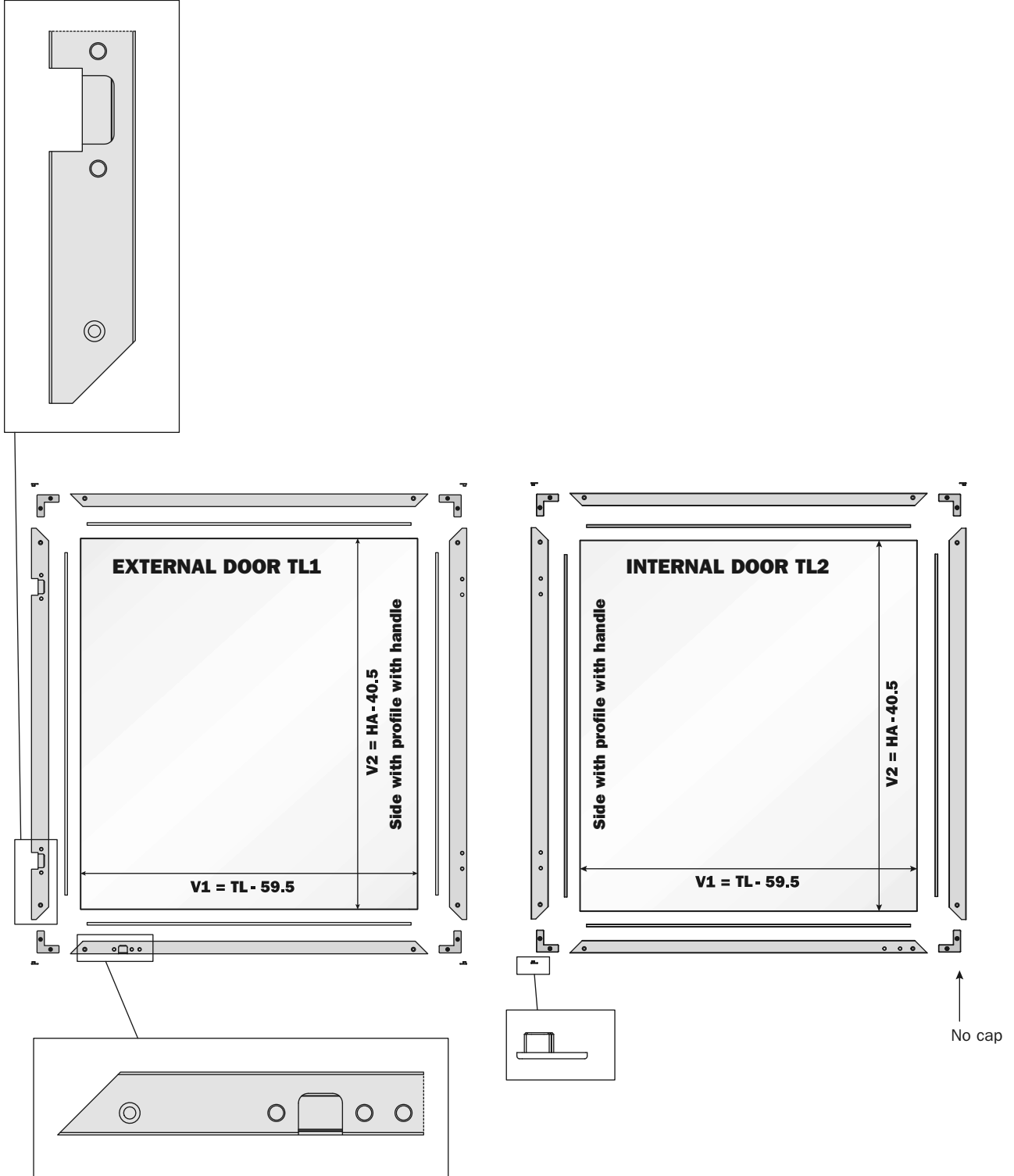
X	Y	Z
3	20.75	10.25
4	20.25	9.75
5	19.75	9.25



Folder 180 • BASE - CONECTA HINGES

Assembly of aluminium-framed doors

For the assembly sequence of aluminium-framed doors, see the DOOR WORKING SPECIFICATIONS manual included in the package.



Glass sizing

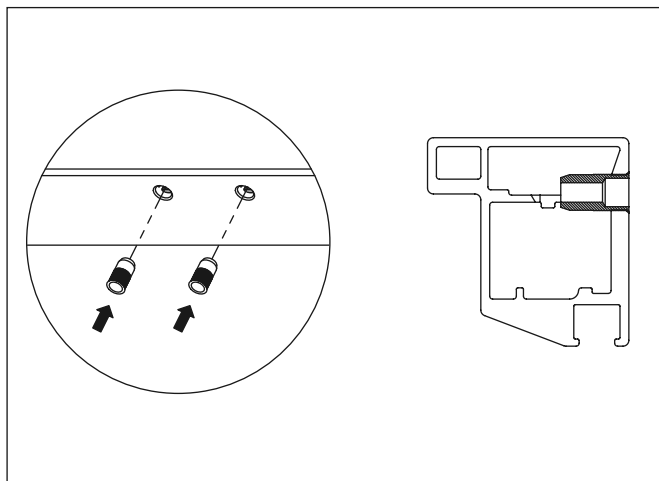
V1 = Glass width
V2 = Glass height

TL = Door width
HA = Door height

Tightening of threaded bushes for M4 metric screws before fixing the hinges

Insertion of threaded bushes

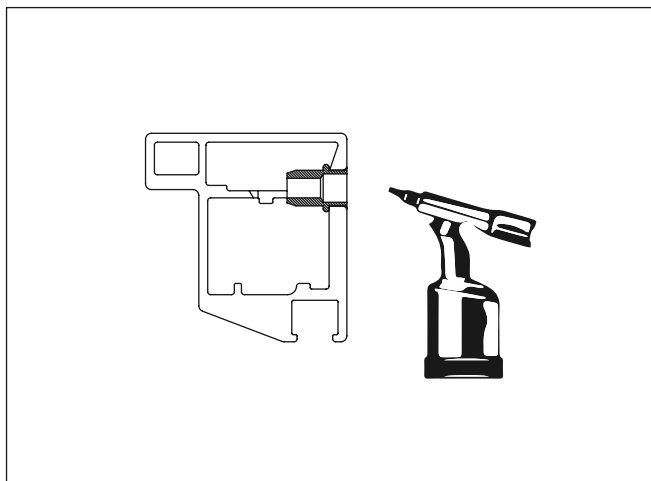
Insert the threaded bushes in the appropriate place



Fasten the threaded bushes to the frame using a riveting tool.

Check the tightness of the threaded bushes before fixing the hinges to the frame.

Remove and replace any threaded bushes not properly secured.

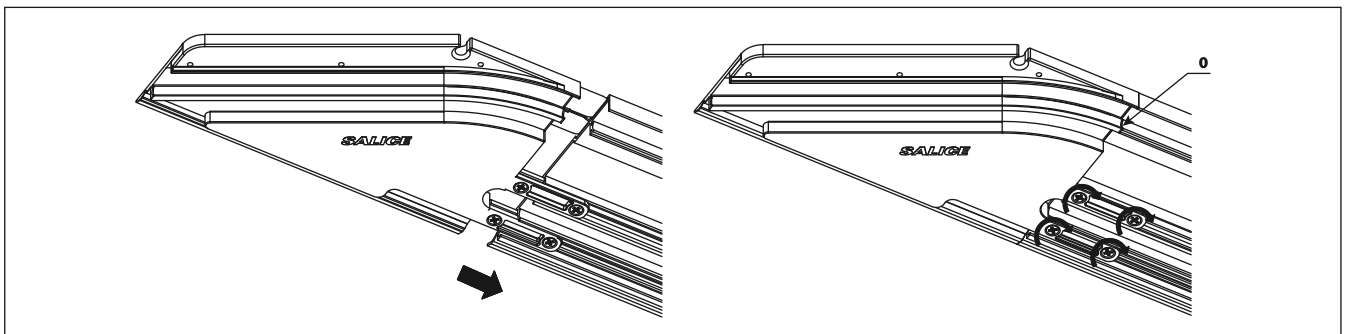
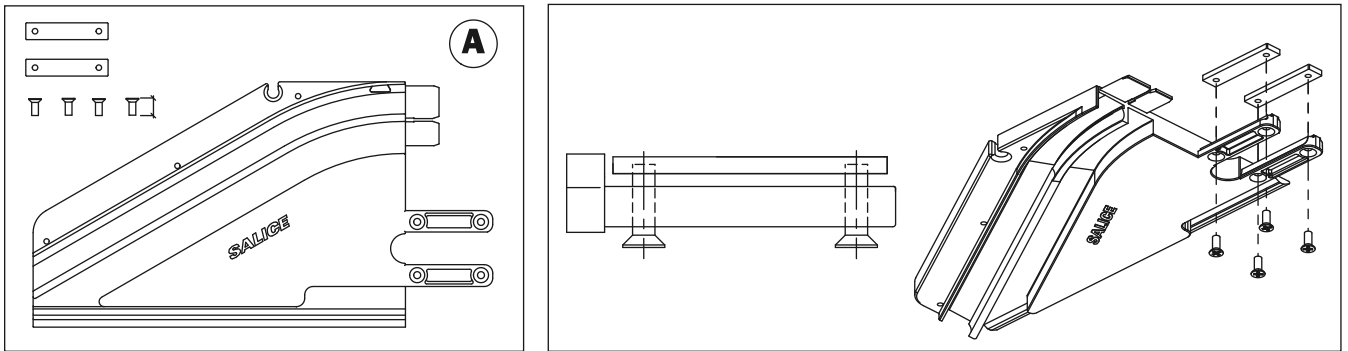




Folder 180 • BASE - Preparation of system

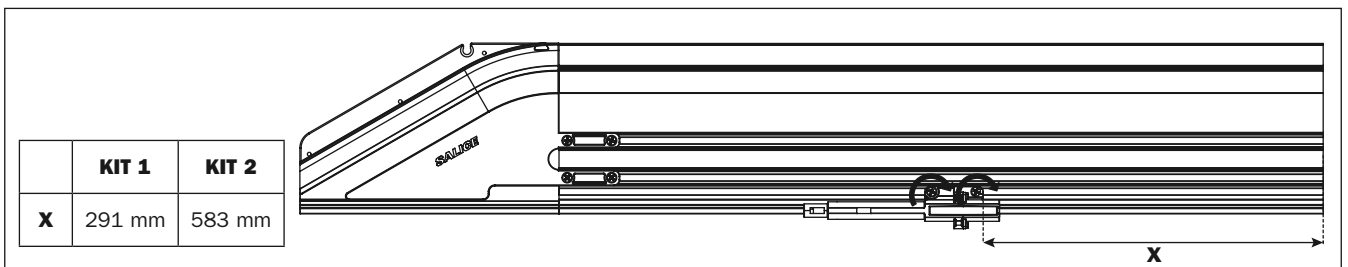
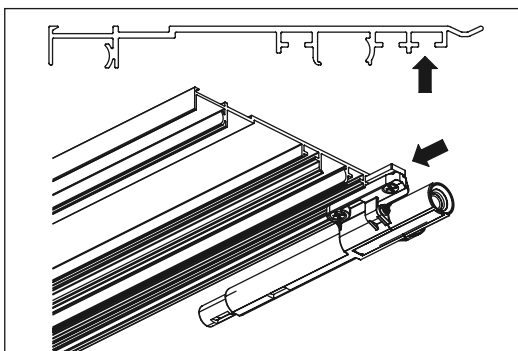
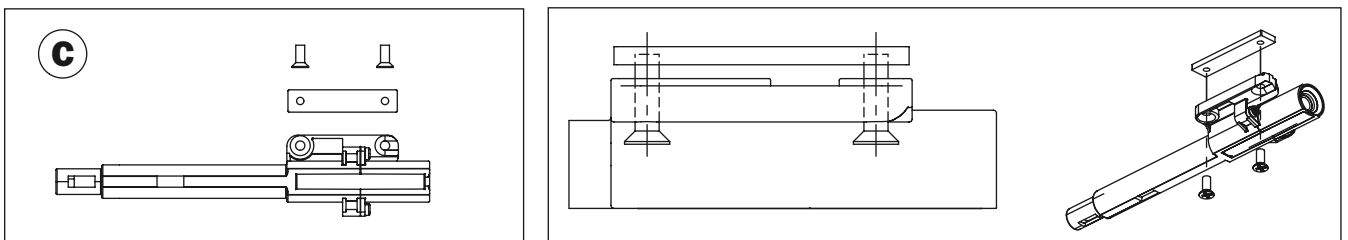
INTERNAL terminal

BAG A



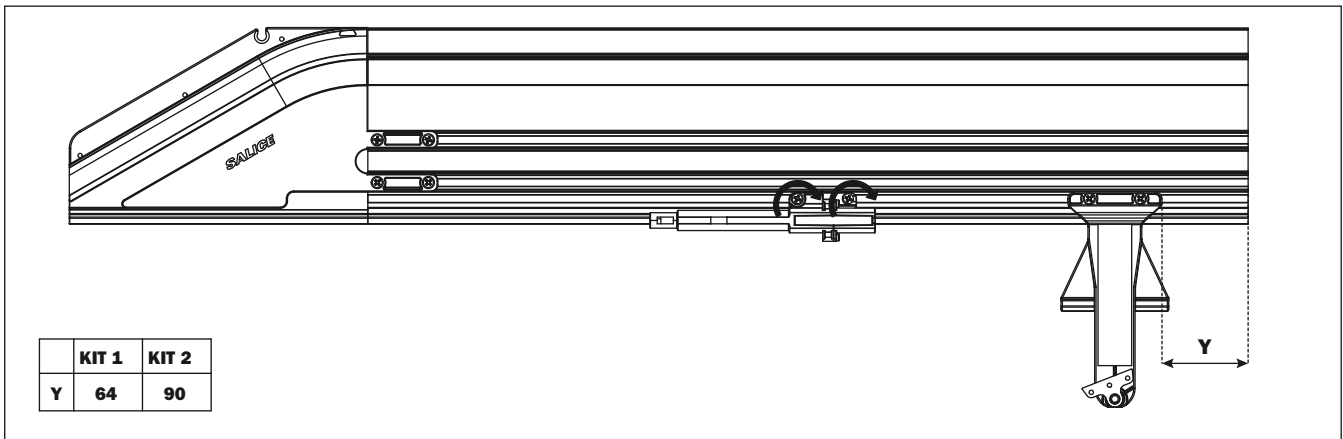
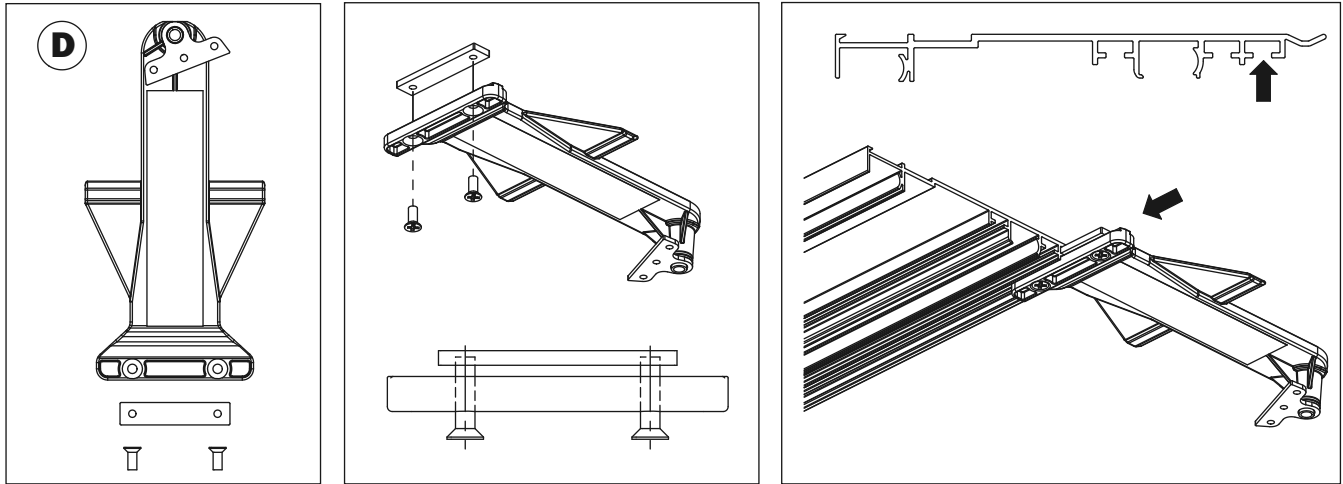
Prepare the central components of the system

BAG C



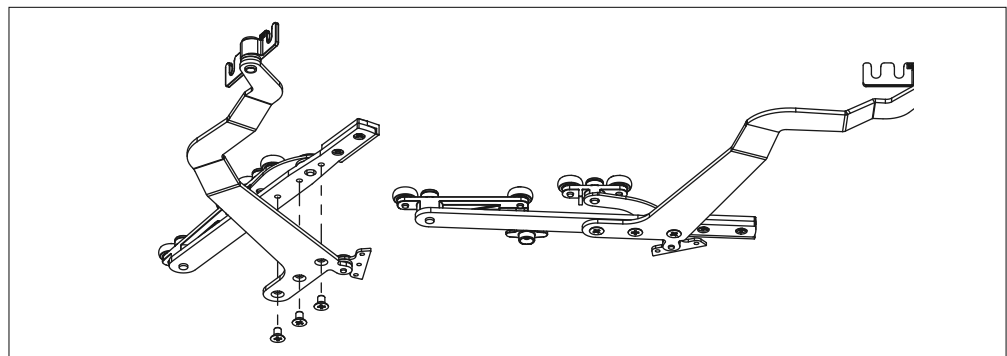
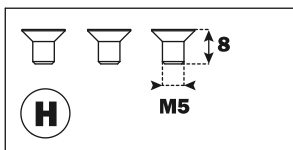


BAG D

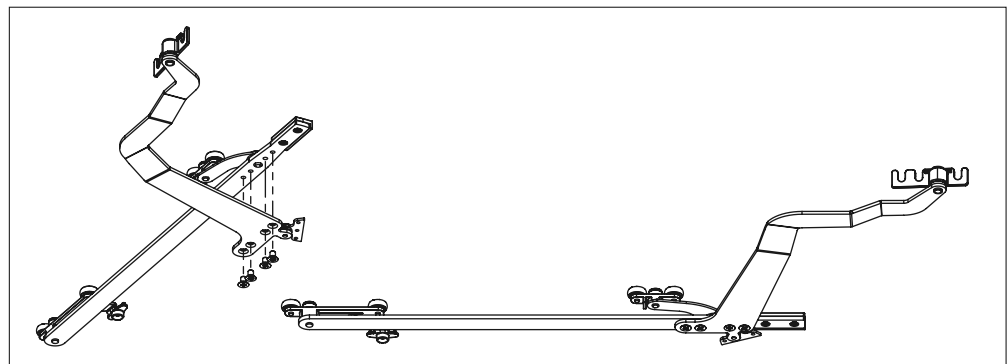
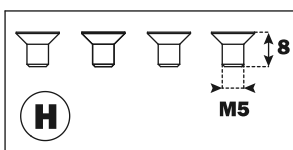


BAG H

KIT 1



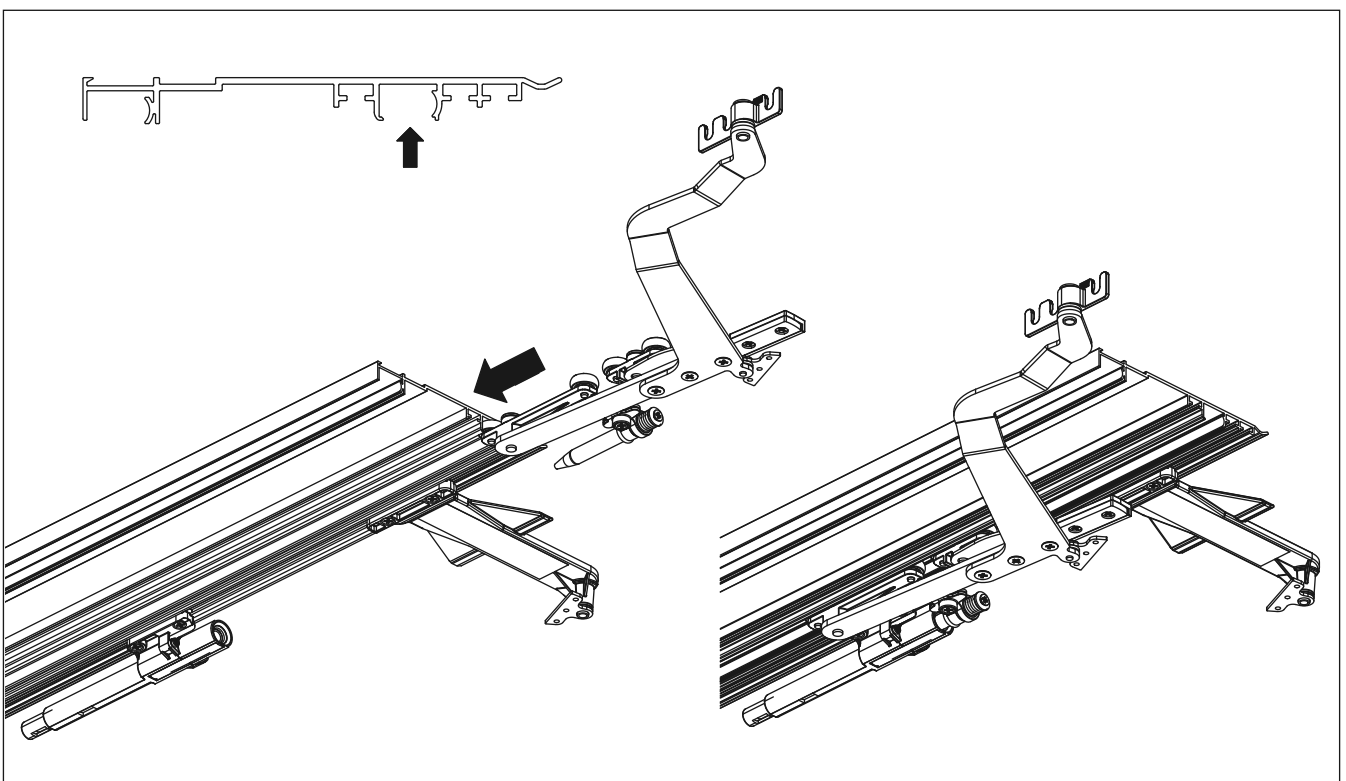
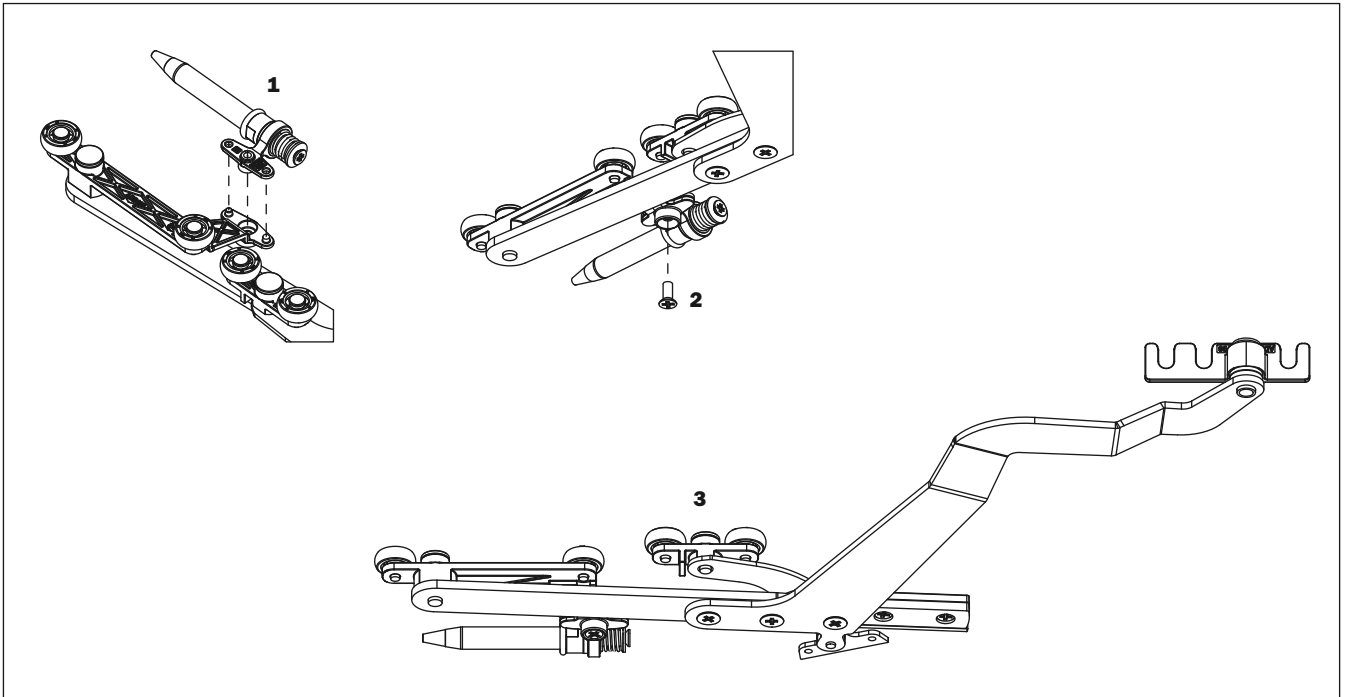
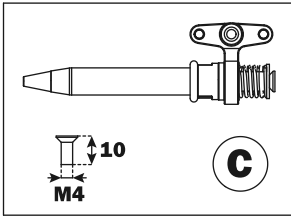
KIT 2





Folder 180 • BASE - Preparation of system

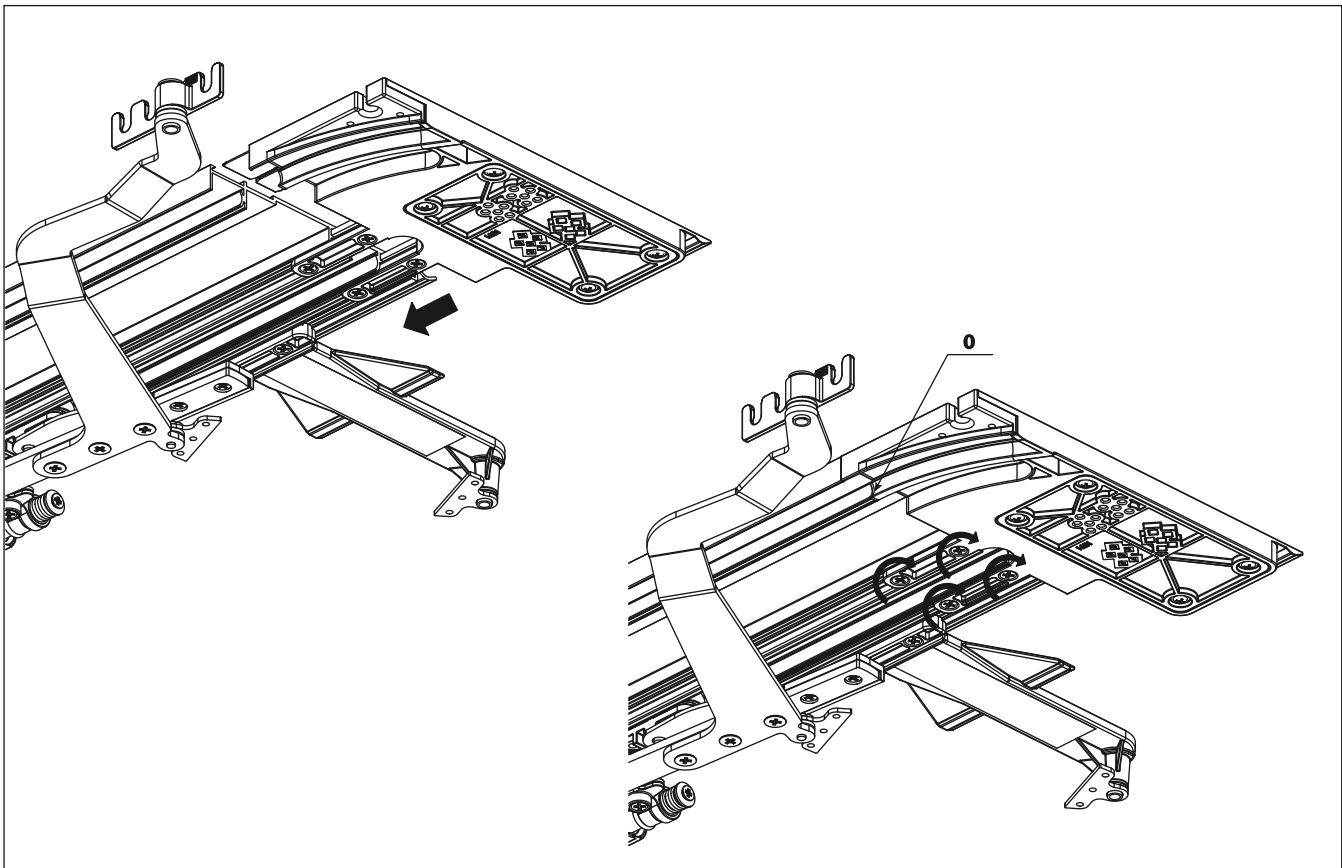
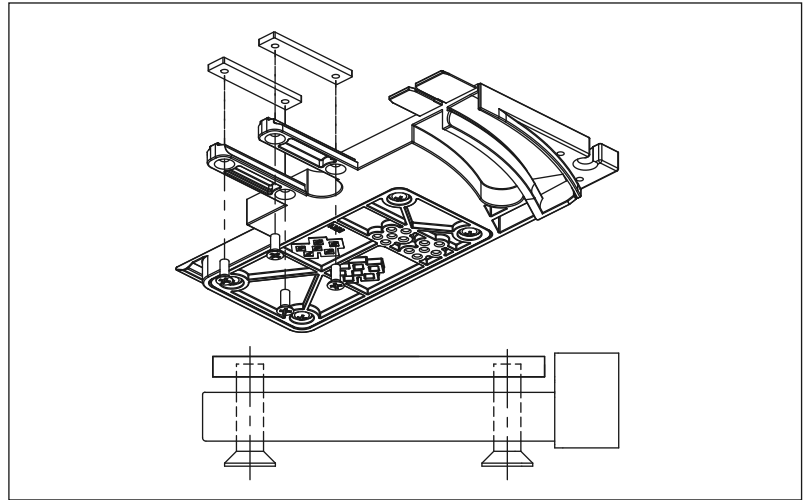
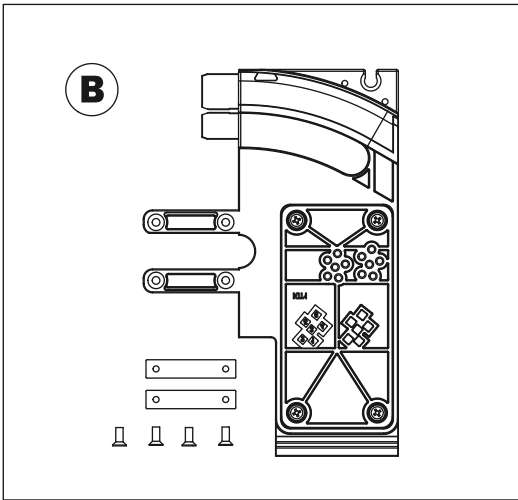
BAG C





EXTERNAL terminal

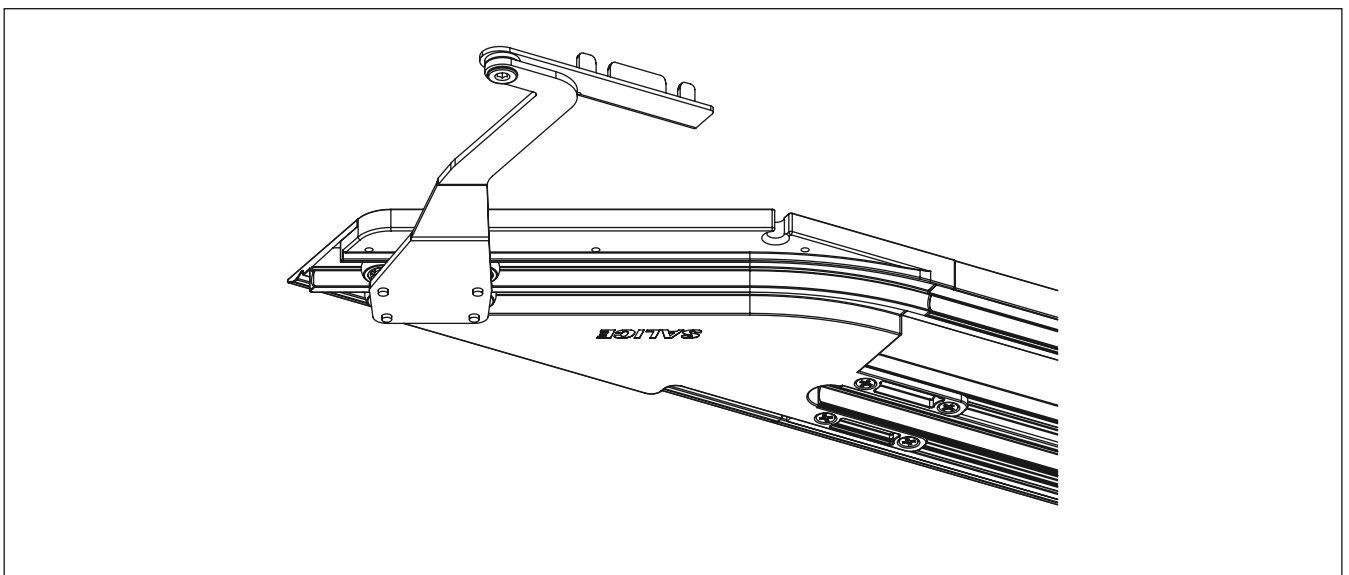
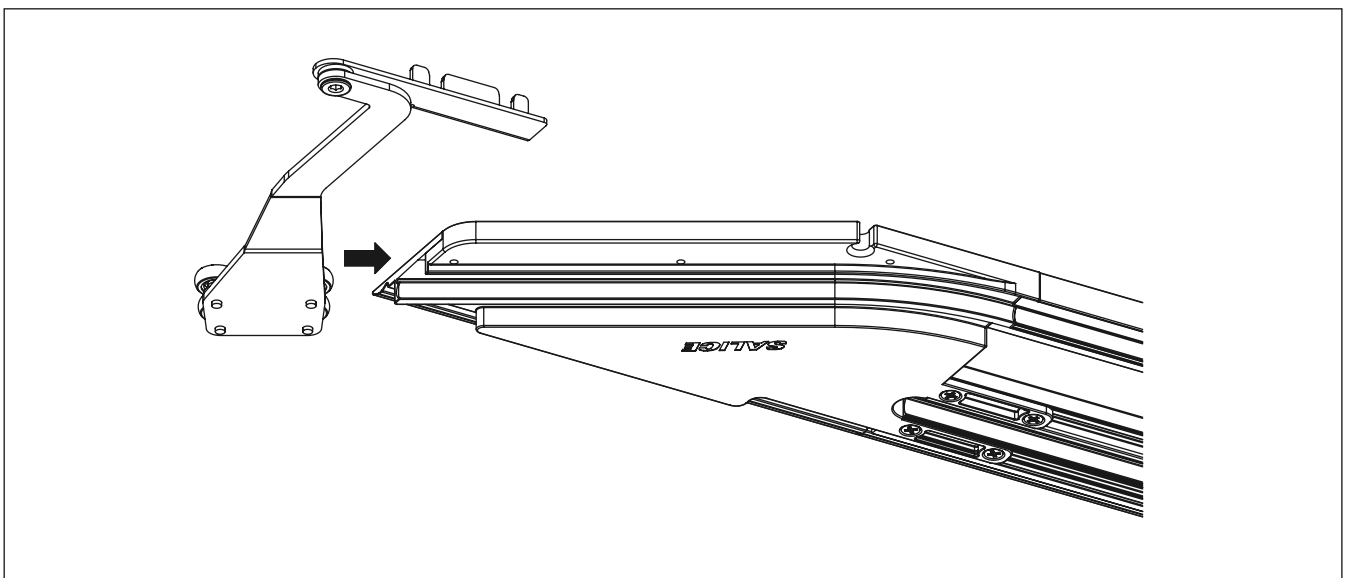
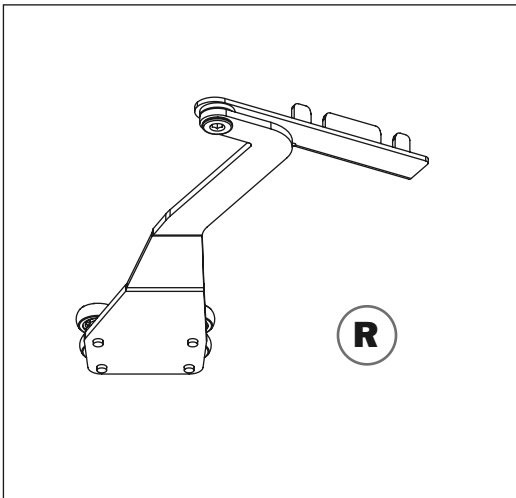
BAG B



Folder 180 • BASE - Preparation of system

Internal arm

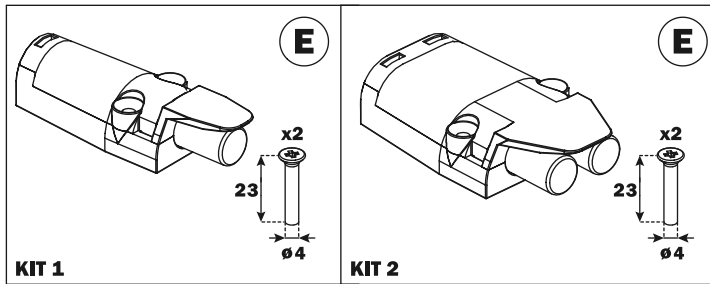
BAG R



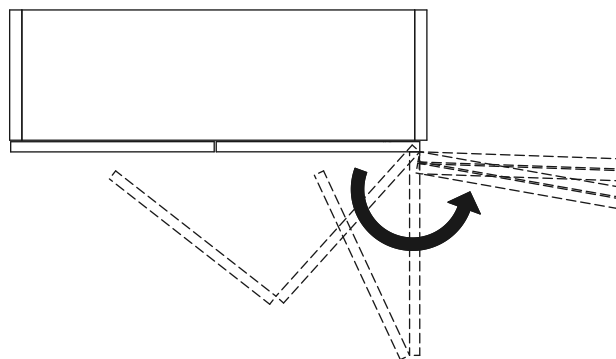
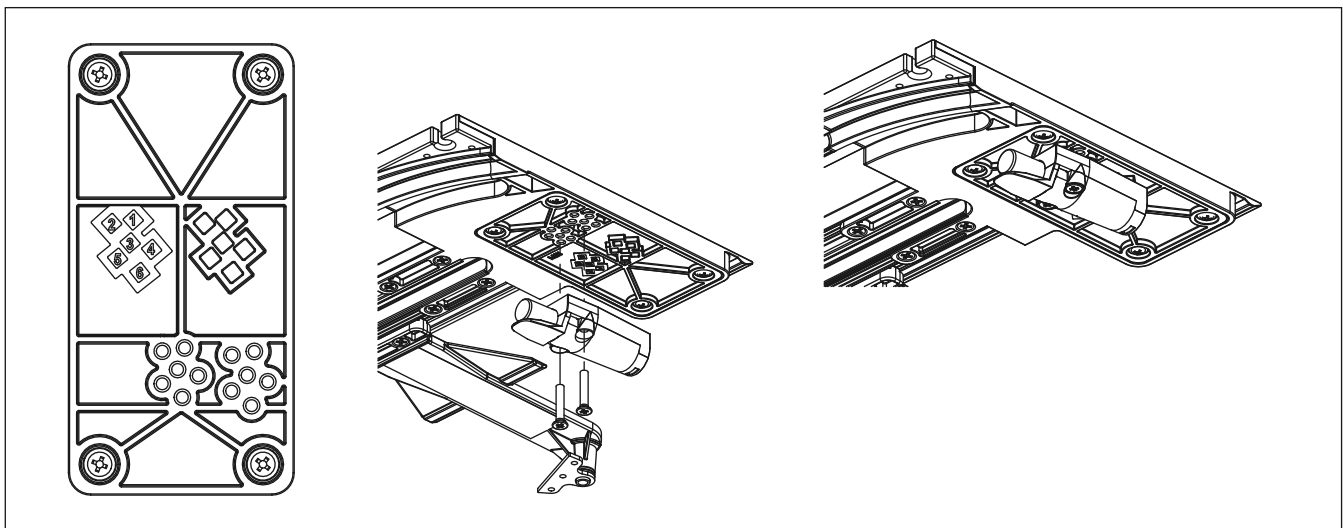


Folder 180 • BASE - Adjustment during assembly

Adjusting the door opening angle



To adjust the opening angle, mount the component E supplied on the outer terminal.
 Insert the pin underneath component E into one of the numbered slots on the outer terminal.
 Each number corresponds to an opening angle, see table.
 Once the pin is in place, secure it using the screws supplied.

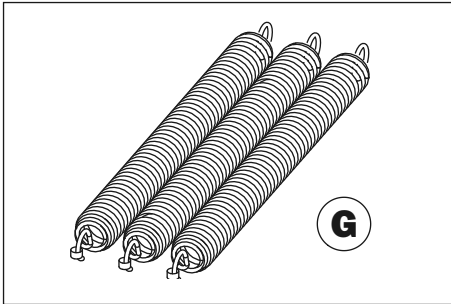


DOOR OPENING ANGLE			
HINGES	POSITION OF PIN	KIT 1 For doors with thickness between 350 mm and 500 mm	KIT 2 For wooden doors with thickness between 501 mm and 750 mm For aluminium doors with thickness between 501 mm and 600 mm
Series M	1	179°	179°
	2	177°	177°
	3	171°	173°
Conecta	4	178°	177°
	5	174°	173°
	6	170°	170°

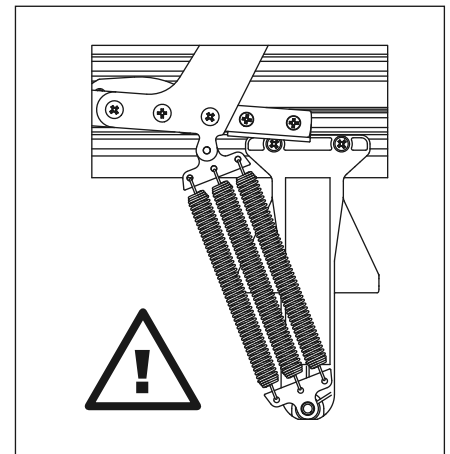
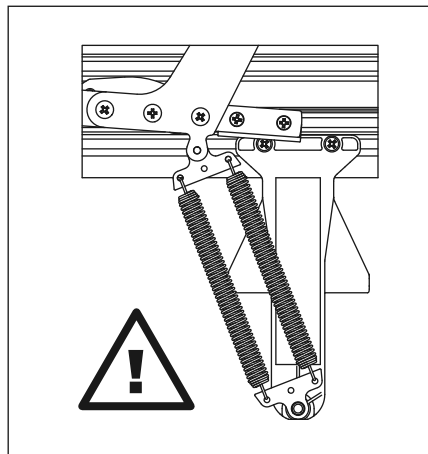
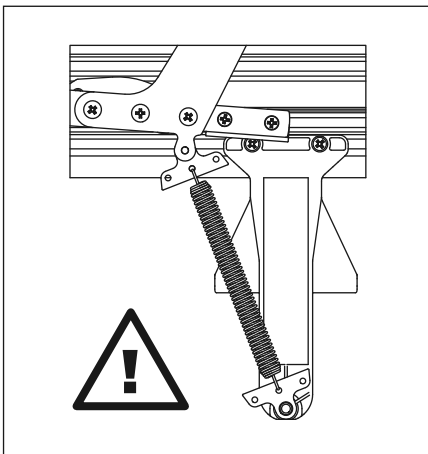
Folder 180 • BASE - Adjustment during assembly

Door speed adjustment

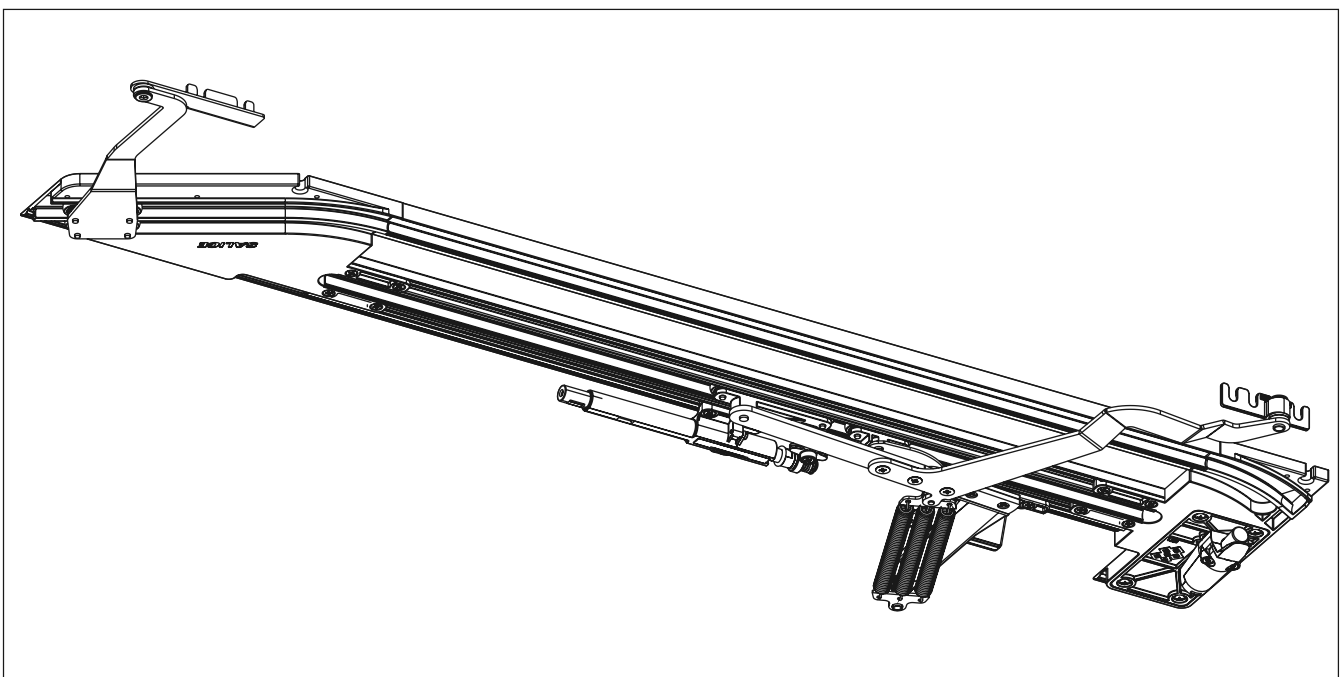
BAG G



To adjust the closing speed of the doors, use the springs as shown in the drawings



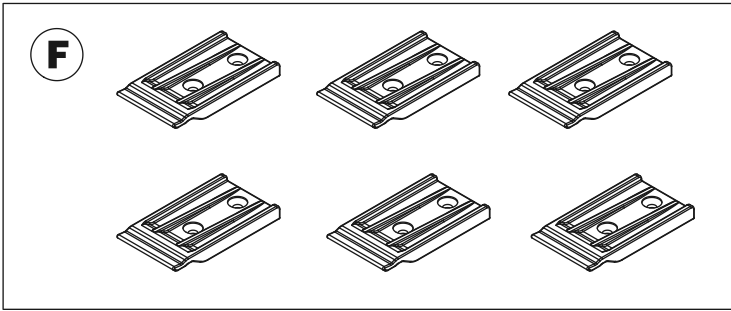
Fully assembled system



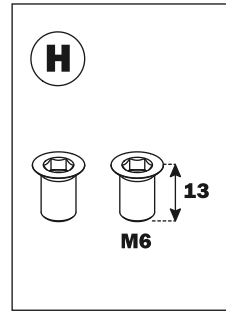


Folder 180 • BASE - Application of clips

BAG F

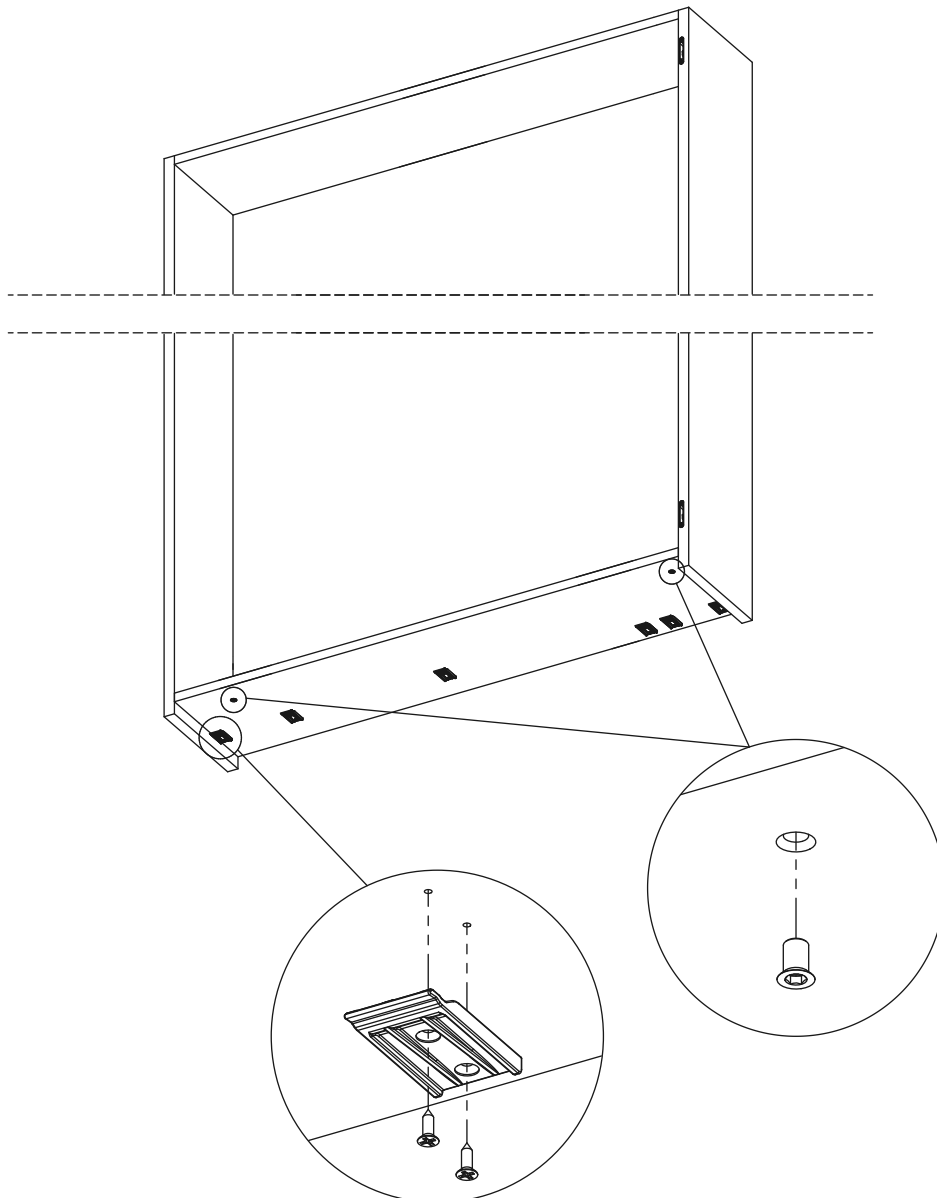


BAG H



Apply the clips using wooden screws. Screws not included.

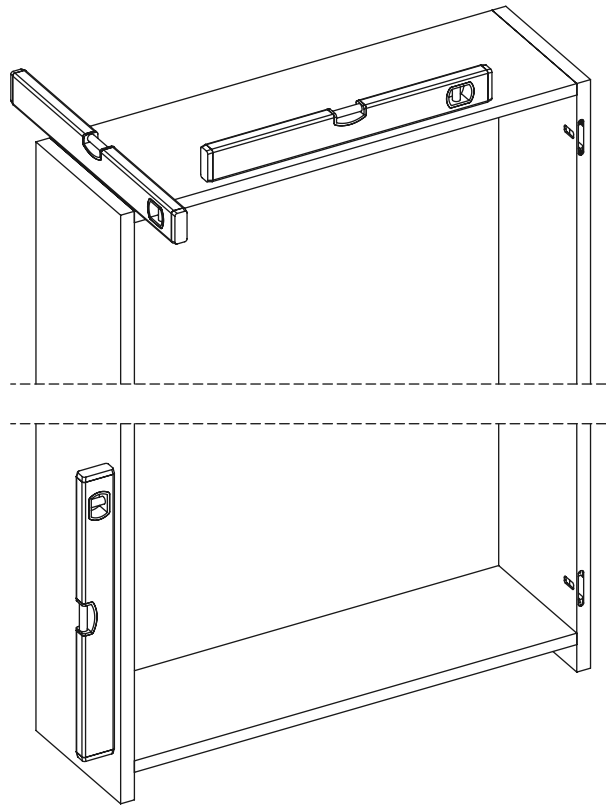
Insert the threaded bushes M6 supplied.





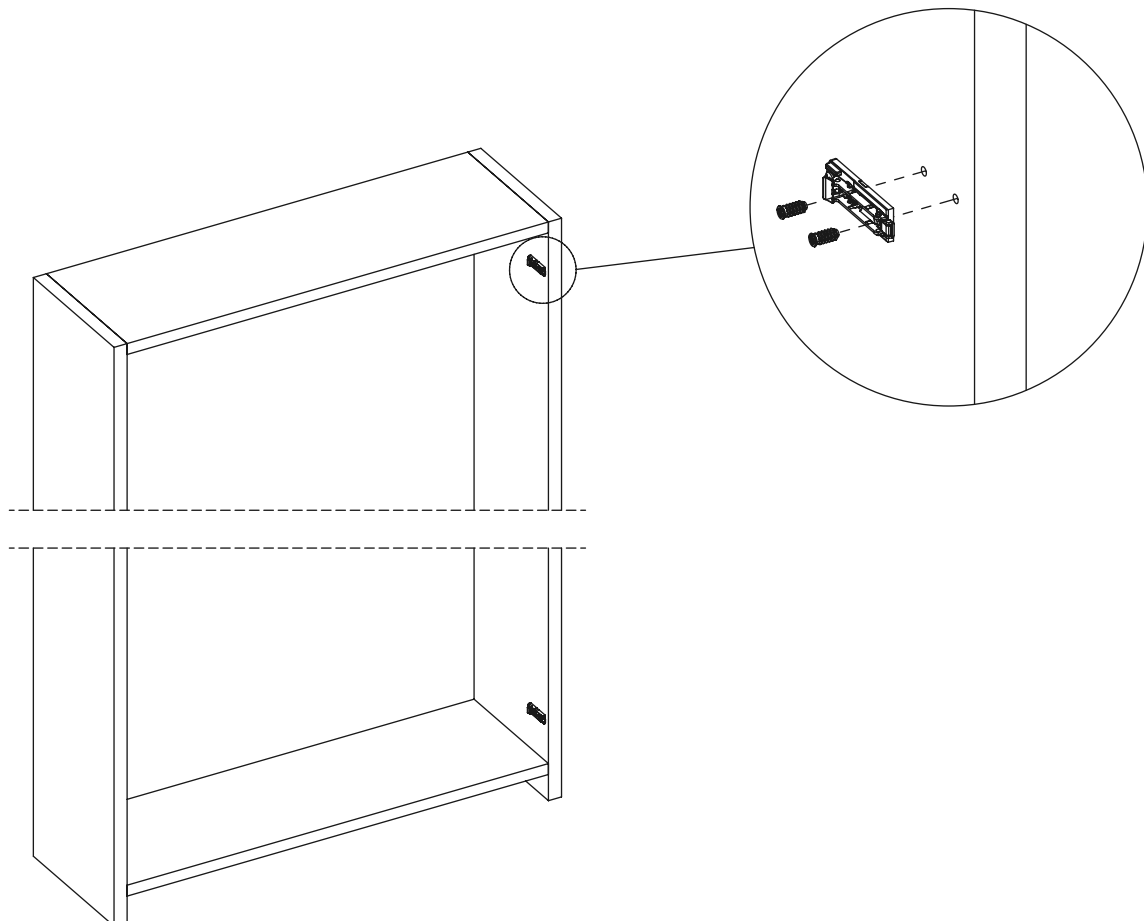
Folder 180 • BASE - Preparation of cabinet

Adjusting the cabinet



Use of SERIES M HINGES

Apply the mounting plate to the side of the cabinet

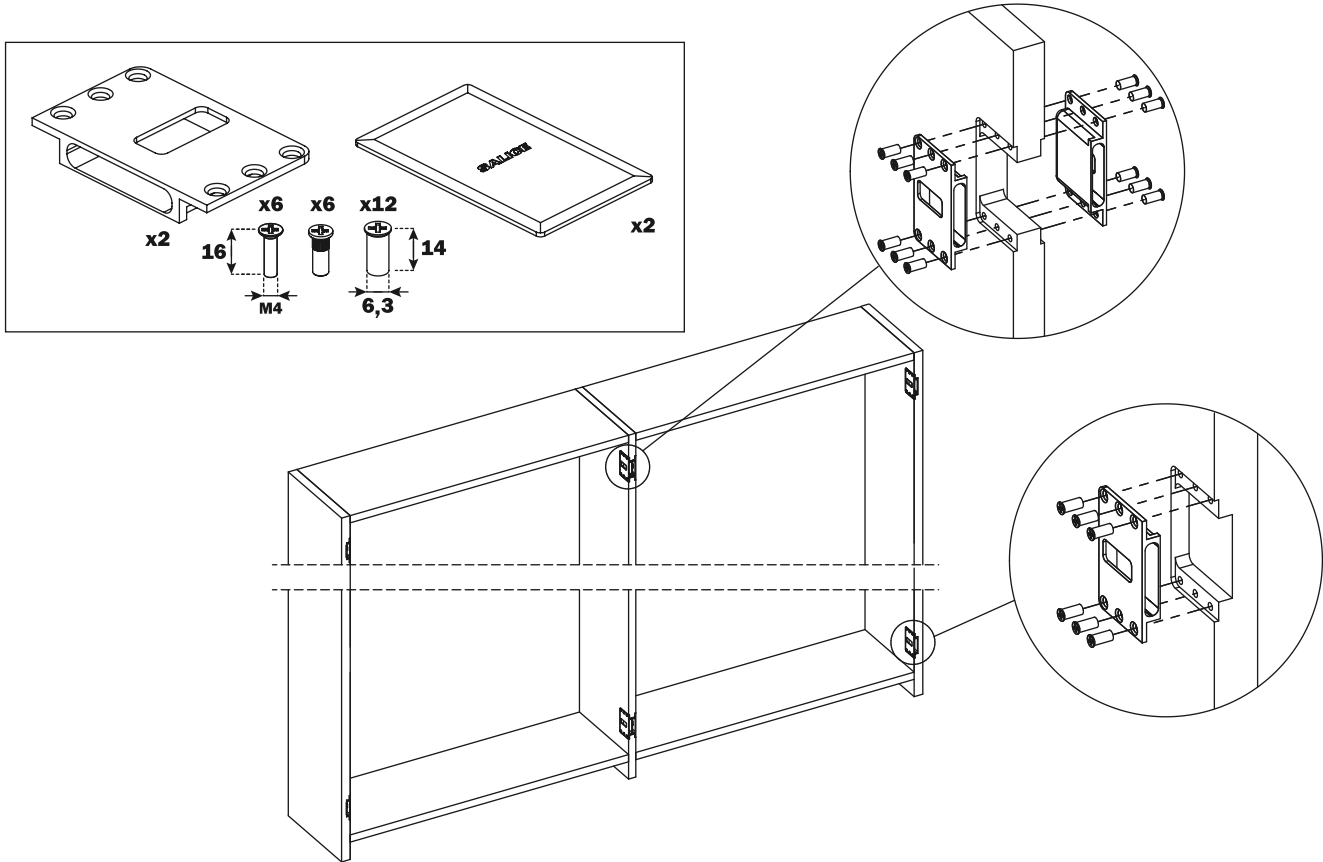




Folder 180 • BASE - Preparation of cabinet

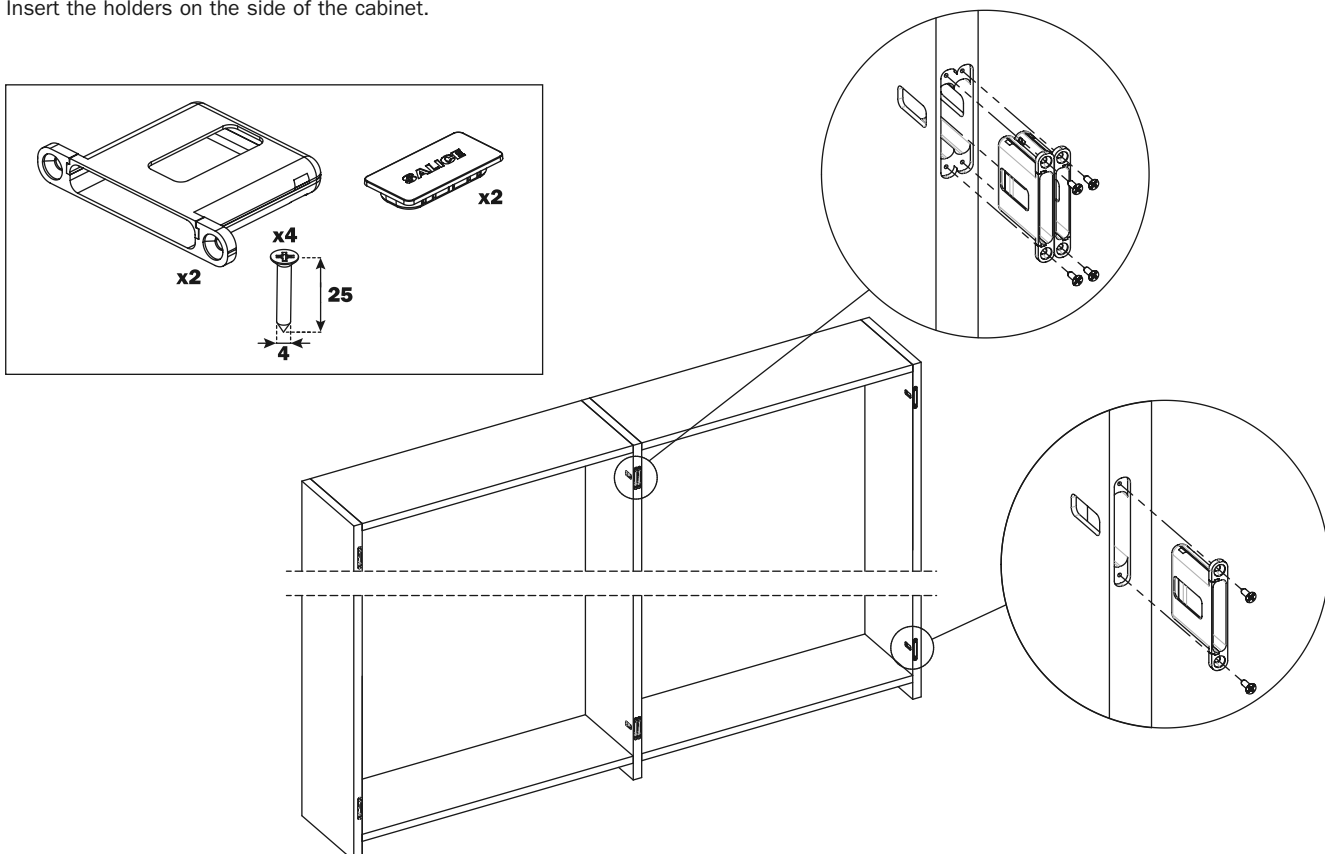
Use of CONECTA hinges with holder DQG5B

Insert the holders on the side of the cabinet. For double doors, use the interscrews supplied



Use of CONECTA hinges with holder DQG3B

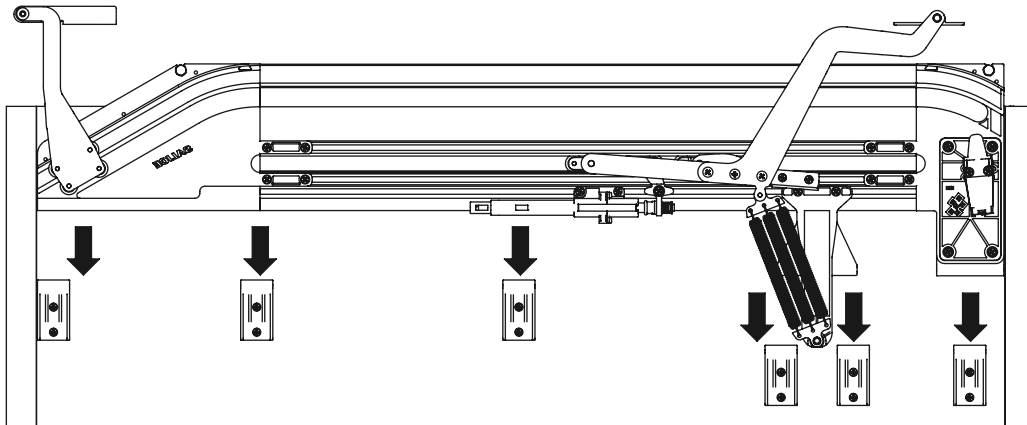
Insert the holders on the side of the cabinet.



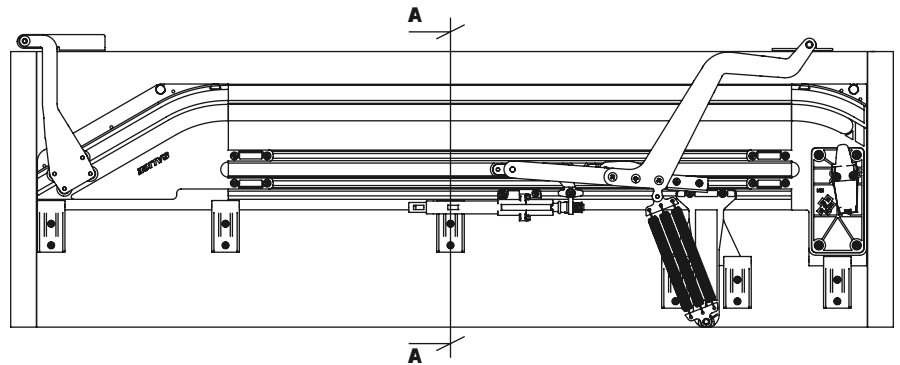
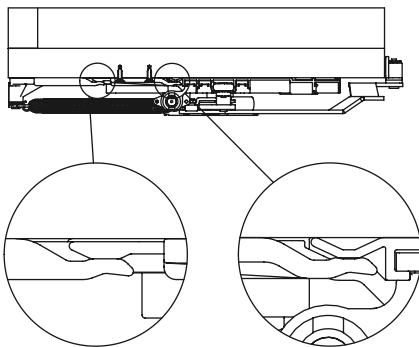


Folder 180 • BASE - System assembly

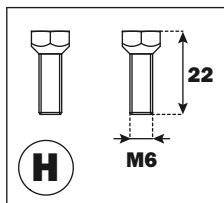
Insert the previously assembled system by sliding it in the direction indicated by the arrows until it engages in the clips.



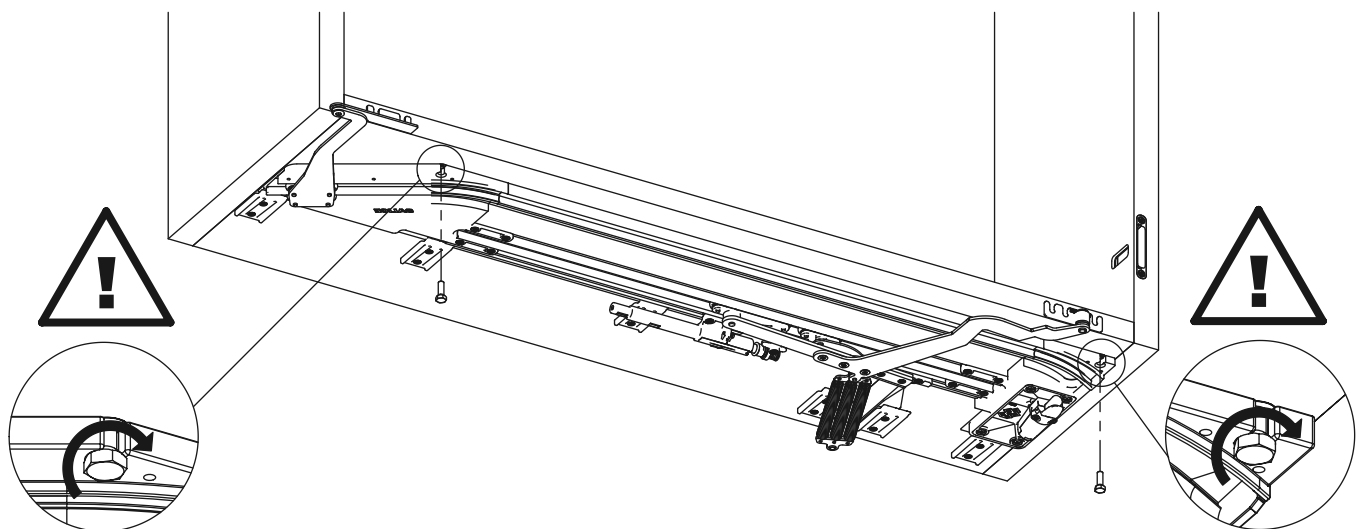
Section A - A



BAG H



Secure the system using the screws supplied



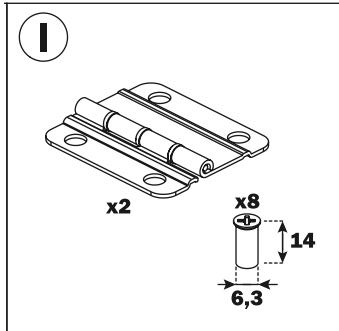


Folder 180 • BASE - Preparation of doors - Fixing of hinges

Prepare the doors for assembly on the cabinet
Fix the hinges on the previously drilled doors

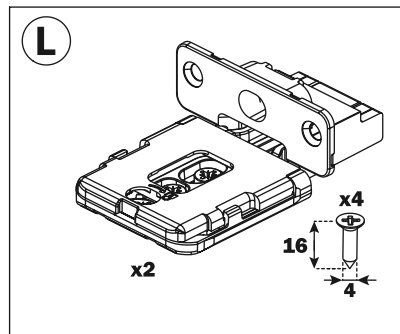
BAG I

Central hinges



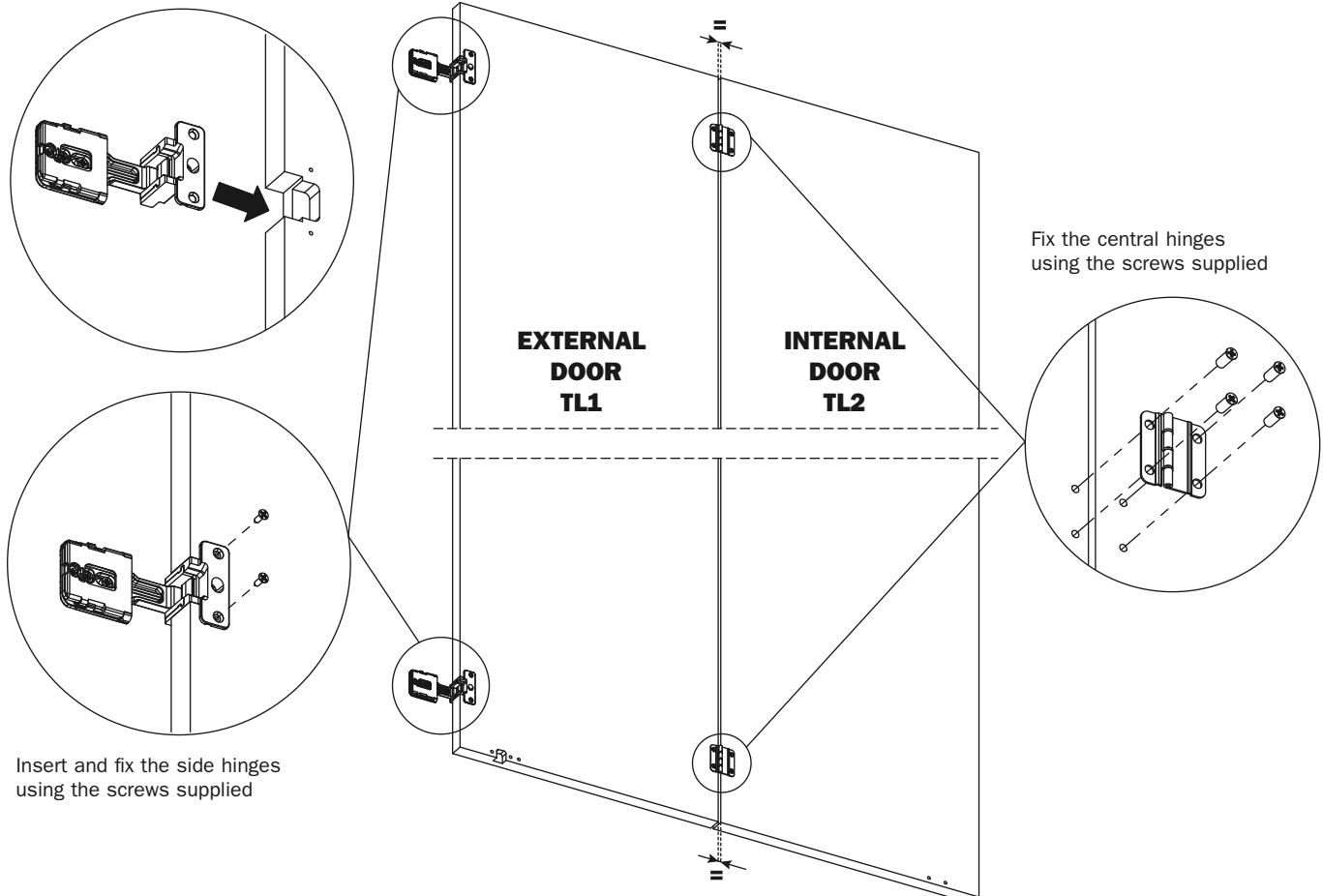
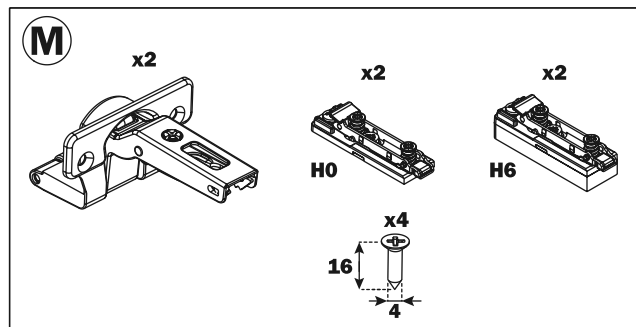
BAG L

CONECTA hinges



BAG M

SERIES M hinges

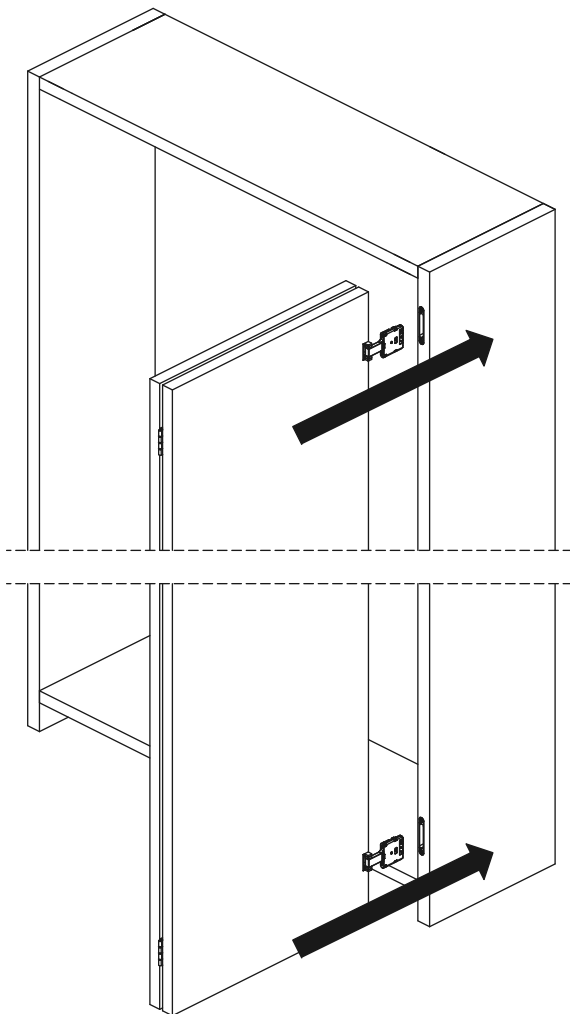




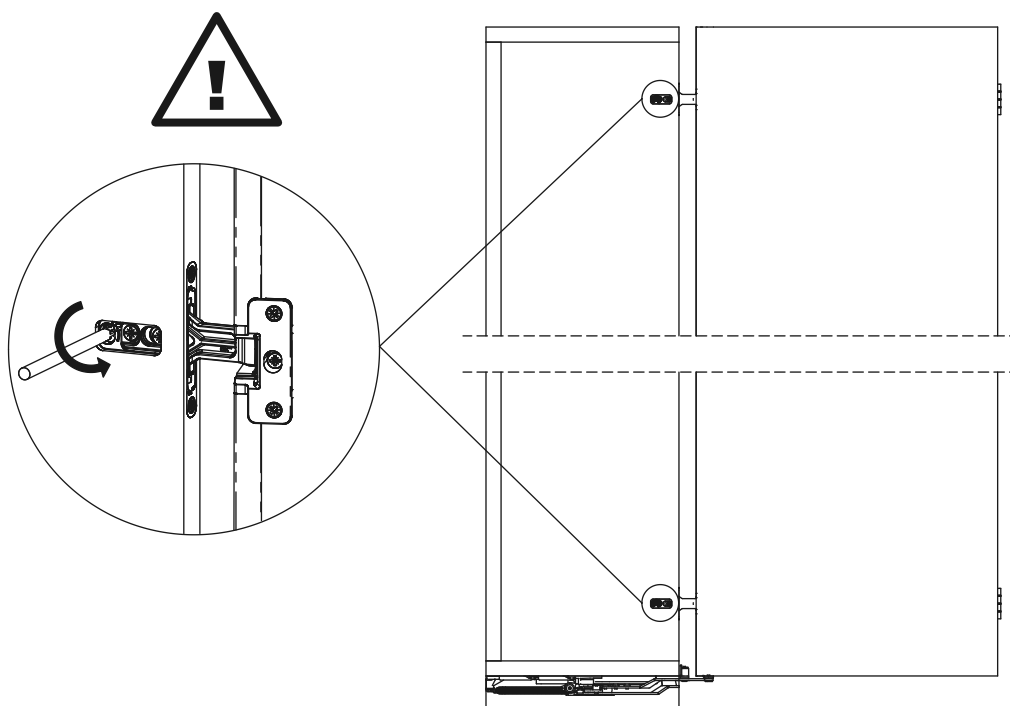
Folder 180 • BASE - Assembly of doors

Mount the doors on the cabinet:

- if using Conecta hinges, fully insert the hinges as indicated by the arrows
- if using Series M hinges, engage the hinges on the mounting plates

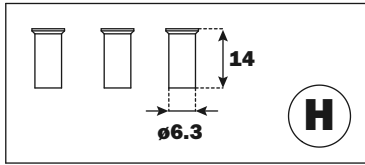


Once the hinges have been fully inserted, lock the hinges using the rear eccentric screw.



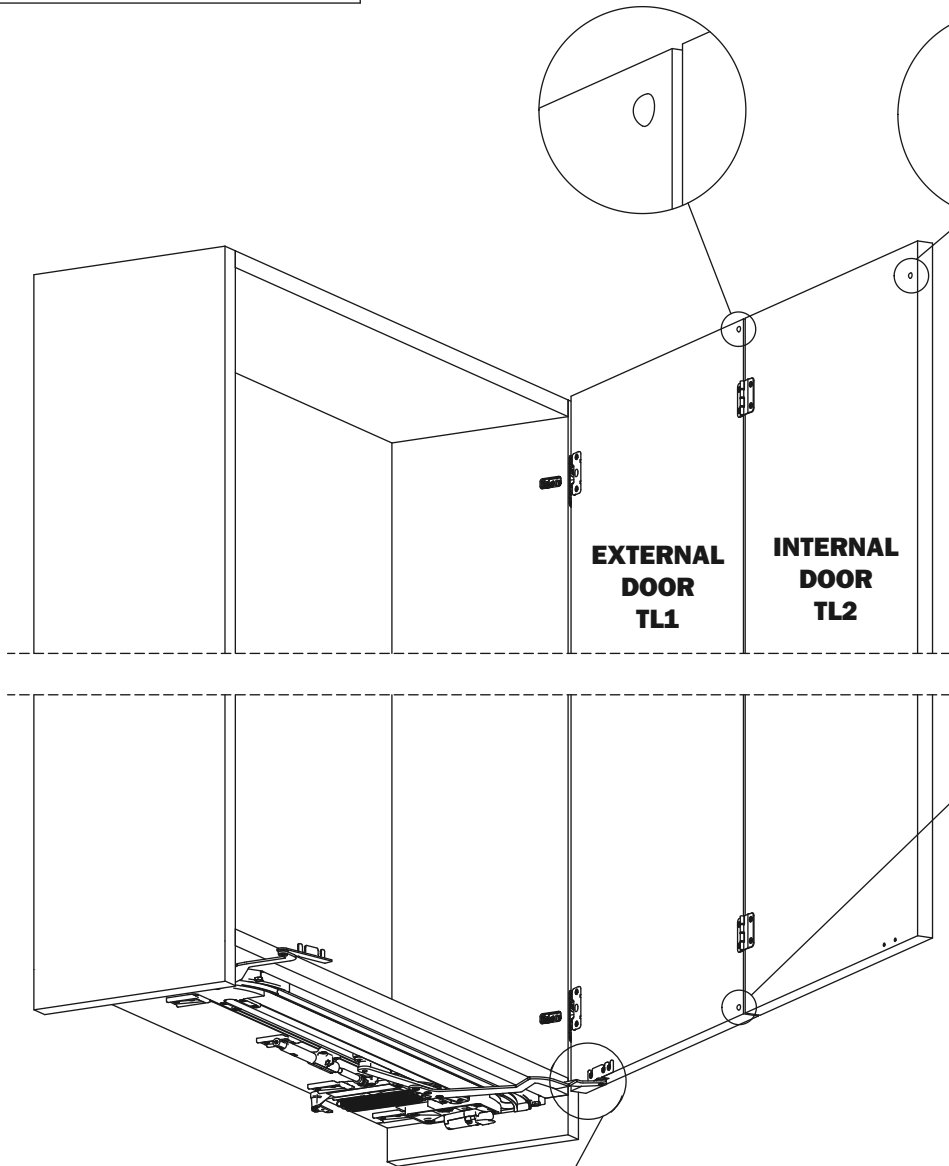
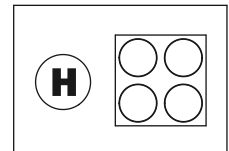


BAG H

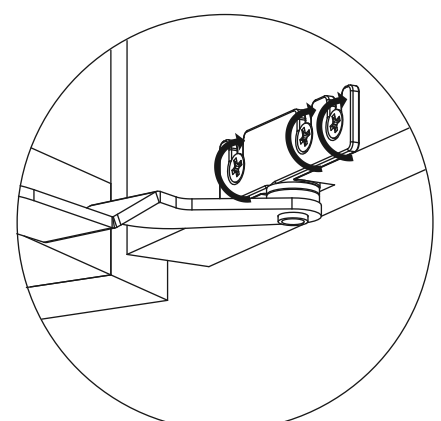
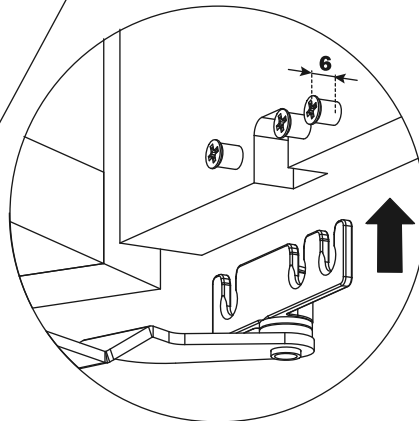
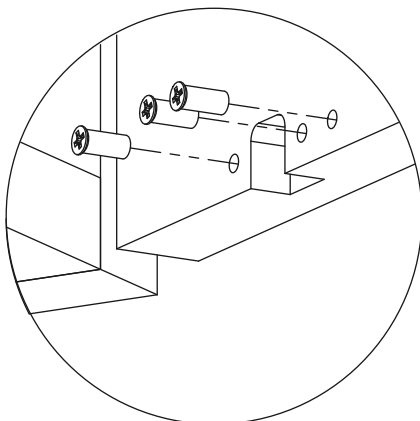


Apply the rubber bumpers supplied to the doors

BAG H



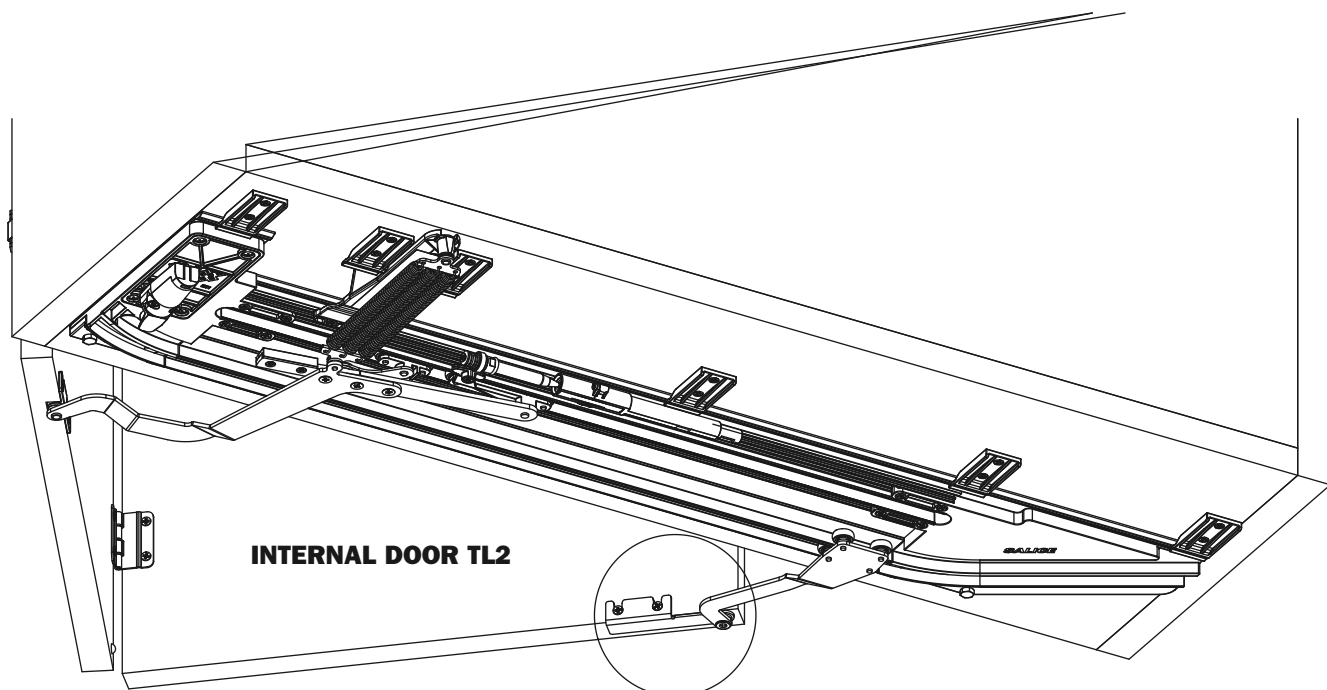
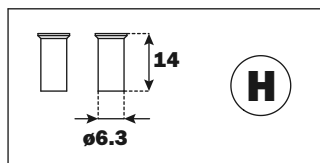
Engage the external arm to the EXTERNAL door TL1 using the screws supplied





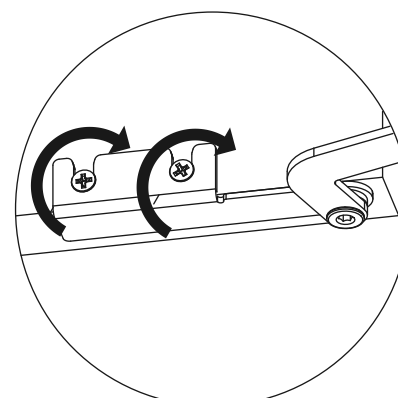
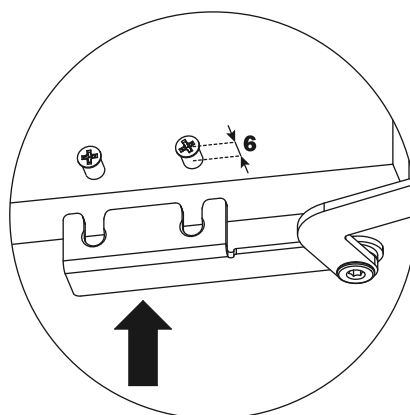
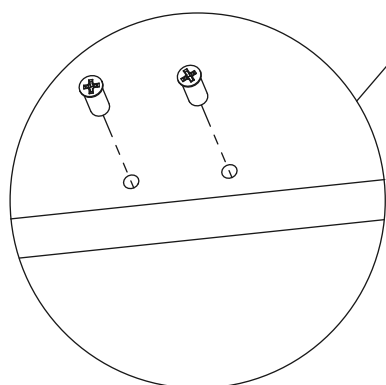
Folder 180 • BASE - Assembly of doors

BAG H



INTERNAL DOOR TL2

Engage the internal arm to the INTERNAL door TL2 using the screws supplied



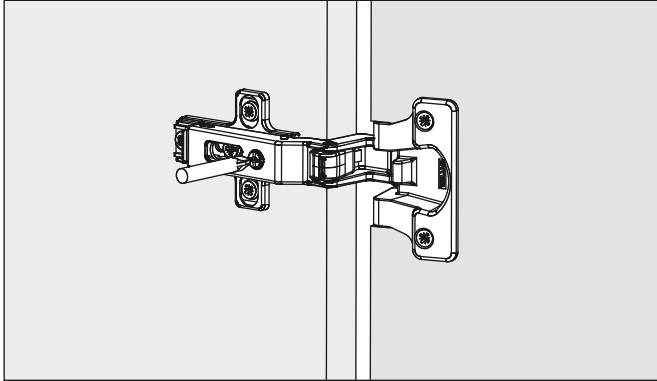


Folder 180 • BASE - Adjustments

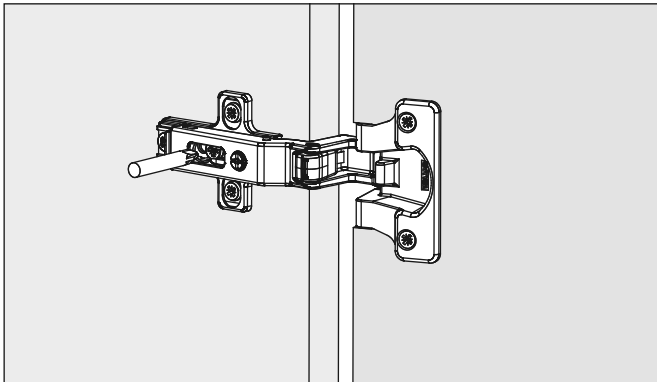
SERIES M HINGES

Compensating sideways adjustment from -3 to +3 mm.

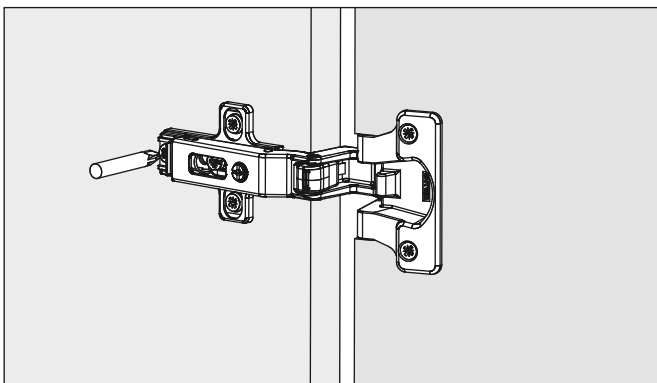
With mounting plates H = 0 the negative sideways adjustment cannot be used.

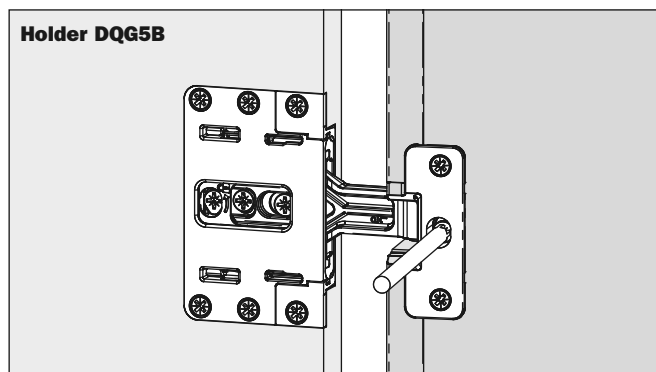
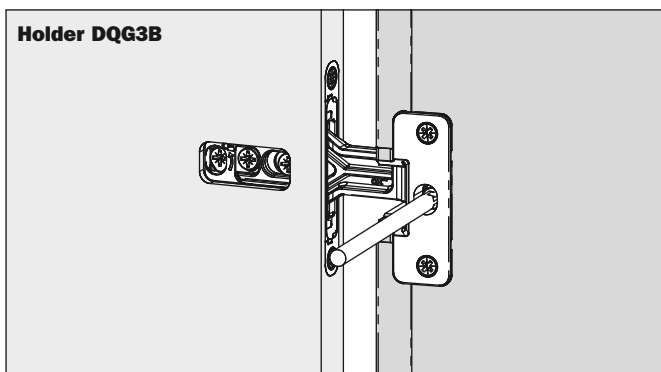
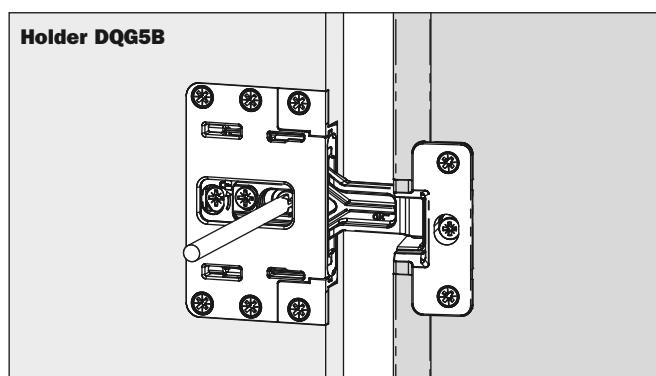
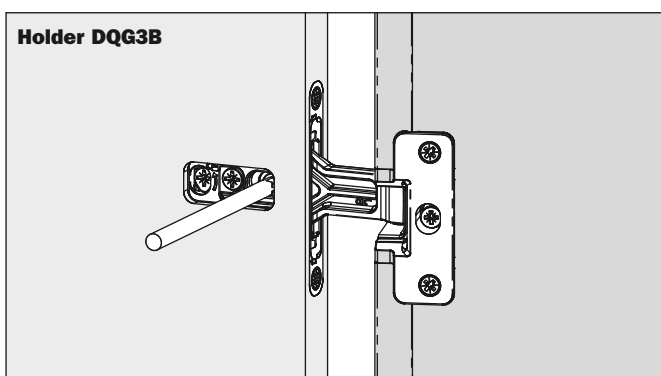
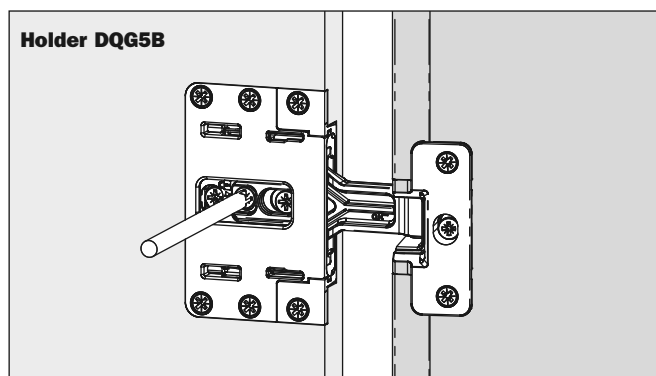
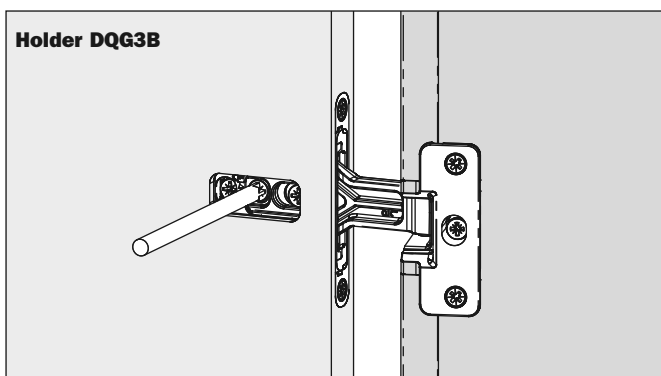


Height adjustment ± 2 mm



Depth adjustment from -0.5 to +2.8 mm



Folder 180 • BASE - Adjustments**CONECTA HINGES****Sideways adjustment -2 +2 mm****Height adjustment -2.5 +2.5 mm****Depth adjustment -0 +3**

ARTURO SALICE S.p.A.

VIA PROVINCIALE NOVEDRATESE, 10
22060 NOVEDRATE (COMO) ITALIA
TEL. 031 790424 - FAX 031 791508
info.salice@salice.com - www.salice.com

DEUTSCHE SALICE GMBH

RUDOLF DIESEL STR. 10
74382 NECKARWESTHEIM
TEL. 07133 9807-0
FAX. 07133 9807-16
info.salice@deutschesalice.de
www.salice.com

DEUTSCHE SALICE GMBH

VERKAUFSBÜRO NORD
RINGSTRASSE 36/A30 CENTER
32584 LÖHNE
TEL. 05731 15608-0
FAX. 05731 15608-10
vknord@deutschesalice.de
www.salice.com

SALICE UK LTD.

KINGFISHER WAY
HINCHINGBROOKE BUSINESS PARK
HUNTINGDON CAMBS PE 29 6FN
TEL. 01480 413831
FAX. 01480 451489
info.salice@saliceuk.co.uk
www.salice.com

BORTOLUZZI SISTEMI S.p.A.

VIA CADUTI 14 SETTEMBRE 1944, 45
32100 BELLUNO ITALIA
TEL. 0437 930866 - FAX 0437 931442
info@bortoluzzi.com - www.bortoluzzi.com

SALICE FRANCE S.A.R.L.

285 RUE DE GOA ZAC LES 3 MOULINS
06600 ANTIBES
TEL. 0493 330069
FAX. 0493 330141
info.salice@salicefrance.com
www.salice.com

SALICE ESPAÑA, S.L.U.

C/ AIGUAFREDA 4, P.I. AMETLLA PARK
08480 L'AMETLLA DEL VALLÈS (BARCELONA)
TEL. 0034 938 46 88 61
info.salice@saliceespana.es
www.salice.com

SALICE PORTUGAL UNIP. LDA

SHOWROOM:

TV SÁ E MELO 161 FA
4470-116 MAIA - PORTO
TEL: 00351 224 154 221
Info@saliceportugal.pt
www.salice.com

ARMAZÉM:

VIA ROTA DOS MÓVEIS I 399
4585-325 GANDRA

SALICE CHINA (SHANGHAI) CO. LTD.

1st FLOOR, B1 BLDG 928 MINGZHU ROAD
XUJING, QINGPU DISTRICT
SHANGHAI 201702 - CHINA
TEL. 021 3988 9880
FAX. 021 3988 9882
info.salice@salicechina.com
www.salicechina.com

SALICE INDIA PVT. LTD.

1001 & 1002, 10TH FLOOR,
CENTRUM, PLOT NO. C-3,
OPP. WAGLE PRABHAG SAMITI OFFICE,
MIDC AREA, WAGLE INDUSTRIAL ESTATE,
THANE - 400604, MAHARASHTRA
TEL. 022 20812050
info@saliceindia.com
www.salice.com

SALICE CANADA INC.

3500 RIDGEWAY DRIVE,
UNIT#1
MISSISSAUGA, ONTARIO, L5L 0B4
TEL. 905 820 8787
FAX. 905 820 7226
info.salice@salicecanada.com
www.salicecanada.com

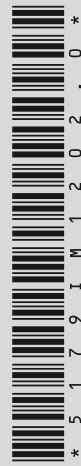
SALICE AMERICA INC.

2123 CROWN CENTRE DRIVE
CHARLOTTE NC. 28227
TEL. 704 841 7810
FAX. 704 841 7808
info.salice@saliceamerica.com
www.saliceamerica.com



Digital contents

We reserve the right to change technical specifications.



Ed. 01 - 05/2024