

# eXcessories



USA  
CDN



## WARDROBE ACCESSORIES

Store. Hang. Protect. Contain. Pull-out. Shelves.

The Salice Excessories Collection provides elegant and highly desirable enhancements to everything that wardrobes are used for, with an almost infinite variety of beautiful products that can be customised to suit your own individual taste and needs.

Exquisitely designed gloveboxes, coat hangers, trays and much more, breathe new life into bedroom design by transforming simple storage - ingeniously optimising space with stunning interior design possibilities.

The drawers and the illuminated shelves, symbolic of a refined, elegant and rigorous minimalism, are the perfect combination of technological development and aesthetics, ensuring that the contents of the wardrobe are perfectly stored and displayed.

A tasteful palette of colours and a range of surface textures ensures both the freedom to personalise the selection of accessories and their perfect compatibility with wardrobes of any design and material.

# Index



## Store

Trays made of imitation leather	page 32
Accessories for trays	page 33
Drawer bottoms	page 38
Finishes and code composition	page 39
HPL drawer inserts	page 40
Finishes and code composition	page 43



## Hang

Hangers	page 46
Hanger rods	page 50
Bags hanger	page 52
Scarves and headscarves hanger	page 52
Ties and belts hanger	page 52
Hanger rods	page 54
Finishes and code composition	page 55
Hanging rails	page 56
Swivel hanger	page 60
Pull-out hanger	page 61



## Protect

Coat-holder bag	page 64
Finishes and code composition	page 65



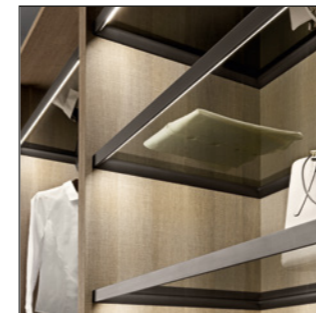
## Contain

Trays	page 68
Boxes	page 69
Finishes and code composition	page 71



## Pull-out

Technical information	page 74
3-sided drawer H 52 mm - wooden frontal	page 80
3-sided drawer H 52 mm - glass frontal	page 82
3-sided drawer H 78 mm - wooden frontal	page 84
3-sided drawer H 78 mm - glass frontal	page 86
3-sided drawer H 128 mm - wooden frontal	page 88
3-sided drawer H 128 mm - glass frontal	page 90
4-sided drawer H 52 mm	page 92
4-sided drawer H 78 mm	page 93
4-sided drawer H 128 mm	page 94
Trousers hanger for drawer	page 95
Skirt hanger for drawer	page 96
Bed linen storage for drawer	page 97
Wired shoe rack for drawer	page 98
Metal shoe rack for drawer	page 99
Spacers	page 101
Drawers alignment	page 108
Cover for runner	page 109



## Shelves

Aluminium frame H 30 mm	page 112
Aluminium frame H 36 mm	page 114
Electrical components	page 118



Beautifully-proportioned glovebox trays which can accommodate a selection of storage elements for items that require special care and attention.

In particular, the collection includes watch-holder trays, spectacle holders, ring holders, earring holders, made of imitation leather, available in various colours and dimensions, according to individual aesthetic and functional requirements.

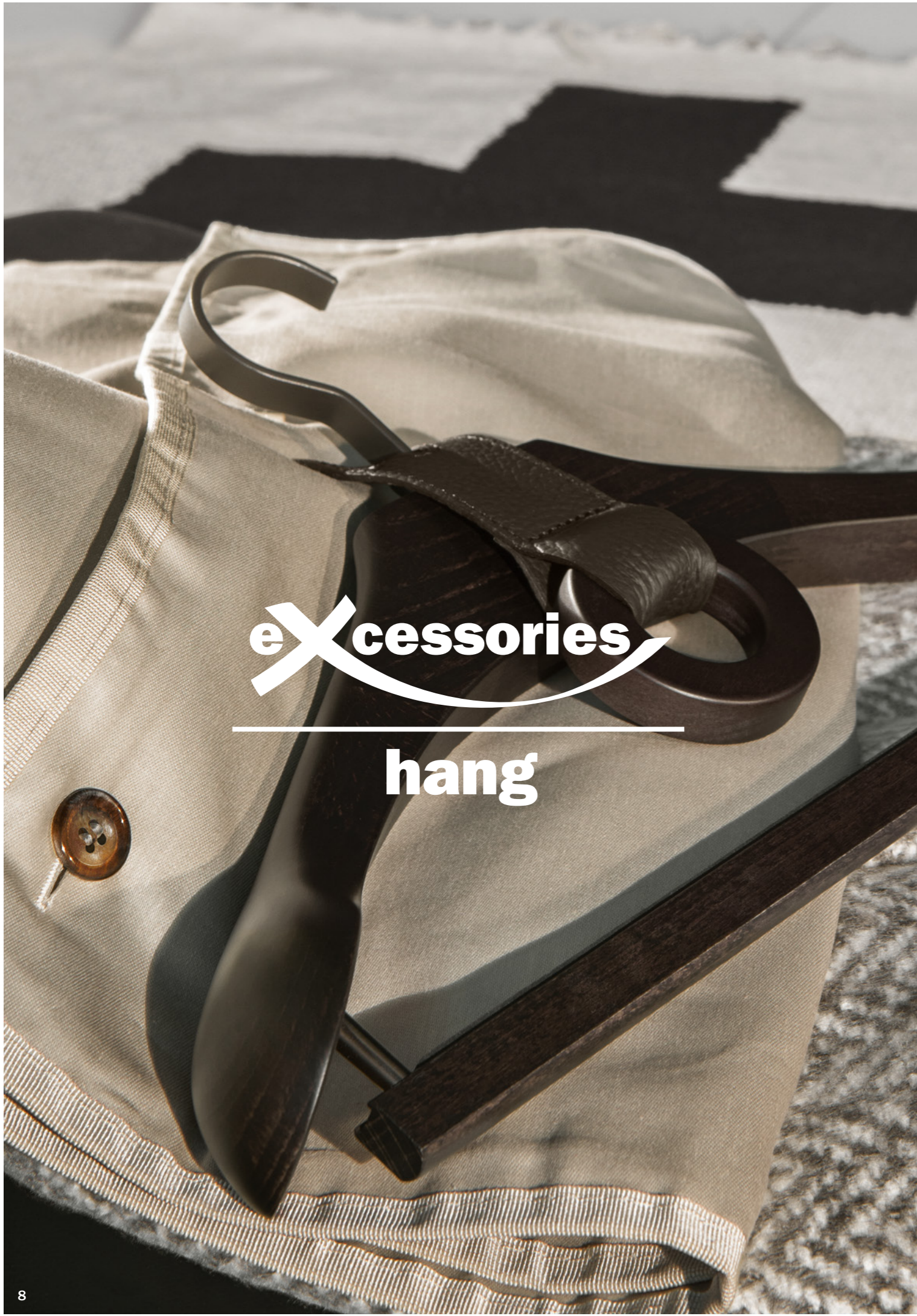


Purpose-made holders for wristwatches, rings and earrings fit perfectly within elegant drawer inserts.

The inserts can also be placed on drawer bottoms, made of imitation leather, thus creating a precious and highly aesthetic drawer, able to embellish all the stored items.

Like the gloveboxes, the drawer bottoms with three dividers, made of imitation leather, can be also used to store ties, scarves or belts.





excessories

hang





Details always make the difference.  
The collection also boasts an extractable or rotating coat hanging hook which, when fixed to the shelf, offers an additional handy support when needed.



A multiplicity of options to hang clothes and accessories neatly and to keep them looking their best.  
Hangers, cloth and bag hangers, scarf, tie and belt holders made of wenge-dyed beech wood can be now fully personalised with precious inserts or leather supports with many possible combinations.

In the same way, even the most functional items, such as hanger rods can be equipped with a leather sleeve.







Accessories which protect clothes and keep them with elegance inside the wardrobe. The fabric holder bags, height adjustable and provided with pleats to easily contain bulky items of clothing, are made of 100% cotton and available in various colours.



The elegant coat-holder bags can be folded with buttons made of wenge-dyed olive wood.







Boxes and trays for clothing or other items, covered with elegant fabric, enable the internal space to be organised and enriched with tones and colours.



Several dimensions and multiple finishes to select, both boxes and trays can be embellished with a tab and/or a front label made of imitation leather.



**eXcessories**

**pull-out**



The drawers too, available in different versions and heights, play a central role in the Excessories collection.

4-sides aluminium drawers, characterized by elegant shapes and a futuristic style, come with bottoms made of wood, glass or imitation leather.

A classic synthesis of technological development and design, they stand out for the elegance of the profiles, oozing perfect aesthetics and smooth and sinuous shapes, also enabling, from a functional point of view, the easy cleaning of the drawer bottom.

3-sided aluminium drawers with wooden frontal are also available.

Thanks to an easy and quick assembly and a clean and refined aesthetics, the drawers are perfectly compatible with wardrobes of any design and material. No technical element is visible.



The drawers with glass frontals make the wardrobe even more elegant and desirable.



A range of accessories for drawers is also included in the collection: trouser and skirt hangers, shoe racks in mesh or sheet metal and bed linen storage compartments made of quilted fabric.



The drawers are unique and highly distinctive thanks to their faultless design, the attention to details and their sophisticated working, especially between the side and the frontal.



The Excessories collection is the answer to any possible applications, always offering the best solution. The side spacers, for example, used in case of wardrobes with double or sliding doors, allow the perfect pulling out of the drawer, without hitting the doors of the wardrobe.

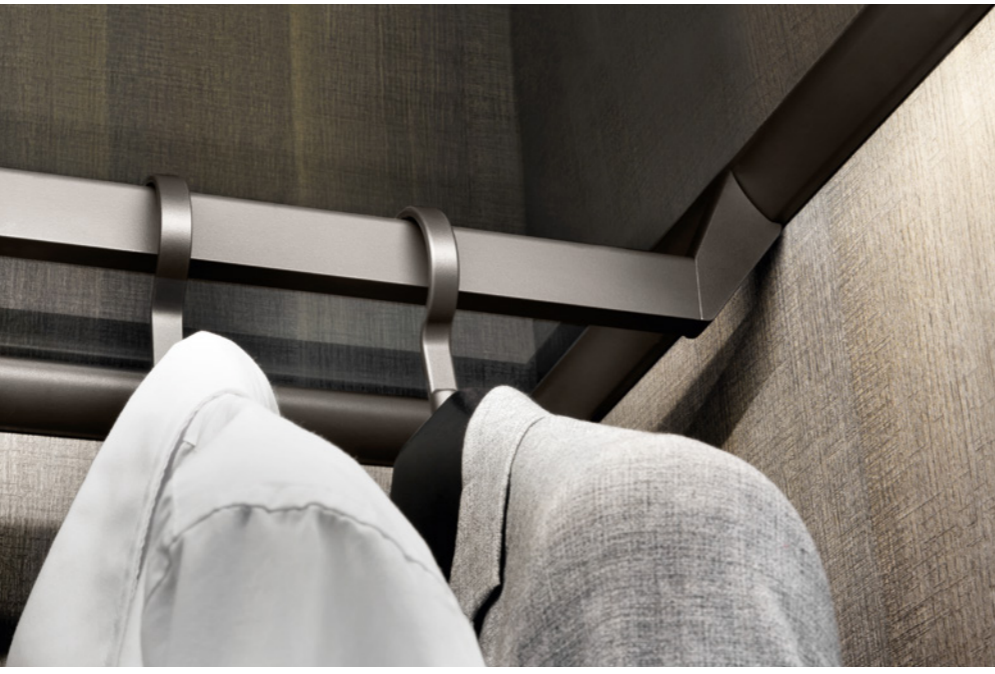




Nowadays the light plays a vital role in walk-in wardrobes. The illuminated shelves of the collection bring clothes and accessories to life; the wardrobe lights up and animates all the stored items.

The lighting system is perfectly hidden and the shelf bottoms, made of glass, amplify even more the brightness and the luminance.

The hanger rail, and the special refined working of its supports, complete and embellish the product design.







## Store

## Excessories - store

**YE80CXLA32\_\_A** = depth 410 mm  
Finish code number on page 39

### Multi-purpose tray with 2 internal dividers

- Material: imitation leather
- External dimensions (mm): 150x410 H 50
- Packing: 1 pieces per box



**YE80CXLA30\_\_A** = depth 410 mm  
Finish code number on page 39

### Multi-purpose tray with 4 internal dividers

- Material: imitation leather
- External dimensions (mm): 300x410 H 50
- Packing: 1 piece per box



**YE80CXLA31\_\_A** = depth 410 mm  
Finish code number on page 39

### Multi-purpose tray with 6 internal dividers

- Material: imitation leather
- External dimensions (mm): 450x410 H 50
- Packing: 1 piece per box



## Accessories for trays

**YE80CXLA44\_\_B** = depth 126 mm  
Finish code number on page 39

### Watch-holder

- Material: imitation leather
- External dimensions (mm): 136x126
- Packing: 2 pieces per box



**YE80CXLA45\_\_B** = depth 126 mm  
Finish code number on page 39

### Earring-holder

- Material: imitation leather
- External dimensions (mm): 136x126
- Packing: 2 pieces per box



**YE80CXLA43\_\_B** = depth 126 mm  
Finish code number on page 39

### Ring-holder

- Material: imitation leather
- External dimensions (mm): 136x126
- Packing: 2 pieces per box



**YE80CXLA42\_\_B** = depth 262 mm  
Finish code number on page 39

### Vertical 2-space divider

- Material: imitation leather
- External dimensions (mm): 136x262
- Packing: 2 pieces per box



**YE80CXLA41\_\_B** = depth 262 mm  
Finish code number on page 39

### Vertical divider with 4 horizontal spaces

- Material: imitation leather
- External dimensions (mm): 136x262
- Packing: 2 pieces per box



**Excessories - store - Some suggestions for possible combinations**

---



**Excessories - store - Some suggestions for possible combinations**

---



## Excessories - store

### YE80CXG\_\_\_\_B

Finish code number on page 39

#### Bottom for drawers and shelf

- Material: imitation leather
- Made to measure
- When ordering, please confirm the requested dimensions
- Packing: 1 piece per box



### YE80CXH\_\_\_\_B

Finish code number on page 39

#### Drawer bottom with 3 dividers

- Material: imitation leather
- Made to measure
- When ordering, please confirm the requested dimensions
- Packing: 1 piece per box



## FINISHES

### Excessories - store - Imitation leather

#### MOKA BROWN



#### ELEPHANT GREY



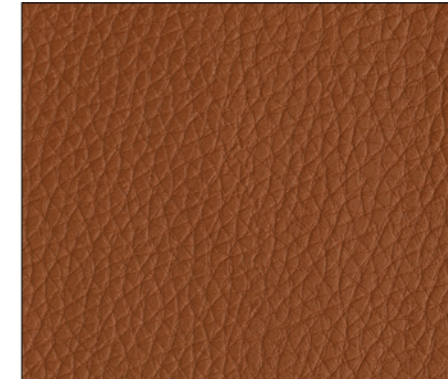
#### TAUPE BROWN



#### KHAKI BROWN



#### CAMEL



#### TOFFEE WHITE



### Code composition (example):

Y E 8 0 C X L A \_\_\_\_\_ B

PRODUCT PART NUMBER

Y E 8 0 C X G \_\_\_\_\_ B

BOTTOM PART NUMBER,  
ACCORDING TO THE  
DIMENSIONS SUPPLIED

Y E 8 0 C X H \_\_\_\_\_ B

BOTTOM PART NUMBER,  
ACCORDING TO THE  
DIMENSIONS SUPPLIED

**16** = MOKA BROWN IMITATION LEATHER

**17** = ELEPHANT GREY IMITATION LEATHER

**19** = TAUPE BROWN IMITATION LEATHER

**22** = KHAKI BROWN IMITATION LEATHER

**23** = CAMEL IMITATION LEATHER

**21** = TOFFEE WHITE IMITATION LEATHER

## Excessories - store

**YE80CXNA10\_\_B** = depth 410 mm  
Finish code number on page 43

**HPL drawer insert, wenge-dyed finish, with 3 storage dividers**

- Material: imitation leather
- External dimensions (mm): 410x150 H 50
- Packing: 4 pieces per box



**YE80CXNA06\_\_B** = depth 410 mm  
Finish code number on page 43

**HPL drawer insert, wenge-dyed finish, with earring holder**

- Material: imitation leather
- External dimensions (mm): 410x150 H 50
- Packing: 4 pieces per box



**YE80CXNA08\_\_B** = depth 410 mm  
Finish code number on page 43

**HPL drawer insert, wenge-dyed finish, with ring holder**

- Material: imitation leather
- External dimensions (mm): 410x150 H 50
- Packing: 4 pieces per box



**YE80CXNA04\_\_B** = depth 410 mm  
Finish code number on page 43

**HPL drawer insert, wenge-dyed finish, with watch holder**

- Material: imitation leather
- External dimensions (mm): 410x150 H 50
- Packing: 4 pieces per box



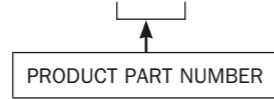
# FINISHES

## Excessories - store - Imitation leather and HPL

### MOKA BROWN and HPL WENGE



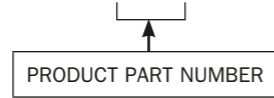
**Y E 8 0 C X N A \_ \_ F 1 B**



### ELEPHANT GREY and HPL WENGE



**Y E 8 0 C X N A \_ \_ F 2 B**



## Excessories - store - Imitation leather and HPL

### MARRONE TAUPE



### FLAX GREY



### KHAKI BROWN



### CAMEL



### MOKA BROWN



### ELEPHANT GREY



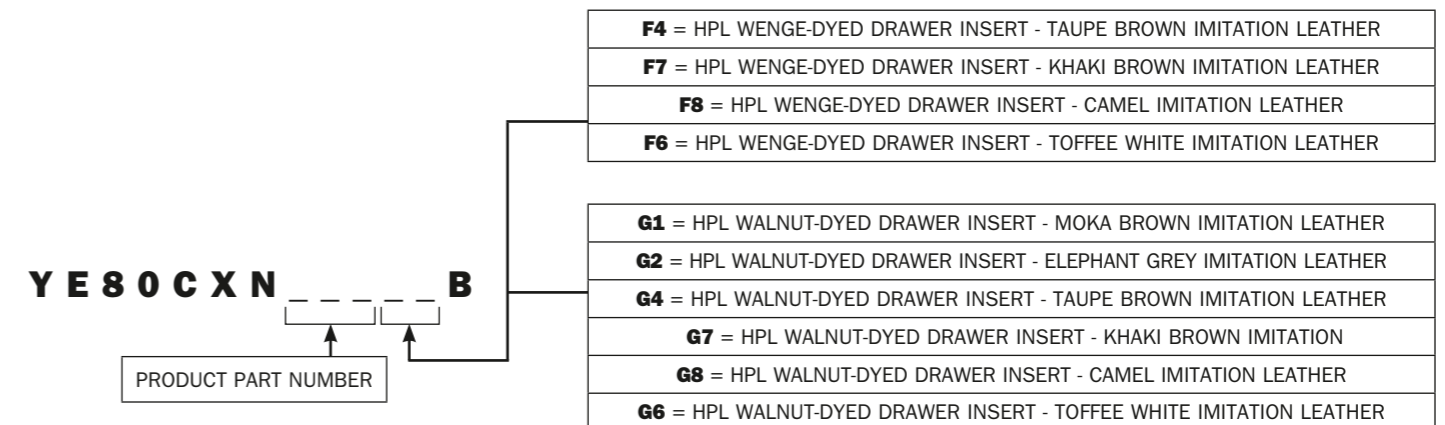
### WENGE-DYED



### WALNUT-DYED



### Code composition (example):





## Hang



## Excessories - hang - wood

### YE80DBAA2670B

#### Women's suit hanger

- Hanger material: beech
- Hanger finish: wenge
- Hook material: epoxy-coated die-cast
- Hook finish: metal grey brown
- Bar and clip material: epoxy-coated metal
- Bar and clip finish: metal grey brown
- External dimensions (mm): 400x293
- Packing: 4 pieces per box

Personalisation with laser or screen-printed logo on request.

- Minimum order 60 pcs.



### YE80DBAA2970B

#### Men's suit hanger

- Hanger material: beech
- Hanger finish: wenge
- Hook material: epoxy-coated die-cast
- Hook finish: metal grey brown
- External dimensions (mm): 450x257
- Packing: 4 pieces per box

Personalisation with laser or screen-printed logo on request.

- Minimum order 60 pcs.



### YE80DBAA1670B

#### Women's suit hanger

- Hanger material: beech
- Hanger finish: wenge
- Hook material: epoxy-coated die-cast
- Hook finish: metal grey brown
- Bar and clip material: epoxy-coated metal
- Bar and clip finish: metal grey brown
- External dimensions (mm): 400x293
- Packing: 4 pieces per box

Personalisation with laser or screen-printed logo on request.

- Minimum order 60 pcs.



### YE80DBAA1970B

#### Men's suit hanger

- Hanger material: beech
- Hanger finish: wenge
- Hook material: epoxy-coated die-cast
- Hook finish: metal grey brown
- External dimensions (mm): 450x257
- Packing: 4 pieces per box

Personalisation with laser or screen-printed logo on request.

- Minimum order 60 pcs.



### YE80DBAA1070B

#### Skirt hanger

- Hanger material: beech
- Hanger finish: wenge
- Hook material: epoxy-coated die-cast
- Hook finish: metal grey brown
- Bar and clip material: epoxy-coated metal
- Bar and clip finish: metal grey brown
- External dimensions (mm): 390x200
- Packing: 4 pieces per box

Personalisation with laser or screen-printed logo on request.

- Minimum order 60 pcs.



### YE80DBAA1370B

#### Trousers hanger

- Hanger material: beech
- Hanger finish: wenge
- Hook material: epoxy-coated die-cast
- Hook finish: metal grey brown
- External dimensions (mm): 390x170
- Packing: 4 pieces per box

Personalisation with laser or screen-printed logo on request.

- Minimum order 60 pcs.



## Excessories - hang - wood and genuine leather

### YE80DBAA28\_B

Finish code number on page 55

#### Women's suit hanger

- Hanger material: beech. Genuine leather insert
- Hanger finish: wenge
- Hook material: epoxy-coated die-cast
- Hook finish: metal grey brown
- Bar and clip material: epoxy-coated metal
- Bar and clip finish: metal grey brown
- External dimensions (mm): 400x293
- Packing: 4 pieces per box

Personalisation with hot-stamped logo on request.  
Minimum order 60 pcs.



### YE80DBAA31\_B

Finish code number on page 55

#### Men's suit hanger

- Hanger material: beech. Genuine leather insert
- Hanger finish: wenge
- Hook material: epoxy-coated die-cast
- Hook finish: metal grey brown
- External dimensions (mm): 450x257
- Packing: 4 pieces per box

Personalisation with hot-stamped logo on request.  
Minimum order 60 pcs.



### YE80DBAA18\_B

Finish code number on page 55

#### Women's suit hanger

- Hanger material: beech. Genuine leather insert
- Hanger finish: wenge
- Hook material: epoxy-coated die-cast
- Hook finish: metal grey brown
- Bar and clip material: epoxy-coated metal
- Bar and clip finish: metal grey brown
- External dimensions (mm): 400x293
- Packing: 4 pieces per box

Personalisation with hot-stamped logo on request.  
Minimum order 60 pcs.



### YE80DBAA21\_B

Finish code number on page 55

#### Men's suit hanger

- Hanger material: beech. Genuine leather insert
- Hanger finish: wenge
- Hook material: epoxy-coated die-cast
- Hook finish: metal grey brown
- External dimensions (mm): 450x257
- Packing: 4 pieces per box

Personalisation with hot-stamped logo on request.  
Minimum order 60 pcs.



### YE80DBAA12\_B

Finish code number on page 55

#### Skirt hanger

- Hanger material: beech. Genuine leather insert.
- Hanger finish: wenge
- Hook material: epoxy-coated die-cast
- Hook finish: metal grey brown
- Bar and clip material: epoxy-coated metal
- Bar and clip finish: metal grey brown
- External dimensions (mm): 390x200
- Packing: 4 pieces per box

Personalisation with hot-stamped logo on request.  
Minimum order 60 pcs.



### YE80DBAA15\_B

Finish code number on page 55

#### Trousers hanger

- Hanger material: beech. Genuine leather insert.
- Hanger finish: wenge
- Hook material: epoxy-coated die-cast
- Hook finish: metal grey brown
- External dimensions (mm): 390x170
- Packing: 4 pieces per box

Personalisation with hot-stamped logo on request.  
Minimum order 60 pcs.



## Excessories - hang - accessories

### YE80DBAA0170B

#### Hanger rod

- Material: beech
- Finish: wenge
- Dimensions (mm): 840
- Packing: 8 pieces per box

Screw the hanger rod into the threaded bush in the hanger.



### YE80DBAA03\_B

Finish code number on page 55

#### Hanger rod with genuine leather sleeve

- Material: beech
- Finish: wenge
- Dimensions (mm): 840
- Packing: 8 pieces per box

Screw the hanger rod into the threaded bush in the hanger.



## Excessories - hang

### YE80DBAA0570B

#### Bags hanger

- Bags hanger material: beech
- Bags hanger finish: wenge
- Hook material: epoxy-coated die-cast
- Hook finish: metal grey brown
- External dimensions (mm): 98x185
- Packing: 10 pieces per box

Personalisation with hot-stamped or embossed logo on request.



### YE80DBAA0770B

#### Scarves and headscarves hanger

- Hanger material: beech
- Hanger finish: wenge
- Hook material: epoxy-coated die-cast
- Hook finish: metal grey brown
- External dimensions (mm): 150x245
- Packing: 10 pieces per box



### YE80DBAA09\_\_B

Finish code number on page 55

#### Tie and belt hanger. Genuine leather support.

- Material: beech
- Finish: wenge
- External dimensions (mm): 68x156
- Packing: 10 pieces per box

Personalisation with hot-stamped logo on request.



All the hangers of the collection can perfectly match scarves and headscarves, suits, belts and ties, already in the wardrobe.



## Excessories - hang

### YE80DBAA0270B

#### Hanger rod with hook

- Hanger rod material: beech
- Hanger rod finish: wenge
- Hook material: epoxy-coated die-cast
- Hook finish: metal grey brown
- Dimensions (mm): 970
- Packing: 8 pieces per box



### YE80DBAA23\_B

Finish code number on page 55

#### Hanger rod with hook and genuine leather sleeve

- Hanger rod material: beech
- Hanger rod finish: wenge
- Hook material: epoxy-coated die-cast
- Hook finish: metal grey brown
- Dimensions (mm): 970
- Packing: 8 pieces per box



### YE80DBAA04\_B

Finish code number on page 55

#### Tie hanger rod with genuine leather supports

- Tie hanger rod material: beech
- Tie hanger rod finish: wenge
- Hook material: epoxy-coated die-cast
- Hook finish: metal grey brown
- Dimensions (mm): 865
- Packing: 4 pieces per box



## FINISHES

### Excessories - hang - Genuine leather

#### MOKA BROWN



#### ELEPHANT GREY



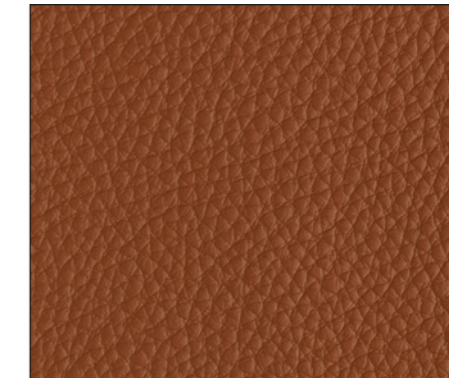
#### FLAX GREY



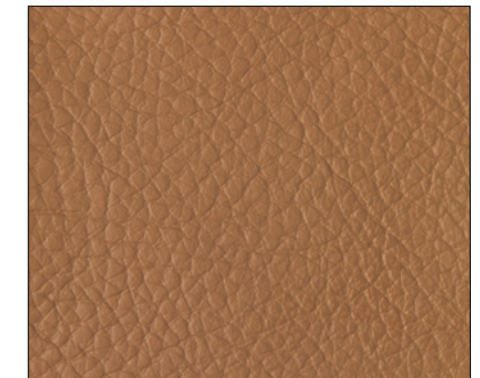
#### TURTLE-DOVE GREY



#### CAMEL



#### KHAKI BROWN



### Code composition (example):

Y E 8 0 D B A A 1 8 \_ \_ B

A1	= MOKA BROWN LEATHER
A2	= ELEPHANT GREY LEATHER
A3	= FLAX GREY LEATHER
A4	= TURTLE-DOVE GREY LEATHER
A8	= CAMEL LEATHER
A7	= KHAKI BROWN LEATHER

### Excessoires - hang - Wood WENGE-DYED



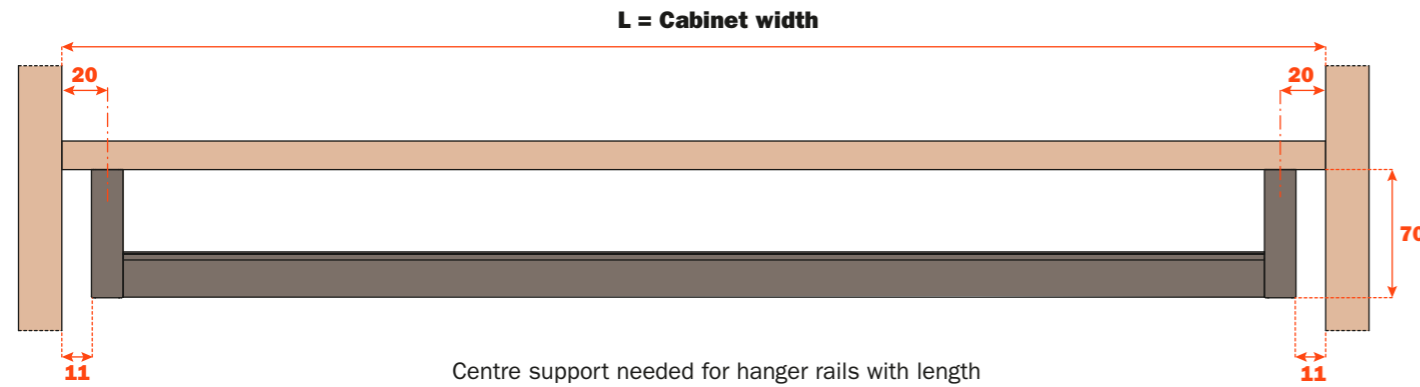
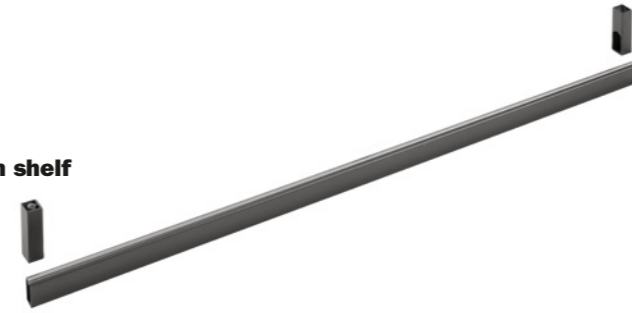
## Excessories - hang

- YE80DAHA0133B** = Hanger rail for clothes, length 1000 mm
- YE80DAHA0233B** = Hanger rail for clothes, length 1500 mm
- YE80DAHA1033B** = End supports for hanger rail
- YE80DAHA1133B** = Centre support for hanger rail

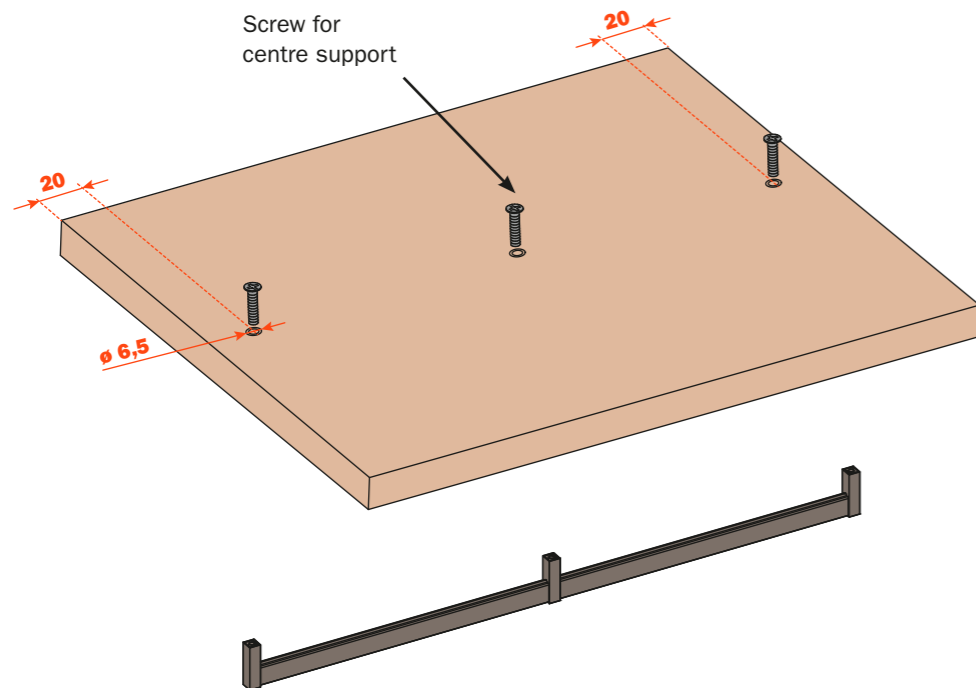
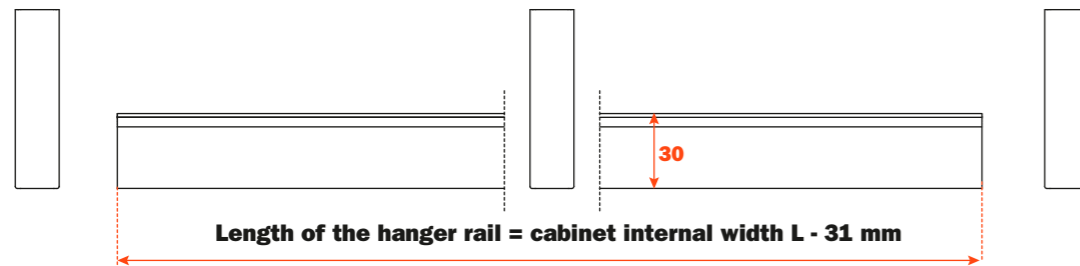
### FIXING FROM THE TOP OF THE CABINET

#### Hanging rail for clothes hangers with support brackets, for wooden shelf

- Hanger rail material: epoxy-coated aluminium, section 15 x 30 mm
- Supports material: epoxy-coated die-cast
- Finish: metal grey brown
- Packing: 20 pieces per box
- Use M6 screw, screws not included
- Screw length = shelf thickness + min. 10 mm/max. 15 mm
- Custom-tailored hanger rail available when ordering more than 20 pieces



Centre support needed for hanger rails with length above 1200 mm or loads of more than 15 kg

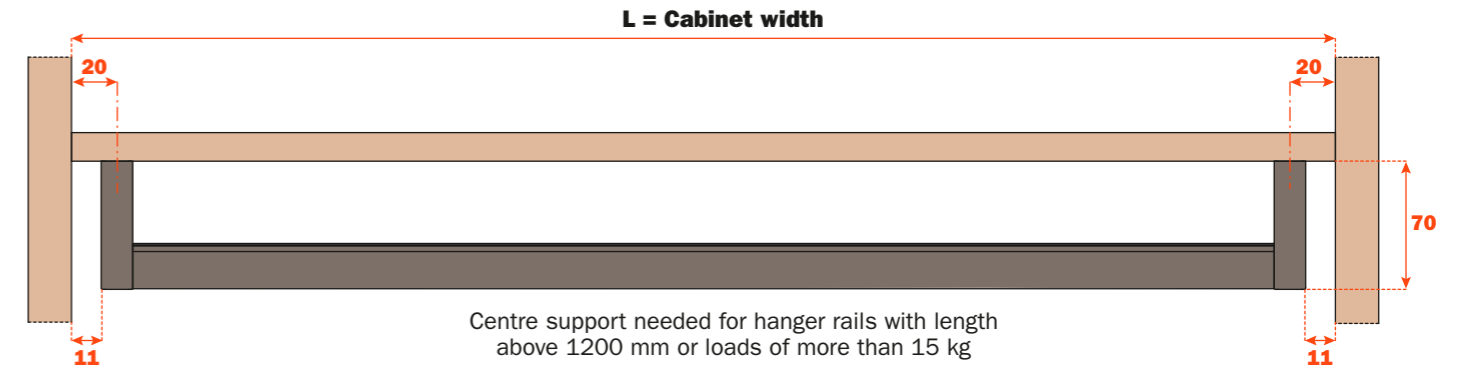


- YE80DAHA0133B** = Hanger rail for clothes, length 1000 mm
- YE80DAHA0233B** = Hanger rail for clothes, length 1500 mm
- YE80DAHA1233B** = End supports for hanger rail
- YE80DAHA1333B** = Centre support for hanger rail

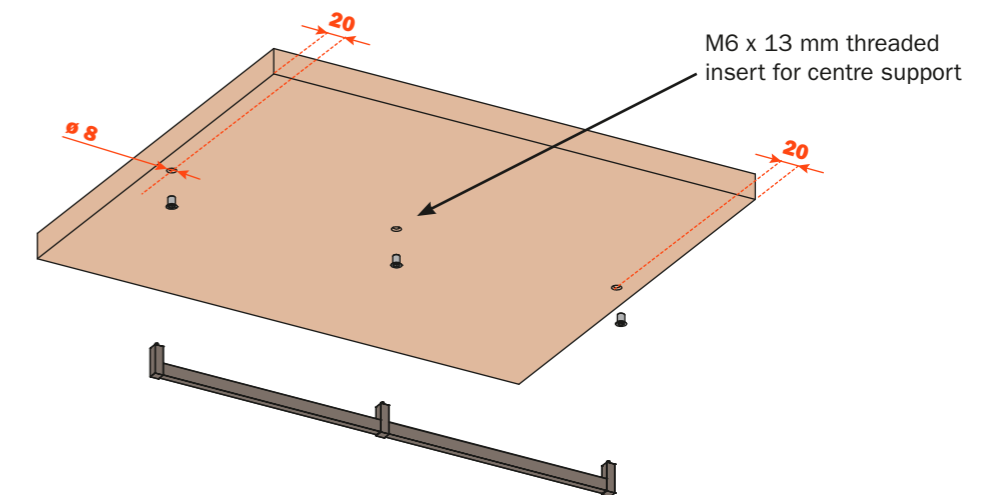
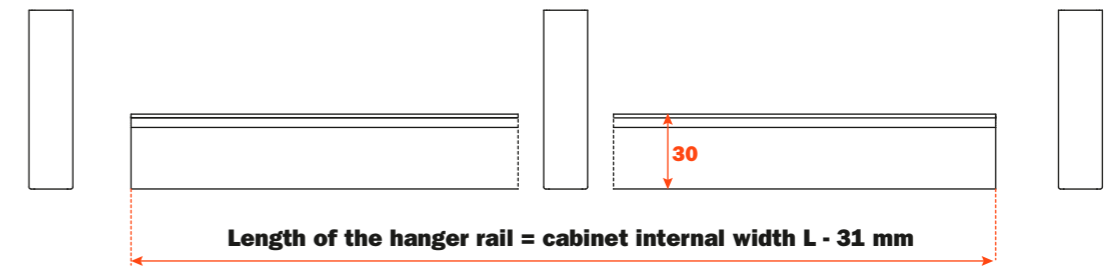
### FIXING UNDER THE SHELF

#### Hanging rail for clothes hangers with support brackets, for wooden shelf

- Hanger rail material: epoxy-coated aluminium, section 15 x 30 mm
- Supports material: epoxy-coated die-cast
- Finish: metal grey brown
- Packing: 20 pieces per box, threaded inserts and pins included
- Custom-tailored hanger rail available when ordering more than 20 pieces



Centre support needed for hanger rails with length above 1200 mm or loads of more than 15 kg

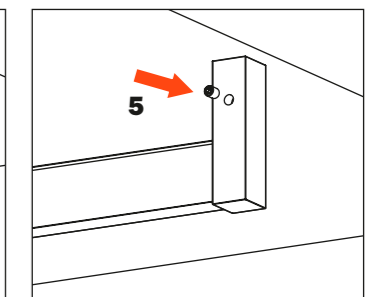
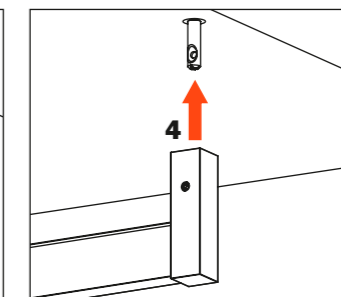
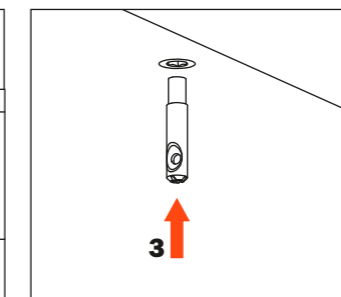
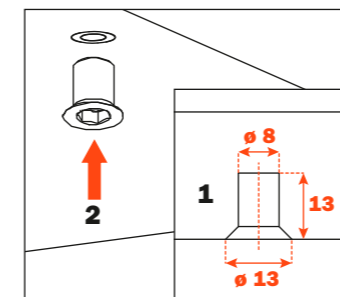


Drill the shelf and screw in the threaded inserts

Insert the pins into the threaded inserts

Insert the support brackets

Tighten the grub screws



## Excessories - hang

- YE80DAHA0133B** = Hanger rail for clothes, length 1000 mm
- YE80DAHA0233B** = Hanger rail for clothes, length 1500 mm
- YE80GMRA00633B** = End supports for hanger rail (without back cover)
- YE80GMRA01733B** = End supports for hanger rail (with back cover)
- YE80GMRA00733B** = Centre support for hanger rail

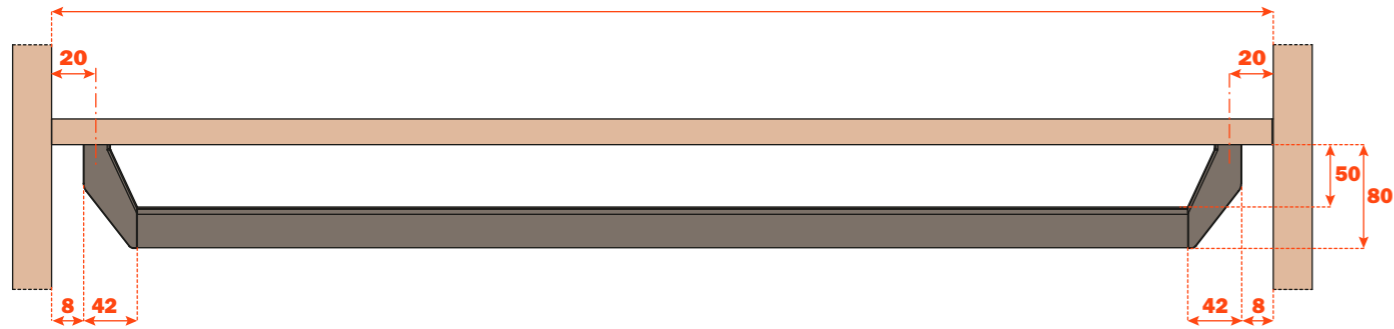
### FIXING FROM THE TOP OF THE CABINET

#### Hanging rail for clothes hangers with support brackets, for wooden shelf

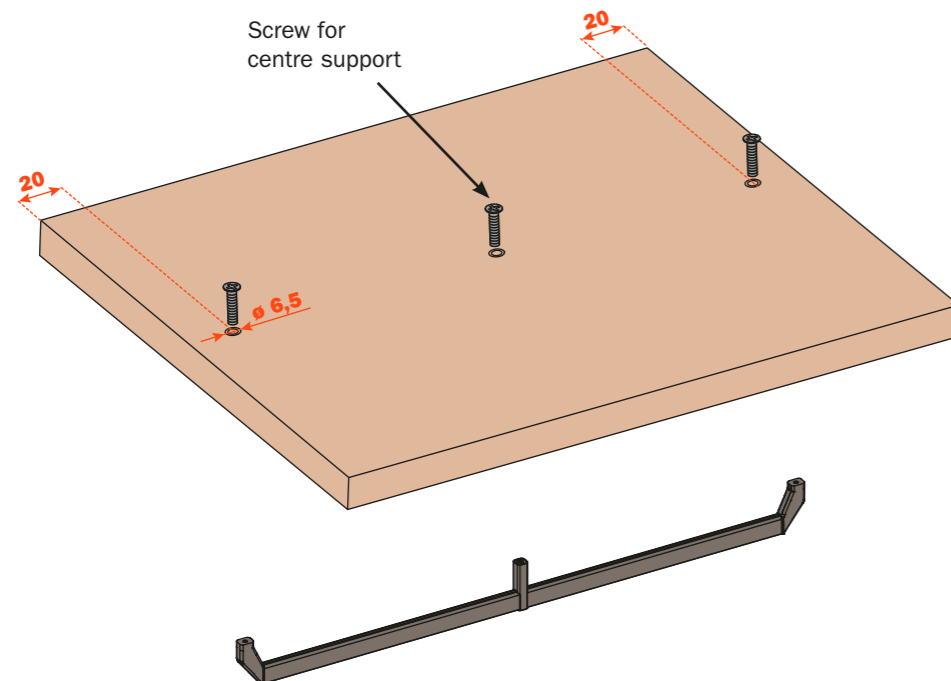
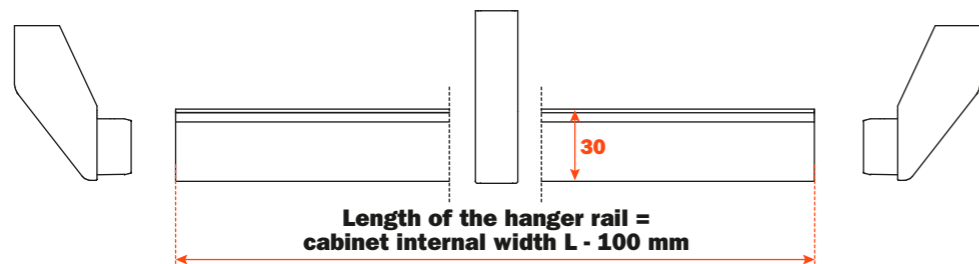
- Hanger rail material: epoxy-coated aluminium, section 15 x 30 mm
- Supports material: epoxy-coated die-cast
- Finish: metal grey brown
- Packing: 20 pieces per box
- Use M6 screw, screws not included
- Screw length = shelf thickness + min. 10 mm/max. 15 mm
- Custom-tailored hanger rail available when ordering more than 20 pieces



**L = Cabinet width**



Centre support needed for hanger rails with length above 1200 mm or loads of more than 15 kg



- YE80DAHA0133B** = Hanger rail for clothes, length 1000 mm
- YE80DAHA0233B** = Hanger rail for clothes, length 1500 mm
- YE80GMRA00833B** = End supports for hanger rail (without back cover)
- YE80GMRA01633B** = End supports for hanger rail (with back cover)
- YE80GMRA00933B** = Centre support for hanger rail

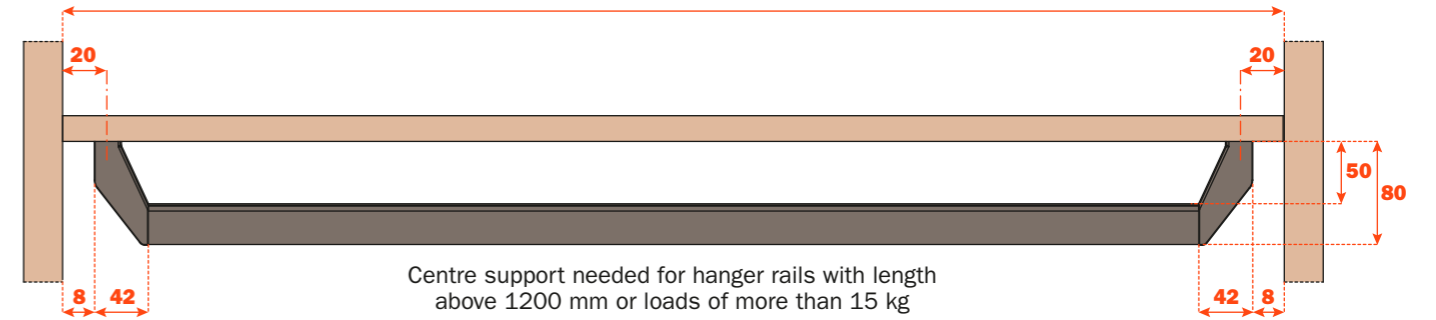
### FIXING UNDER THE SHELF

#### Hanging rail for clothes hangers with support brackets, for wooden shelf

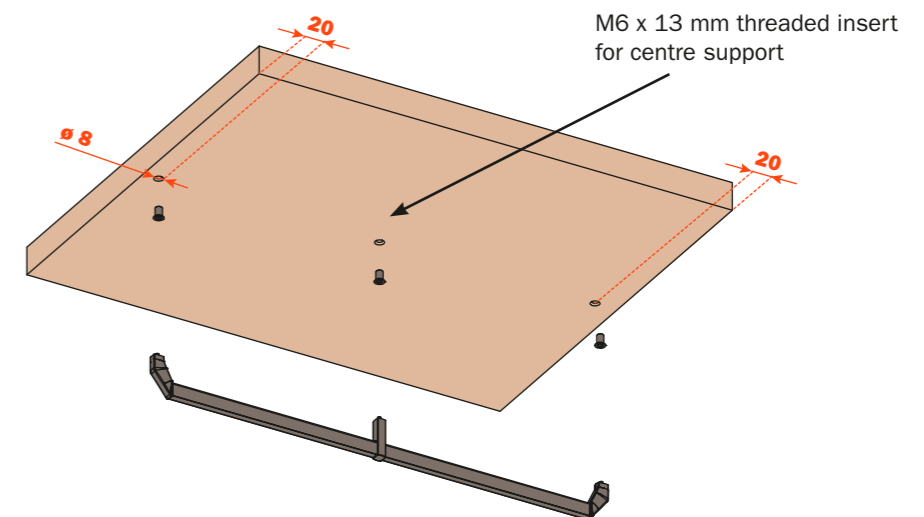
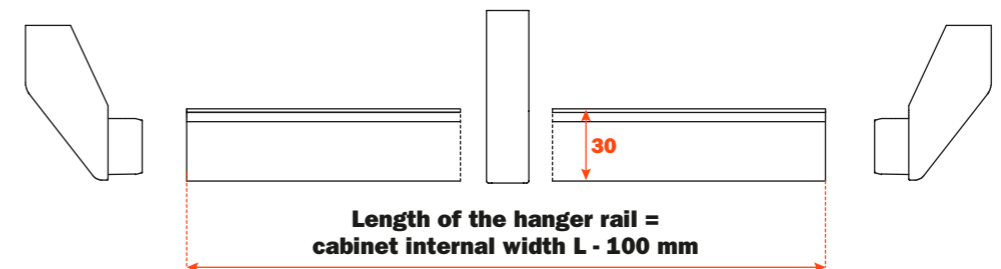
- Hanger rail material: epoxy-coated aluminium, section 15 x 30 mm
- Supports material: epoxy-coated die-cast
- Finish: metal grey brown
- Packing: 20 pieces per box, threaded inserts and pins included
- Custom-tailored hanger rail available when ordering more than 20 pieces



**L = Cabinet width**



Centre support needed for hanger rails with length above 1200 mm or loads of more than 15 kg



Drill the shelf and screw in the threaded inserts

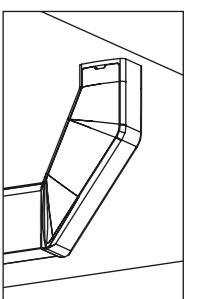
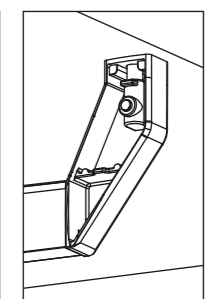
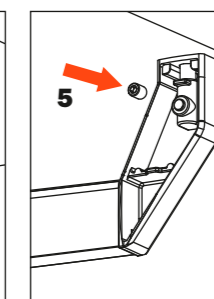
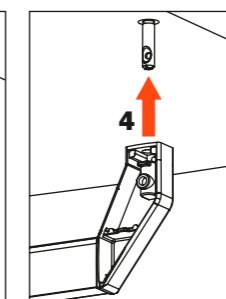
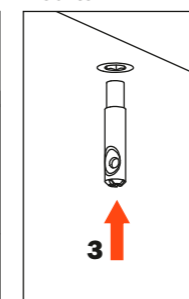
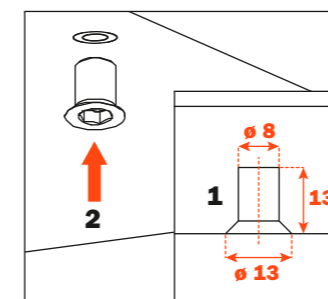
Insert the pins into the threaded inserts

Insert the support brackets

Tighten the grub screws

Version without back cover

Version with back cover

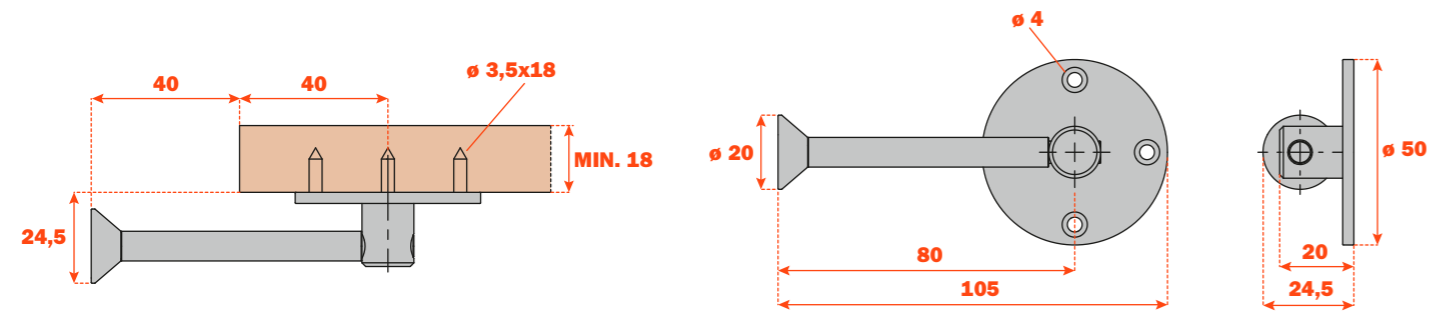


## Excessories - hang

### YE80DAVA0480B

#### Swivel hanger fixed under the shelf

- Load capacity: 10 Kg
- Material: steel
- Finish: nickel
- Packing: 20 pieces per box

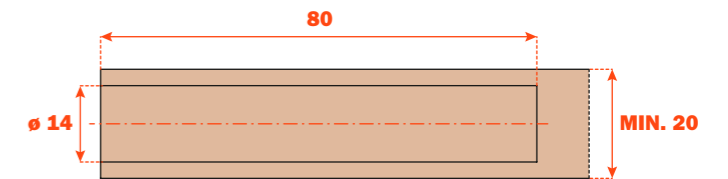
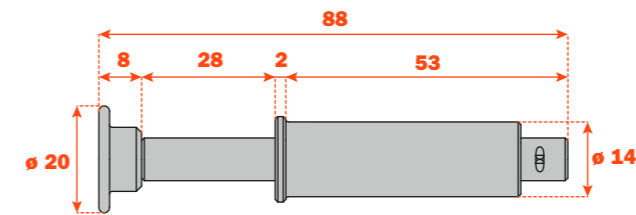
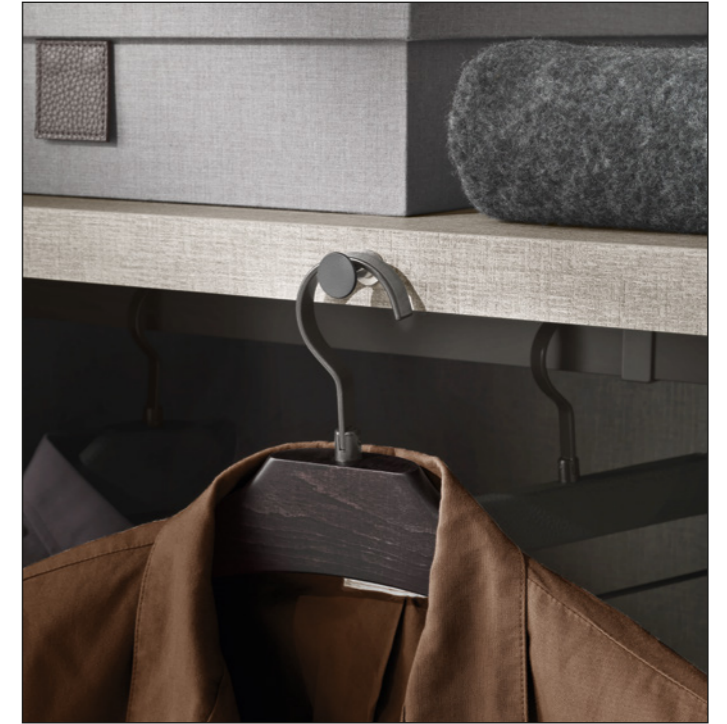


### YE80DAVA0180B = Cap in nickel finish

### YE80DAVA10C3B = Cap in metal grey brown finish

#### Pull-out hanger

- Load capacity: 10 Kg
- Material: steel
- Finish: nickel
- Packing: 20 pieces per box







**Protect**

## Excessories - protect

### YE80DAQA01\_\_B

Finish code number on page 65

#### Coat-holder bag with pleats. Buttons made of wenge-dyed olive wood

- To be used folded for jackets and loose for suits and coats
- Material: fabric 100% cotton
- External dimensions (mm): 970 folded, 1200 loose
- Packing: 4 pieces per box



## FINISHES

### Excessories - protect - Fabric 100% cotton

#### STONEWARE GREY



#### BRICK BROWN



#### NATURAL LINEN



#### Code Composition (example):

Y E 8 0 D A Q A 0 1 \_ \_ B

90 = STONEWARE GREY
91 = BRICK BROWN
93 = NATURAL LINEN



**Contain**

## Excessories - contain

### YE80DFLA01\_\_B

Finish code number on page 71, chart 2

#### Tray with tab made of imitation leather

- Material: fabric
- Dimensions (mm): 350x400 H 80
- Packing: 3 pieces per box



### YE80DFFA01\_\_B = Bottom Part number

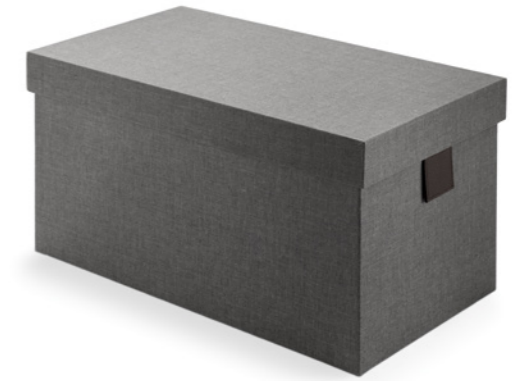
Finish code number on page 71, chart 2

### YE80DFDA01\_\_B = Top Part number

Finish code number on page 71, chart 1

#### Box with tab made of imitation leather

- Material: fabric
- Bottom dimensions (mm): 250x465 H 255
- Top dimensions (mm): 260x480 H 50
- Packing: 3 pieces per box

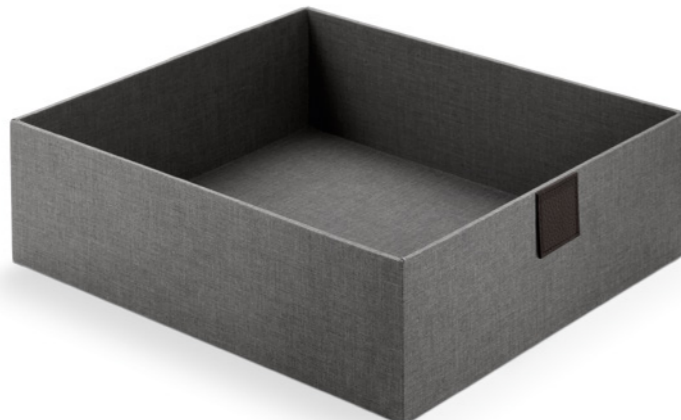


### YE80DFLA02\_\_B

Finish code number on page 71, chart 2

#### Tray with tab made of imitation leather

- Material: fabric
- Dimensions (mm): 350x400 H 120
- Packing: 3 pieces per box



### YE80DFFA02\_\_B = Bottom Part number

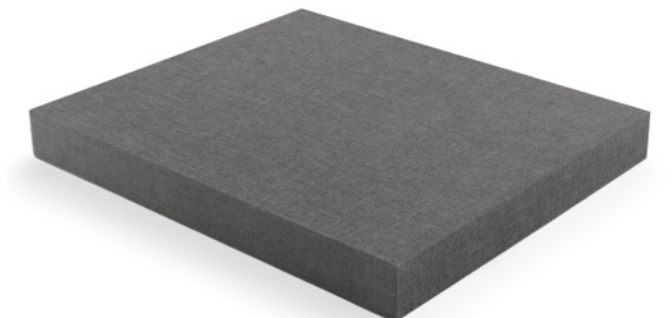
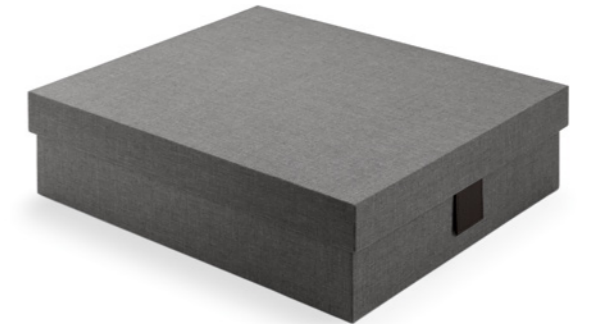
Finish code number on page 71, chart 2

### YE80DFDA02\_\_B = Top Part number

Finish code number on page 71, chart 1

#### Box with tab made of imitation leather

- Material: fabric
- Bottom dimensions (mm): 390x465 H 125
- Top dimensions (mm): 400x480 H 50
- Packing: 3 pieces per box



## Excessories - contain

**YE80DFFA03\_\_B** = Bottom Part number  
Finish code number on page 71, chart 2  
**YE80DFDA02\_\_B** = Top Part number  
Finish code number on page 71, chart 1

### Box with tab made of imitation leather

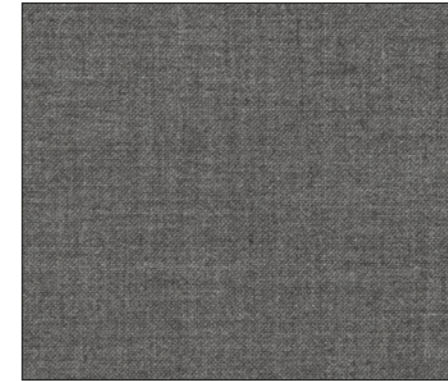
- Material: fabric
- Bottom dimensions (mm): 390x465 H 255
- Top dimensions (mm): 400x480 H 50
- Packing: 3 pieces per box



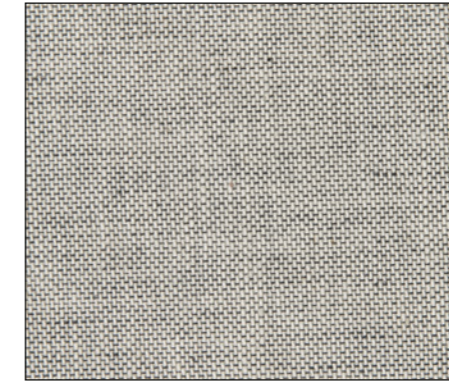
## FINISHES

### Excessories - contain - Fabric

#### TASMANIA GREY



#### FLAX GREY



#### EARTH BROWN



#### PUMPKIN ORANGE



#### PEARLESCENT BRICK



#### UNBLEACHED LINEN



### Code composition (example):

**Y E 8 0 D F \_ A 0 1 \_ \_ B**

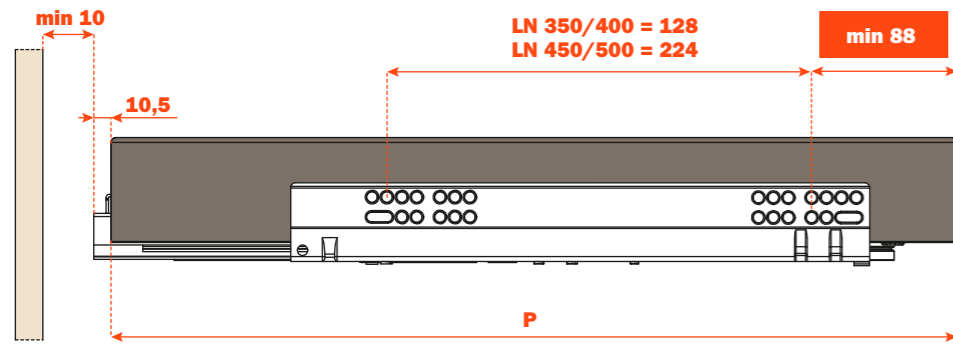
CHART 1	CHART 2
<b>51</b> = TASMANIA GREY	<b>C1</b> = TASMANIA GREY + MOKA BROWN IMITATION LEATHER
<b>52</b> = FLAX GREY	<b>C2</b> = FLAX GREY + MOKA BROWN IMITATION LEATHER
<b>53</b> = BROWN	<b>C3</b> = BROWN + MOKA BROWN IMITATION LEATHER
<b>59</b> = EARTH BROWN	<b>C9</b> = EARTH BROWN + MOKA BROWN IMITATION LEATHER
<b>55</b> = PUMPKIN ORANGE	<b>C5</b> = PUMPKIN ORANGE + MOKA BROWN IMITATION LEATHER
<b>58</b> = PEARLESCENT BRICK	<b>C8</b> = PEARLESCENT BRICK + MOKA BROWN IMITATION LEATHER
<b>60</b> = UNBLEACHED LINEN	<b>C10</b> = UNBLEACHED LINEN + MOKA BROWN IMITATION LEATHER



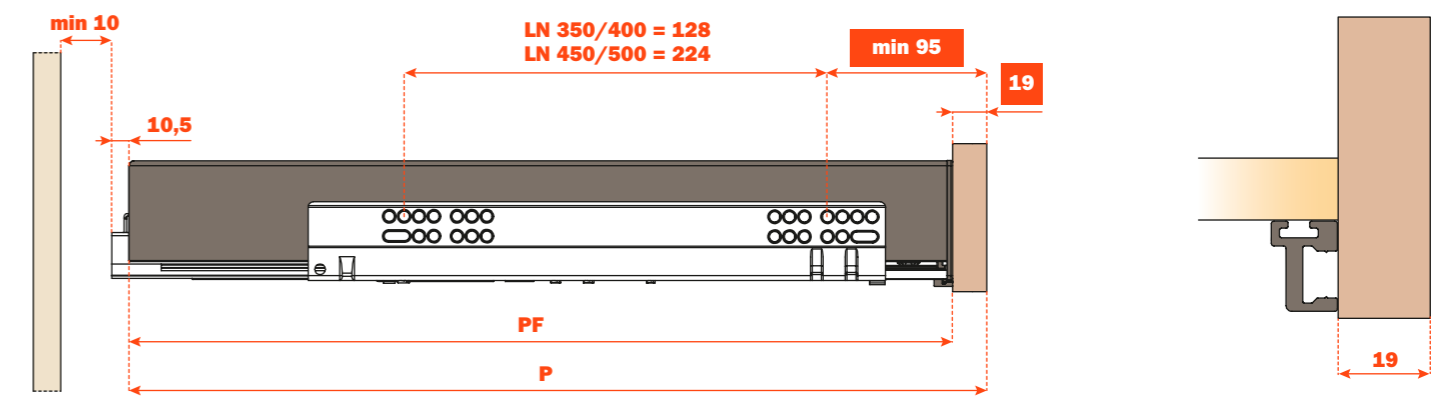
**Pull-out - Custom-made**

# Excessories - pull-out - technical information

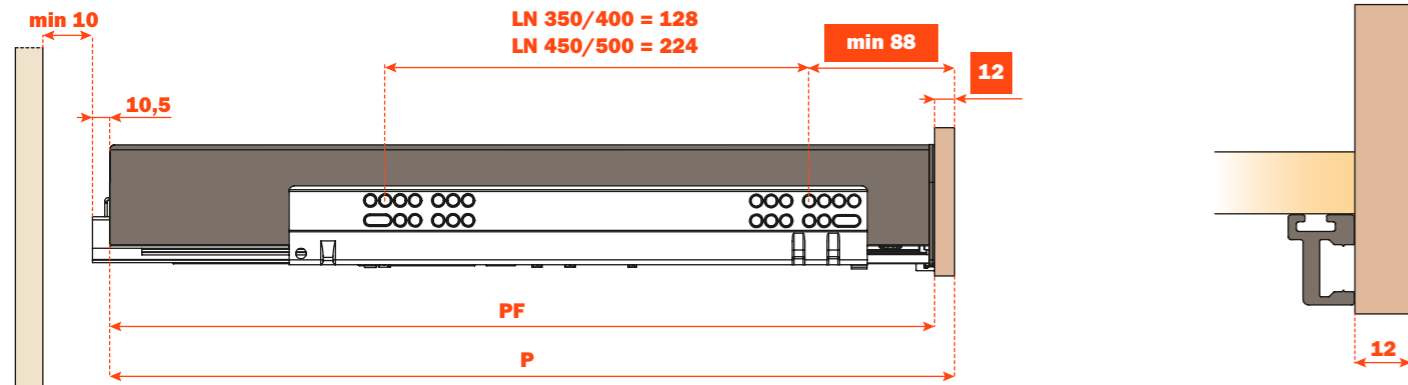
## 4-SIDED drawer



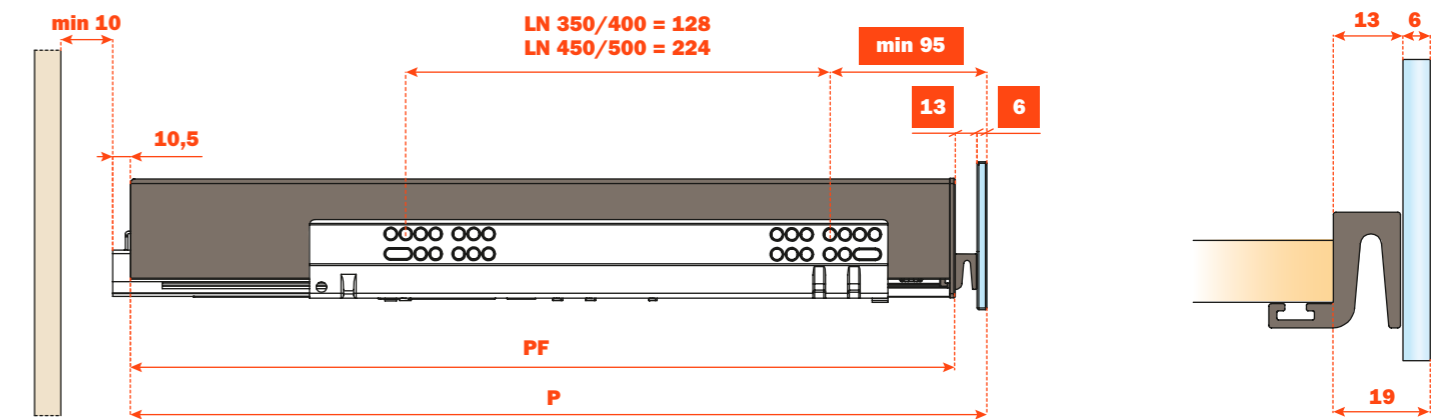
## 3-SIDED drawer For wooden frontal, 19 mm thick



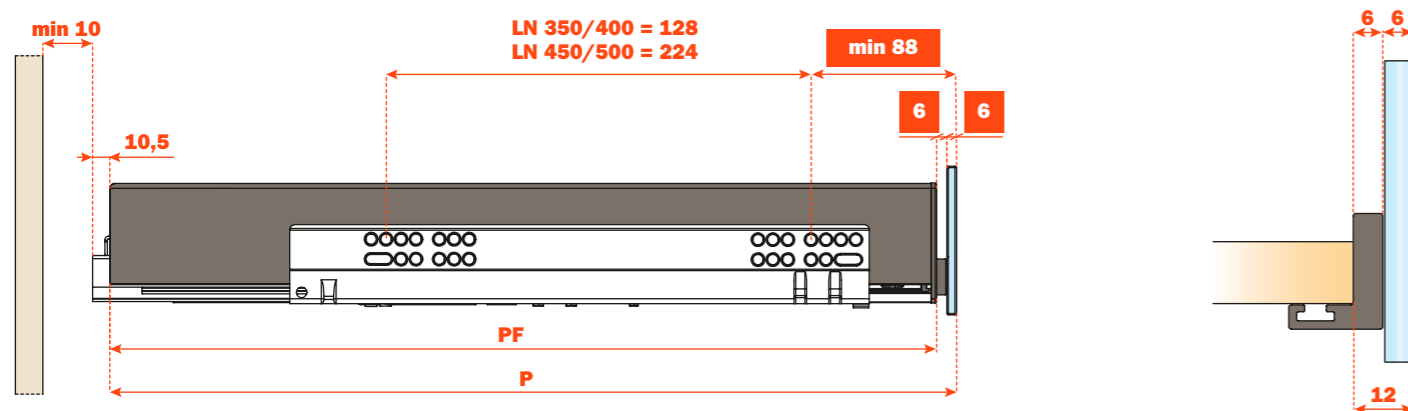
## 3-SIDED drawer For wooden frontal, 12 mm thick



## 3-SIDED drawer For glass frontal, 6 mm thick + profile, 13 mm thick



## 3-SIDED drawer For glass frontal, 6 mm thick + profile, 6 mm thick

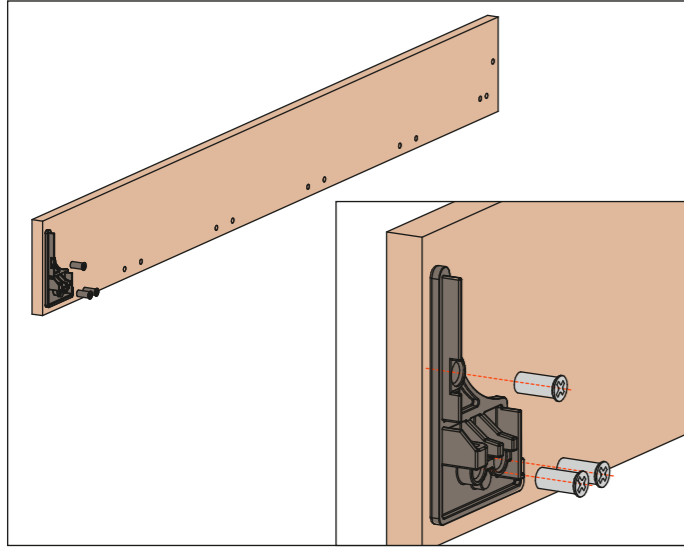


Runner length (LN) mm	Drawer depth (PF) mm	4-SIDED Drawer depth (P) mm	3-SIDED drawer depth (P) mm + wooden frontal, 12 mm thick or glass frontal, 6+6 mm thick	3-SIDED drawer depth (P) mm + wooden frontal, 19 mm thick or glass frontal, 6+13 mm thick
350	378	390	390	397
400	428	440	440	447
450	478	490	490	497
470	498	510	510	517
500	528	540	540	547

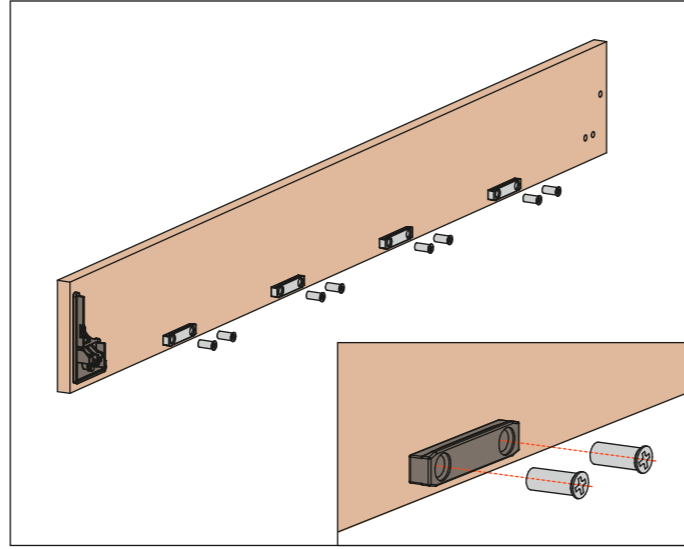
# Excessories - pull-out - assembly instructions

## WOODEN FRONTAL

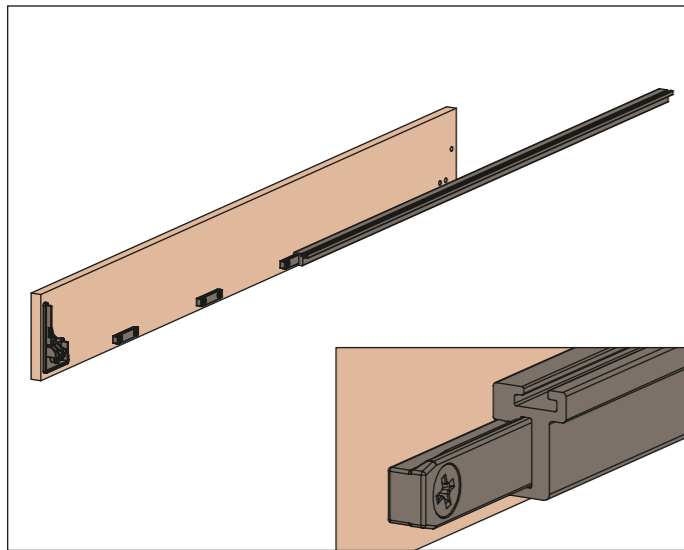
1. Screw the first cap to the frontal



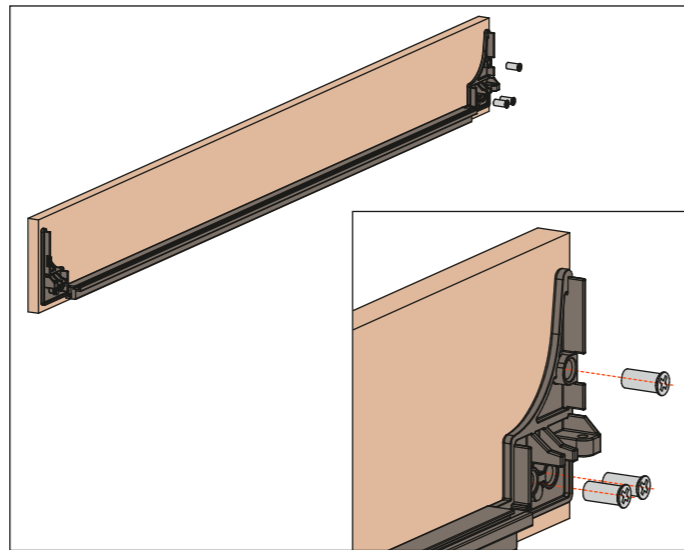
2. Screw the connecting elements to the frontal



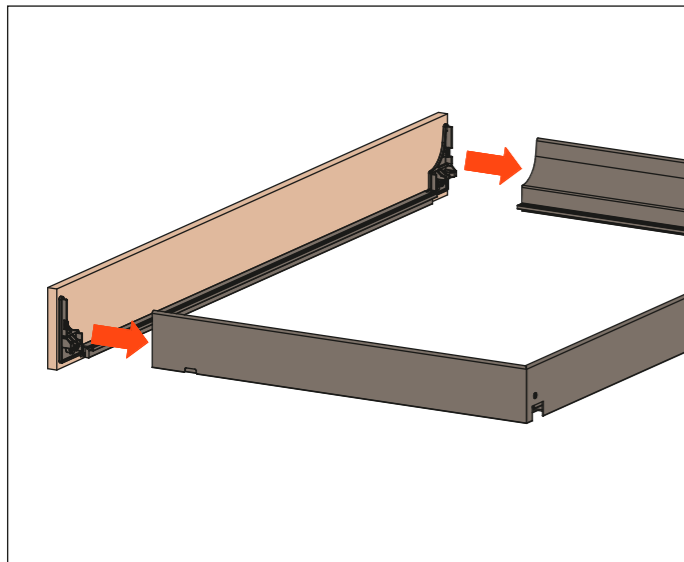
3. Insert and slide the front profile on the connecting elements



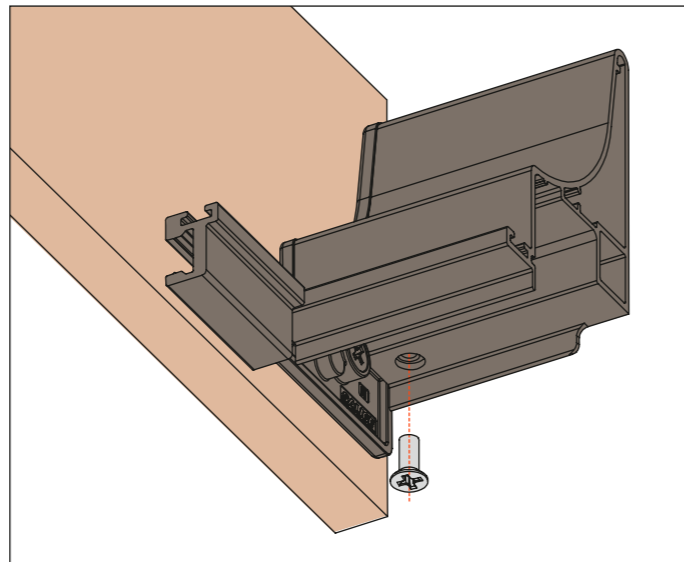
4. Screw the second cap to the frontal



5. Insert the caps in both sides

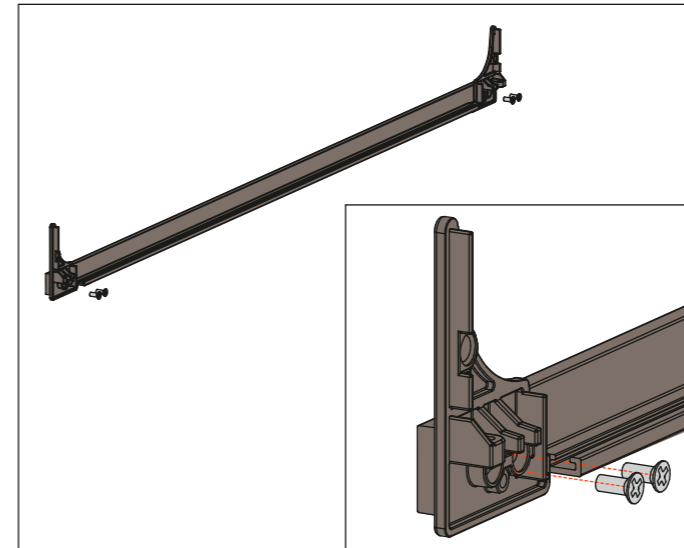


6. Fix the frontal to the drawer

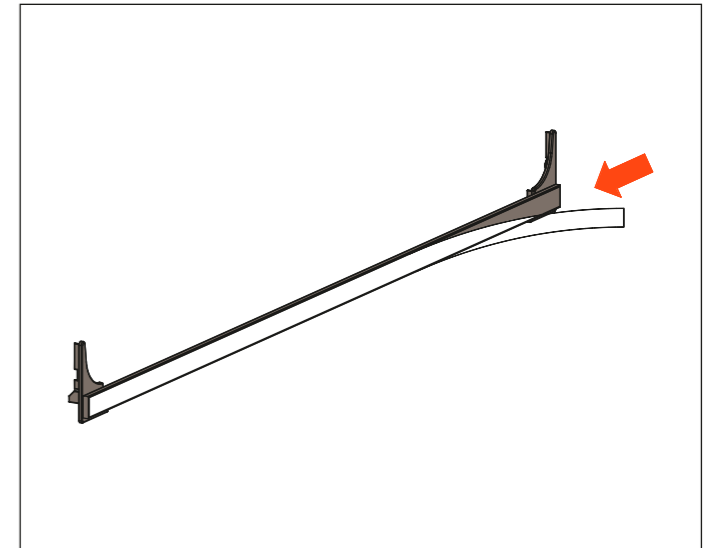


## GLASS FRONTAL

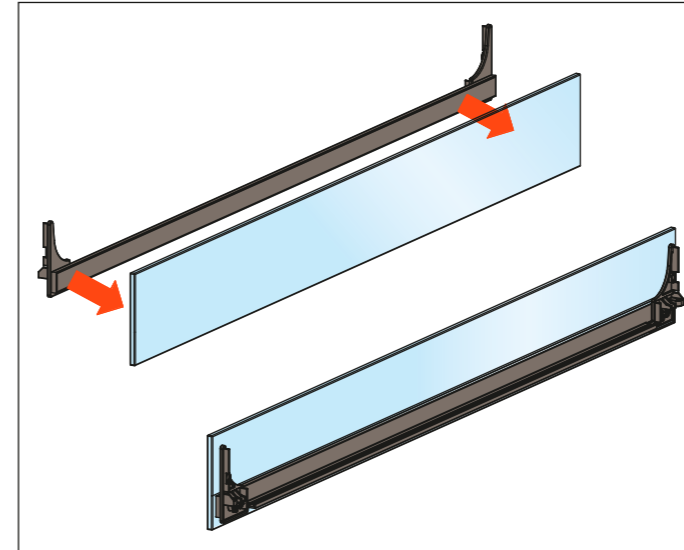
1. Fix the end caps to the front profile



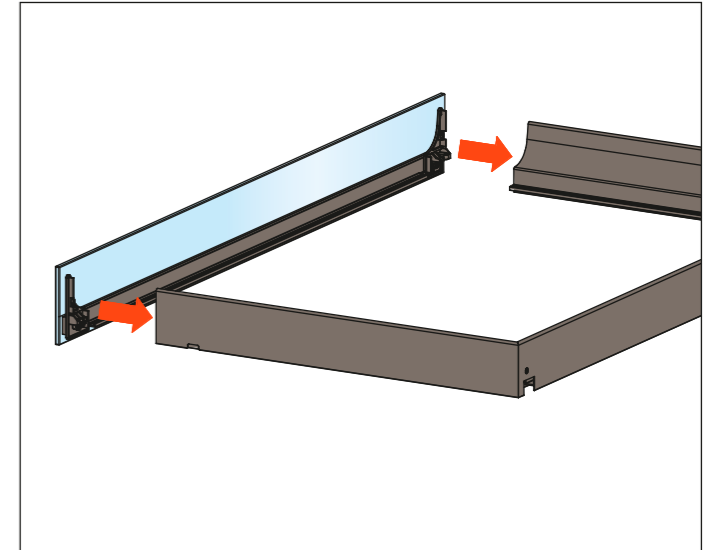
2. Remove the protective film from the adhesive tape that is pre-glued to the profile



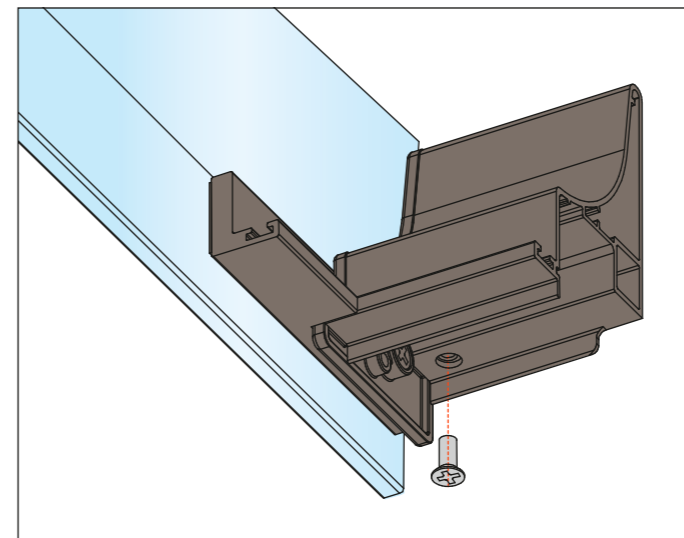
3. Press the profile firmly onto the glass



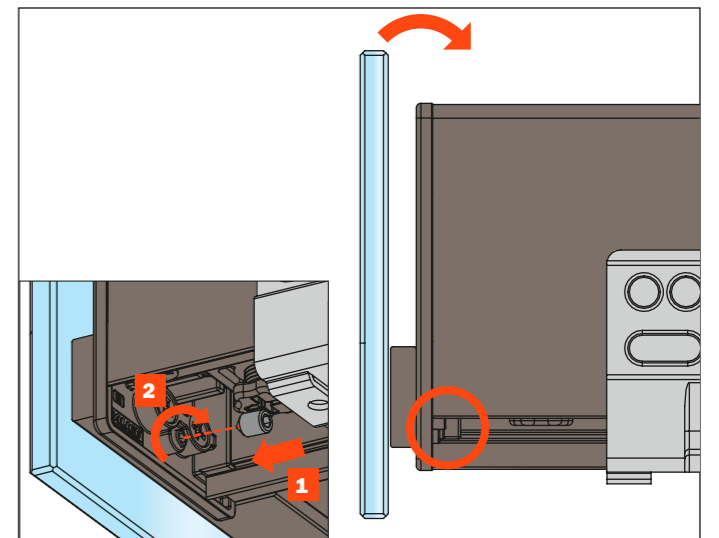
4. Profile fixed to the glass



5. Insert the end caps into the drawer side profile



6. Insert the grub screws and rotate them to adjust the frontal

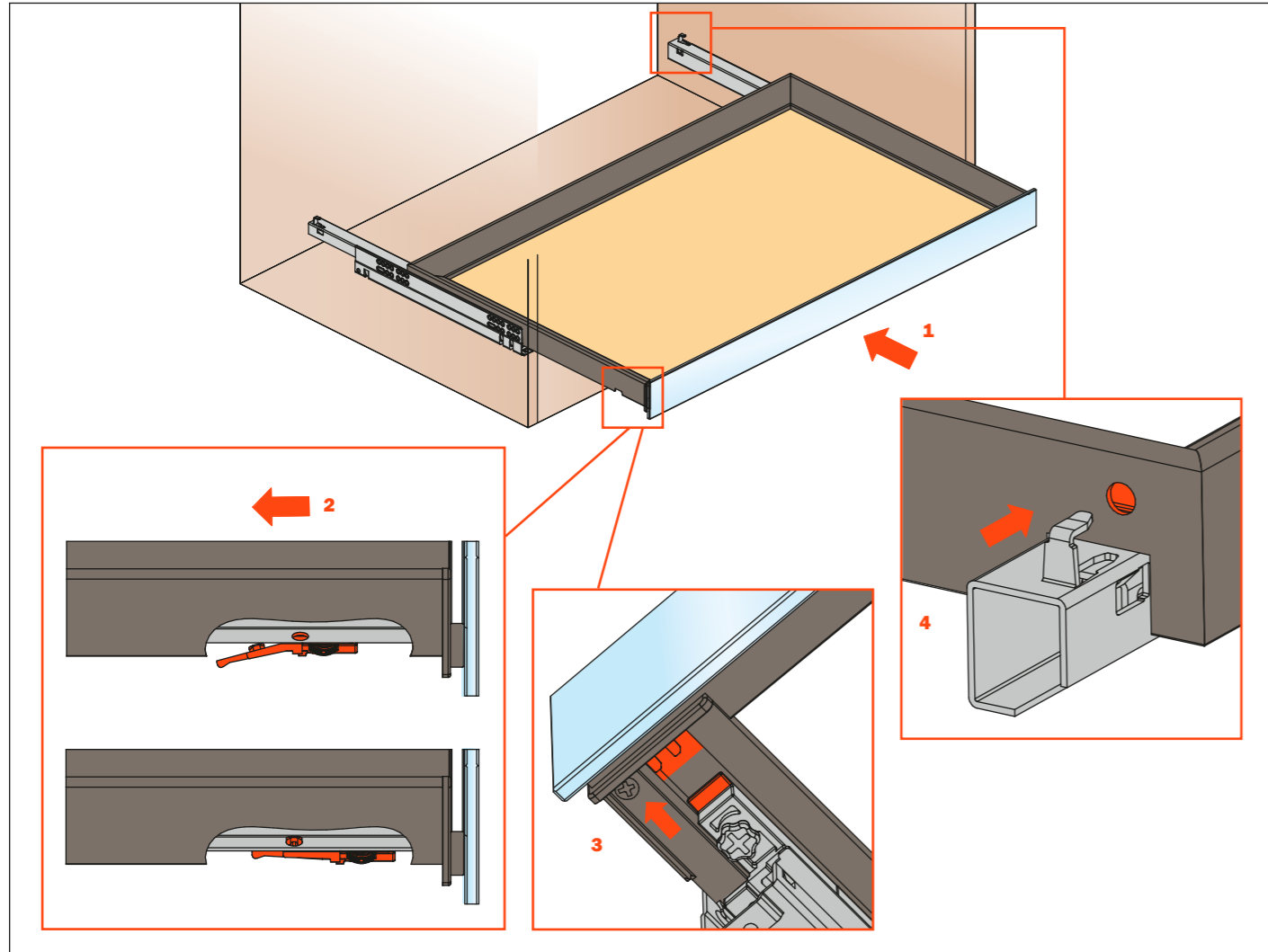




## Excessories - pull-out - technical information

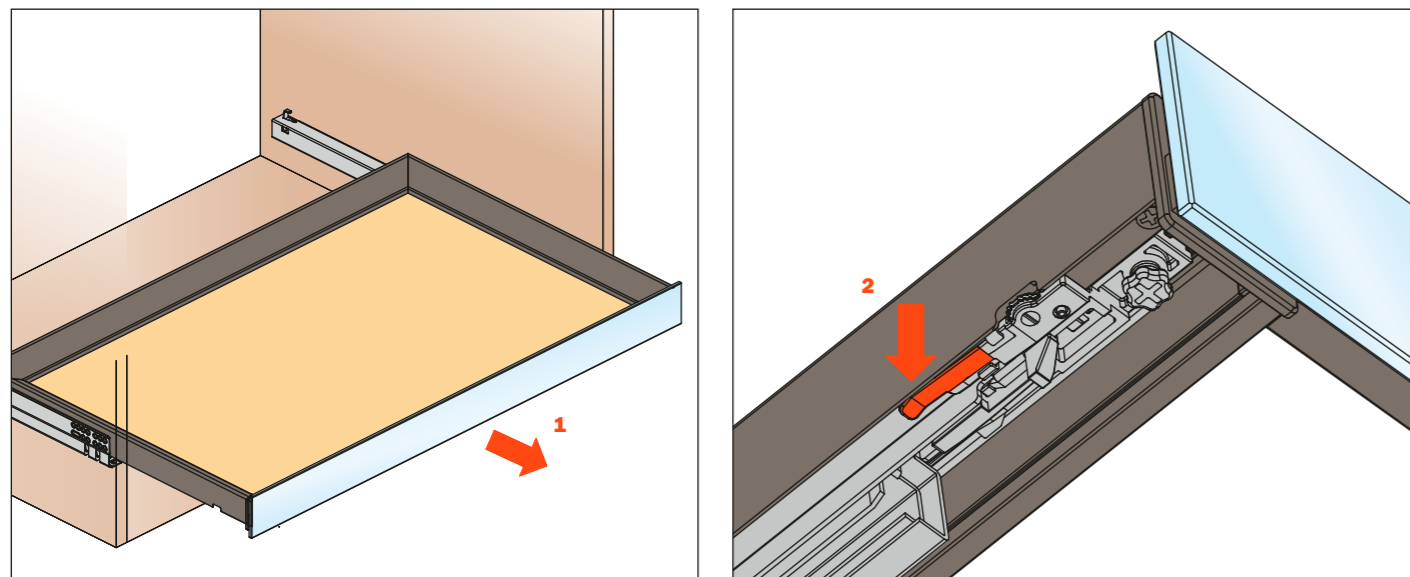
### Mounting the drawer onto the runners

1. Place the drawer on the runners and close it
2. The flexibility of the fixing system enables the clips to engage
3. Engage the locking pin to prevent the overturning of the drawer
4. Locate the rear hooks



### Disassembly of the drawer

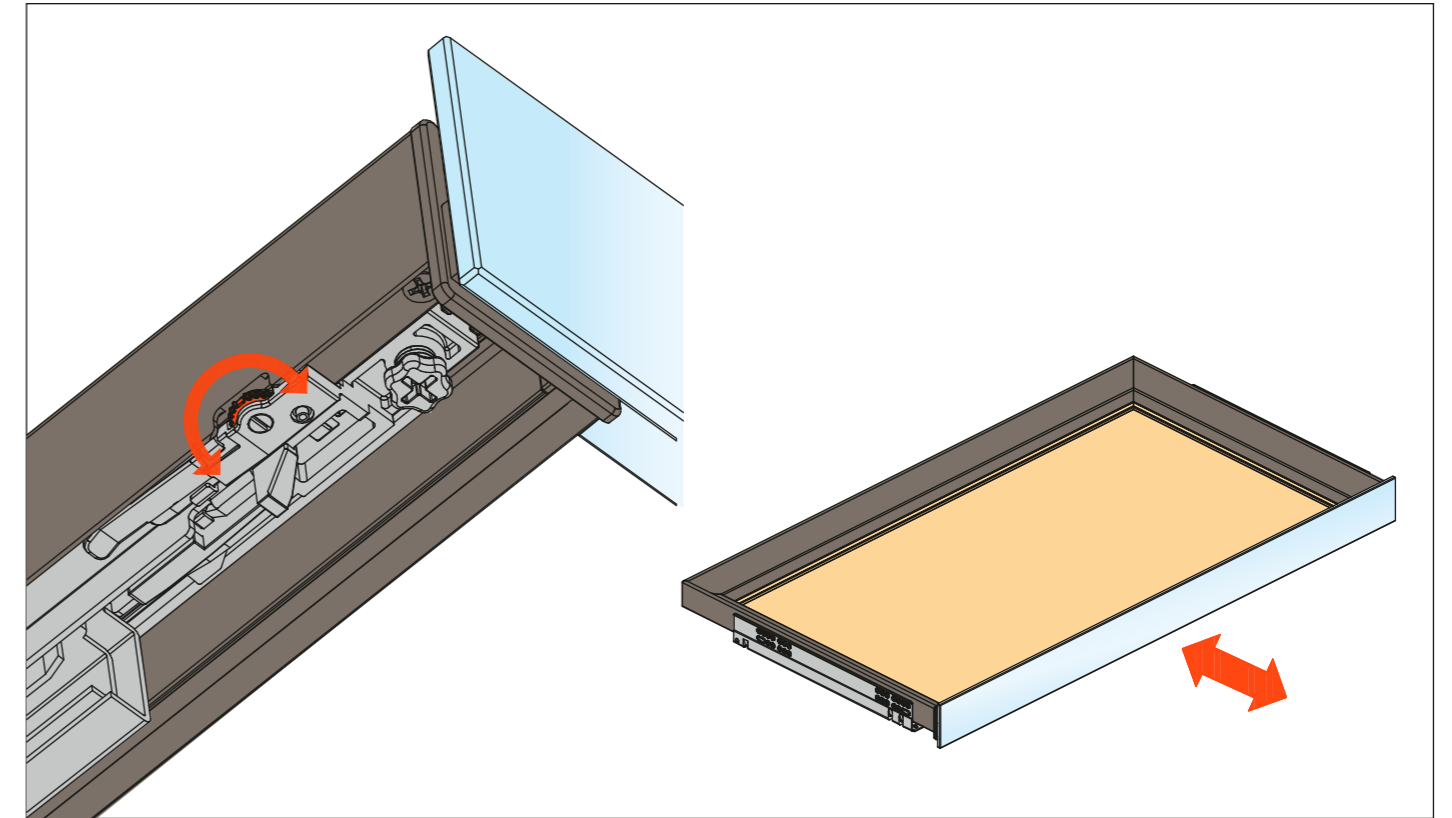
1. Open the drawer
2. Press down the lever indicated here below and pull out the drawer



## Adjustments

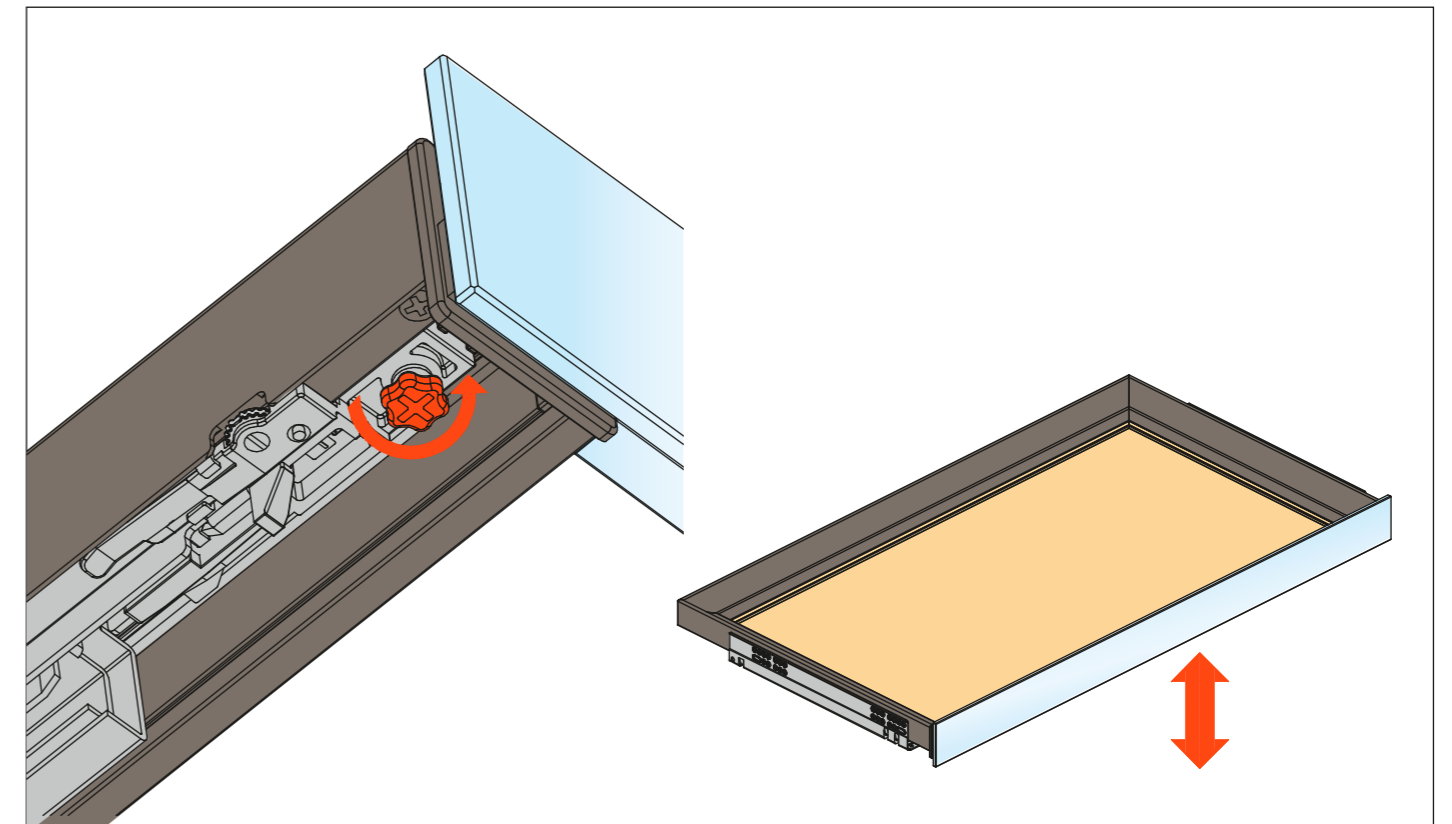
### Depth adjustment +2 -2 mm

Rotate the wheel towards the front of the drawer to move the drawer forward.  
Rotate the wheel towards the back of the drawer to move the drawer backward.  
This operation is tool free.



### Height adjustment + 5 mm

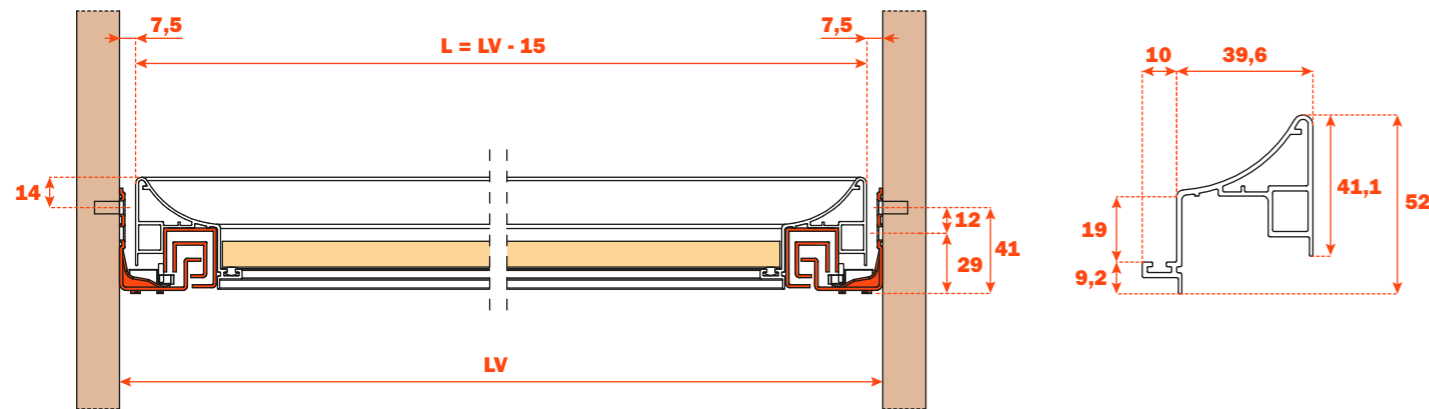
Rotate the lever towards the front of the drawer for the height adjustment.  
This operation is tool free.



# Excessories - pull-out - 3-sided drawer H 52 - wooden frontal

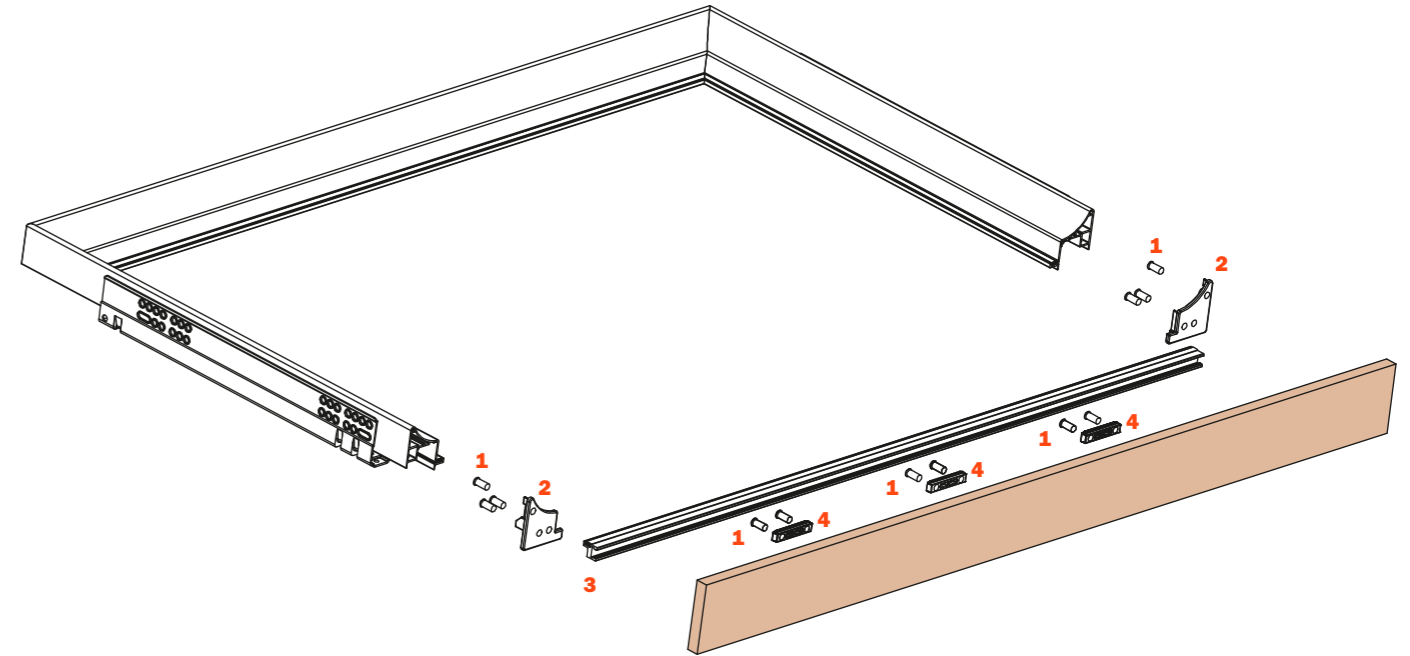
## Aluminium 3-sided drawer H 52 WOODEN FRONTAL H 75

- Profile height: 52 mm
- Max. drawer width: 1500 mm
- Material: epoxy-coated aluminium
- Finish: metal grey brown
- Equipped with full-extension Futura runners
- Integrated height and depth adjustments
- Equipped with anti-tipping device
- The drawers are supplied assembled complete with the gasket needed to hold in place the drawer bottom and accessories
- Frontal and bottom not included
- Bottom can be made of wood or glass

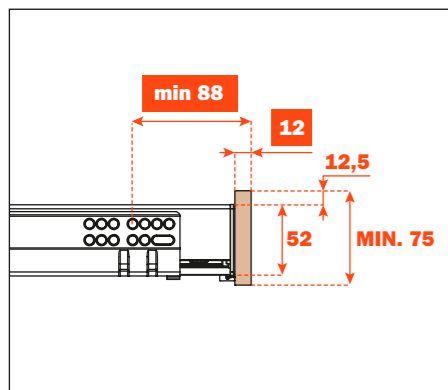


## Kit for the frontal fixing (to be ordered separately)

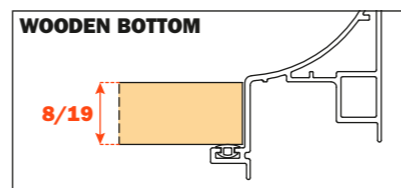
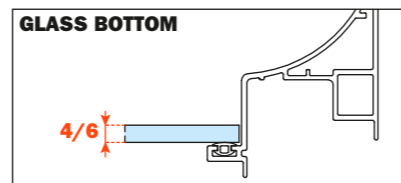
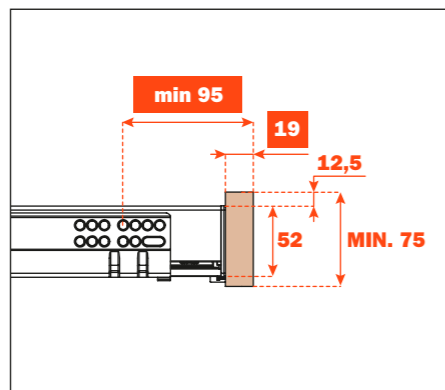
1. 6,3x14 mm TPSV Euro screws
2. Fixing caps
3. Aluminium profile
4. Connecting elements



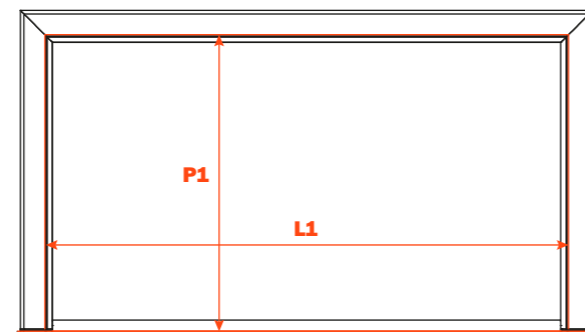
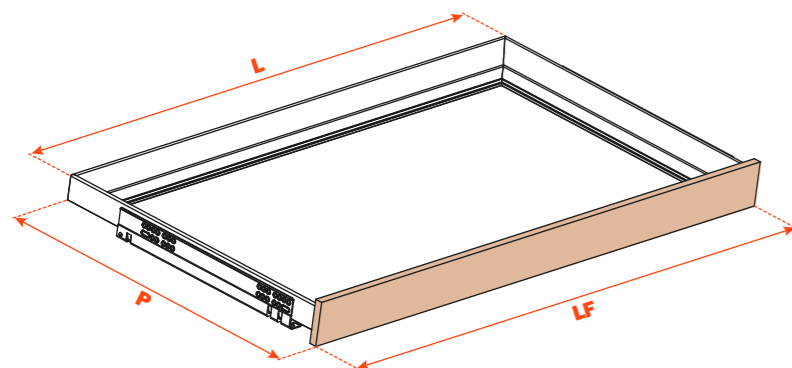
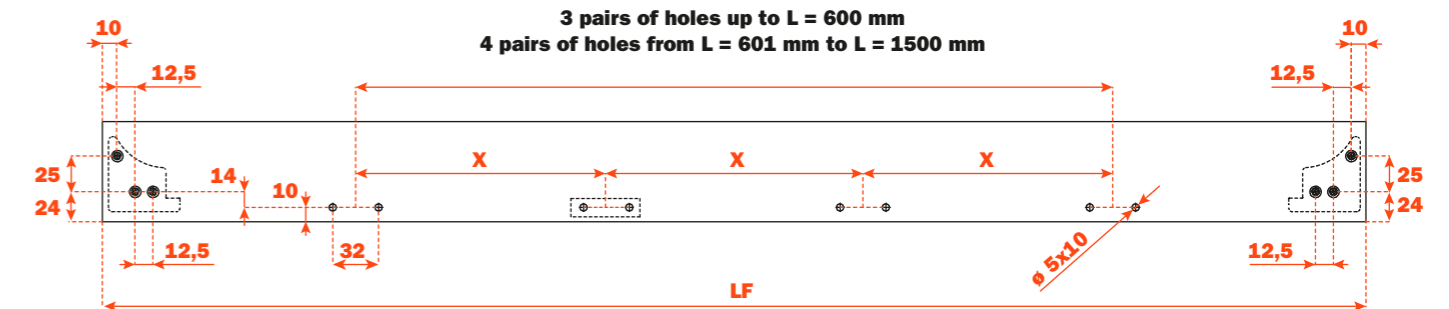
### ASSEMBLY WITH WOODEN FRONTAL, 12 mm THICKNESS



### ASSEMBLY WITH WOODEN FRONTAL, 19 mm THICKNESS



## Frontal drilling

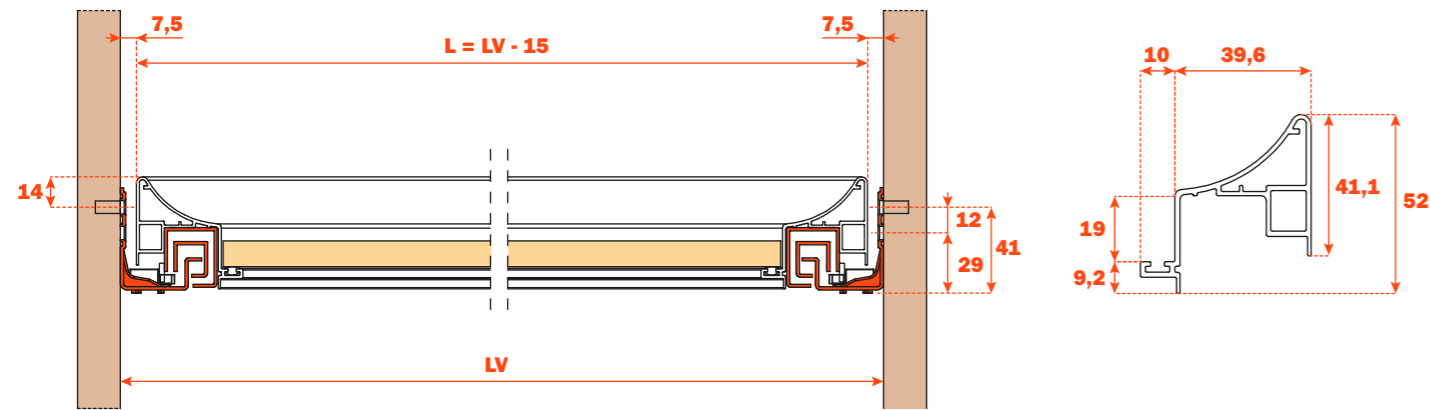


Runner length (LN) mm	Drawer width (L) mm	Frontal width (LF) mm	Internal width (L1) mm	Drawer depth (P) mm + wooden frontal 12 mm	Drawer depth (P) mm + wooden frontal 19 mm	Internal depth (P1) mm
350	LV - 15	LV - 6	L - 80	390	397	338
400				440	447	388
450				490	497	438
470				510	517	458
500				540	547	488

# Excessories - pull-out - 3-sided drawer H 52 - glass frontal

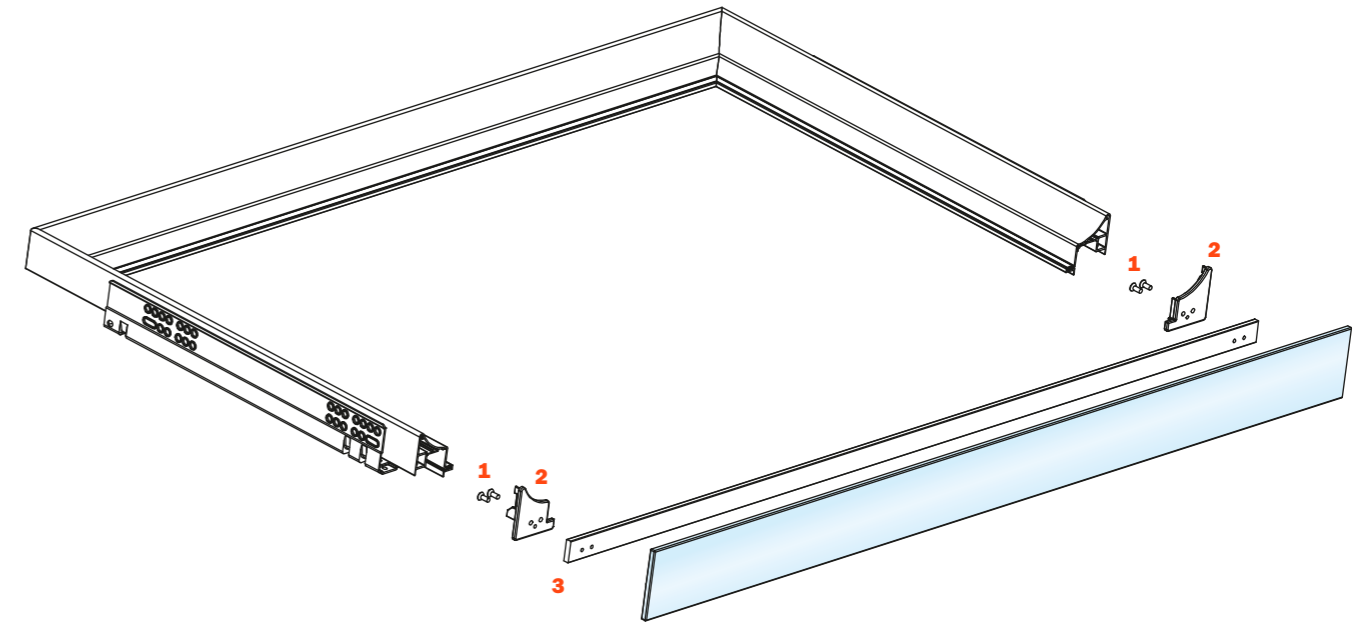
## Aluminium 3-sided drawer H 52 GLASS FRONTAL H 75

- Profile height: 52 mm
- Max. drawer width: 1500 mm
- Material: epoxy-coated aluminium
- Finish: metal grey brown
- Equipped with full-extension Futura runners
- Integrated height and depth adjustments
- Equipped with anti-tipping device
- The drawers are supplied assembled complete with the gasket needed to hold in place the drawer bottom and accessories
- Glass frontal upon request, bottom not included
- Bottom can be made of wood or glass

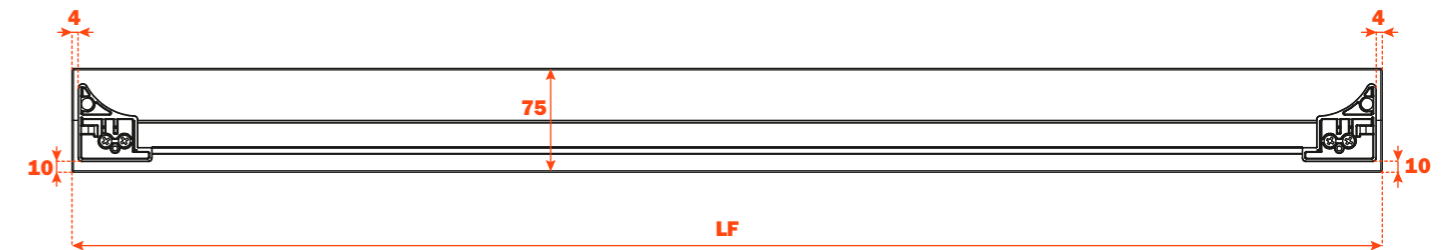


## Kit for the frontal fixing (to be ordered separately)

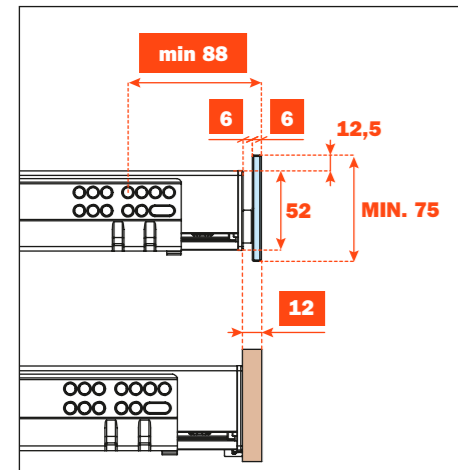
1. M 4x10 mm screws
2. Fixing caps
3. Aluminium profile with adhesive tape for fixing on the frontal



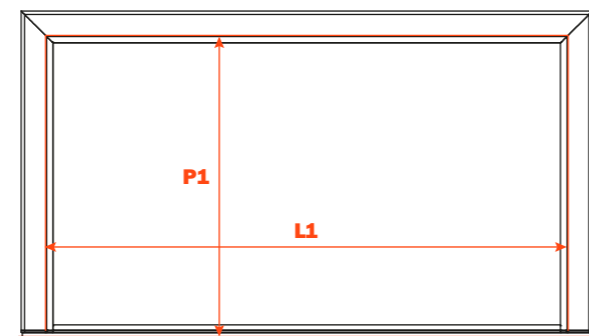
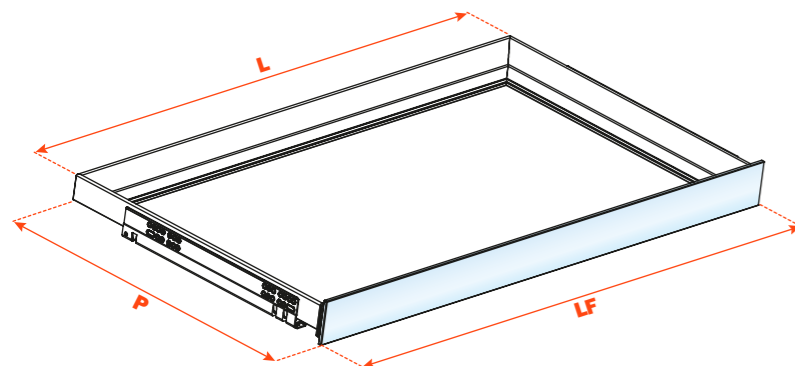
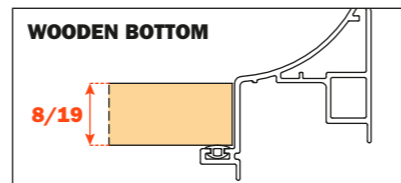
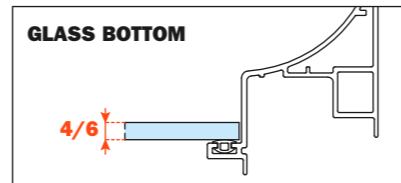
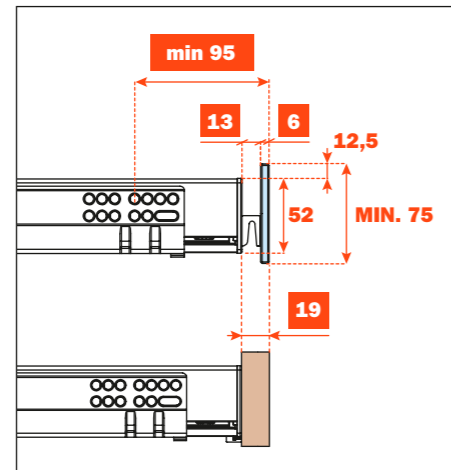
## Fixing the profile to the frontal



### ASSEMBLY WITH ALUMINIUM PROFILE 6 mm THICKNESS. ALIGNMENT WITH WOODEN FRONTAL 12 mm THICKNESS



### ASSEMBLY WITH ALUMINIUM PROFILE 13 mm THICKNESS. ALIGNMENT WITH WOODEN FRONTAL 19 mm THICKNESS



### GLASS FRONTAL, 6 mm THICKNESS - ALUMINIUM PROFILE, 6 mm THICKNESS

Runner length (LN) mm	Drawer width (L) mm	Frontal width (LF) mm	Internal width (L1) mm	Drawer depth (P) mm	Internal depth (P1) mm
350	LV - 15	LV - 6	L - 80	390	338
400				440	388
450				490	438
470				510	458
500				540	488

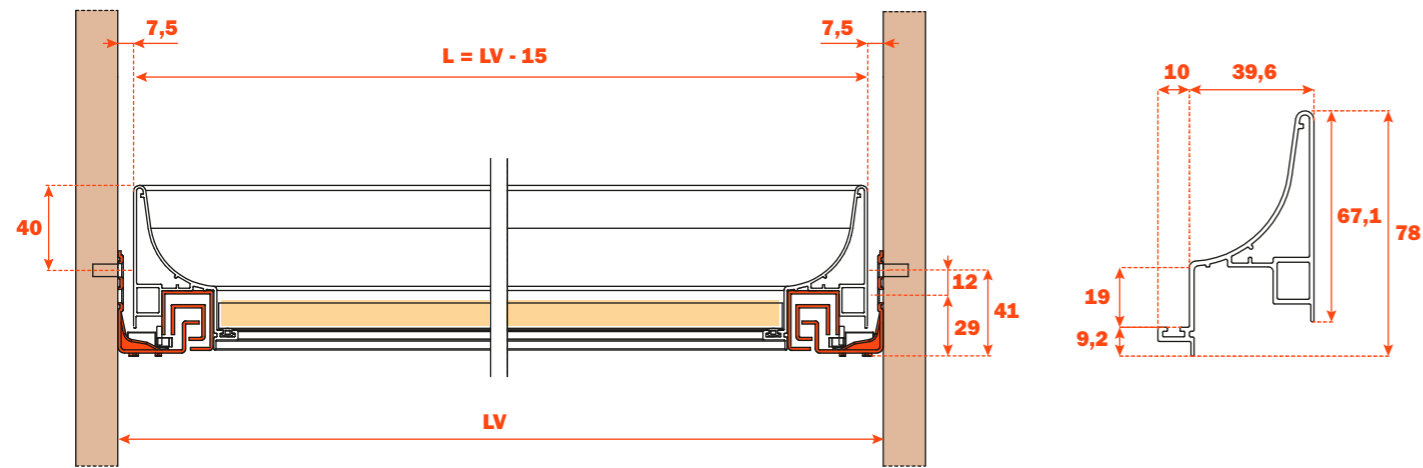
### GLASS FRONTAL, 6 mm THICKNESS - ALUMINIUM PROFILE, 13 mm THICKNESS

Runner length (LN) mm	Drawer width (L) mm	Frontal width (LF) mm	Internal width (L1) mm	Drawer depth (P) mm	Internal depth (P1) mm
350	LV - 15	LV - 6	L - 80	397	338
400				447	388
450				497	438
470				517	458
500				547	488

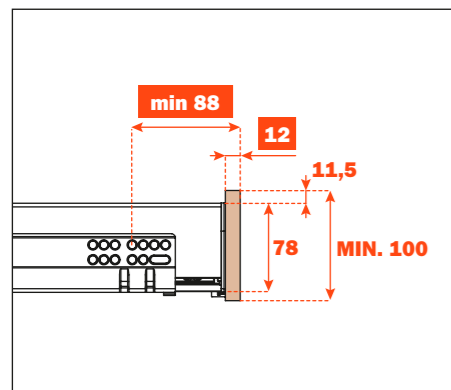
# Excessories - pull-out - 3-sided drawer H 78 - wooden frontal

## Aluminium 3-sided drawer H 78 WOODEN FRONTAL H 100

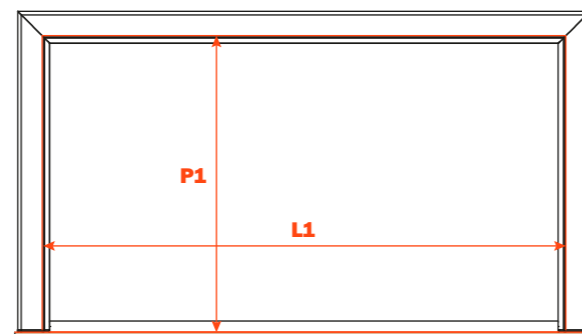
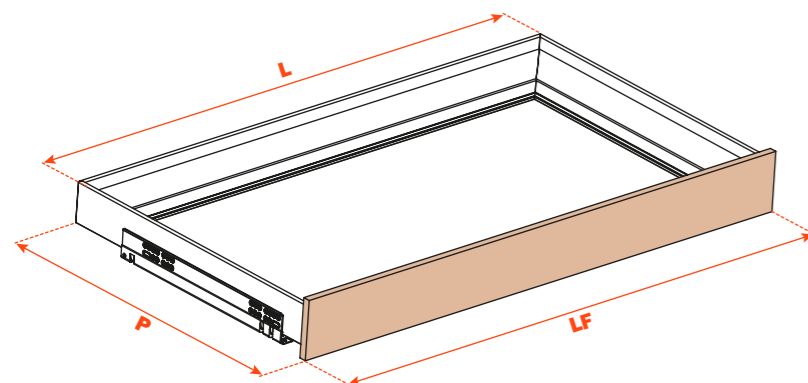
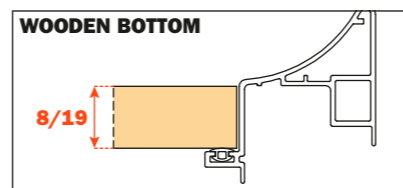
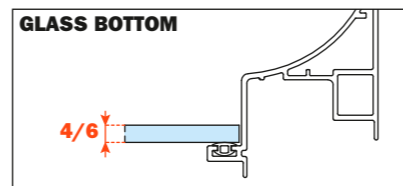
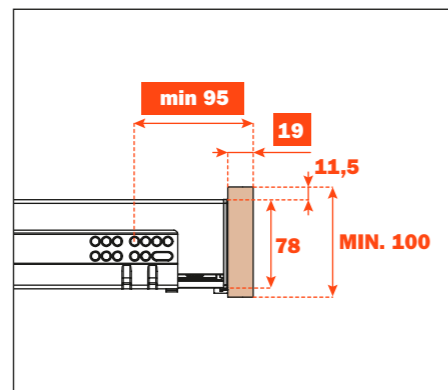
- Profile height: 78 mm
- Max. drawer width: 1500 mm
- Material: epoxy-coated aluminium
- Finish: metal grey brown
- Equipped with full-extension Futura runners
- Integrated height and depth adjustments
- Equipped with anti-tipping device
- The drawers are supplied assembled complete with the gasket needed to hold in place the drawer bottom and accessories
- Frontal and bottom not included
- Bottom can be made of wood or glass



ASSEMBLY WITH WOODEN FRONTAL,  
12 mm THICKNESS

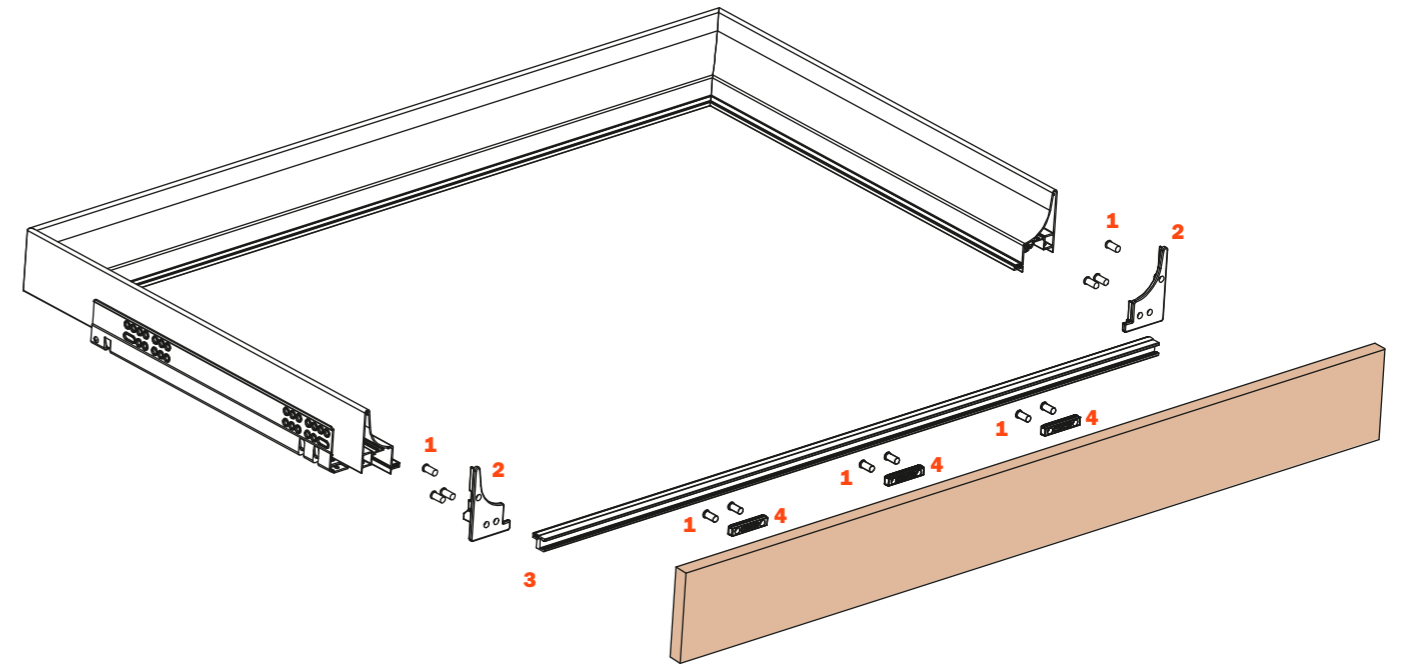


ASSEMBLY WITH WOODEN FRONTAL,  
19 mm THICKNESS

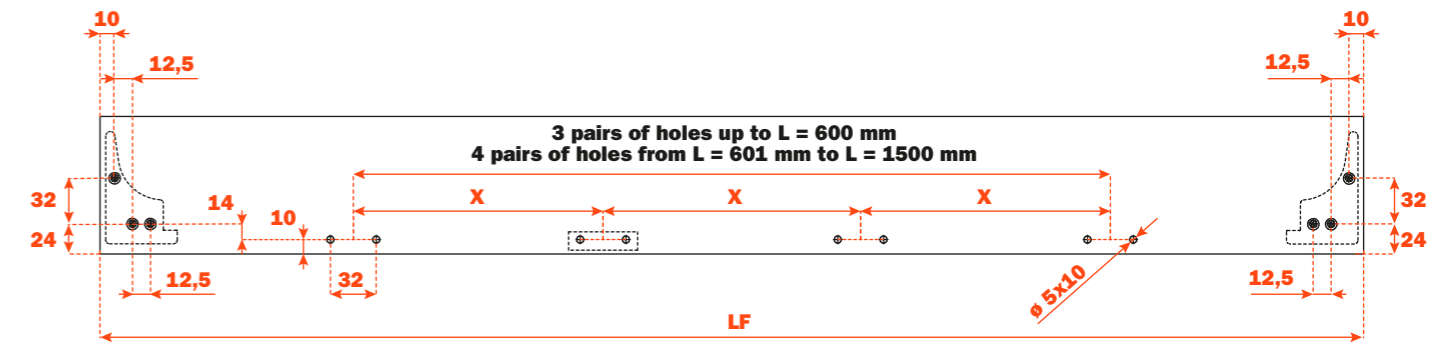


## Kit for the frontal fixing (to be ordered separately)

1. 6,3x14 mm TPSV Euro screws
2. Fixing caps
3. Aluminium profile
4. Connecting elements



## Frontal drilling

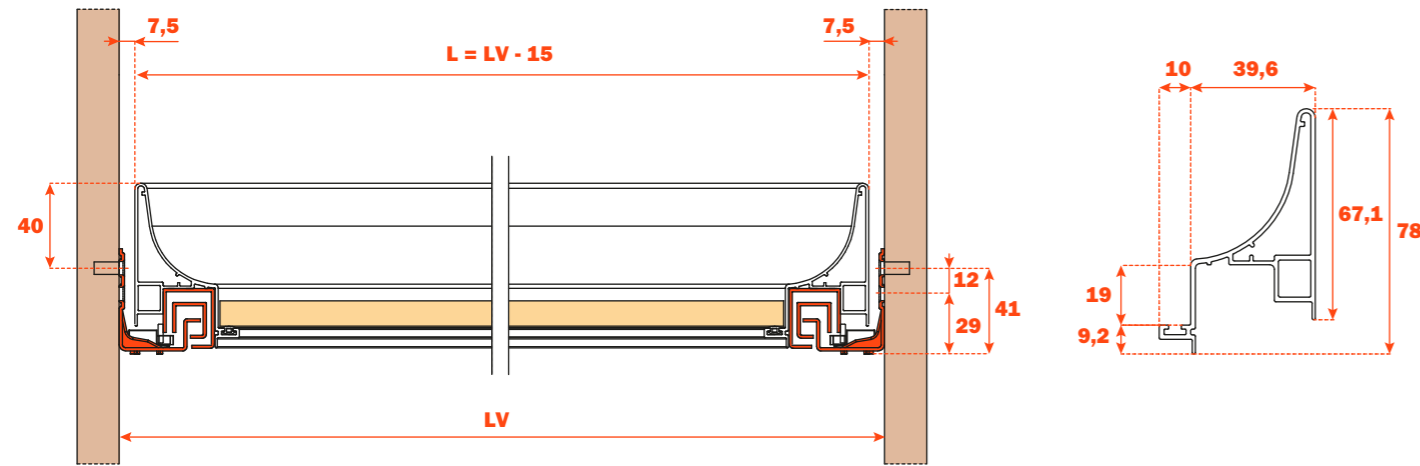


Runner length (LN) mm	Drawer width (L) mm	Frontal width (LF) mm	Internal width (L1) mm	Drawer depth (P) mm + wooden frontal 12 mm	Drawer depth (P) mm + wooden frontal 19 mm	Internal depth (P1) mm
350	LV - 15	LV - 6	L - 80	390	397	338
400				440	447	388
450				490	497	438
470				510	517	458
500				540	547	488

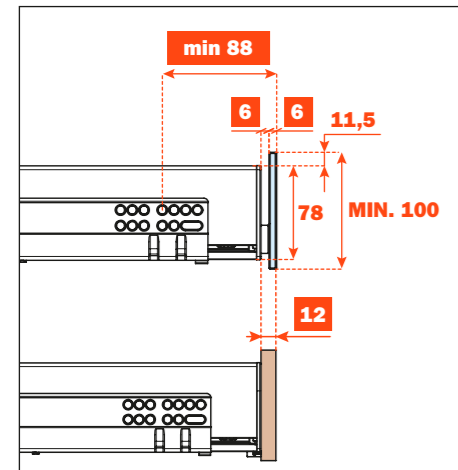
# Excessories - pull-out - 3-sided drawer H 78 - glass frontal

## Aluminium 3-sided drawer H 78 GLASS FRONTAL H 100

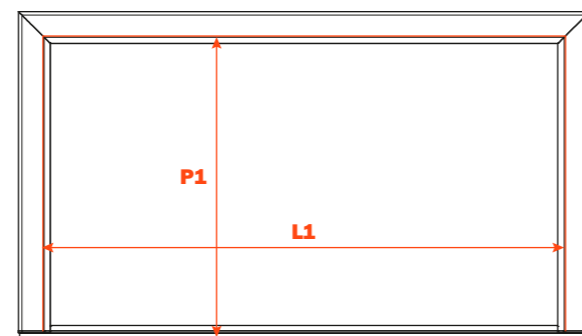
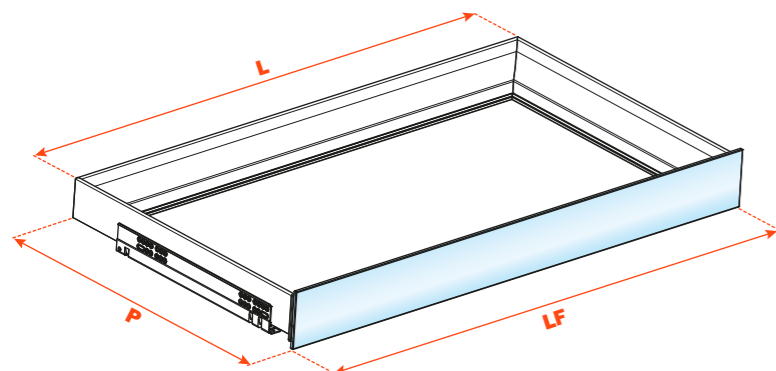
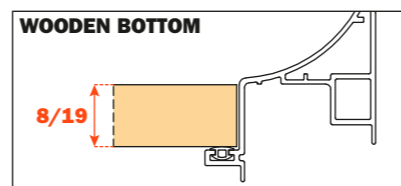
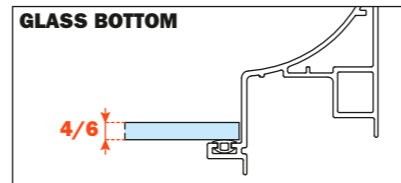
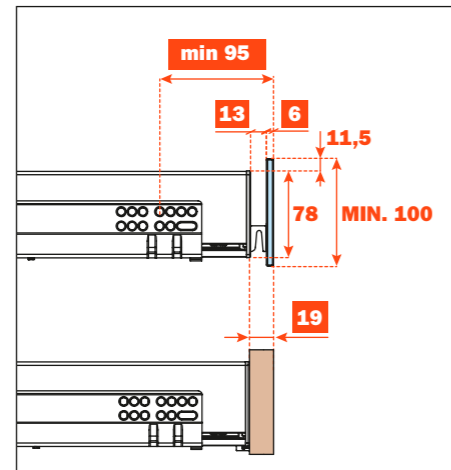
- Profile height: 78 mm
- Max. drawer width: 1500 mm
- Material: epoxy-coated aluminium
- Finish: metal grey brown
- Equipped with full-extension Futura runners
- Integrated height and depth adjustments
- Equipped with anti-tipping device
- The drawers are supplied assembled complete with the gasket needed to hold in place the drawer bottom and accessories
- Glass frontal upon request, bottom not included
- Bottom can be made of wood or glass



### ASSEMBLY WITH ALUMINIUM PROFILE 6 mm THICKNESS. ALIGNMENT WITH WOODEN FRONTAL 12 mm THICKNESS

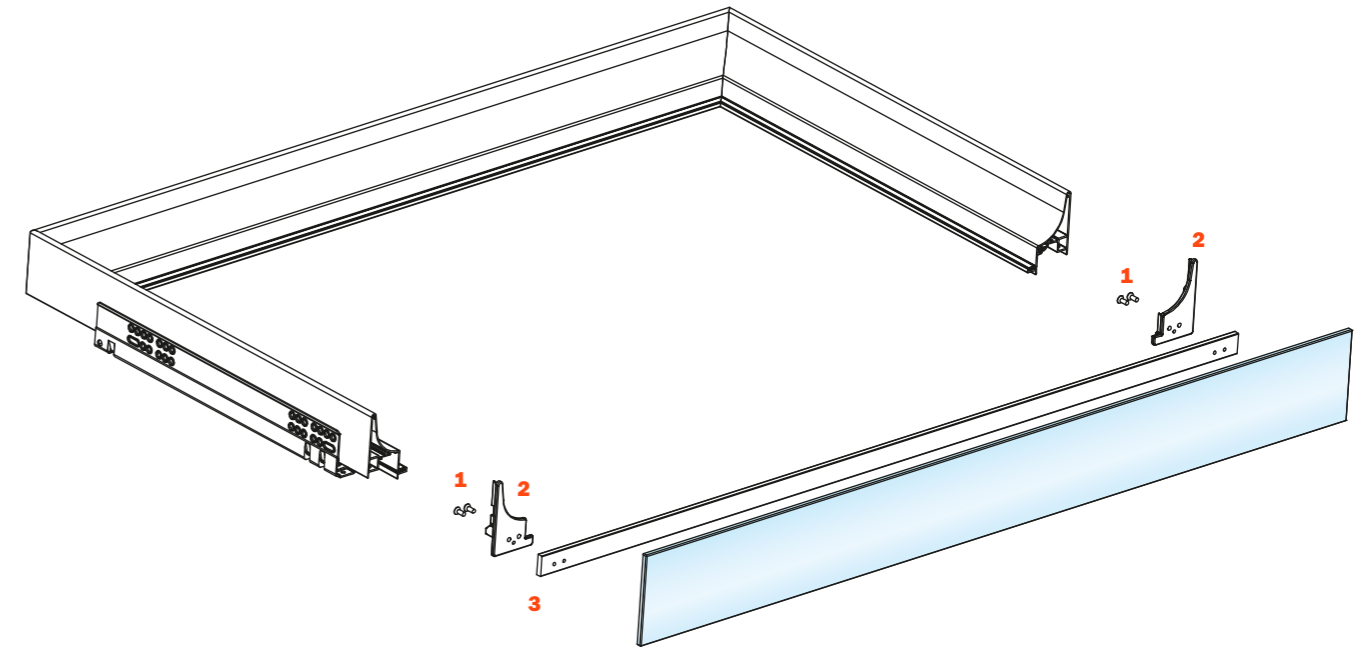


### ASSEMBLY WITH ALUMINIUM PROFILE 13 mm THICKNESS. ALIGNMENT WITH WOODEN FRONTAL 19 mm THICKNESS

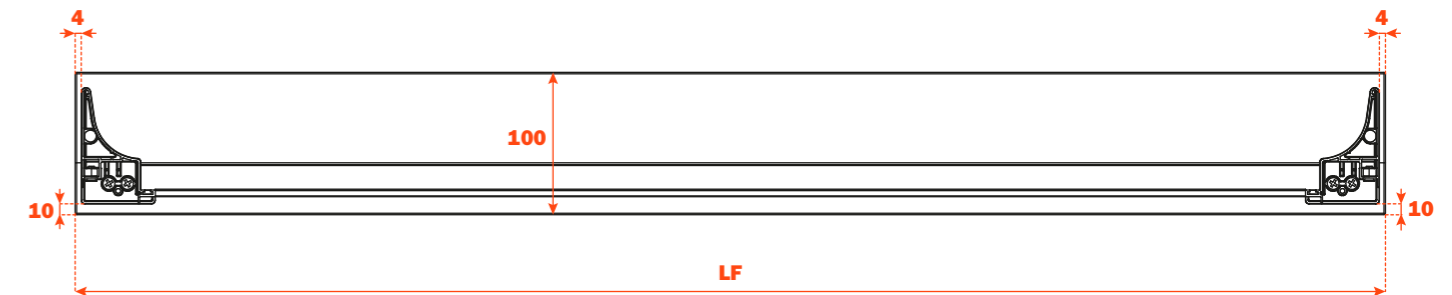


## Kit for the frontal fixing (to be ordered separately)

1. M 4x10 mm screws
2. Fixing caps
3. Aluminium profile with adhesive tape for fixing on the frontal



## Fixing the profile to the frontal



### GLASS FRONTAL, 6 mm THICKNESS - ALUMINIUM PROFILE, 6 mm THICKNESS

Runner length (LN) mm	Drawer width (L) mm	Frontal width (LF) mm	Internal width (L1) mm	Drawer depth (P) mm	Internal depth (P1) mm
350	LV - 15	LV - 6	L - 80	390	338
400				440	388
450				490	438
470				510	458
500				540	488

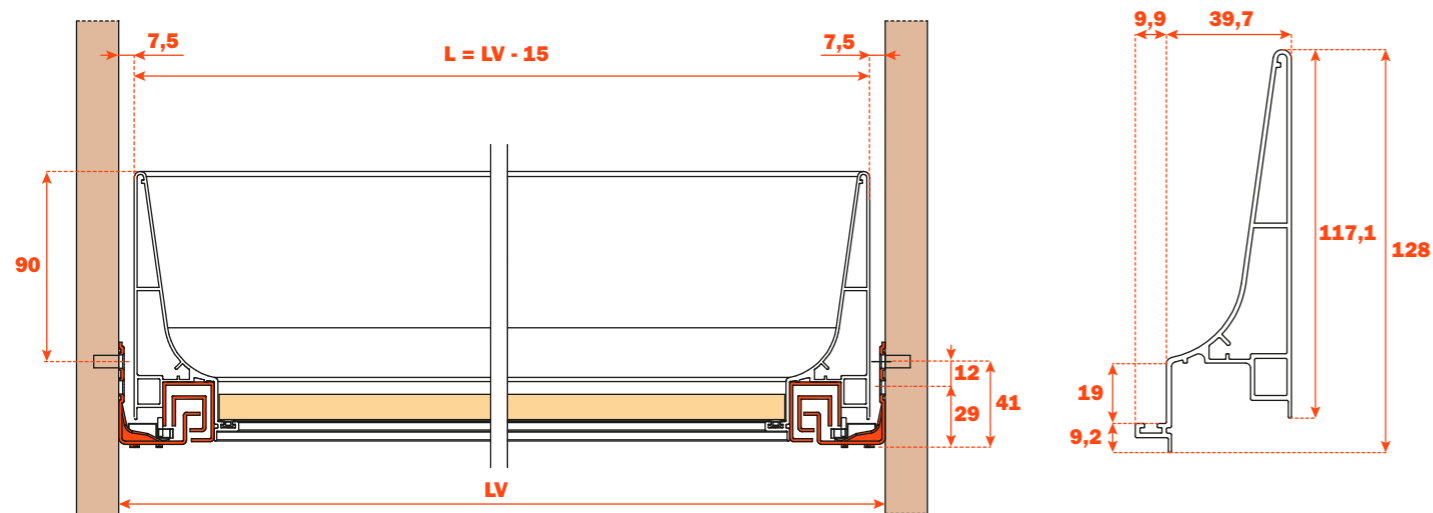
### GLASS FRONTAL, 6 mm THICKNESS - ALUMINIUM PROFILE, 13 mm THICKNESS

Runner length (LN) mm	Drawer width (L) mm	Frontal width (LF) mm	Internal width (L1) mm	Drawer depth (P) mm	Internal depth (P1) mm
350	LV - 15	LV - 6	L - 80	397	338
400				447	388
450				497	438
470				517	458
500				547	488

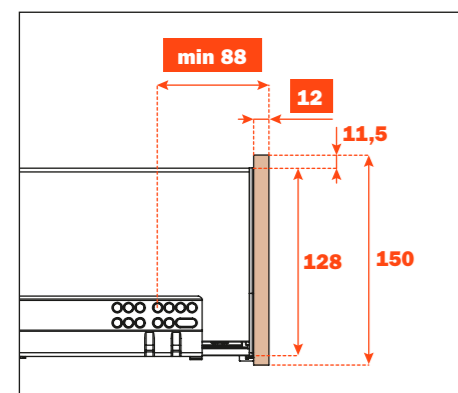
# Excessories - pull-out - 3-sided drawer H 128 - wooden frontal

## Aluminium 3-sided drawer H 128 WOODEN FRONTAL H 150

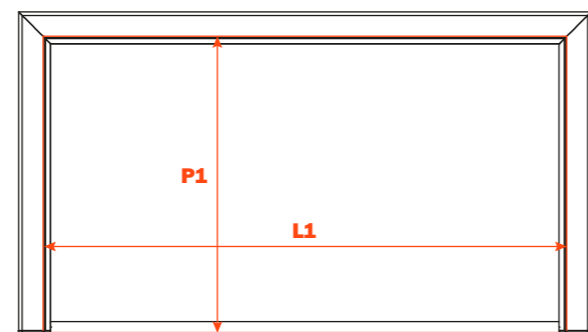
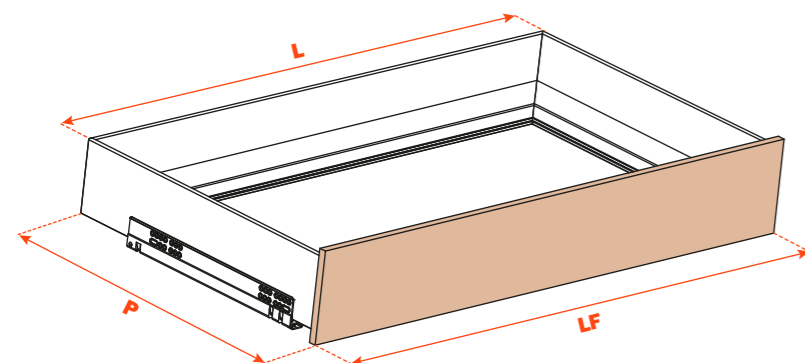
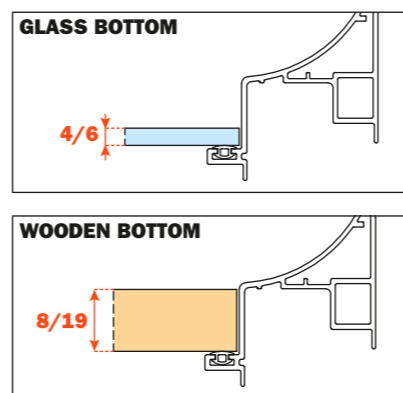
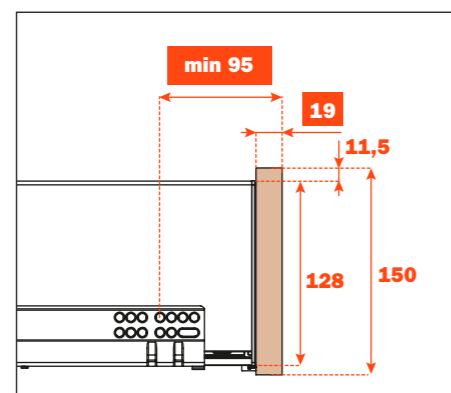
- Profile height: 128 mm
- Max. drawer width: 1500 mm
- Material: epoxy-coated aluminium
- Finish: metal grey brown
- Equipped with full-extension Futura runners
- Integrated height and depth adjustments
- Equipped with anti-tipping device
- The drawers are supplied assembled complete with the gasket needed to hold in place the drawer bottom and accessories
- Frontal and bottom not included
- Bottom can be made of wood or glass



ASSEMBLY WITH WOODEN FRONTAL,  
12 mm THICKNESS

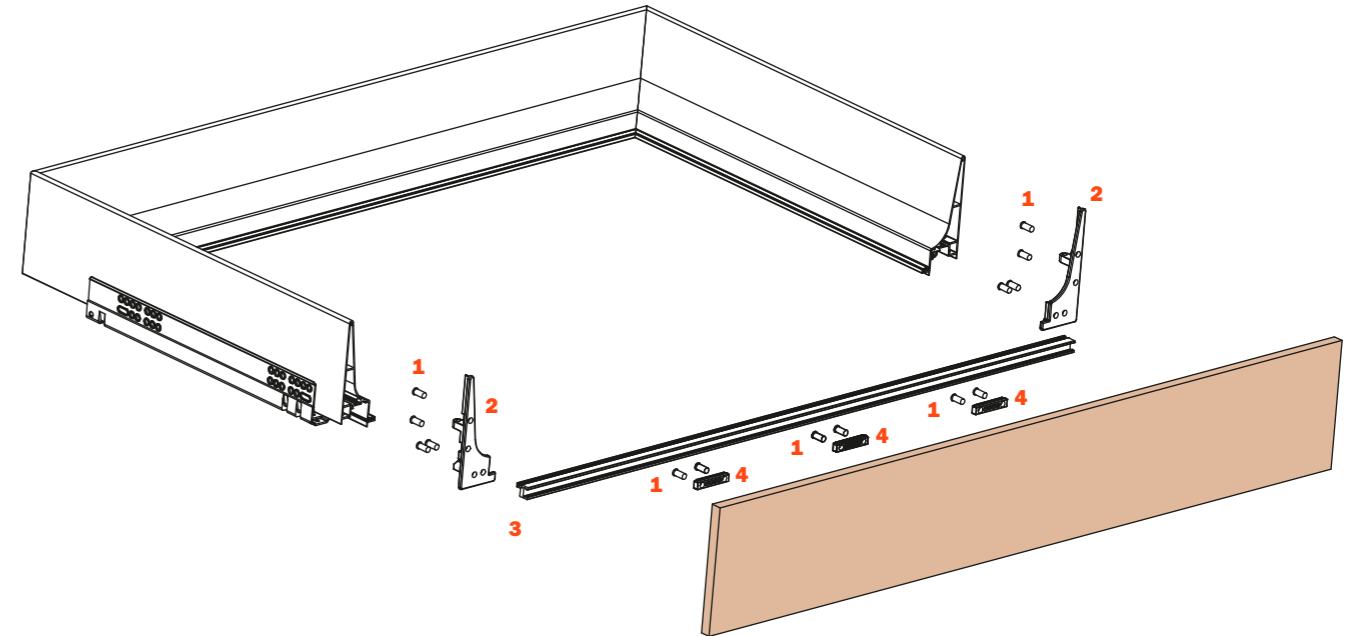


ASSEMBLY WITH WOODEN FRONTAL,  
19 mm THICKNESS

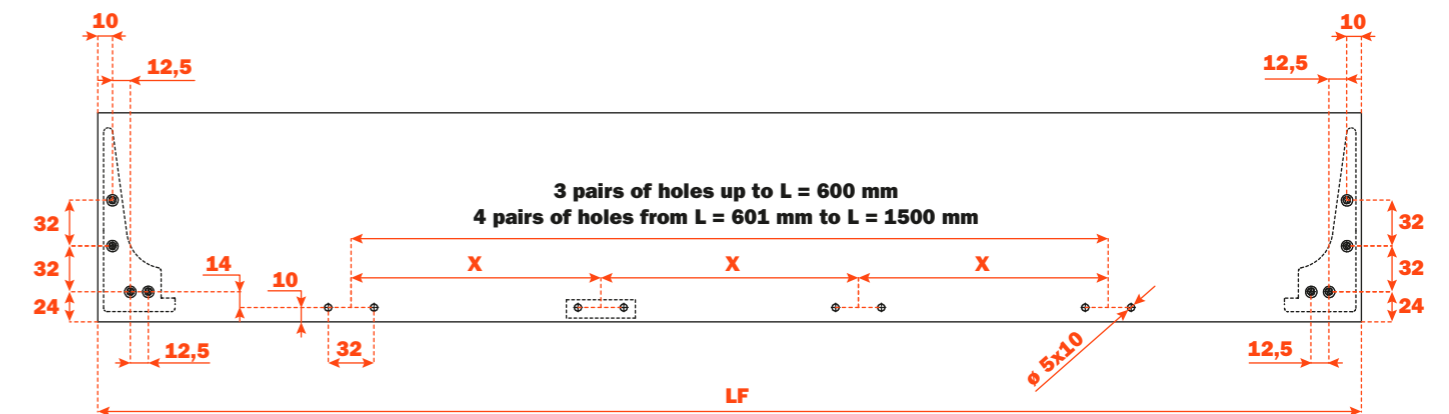


## Kit for the frontal fixing (to be ordered separately)

1. 6,3x14 mm TPSV Euro screws
2. Fixing caps
3. Aluminium profile
4. Connecting elements



## Frontal drilling

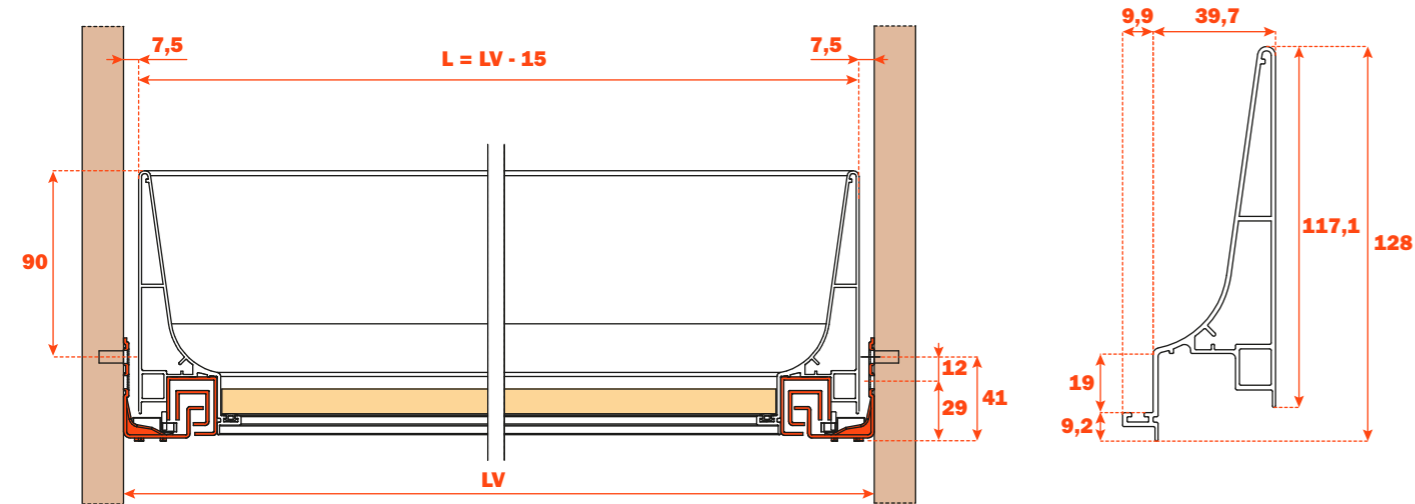


Runner length (LN) mm	Drawer width (L) mm	Frontal width (LF) mm	Internal width (L1) mm	Drawer depth (P) mm + wooden frontal 12 mm	Drawer depth (P) mm + wooden frontal 19 mm	Internal depth (P1) mm
350	LV - 15	LV - 6	L - 80	390	397	338
400				440	447	388
450				490	497	438
470				510	517	458
500				540	547	488

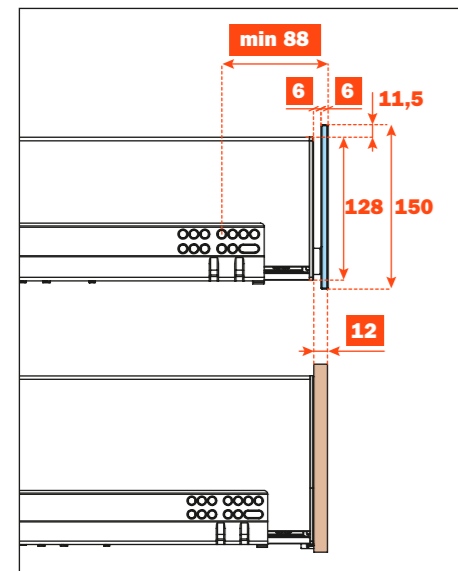
# Excessories - pull-out - 3-sided drawer H 128 - glass frontal

## Aluminium 3-sided drawer H 128 GLASS FRONTAL H 150

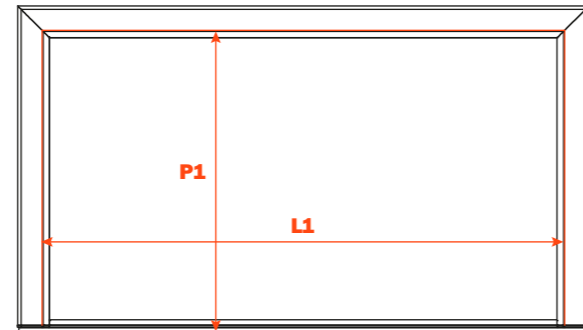
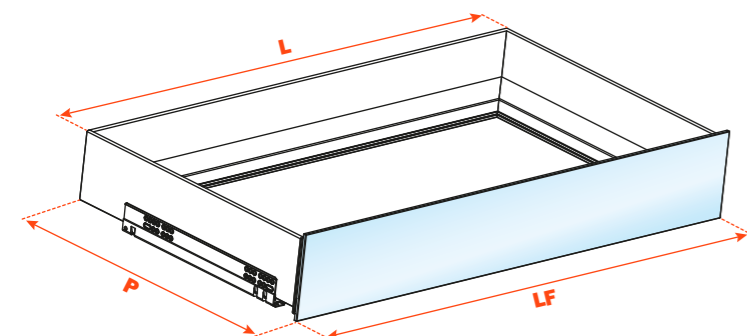
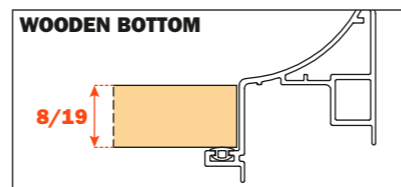
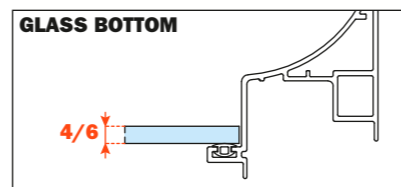
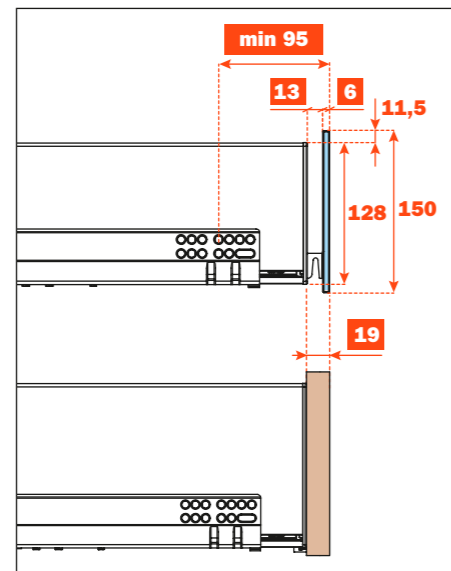
- Profile height: 128 mm
- Max. drawer width: 1500 mm
- Material: epoxy-coated aluminium
- Finish: metal grey brown
- Equipped with full-extension Futura runners
- Integrated height and depth adjustments
- Equipped with anti-tipping device
- The drawers are supplied assembled complete with the gasket needed to hold in place the drawer bottom and accessories
- Glass frontal upon request, bottom not included
- Bottom can be made of wood or glass



### ASSEMBLY WITH ALUMINIUM PROFILE 6 mm THICKNESS. ALIGNMENT WITH WOODEN FRONTAL 12 mm THICKNESS

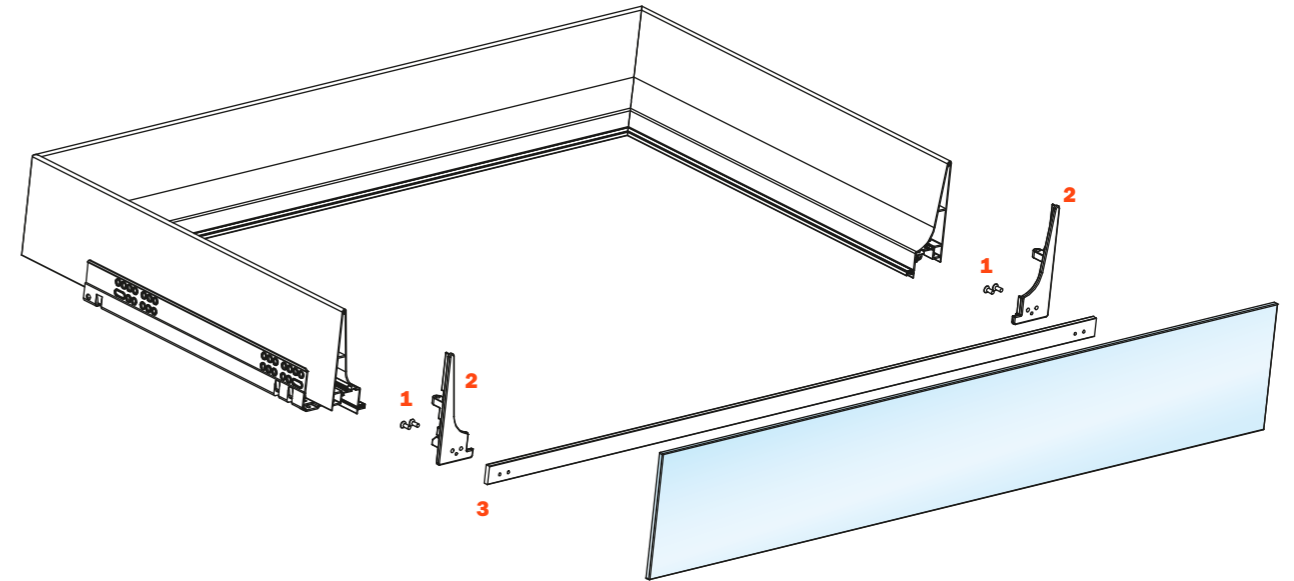


### ASSEMBLY WITH ALUMINIUM PROFILE 13 mm THICKNESS. ALIGNMENT WITH WOODEN FRONTAL 19 mm THICKNESS

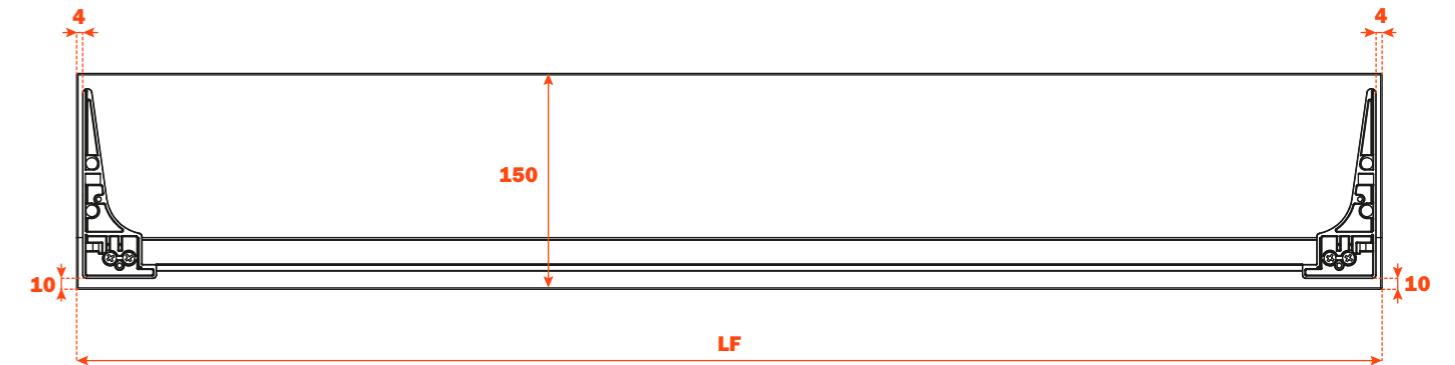


## Kit for the frontal fixing (to be ordered separately)

1. M 4x10 mm screws
2. Fixing caps
3. Aluminium profile with adhesive tape for fixing on the frontal



## Fixing the profile to the frontal



### GLASS FRONTAL, 6 mm THICKNESS - ALUMINIUM PROFILE, 6 mm THICKNESS

Runner length (LN) mm	Drawer width (L) mm	Frontal width (LF) mm	Internal width (L1) mm	Drawer depth (P) mm	Internal depth (P1) mm
350	LV - 15	LV - 6	L - 80	390	338
400				440	388
450				490	438
470				510	458
500				540	488

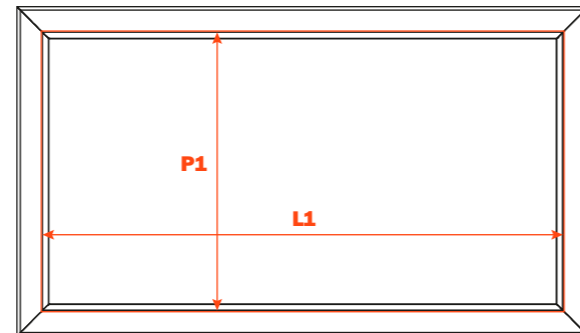
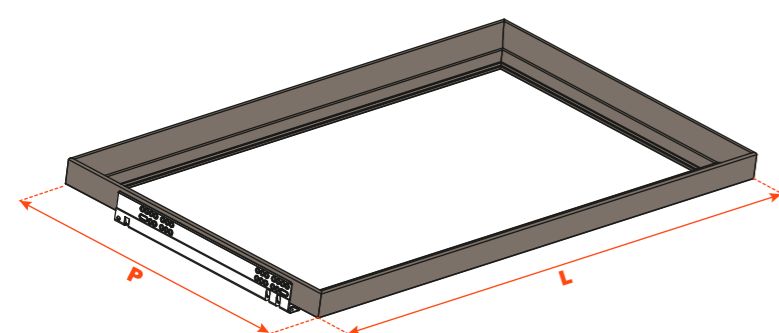
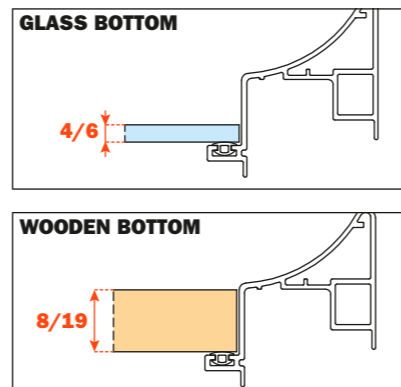
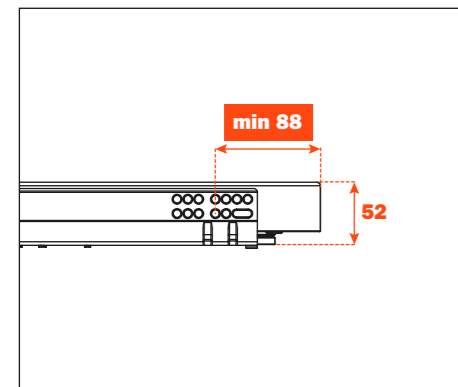
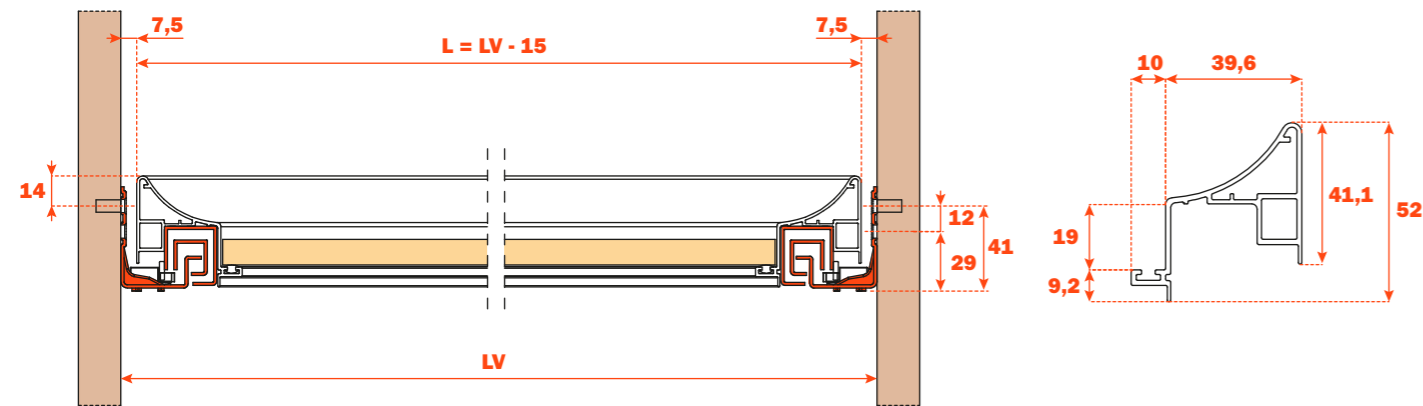
### GLASS FRONTAL, 6 mm THICKNESS - ALUMINIUM PROFILE, 13 mm THICKNESS

Runner length (LN) mm	Drawer width (L) mm	Frontal width (LF) mm	Internal width (L1) mm	Drawer depth (P) mm	Internal depth (P1) mm
350	LV - 15	LV - 6	L - 80	397	338
400				447	388
450				497	438
470				517	458
500				547	488

## Excessories - pull-out - 4-sided drawer H 52

### Aluminium 4-sided drawer H 52

- Profile height: 52 mm
- Max. drawer width: 1500 mm
- Material: epoxy-coated aluminium
- Finish: metal grey brown
- Equipped with full-extension Futura runners
- Integrated height and depth adjustments
- Equipped with anti-tipping device
- The drawers are supplied assembled complete with the gasket needed to hold in place the drawer bottom and accessories
- Bottom not included
- Bottom can be made of wood or glass

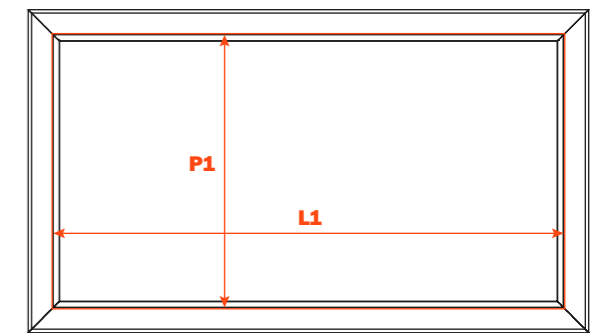
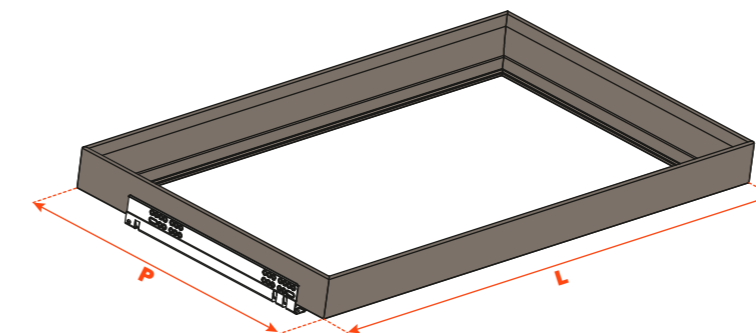
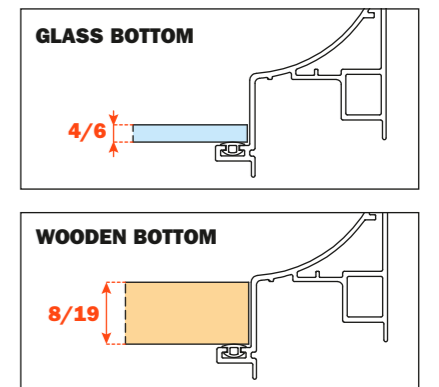
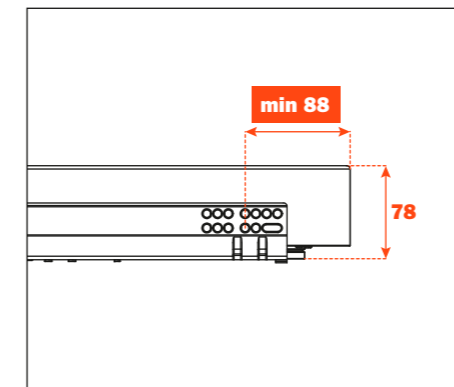
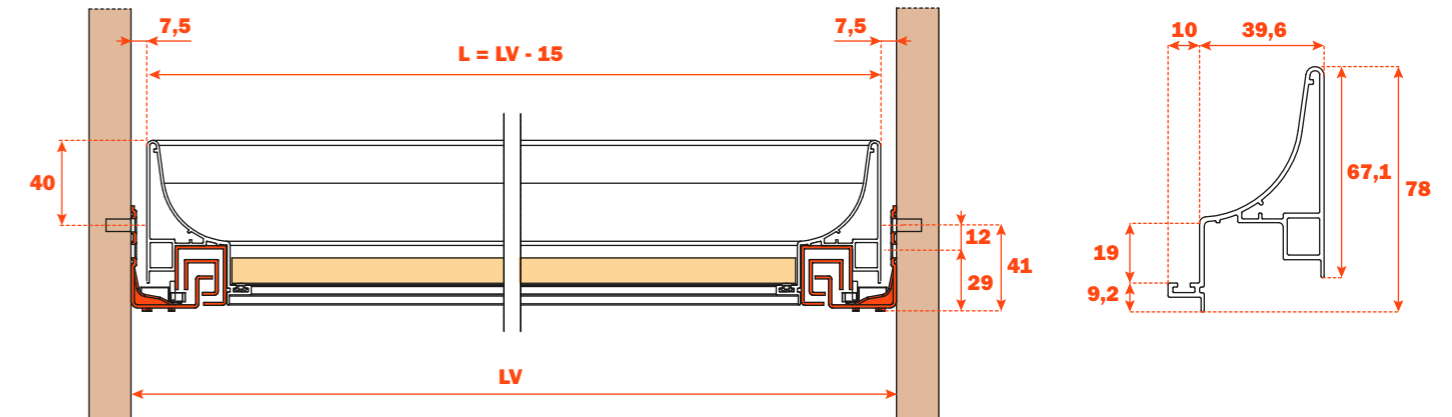


Runner length (LN) mm	Drawer width (L) mm	Internal width (L1) mm	Drawer depth (P) mm	Internal depth (P1) mm
350	LV - 15	L - 80	390	310
400			440	360
450			490	410
470			510	430
500			540	460

## Excessories - pull-out - 4-sided drawer H 78

### Aluminium 4-sided drawer H 78

- Profile height: 78 mm
- Max. drawer width: 1500 mm
- Material: epoxy-coated aluminium
- Finish: metal grey brown
- Equipped with full-extension Futura runners
- Integrated height and depth adjustments
- Equipped with anti-tipping device
- The drawers are supplied assembled complete with the gasket needed to hold in place the drawer bottom and accessories
- Bottom not included
- Bottom can be made of wood or glass



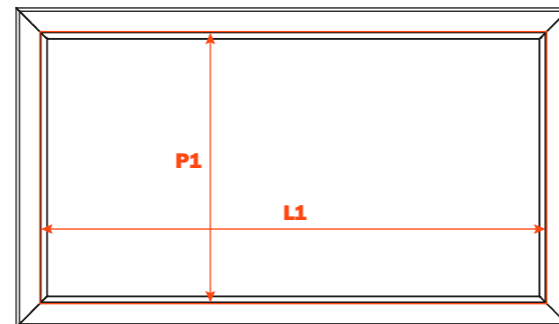
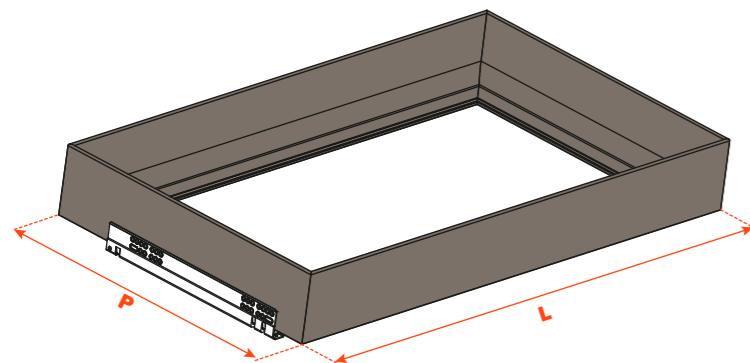
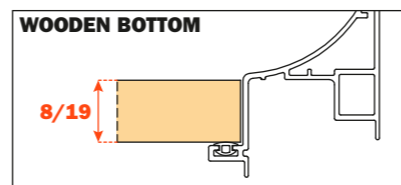
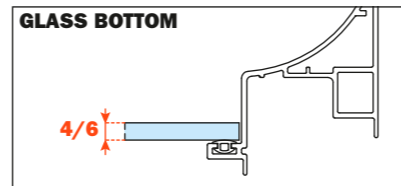
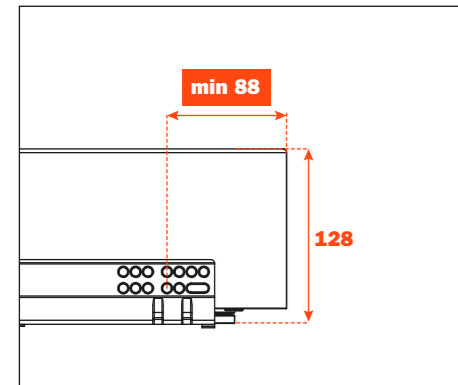
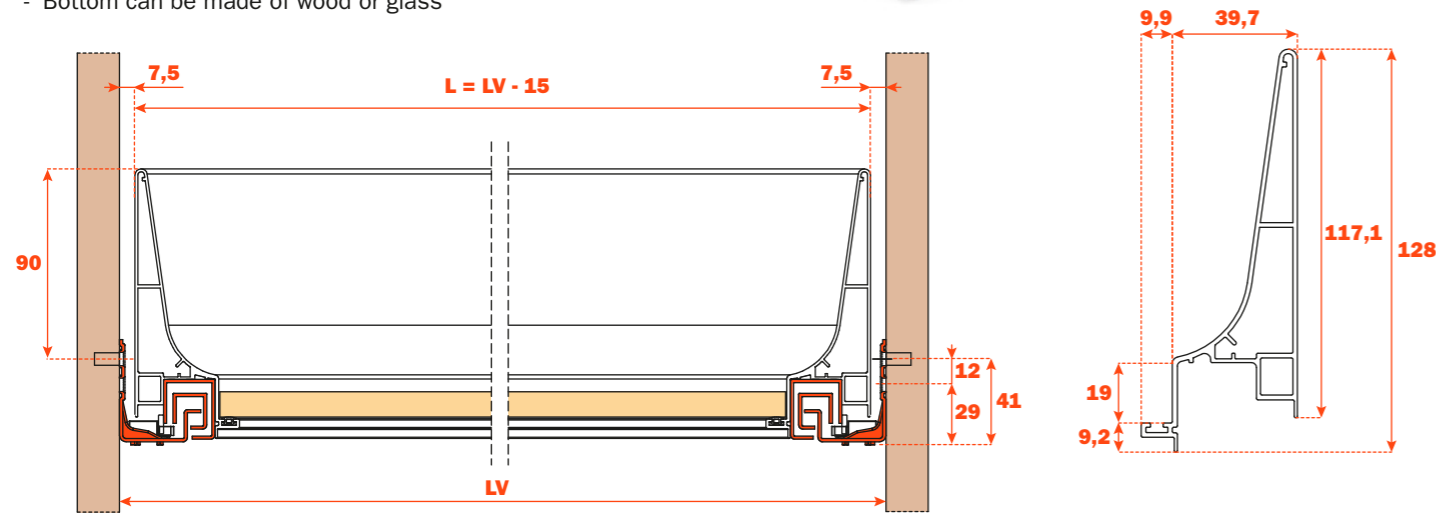
Runner length (LN) mm	Drawer width (L) mm	Internal width (L1) mm	Drawer depth (P) mm	Internal depth (P1) mm
350	LV - 15	L - 80	390	310
400			440	360
450			490	410
470			510	430
500			540	460



## Excessories - pull-out - 4-sided drawer H 128

### Aluminium 4-sided drawer H 128

- Profile height: 128 mm
- Max. drawer width: 1500 mm
- Material: epoxy-coated aluminium
- Finish: metal grey brown
- Equipped with full-extension Futura runners
- Integrated height and depth adjustments
- Equipped with anti-tipping device
- The drawers are supplied assembled complete with the gasket needed to hold in place the drawer bottom and accessories
- Bottom not included
- Bottom can be made of wood or glass

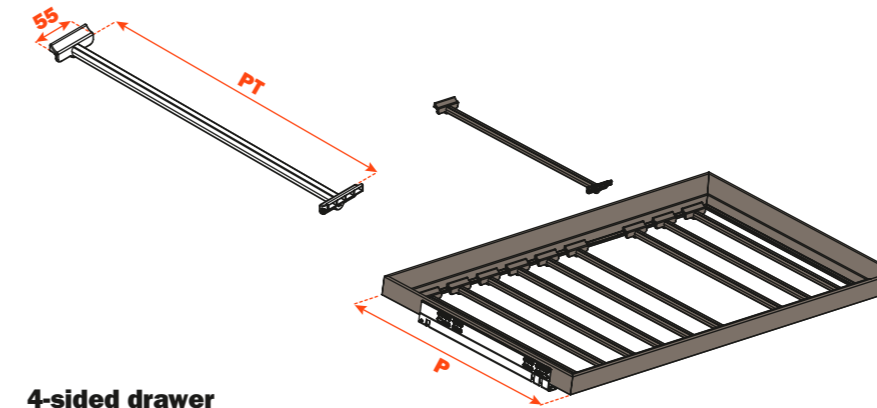


Runner length (LN) mm	Drawer width (L) mm	Internal width (L1) mm	Drawer depth (P) mm	Internal depth (P1) mm
350	LV - 15	L - 80	390	310
400			440	360
450			490	410
470			510	430
500			540	460

## Excessories - pull-out - trousers hanger for drawer

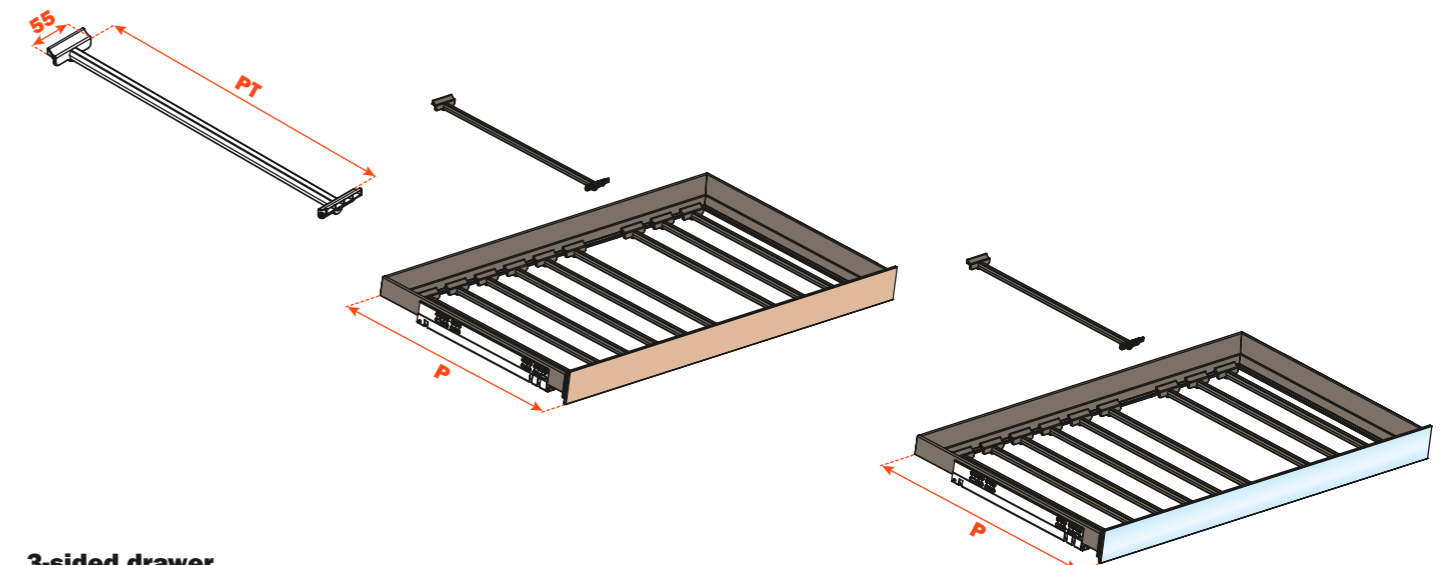
### Trousers hanger for drawer

- Rail material: epoxy-coated aluminium
- Finish: metal grey brown
- Recommended quantity: 7 pieces/500 mm
- Complete with soft trim on the upper surface to hold the trousers in place
- Rail supplied with nylon supports for easy location and sliding on the frame



### 4-sided drawer

PART NUMBER	Runner length (LN) mm	Drawer depth (P) mm	Rod length (PT) mm
YE80FXEA10433B	350	390	281
YE80FXEA10533B	400	440	331
YE80FXEA10633B	450	490	381
YE80FXEA10733B	470	510	401
YE80FXEA10833B	500	540	431



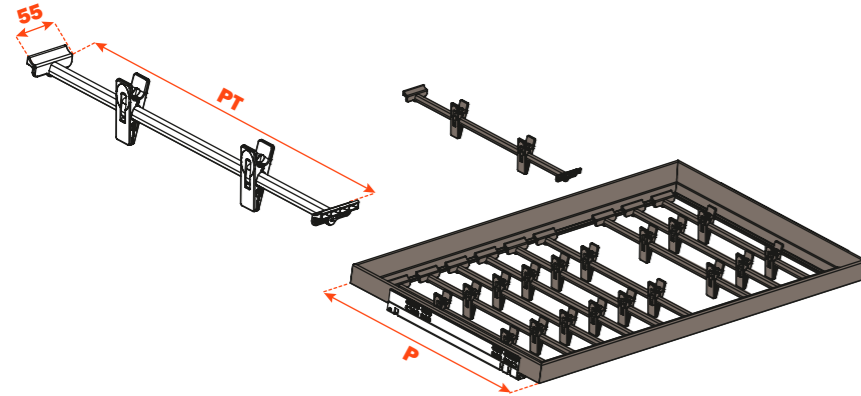
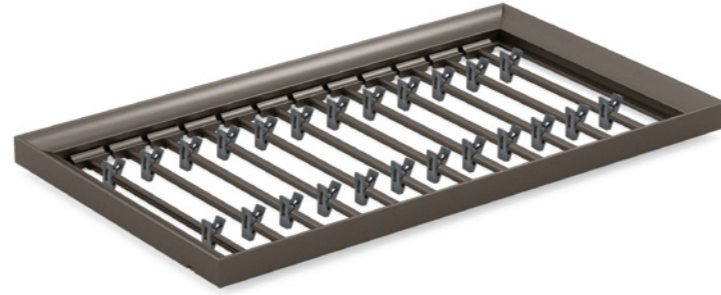
### 3-sided drawer

PART NUMBER	Runner length (LN) mm	Drawer depth (P) mm + wooden frontal 12 mm	Drawer depth (P) mm + glass frontal 6+6 mm	Rod length (PT) mm
YE80FXEA20433B	350	390	390	307
YE80FXEA20533B	400	440	440	357
YE80FXEA20633B	450	490	490	407
YE80FXEA20733B	470	510	510	427
YE80FXEA20833B	500	540	540	457

## Excessories - pull-out - skirt hanger for drawer

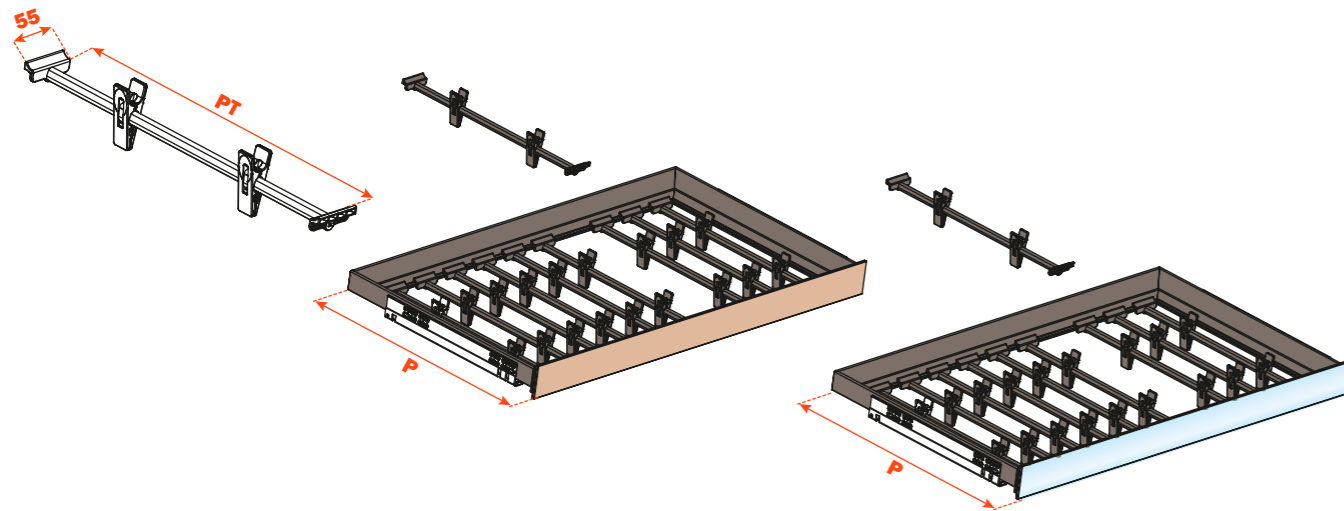
### Skirt hanger for drawer

- Rail material: epoxy-coated aluminium
- Clip material: nylon
- Finish: metal grey brown
- Recommended quantity: 7 pieces/500 mm
- Complete with clips for skirts
- Rail supplied with nylon supports for easy location and sliding on the frame



### 4-sided drawer

PART NUMBER	Runner length (LN) mm	Drawer depth (P) mm	Rod length (PT) mm
YE80FXFA10433B	350	390	281
YE80FXFA10533B	400	440	331
YE80FXFA10633B	450	490	381
YE80FXFA10733B	470	510	401
YE80FXFA10833B	500	540	431



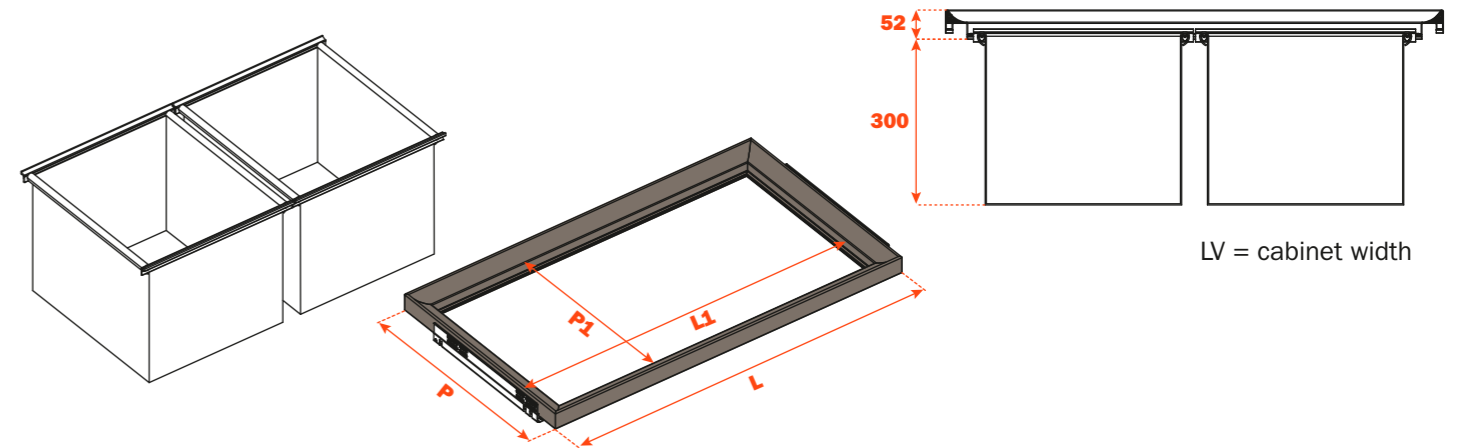
### 3-sided drawer

PART NUMBER	Runner length (LN) mm	Drawer depth (P) mm + wooden frontal 12 mm	Drawer depth (P) mm + glass frontal 6+6 mm	Rod length (PT) mm
VE80FXFA20433B	350	390	390	307
YE80FXFA20533B	400	440	440	357
YE80FXFA20633B	450	490	490	407
YE80FXFA20733B	470	510	510	427
YE80FXFA20833B	500	540	540	457

## Excessories - pull-out - bed linen storage for drawer

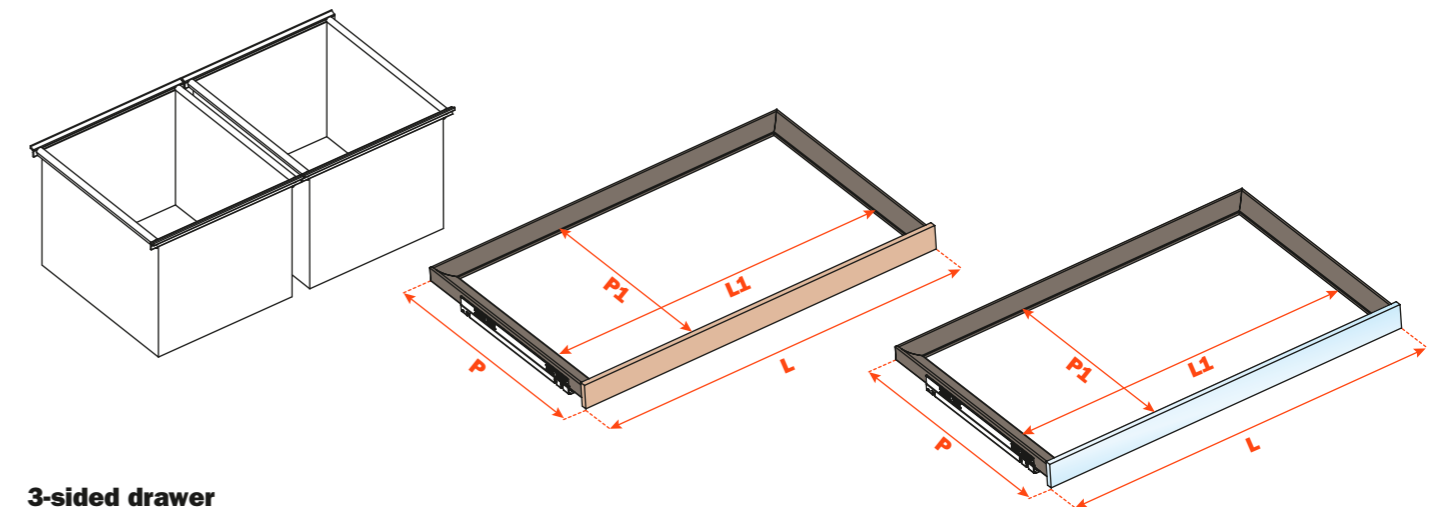
### Bed linen storage for drawer

- Structure material: epoxy-coated aluminium
- Finish: metal grey brown
- The containers are made of quilted fabric in Tasmania grey, easily removable from the frame thanks to Velcro fastenings
- Custom-made according to the drawer dimensions:
  - Up to 500 mm width (L1) use 1 container
  - From 500 mm width (L1) use 2 containers



### 4-sided drawer

Runner length (LN) mm	Drawer width (L) mm	Internal width (L1) mm	4-SIDED drawer depth (P) mm	Internal depth (P1) mm
350	LV - 15	L - 80	390	310
400			440	360
450			490	410
470			510	430
500			540	460



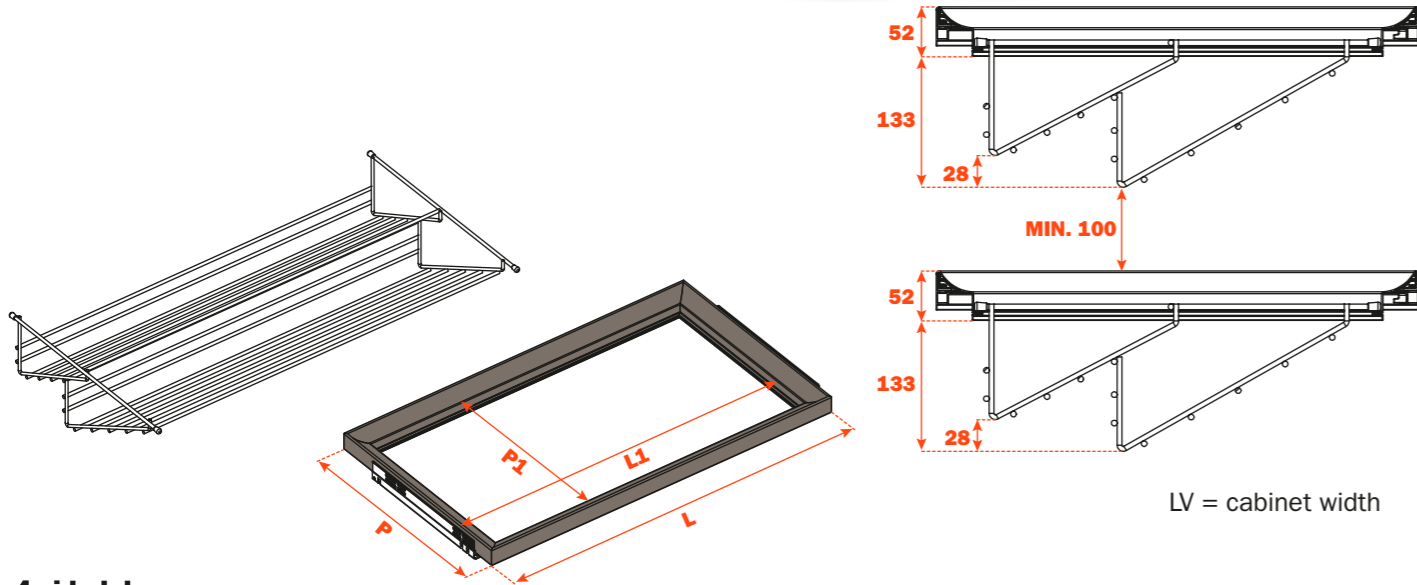
### 3-sided drawer

Runner length (LN) mm	Drawer width (L) mm	Internal width (L1) mm	3-SIDED drawer depth (P) mm + wooden frontal 12 mm or glass frontal 6+6 mm	3-SIDED drawer depth (P) mm + wooden frontal 19 mm or glass frontal 6+13 mm	Internal depth (P1) mm
350	LV - 15	L - 80	390	397	338
400			440	447	388
450			490	497	438
470			510	517	458
500			540	547	488

## Excessories - pull-out - wired shoe rack for drawer

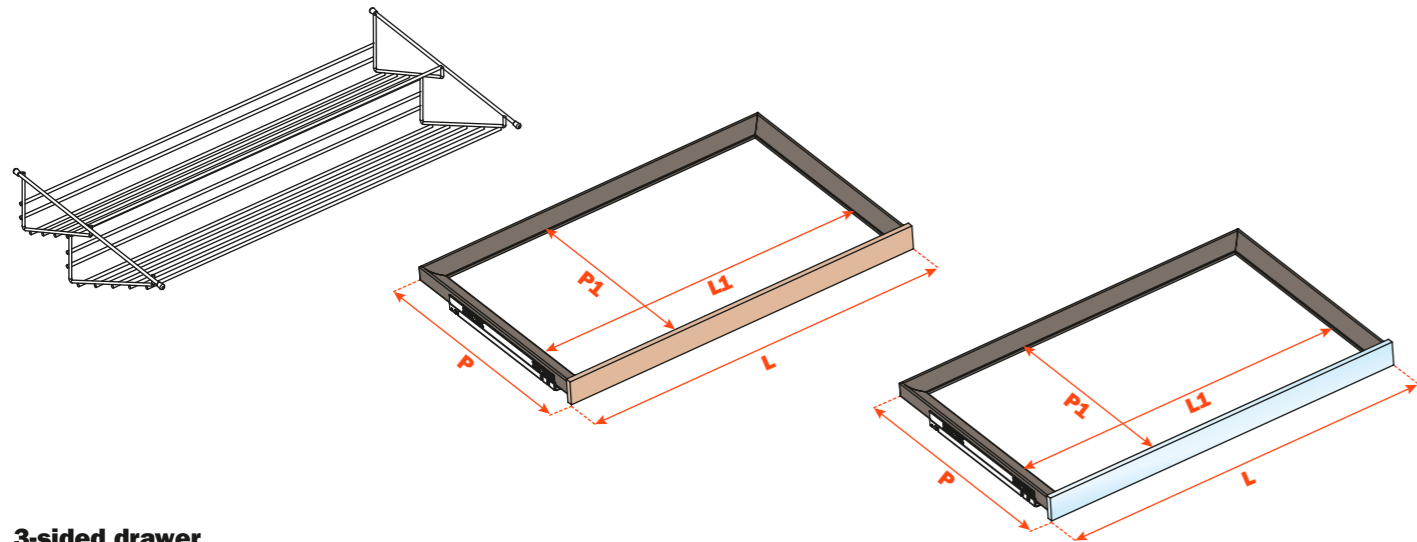
### Shoe rack for drawer

- Shoe rack material: epoxy-coated aluminium
- Finish: metal grey brown
- Max. width: 1200 mm
- Made in a single piece to suit drawer size
- Easy to install, it requires no fixing
- It holds two rows of shoes
- Minimum order 20 pcs.



### 4-sided drawer

Runner length (LN) mm	Drawer width (L) mm	Internal width (L1) mm	Drawer depth (P) mm	Internal depth (P1) mm
450	LV - 15	L - 80	490	410
470			510	430
500			540	460



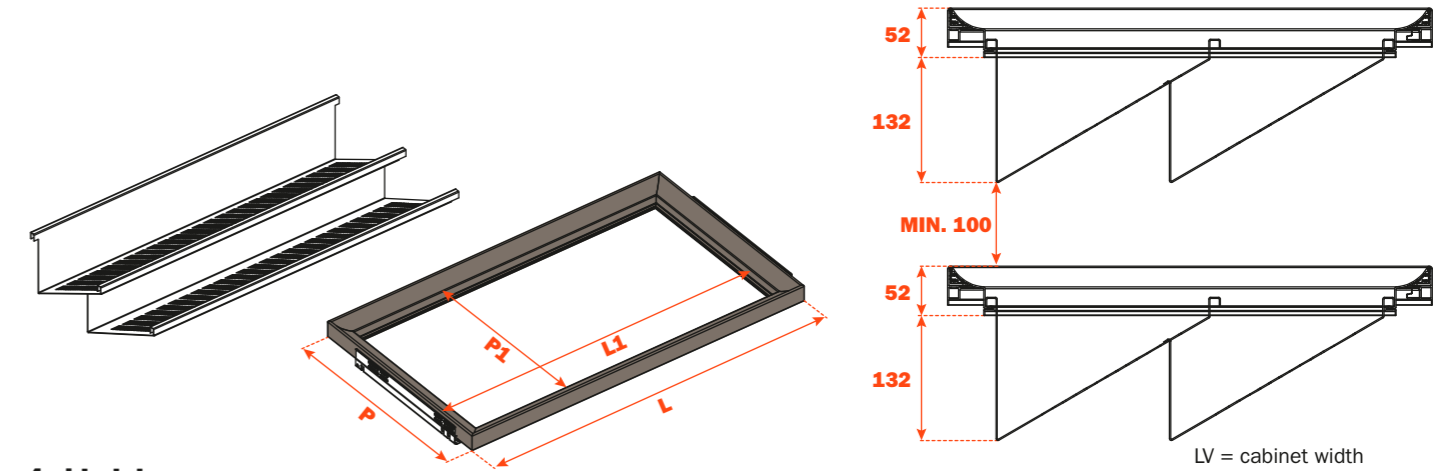
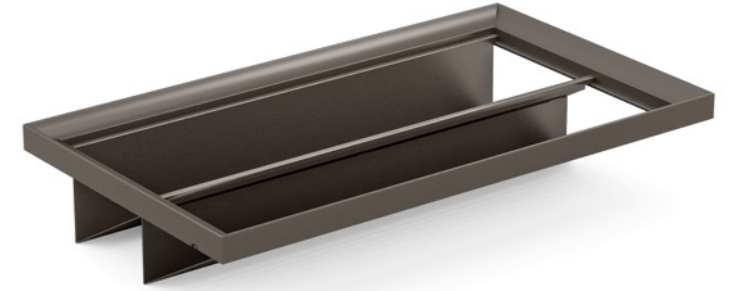
### 3-sided drawer

Runner length (LN) mm	Drawer width (L) mm	Internal width (L1) mm	3-SIDED drawer depth (P) mm + wooden frontal 12 mm or glass frontal 6+6 mm	3-SIDED drawer depth (P) mm + wooden frontal 19 mm or glass frontal 6+13 mm	Internal depth (P1) mm
450	LV - 15	L - 80	490	497	438
470			510	517	458
500			540	547	488

## Excessories - pull-out - metal shoe rack for drawer

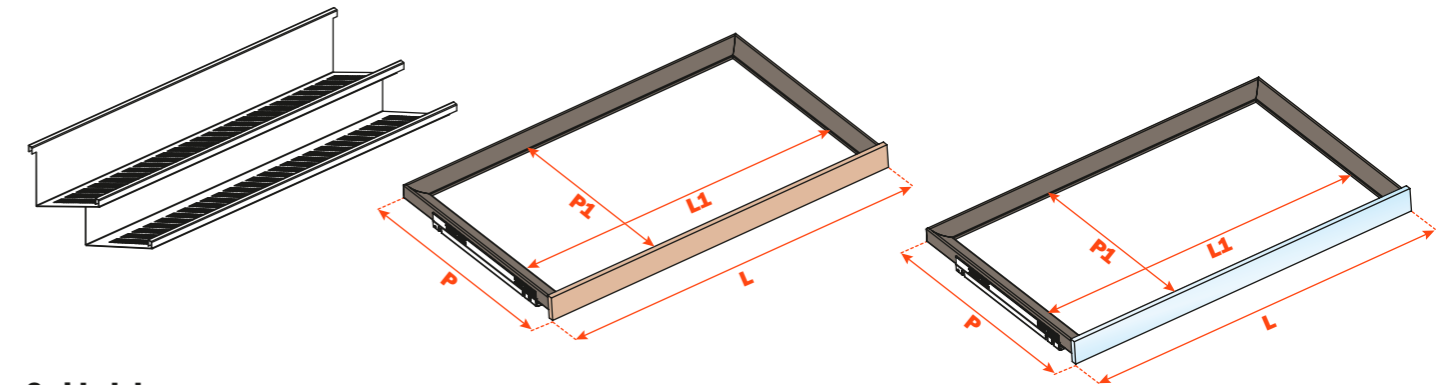
### Shoe rack for drawer

- Shoe rack material: coated perforated metal sheet
- Finish: metal grey brown
- Max. width: 1500 mm
- Made in two pieces
- Easy to install, it requires no fixing
- It holds two rows of shoes
- It can be upgraded with 2 imitation leather base inserts



### 4-sided drawer

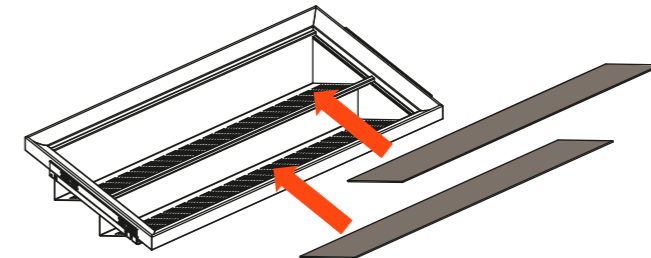
Runner length (LN) mm	Drawer width (L) mm	Internal width (L1) mm	Drawer depth (P) mm	Internal depth (P1) mm
450	LV - 15	L - 80	490	410
470			510	430
500			540	460



### 3-sided drawer

Runner length (LN) mm	Drawer width (L) mm	Internal width (L1) mm	3-SIDED drawer depth (P) mm + wooden frontal 12 mm or glass frontal 6+6 mm	3-SIDED drawer depth (P) mm + wooden frontal 19 mm or glass frontal 6+13 mm	Internal depth (P1) mm
450	LV - 15	L - 80	490	497	438
470			510	517	458
500			540	547	488

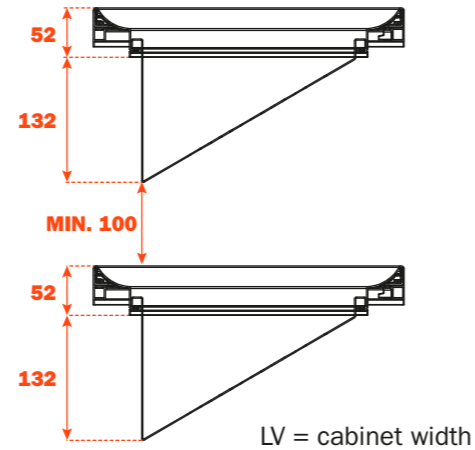
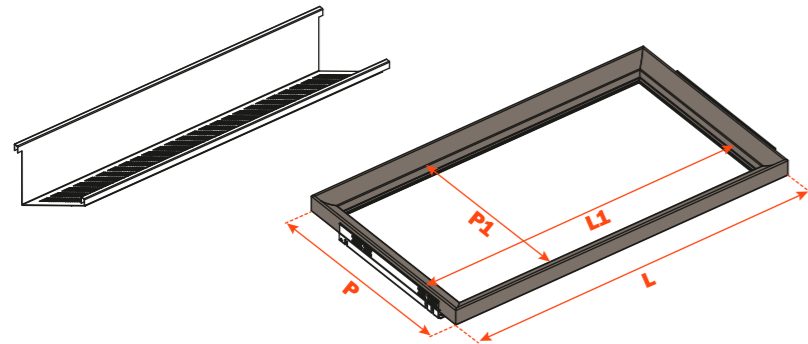
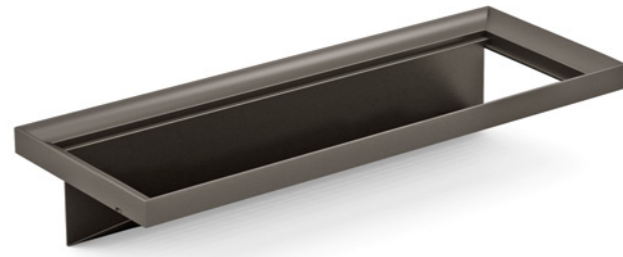
Imitation leather inserts to be ordered separately.



## Excessories - pull-out - metal shoe rack for drawer

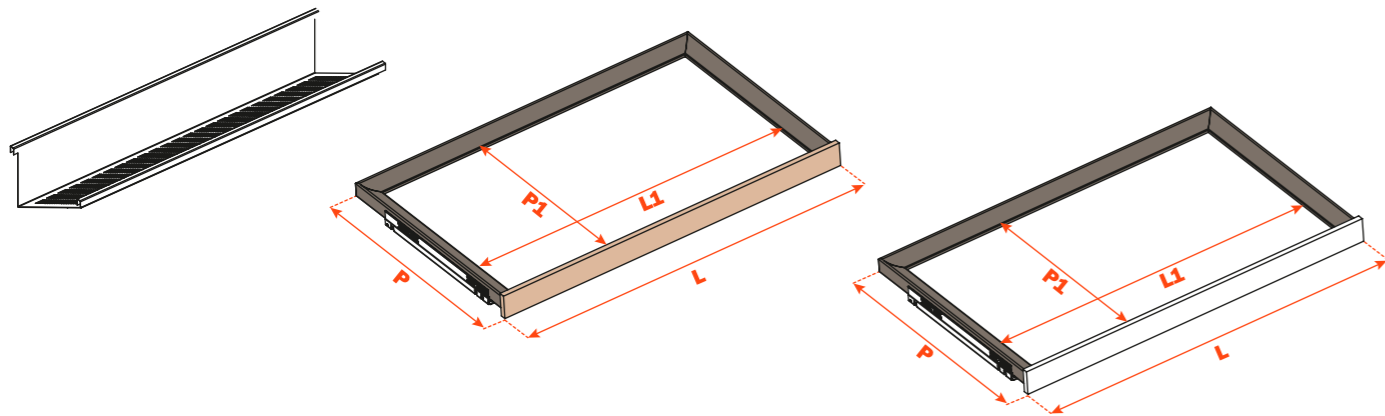
### Shoe rack for drawer

- Shoe rack material: coated perforated metal sheet
- Finish: metal grey brown
- Max. width: 1500 mm
- Made in a single piece
- Easy to install, it requires no fixing
- It holds two rows of shoes
- It can be upgraded with 1 imitation leather base inserts



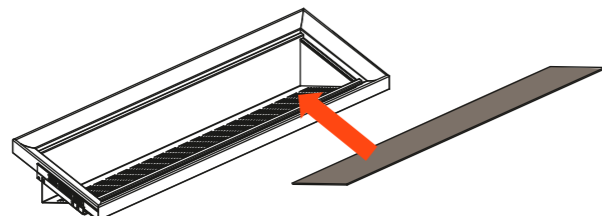
### 4-sided drawer

Runner length (LN) mm	Drawer width (L) mm	Internal width (L1) mm	Drawer depth (P) mm	Internal depth (P1) mm
400	LV - 15	L - 80	440	360



### 3-sided drawer

Runner length (LN) mm	Drawer width (L) mm	Internal width (L1) mm	3-SIDED drawer depth (P) mm + wooden frontal 12 mm or glass frontal 6+6 mm	3-SIDED drawer depth (P) mm + wooden frontal 19 mm or glass frontal 6+13 mm	Internal depth (P1) mm
400	LV - 15	L - 80	440	457	388

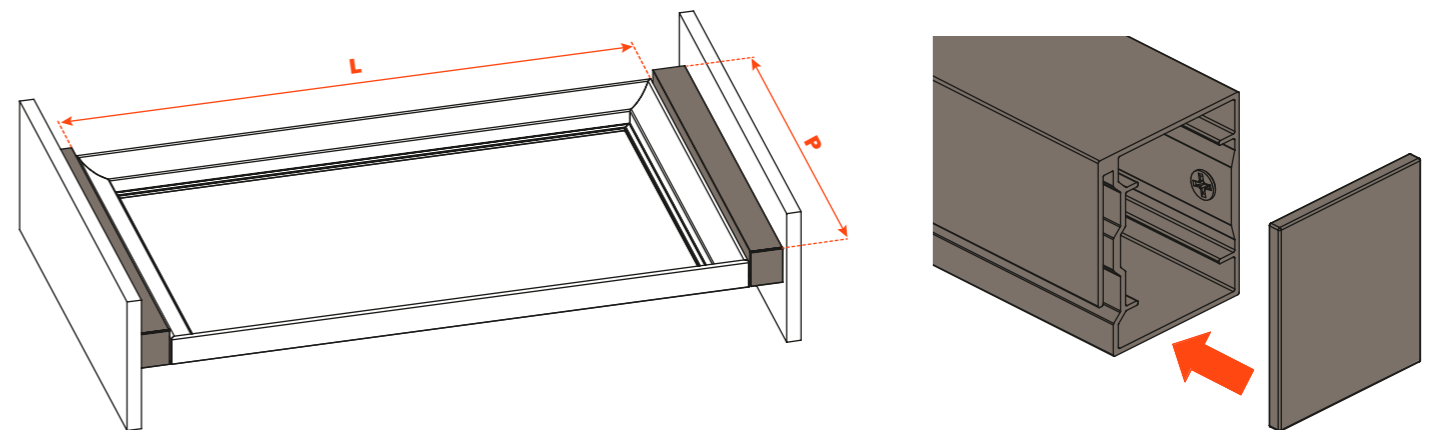
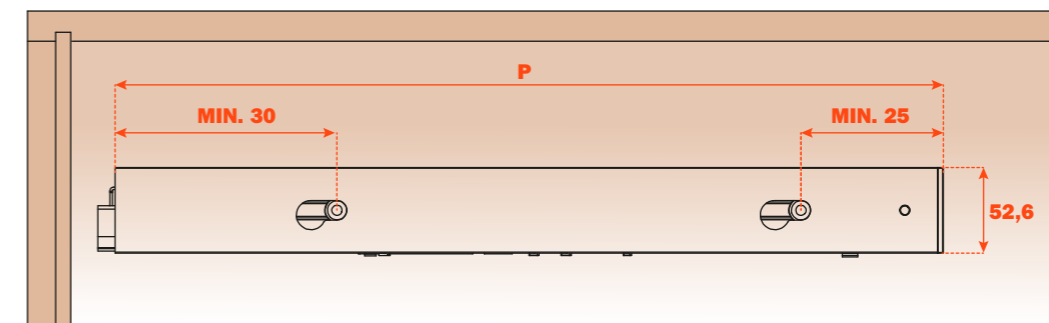
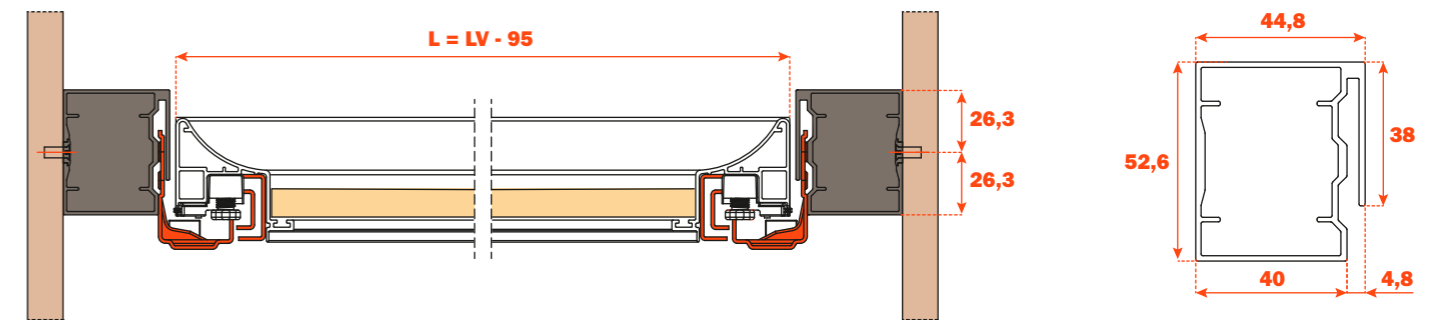


Imitation leather inserts to be ordered separately.

## Excessories - pull-out - spacers

### Spacers

- Material: epoxy-coated aluminium
- Finish: metal grey brown
- Packaged with the drawer



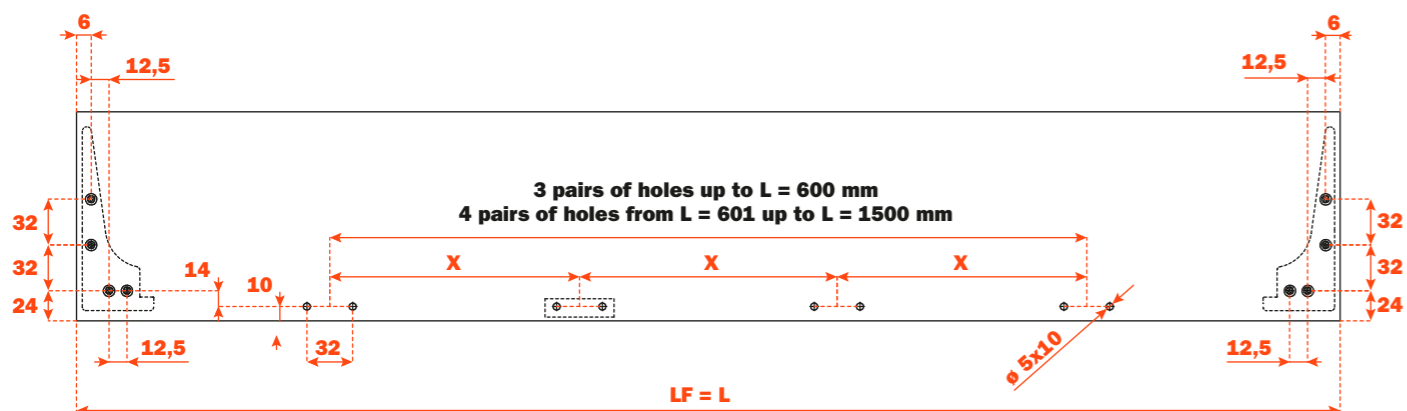
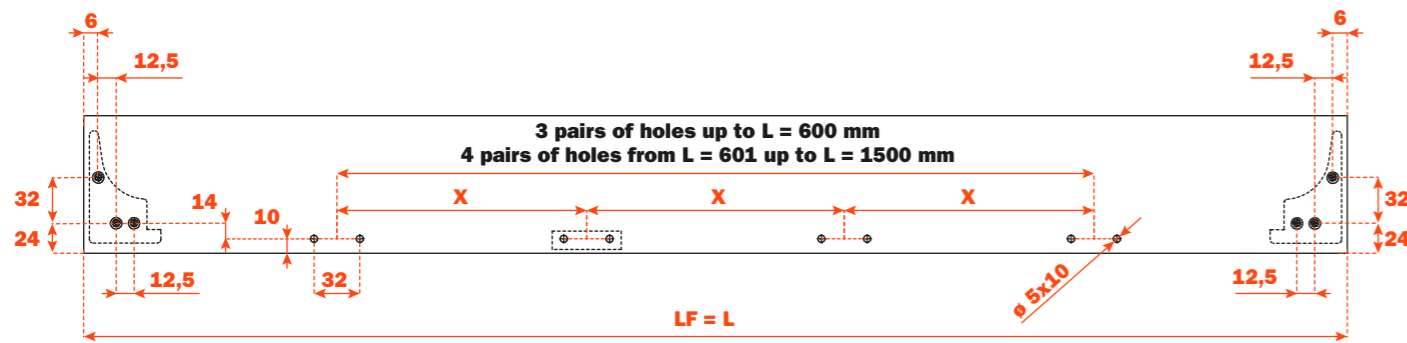
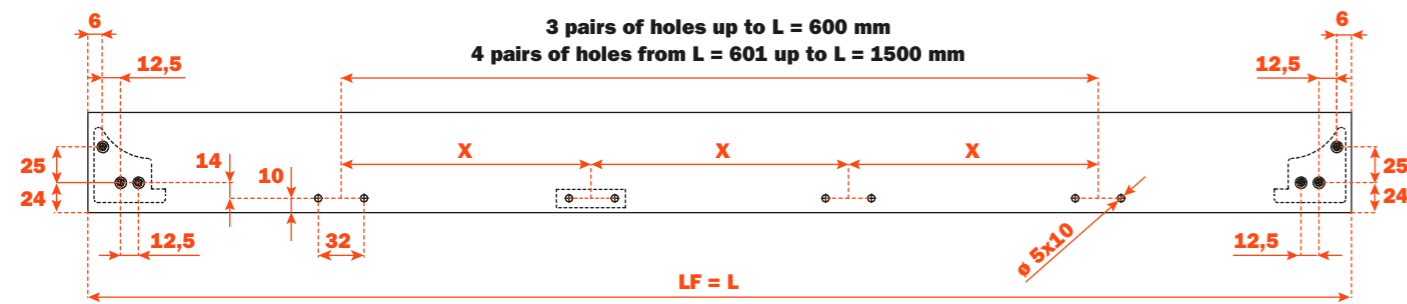
Runner length (LN) mm	4-SIDED drawer/spacer depth (P) mm	3-SIDED drawer/spacer depth (P) mm + wooden frontal 12 mm or glass frontal 6+6 mm	3-SIDED drawer/spacer depth (P) mm + wooden frontal 19 mm or glass frontal 6+13 mm
350	390	390	397
400	440	440	447
450	490	490	497
470	510	510	517
500	540	540	547

## Excessories - pull-out - spacers

### Spacers with 3-SIDED drawer for WOODEN FRONTAL



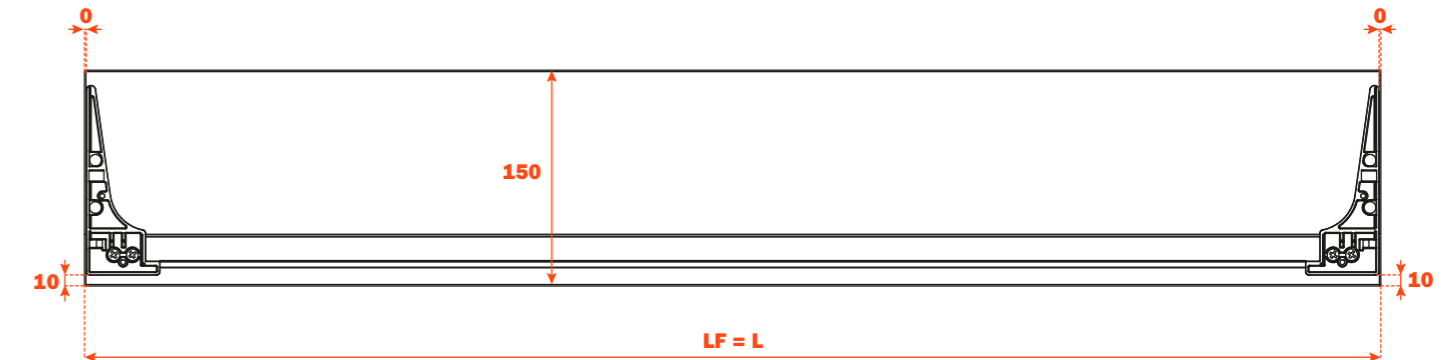
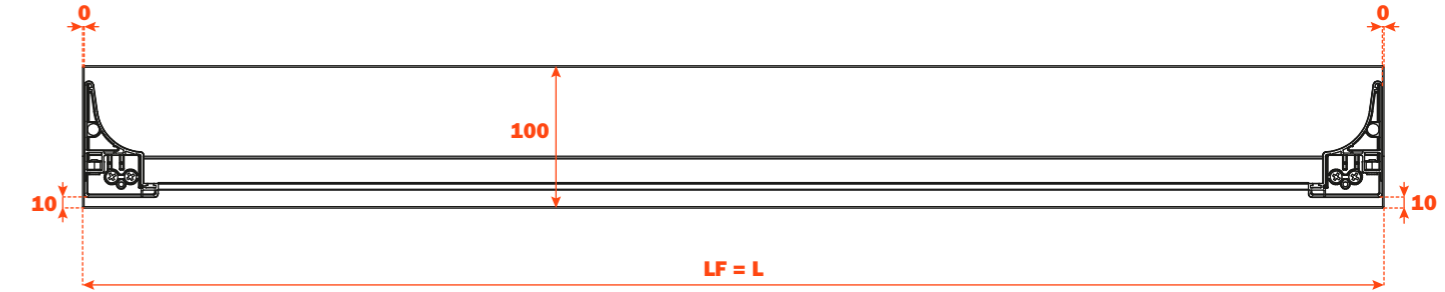
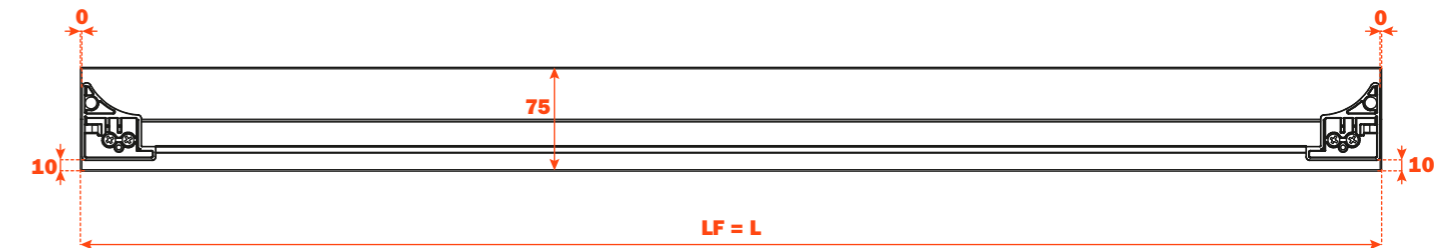
#### Frontal drillings



### Spacers with 3-SIDED drawer for GLASS FRONTAL

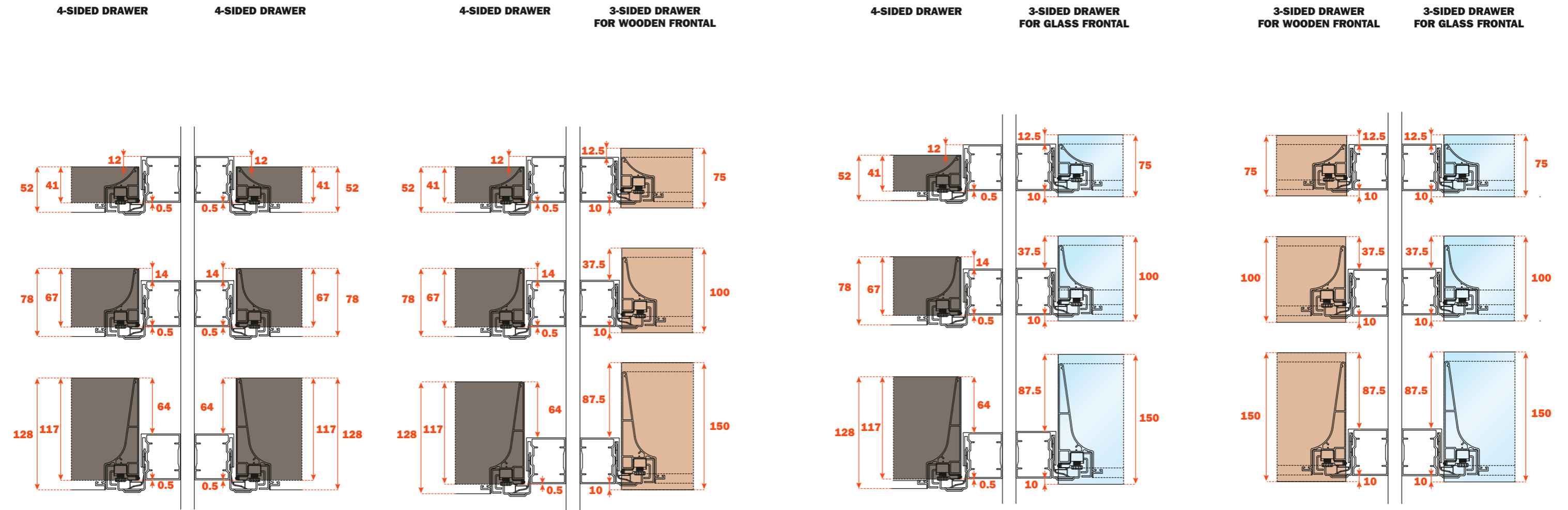


#### Fixing the profile to the frontal



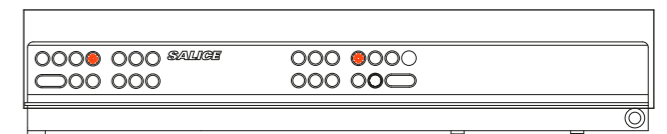
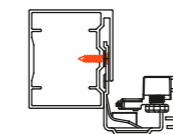
# Excessories - pull-out - spacers

## Guidelines to fix spacers



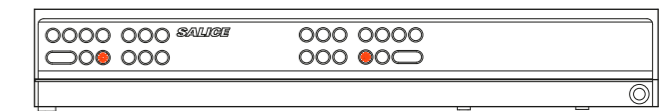
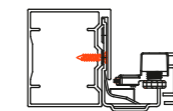
### FIXING 4-SIDED DRAWERS

It is recommended that the runners are fixed to the cabinet using the upper holes



### FIXING 3-SIDED DRAWERS

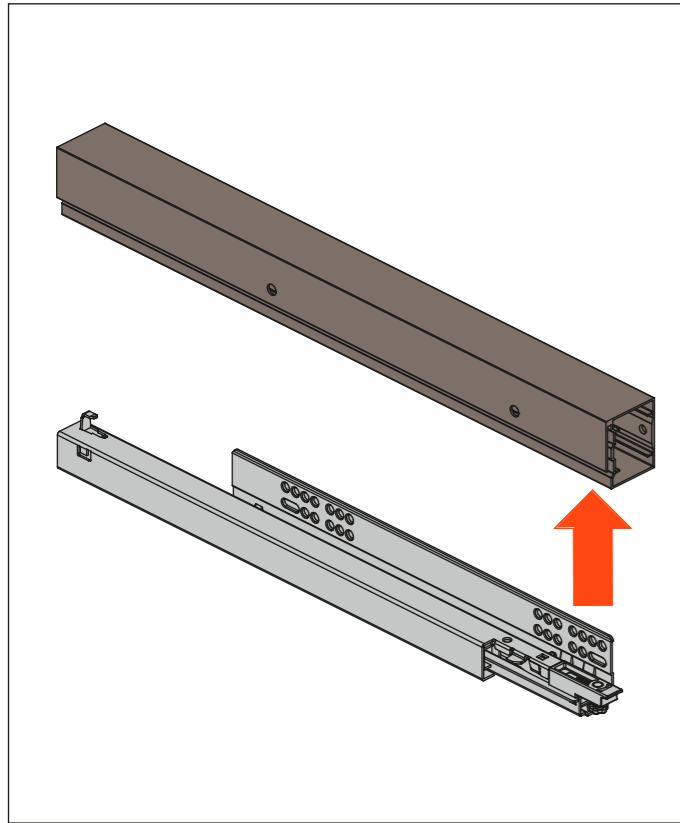
It is recommended that the runners are fixed to the cabinet using the lower holes



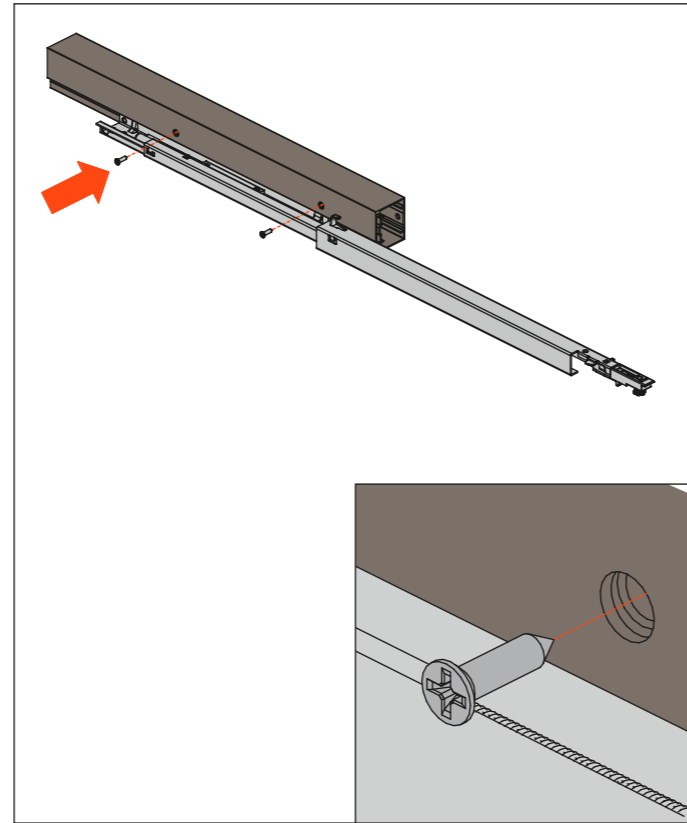
## Excessories - pull-out - spacers - assembly instructions

The spacers enable the drawer to be fully opened without impedance from hinged or sliding doors. They feature an innovative quick-fixing device which ensures that the runners are correctly and accurately installed.

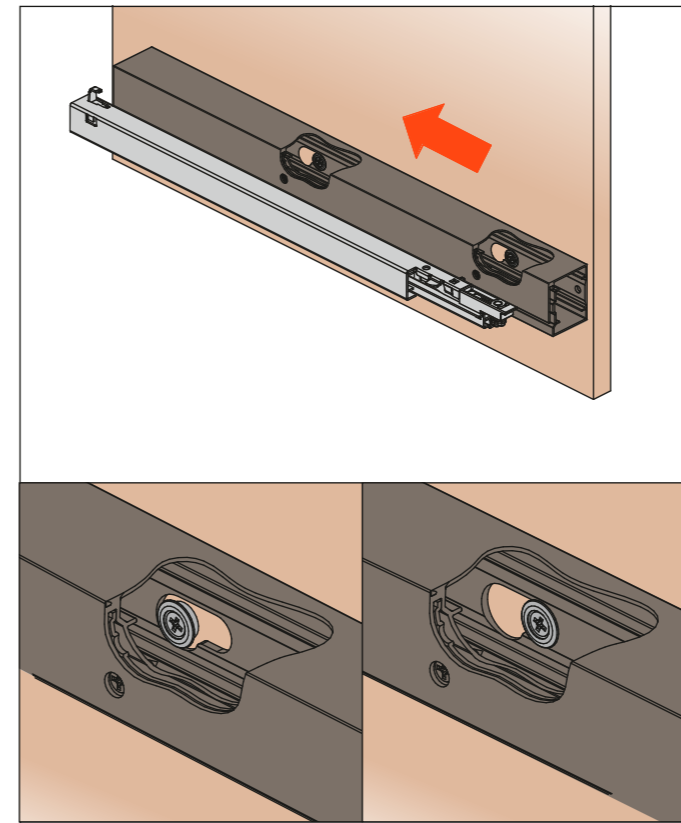
1. Insert the runner into the spacer



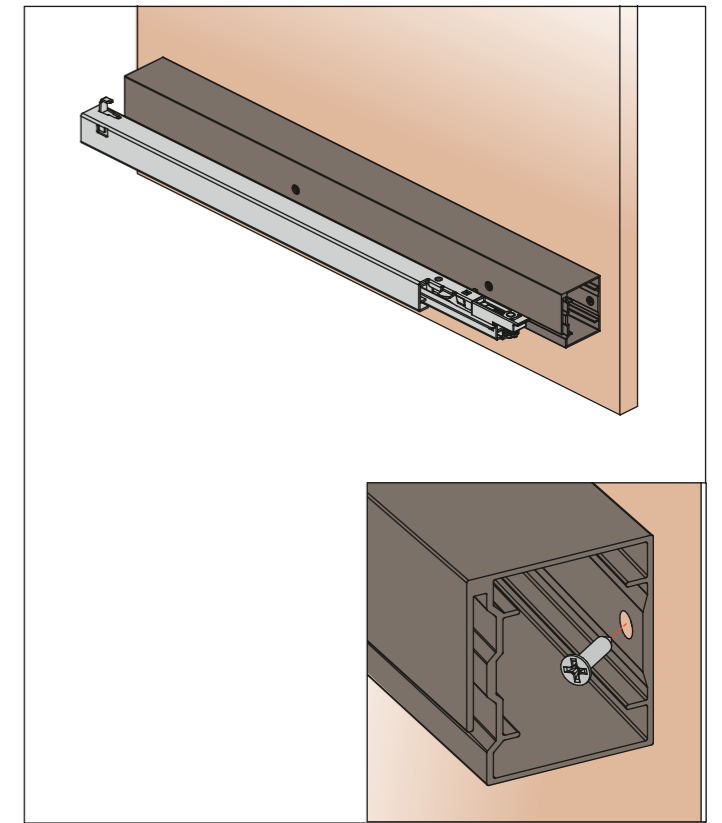
2. Fix the runner to the spacer using the screws provided



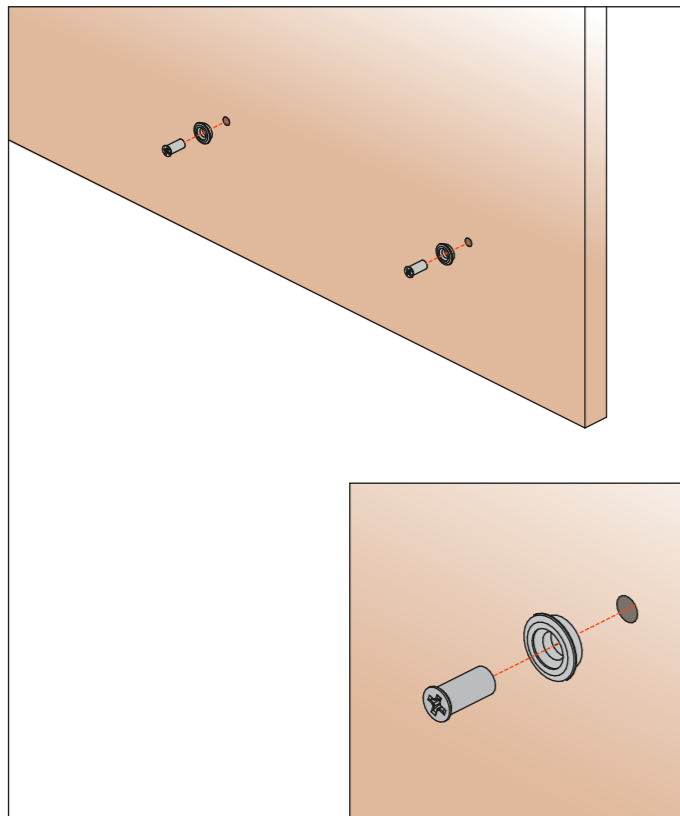
5. Slide the spacer backwards to locate the supports in their keyhole recesses



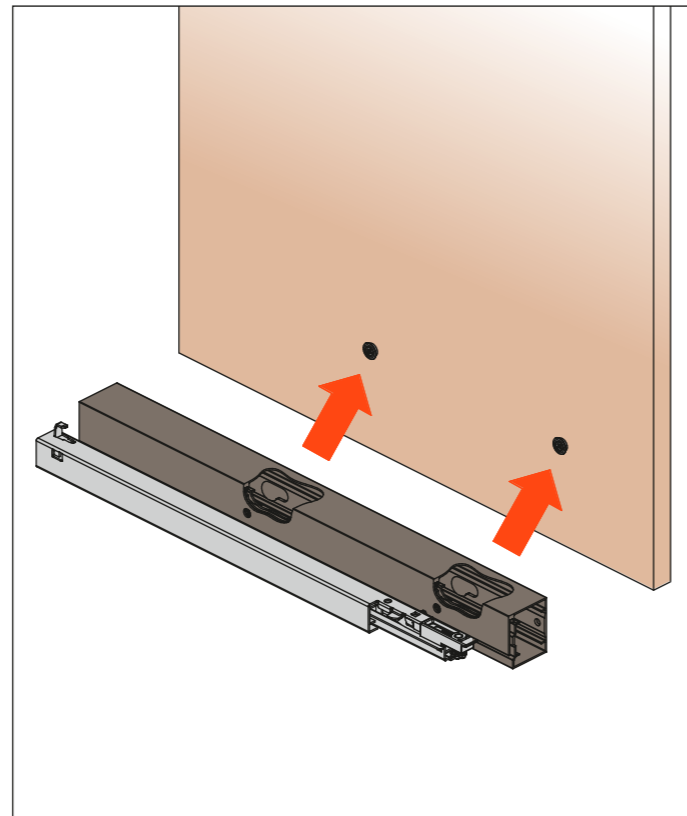
6. Secure the spacer in position using the front fixing screw



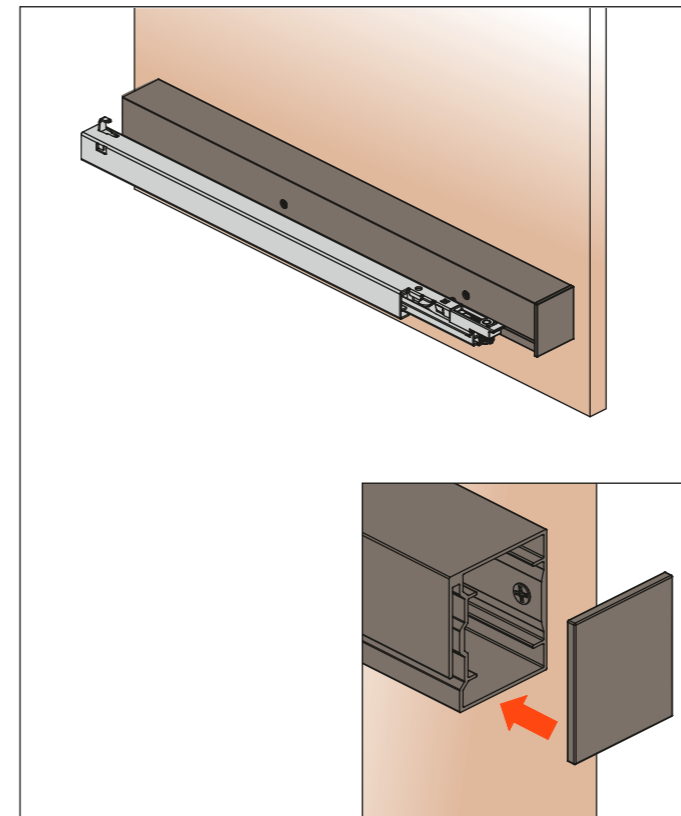
3. Screw-fix the spacer supports to the cabinet side



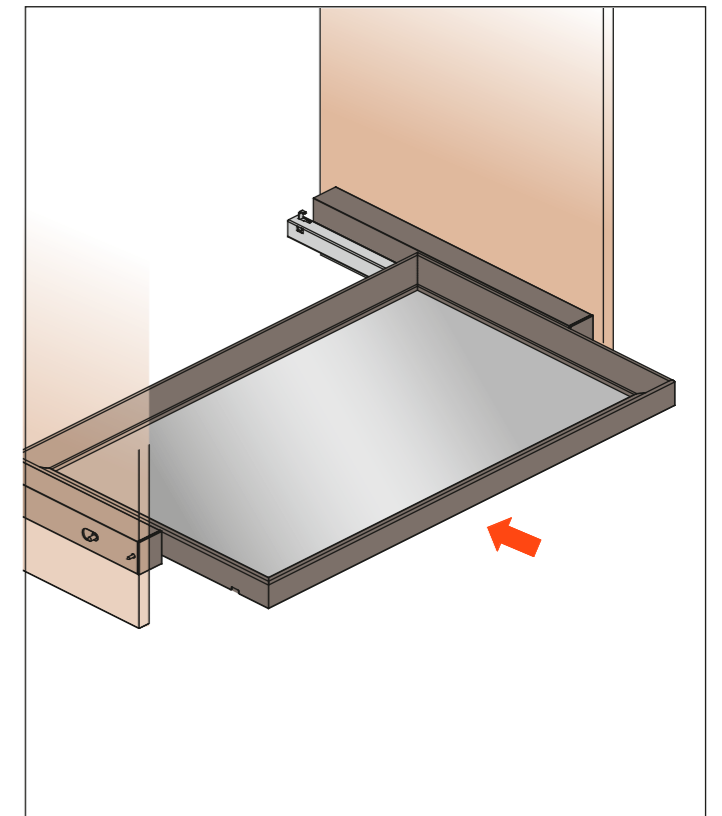
4. Position the spacer onto the supports



7. Insert the end caps



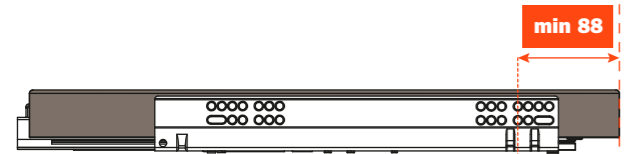
8. Install the drawer onto the runners



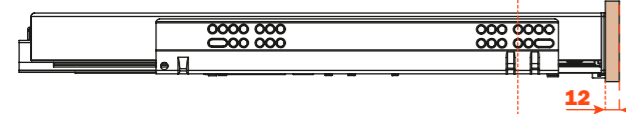
## Excessories - pull-out - drawers alignment

With the same side drilling, 4-sided drawers are **frontally aligned** with 3-sided drawers with wooden frontal (12 mm thickness) and with 3-sided drawers with glass frontal (6 mm thickness + 6 mm profile thickness), as illustrated below.

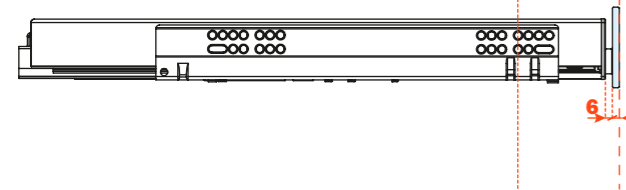
### 4-SIDED drawer



### 3-SIDED drawer for wooden frontal, 12 mm thickness

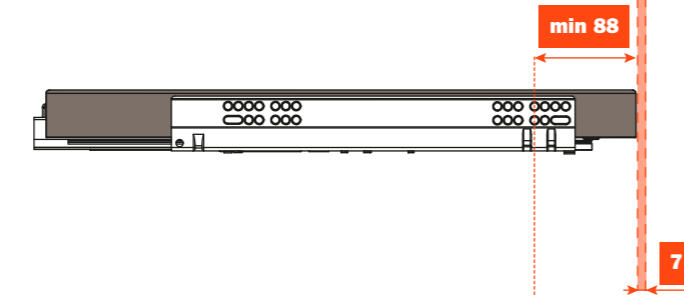


### 3-SIDED drawer for glass frontal, 6 mm thickness + profile, 6 mm thickness

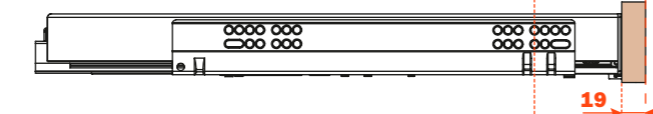


With the same side drilling, 4-sided drawers are **not frontally aligned** with 3-sided drawers with wooden frontal (19 mm thickness) and with 3-sided drawers with glass frontal (6 mm thickness + 13 mm profile thickness), as illustrated below.

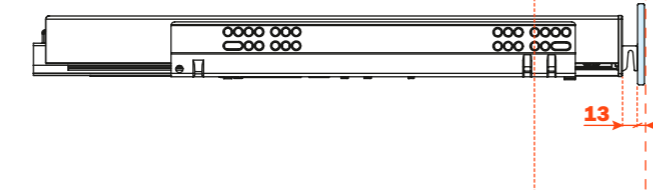
### 4-SIDED drawer



### 3-SIDED drawer for wooden frontal, 19 mm thickness



### 3-SIDED drawer for glass frontal, 6 mm thickness + profile, 13 mm thickness



## Excessories - pull-out - cover for runner

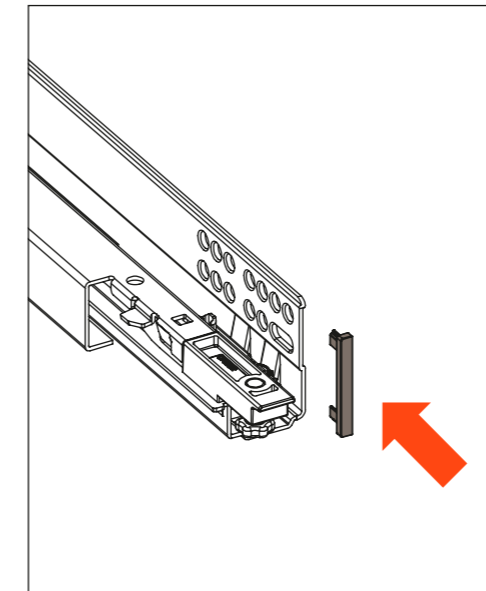
**YE80FXGA00433B** = Pair of covers for Futura runners, length 350 mm  
**YE80FXGA00533B** = Pair of covers for Futura runners, length 400 mm  
**YE80FXGA00633B** = Pair of covers for Futura runners, length 450 mm  
**YE80FXGA00733B** = Pair of covers for Futura runners, length 470 mm  
**YE80FXGA00833B** = Pair of covers for Futura runners, length 500 mm

### Cover for runner

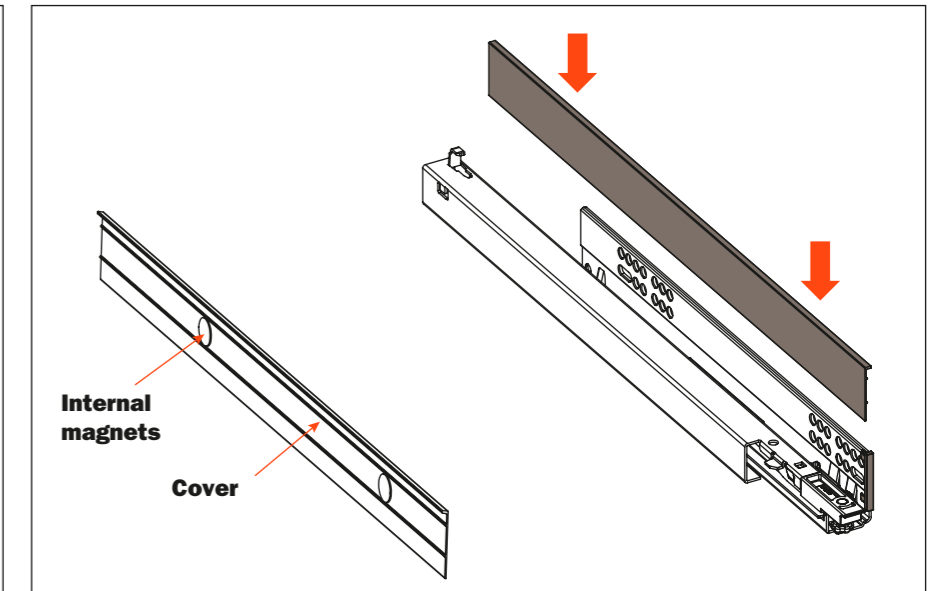
- Cover material: epoxy-coated aluminium, with magnets to fix the runner
- End cap material: plastic
- Finish: metal grey brown
- Packing: 20 pieces per box, magnets included
- Assembly with magnet



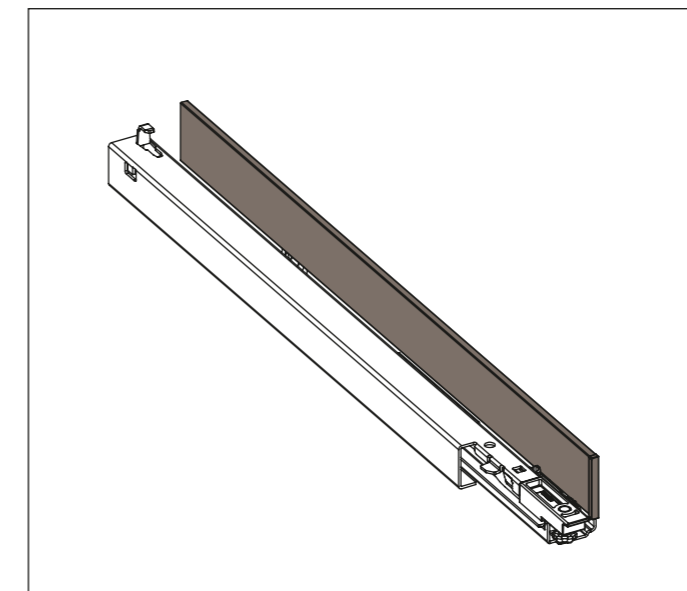
1. Insert the end cap into the runner



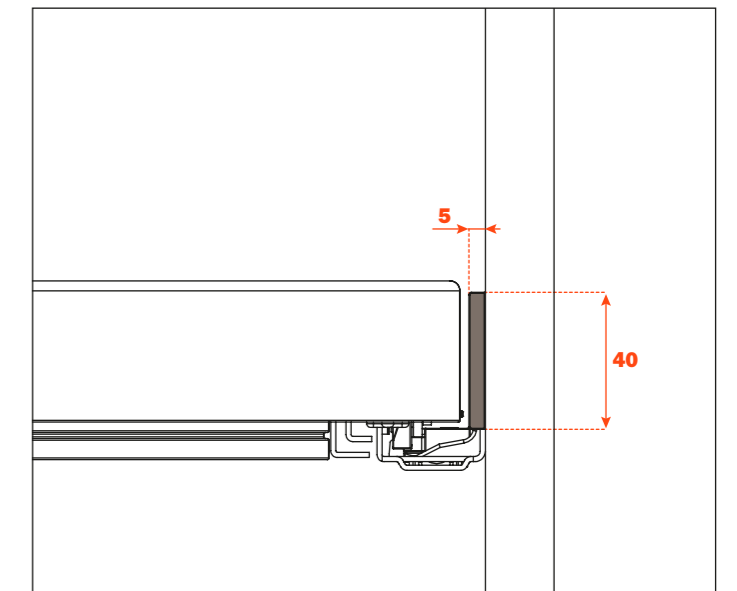
2. Fix the cover to the runner



3. Cover in place



4. Space required





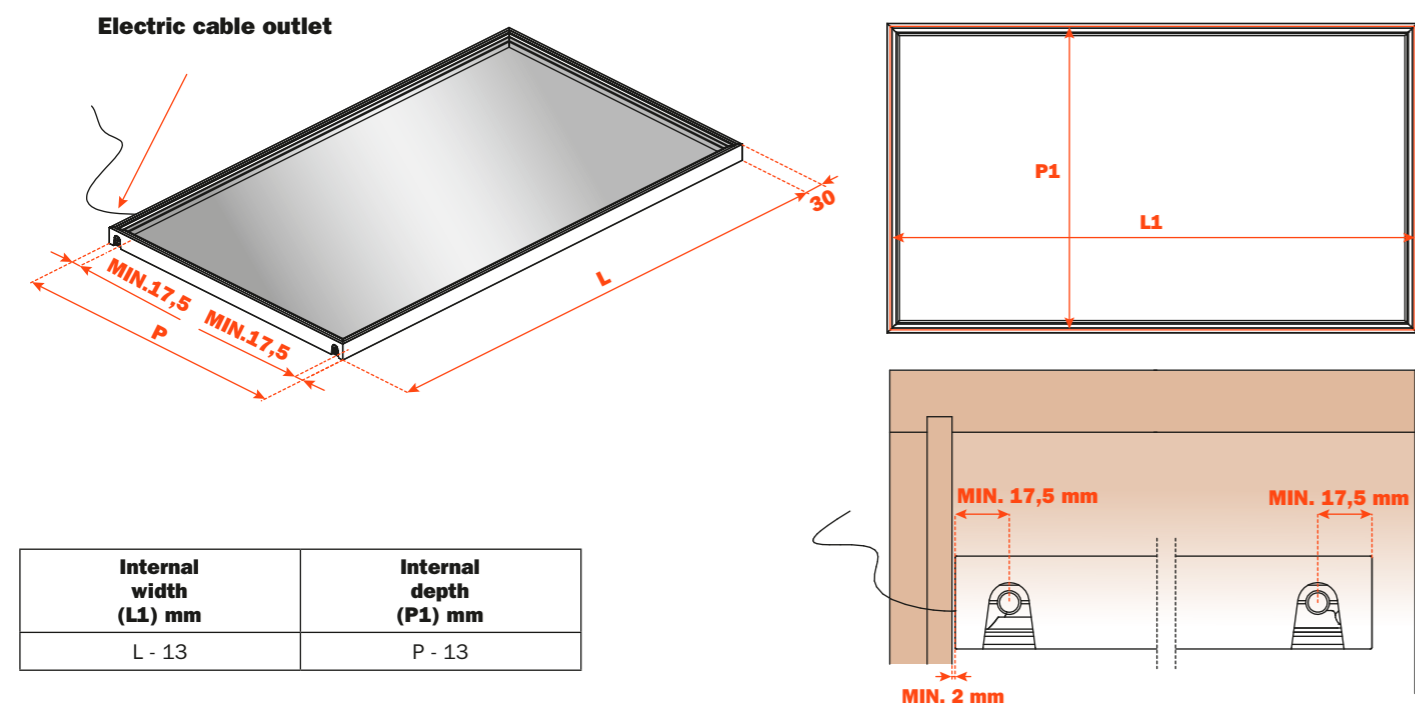
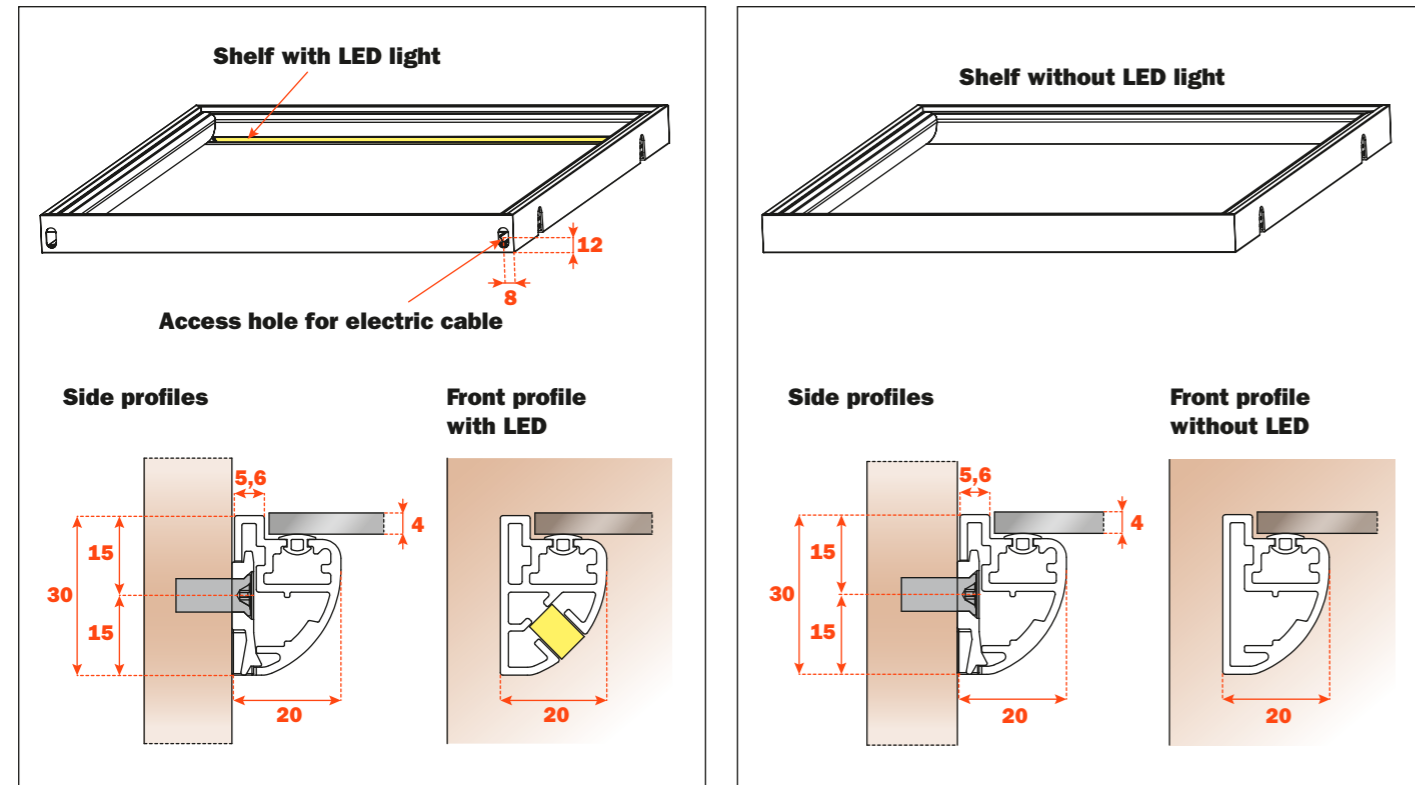


**Shelves**

## Excessories - shelves - aluminium frame H 30 mm

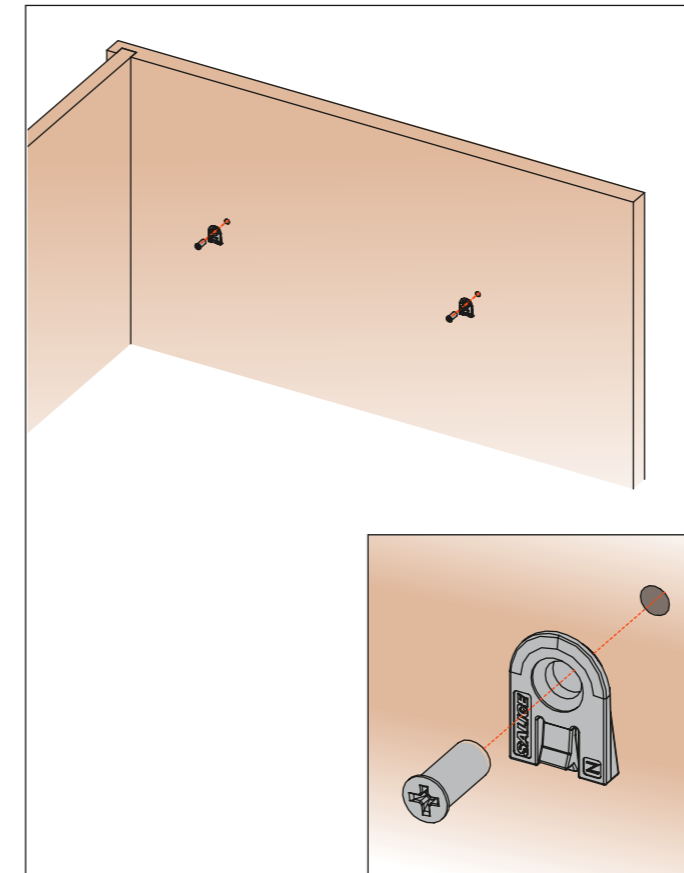
### Shelf with aluminium frame

- Profile height: 30 mm
- Material: epoxy-coated aluminium
- Finish: metal grey brown
- Max. width: 1500 mm
- Fixing: side fixed with slide and lock device
- Complete with gasket to hold glass inlay in position
- Glass not supplied
- Available without LED light or with 3000K/4000K Dual colour, 24V LED light
- Available white or smoky grey covers for LED
- 3 metre extension cable included
- Custom made to order by specifying width (L) and depth (P)
- Consumption: 13W/M

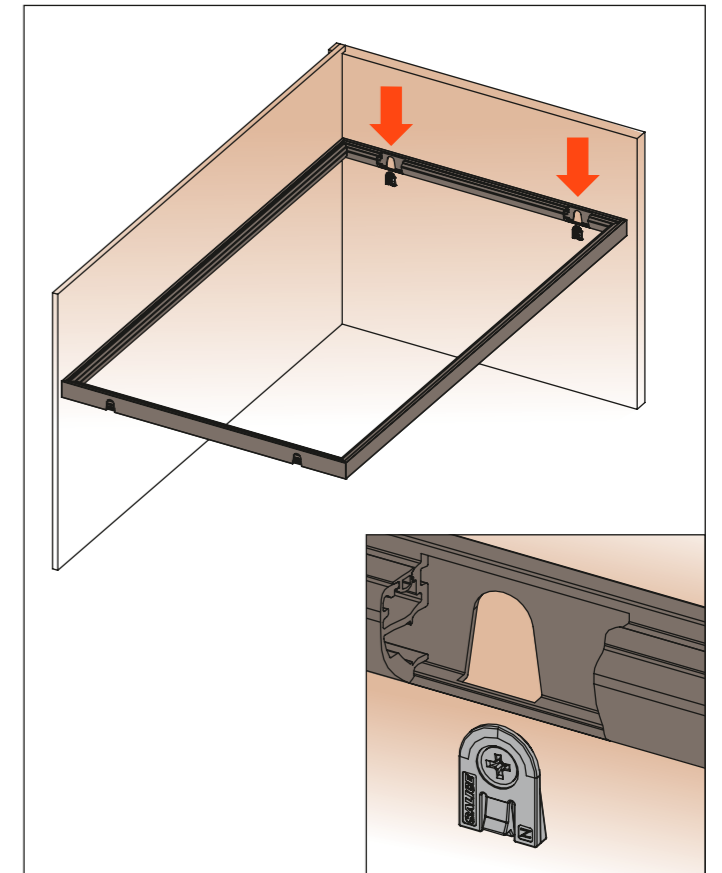


## Assembly instructions

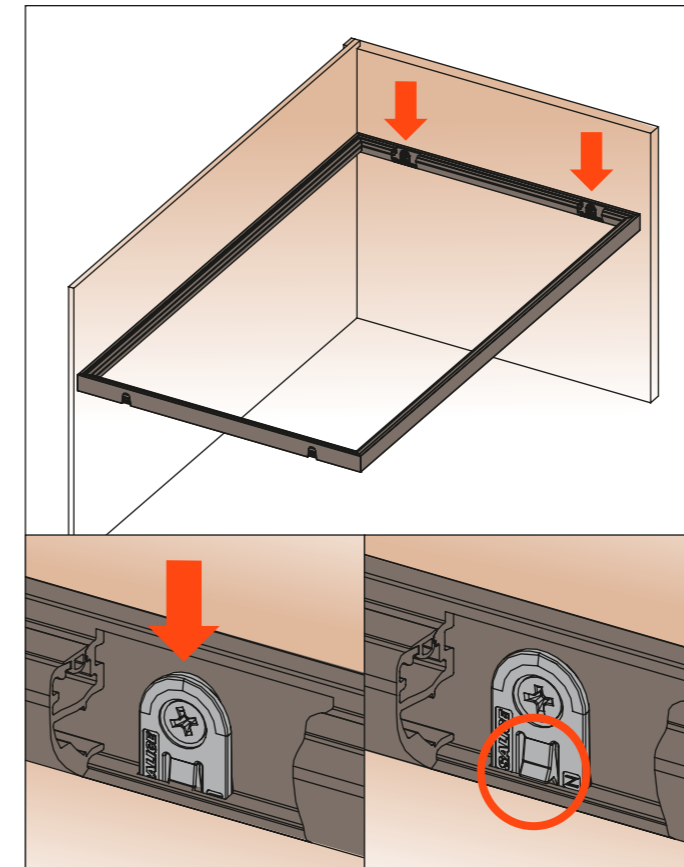
1. Screw-fix the supports to the cabinet side



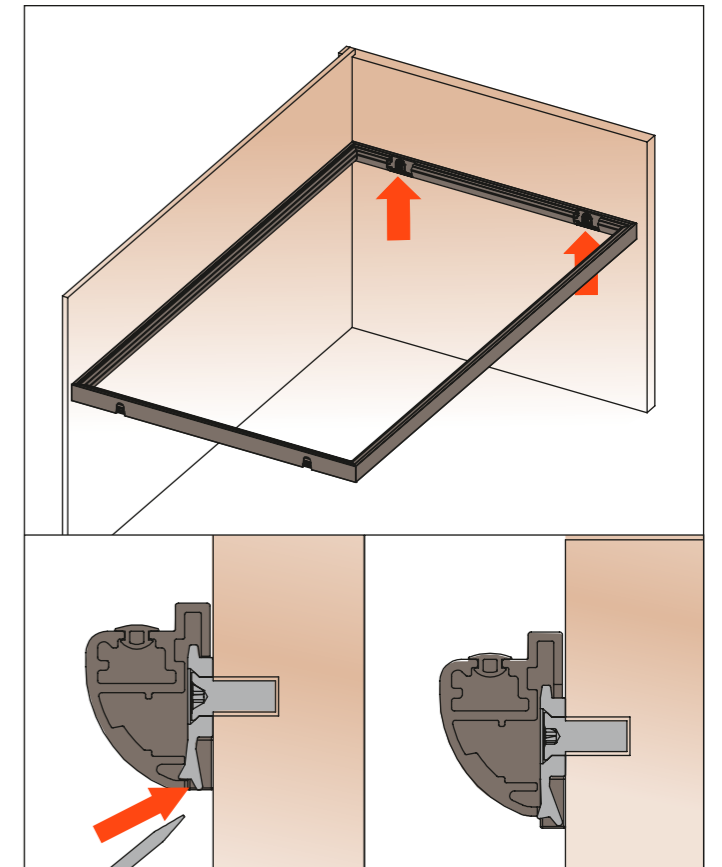
2. Place the shelf onto the supports



3. Press down firmly to lock the shelf in position



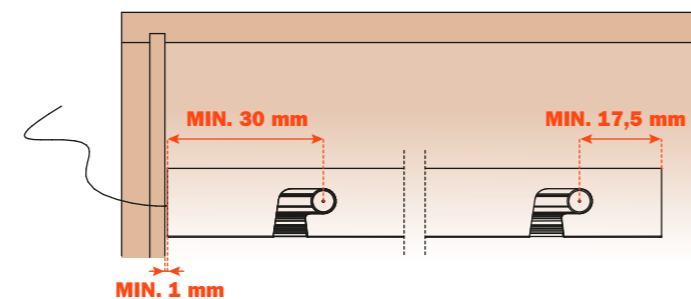
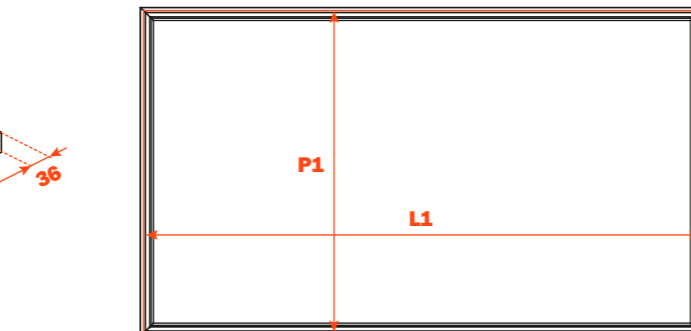
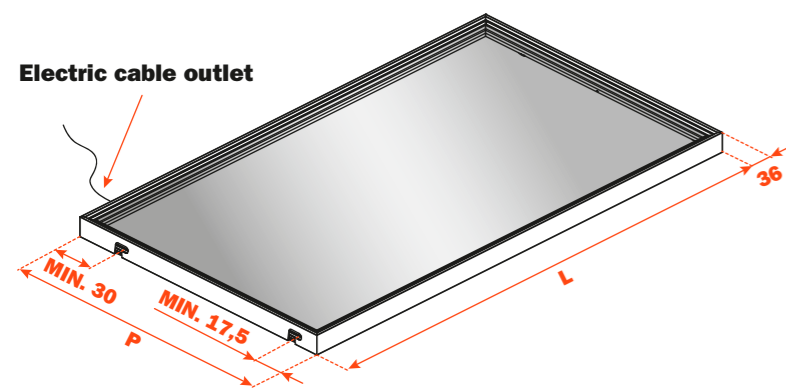
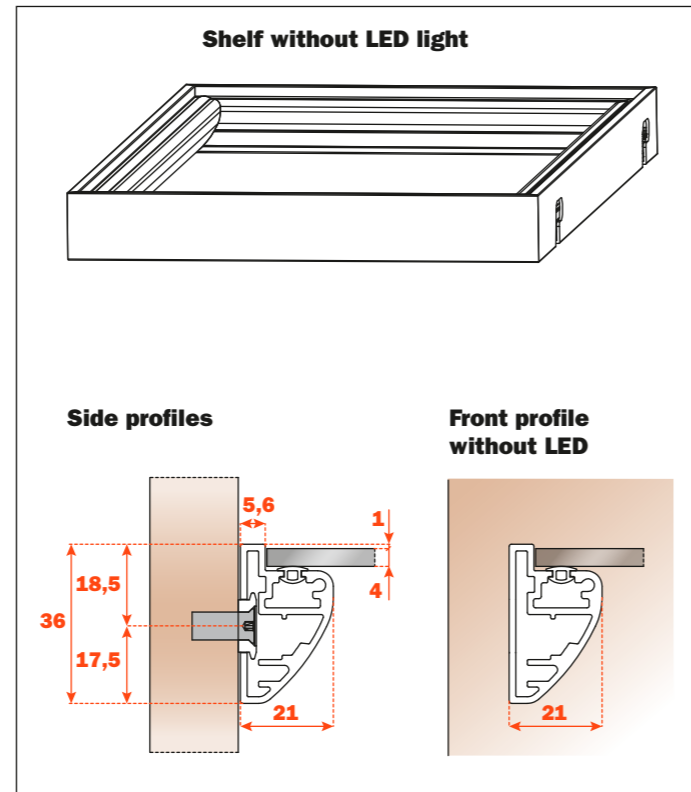
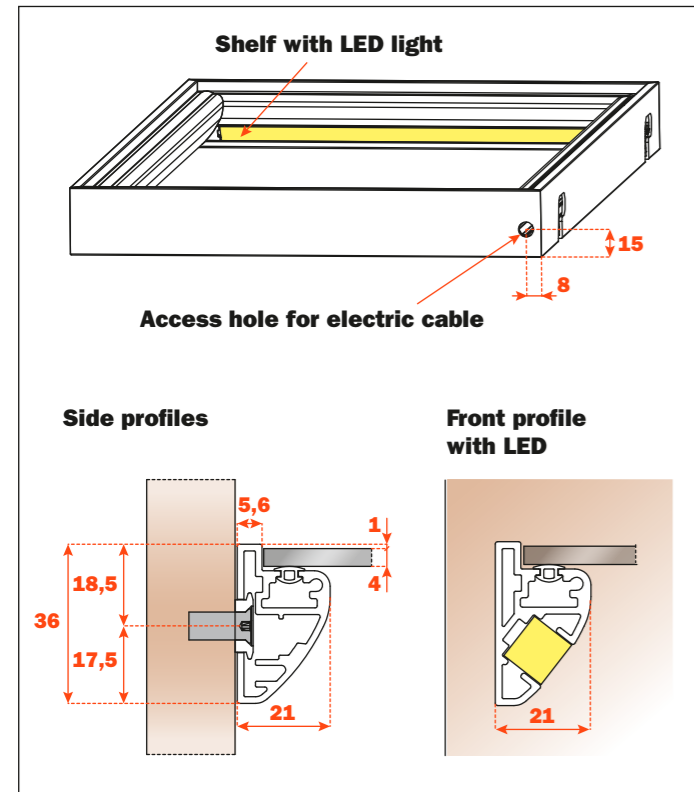
4. Use a screwdriver here to release the shelf



## Excessories - shelves - aluminium frame H 36 mm

### Shelf with aluminium frame

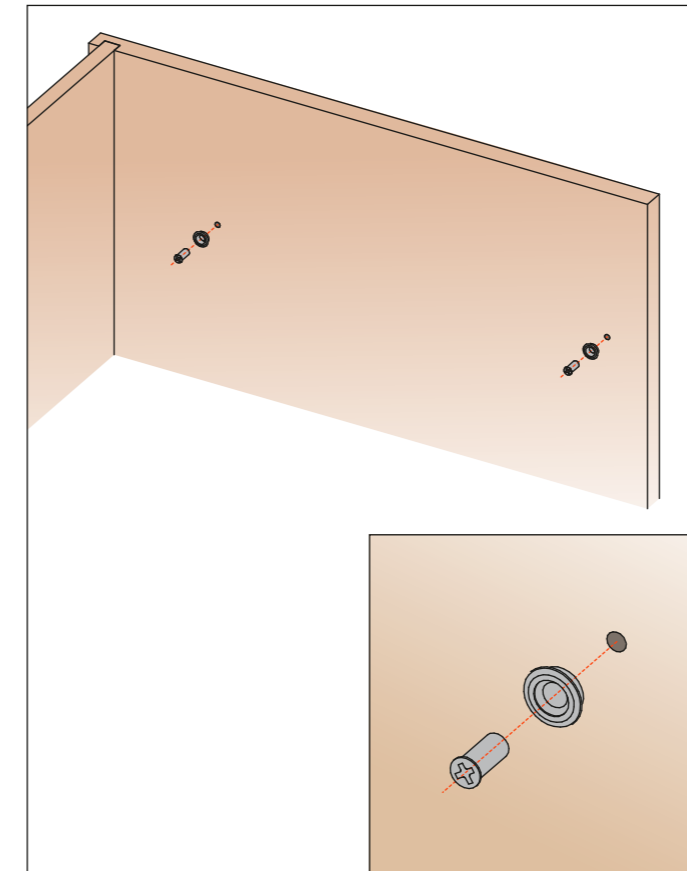
- Profile height: 36 mm
- Material: epoxy-coated aluminium
- Finish: metal grey brown
- Max. width: 1500 mm
- Fixing: side fixed with slide and lock device
- Complete with gasket to hold glass inlay in position
- Glass not supplied
- Available without LED light or with 3000K/4000K Dual colour, 24V LED light
- Supports for hanging rails to be ordered separately
- 3 metre extension cable included
- Custom made to order by specifying width (L) and depth (P)
- Consumption: 13W/M



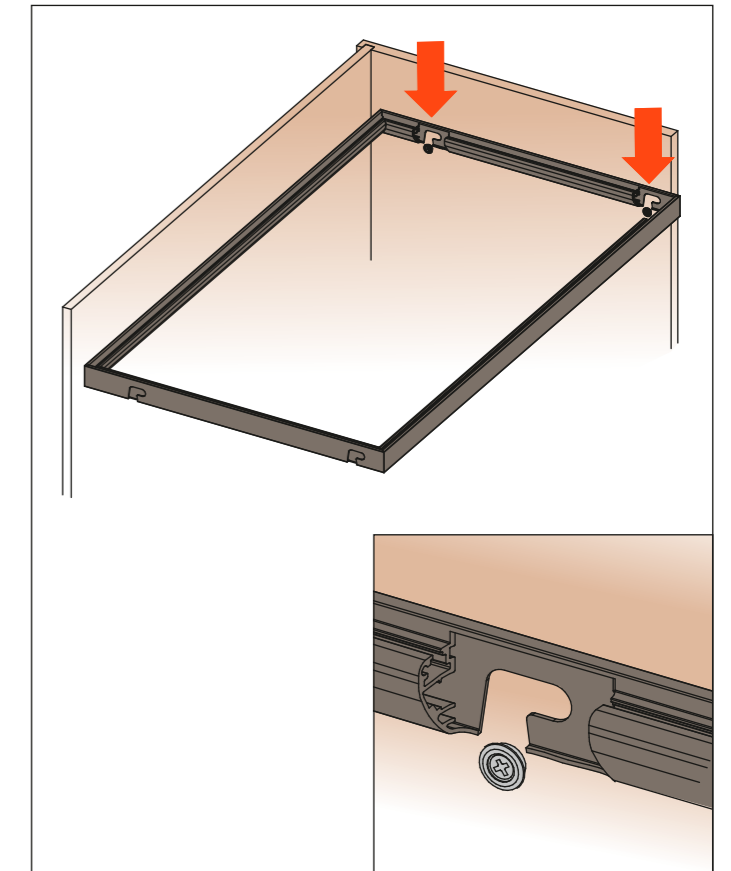
Internal width (L1) mm	Internal depth (P1) mm
L - 13	P - 13

## Assembly instructions

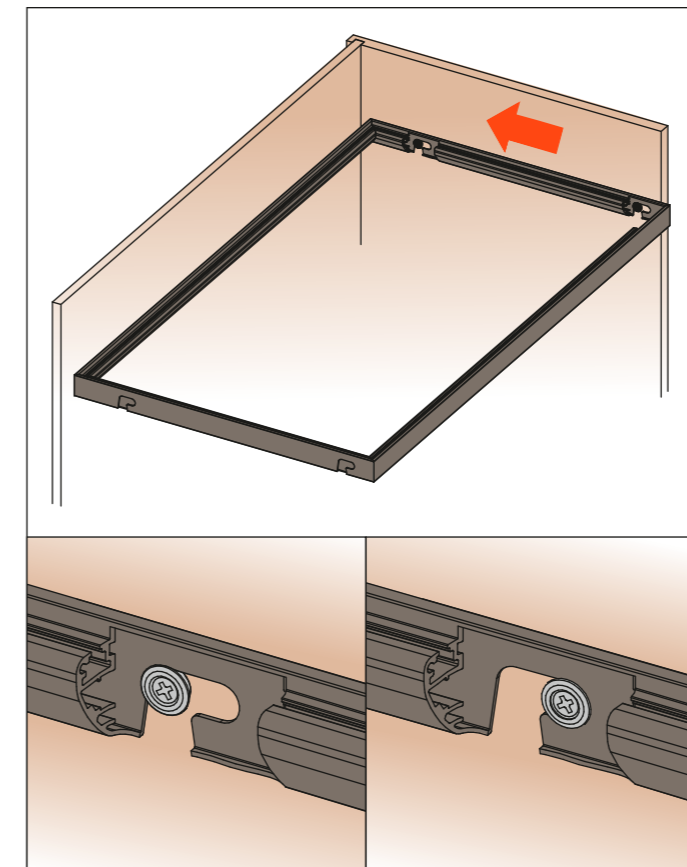
1. Screw-fix the supports to the cabinet side



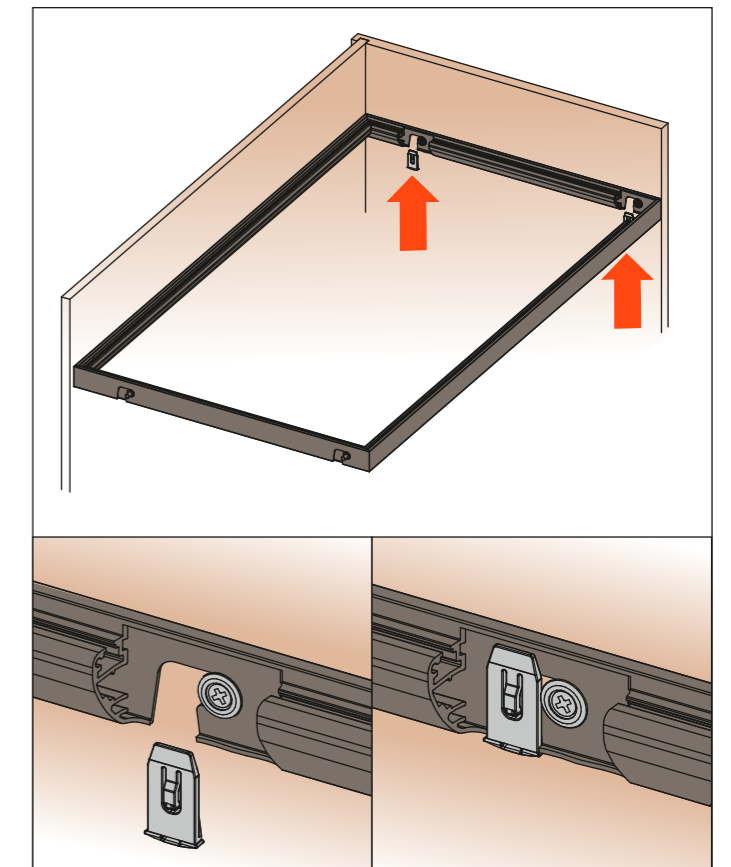
2. Place the shelf onto the supports



3. Slide the shelf backwards to secure it on the support



4. Insert the locking clips



## Excessories - shelves - aluminium frame H 36

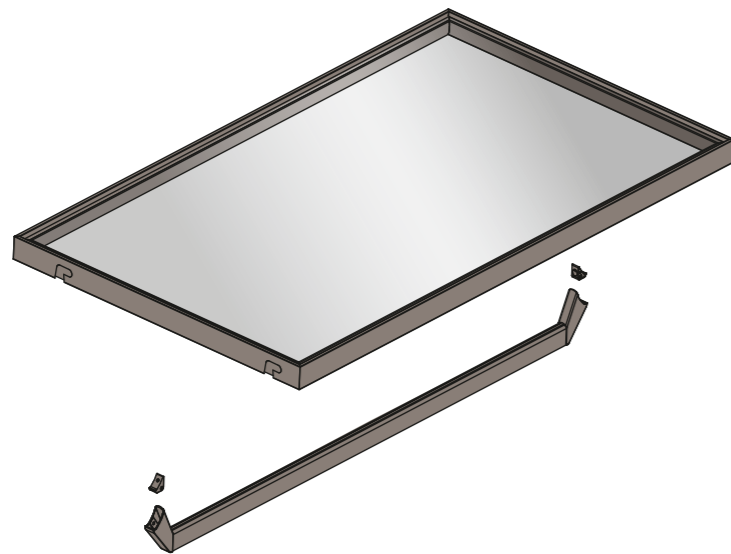
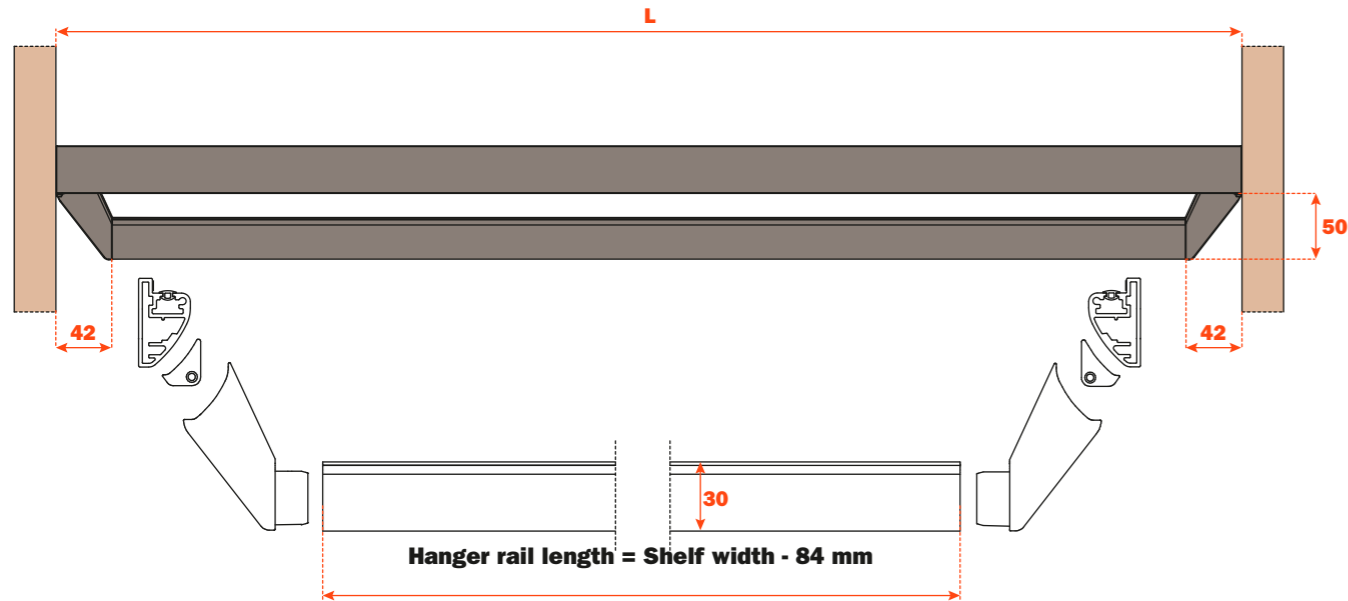
**YE80DAHA0133B** = Hanger rail for clothes, 1000 mm length

**YE80DAHA0233B** = Hanger rail for clothes, 1500 mm length

**YE80GMRA00533B** = Side rail-holder supports

### Hanger rail for clothes and rail-holder supports for shelf with aluminium frame H 36

- Hanger rail material: epoxy-coated aluminium, section 15 x 30 mm
- Supports material: epoxy-coated die-cast
- Finish: metal grey brown
- Max. recommended load capacity:
  - up to 1200 mm width: 30 Kg
  - from 1201 mm to 1500 mm width: 15 Kg
- Packing: 20 pieces per box, screws included
- Custom-length hanging rail available when ordering more than 20 pieces

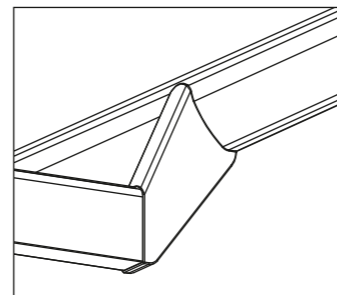
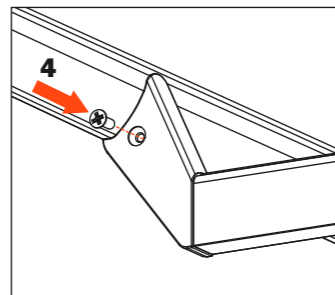
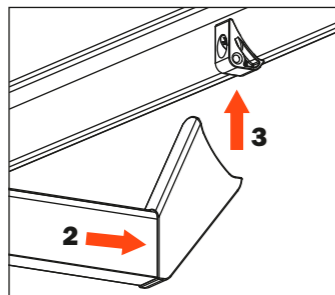
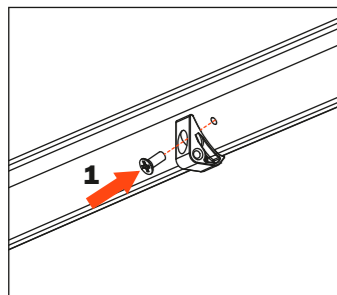


Screw-fix the adapters to the shelf

Insert the hanger rail into the rail-holders and insert them into the adapters

Screw-fix the rail-holders to the adapters


Front view




## Electrical components





## Electrical components

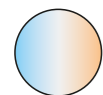
### Transformers

	Code number	Description	<b>2 MT</b> 
<b>1</b>	<b>YE80EAMA101XXA</b>	Transformer 120/240 24V 90W 8U. + cable UE (1/1)	
	<b>YE80EAMA102XXA</b>	Transformer 120/240 24V 90W 8U. + cable UK (1/1)	
	<b>YE80EAMA103XXA</b>	Transformer 120/240 24V 90W 8U. + cable US (1/1)	
	<b>YE80EAMA104XXA</b>	Transformer 120/240 24V 90W 8U. + cable CN (1/1)	

	Code number	Description	<b>2 MT</b> 
<b>4</b>	<b>YE80EAMA121XXA</b>	Transformer <b>EDC</b> 120/240 24V 90W 8U. + cable UE (1/1)	
	<b>YE80EAMA122XXA</b>	Transformer <b>EDC</b> 120/240 24V 90W 8U. + cable UK (1/1)	
	<b>YE80EAMA123XXA</b>	Transformer <b>EDC</b> 120/240 24V 90W 8U. + cable US (1/1)	
	<b>YE80EAMA124XXA</b>	Transformer <b>EDC</b> 120/240 24V 90W 8U. + cable CN (1/1)	

### Wireless controls

	Code number	Description	
<b>9</b>	<b>YE80EBXA001XXA</b>	Wall mounted wireless control with dimmer function for light intensity and colour temperature. It transforms the standard buttons in wireless control.	
<b>5</b>	<b>YE80EBXA102XXA</b>	Wireless control with dimmer function for light intensity and colour temperature.	
<b>6</b>	<b>YE80EBXA003XXA</b>	Recessed wireless touch control with dimmer function for light intensity and colour temperature.	
<b>7</b>	<b>YE80EBXA104XXA</b>	Wireless touch and PIR (Passive infrared) control with dimmer function for light intensity and colour temperature.	



EDC function (Emotion Dual Color): colour temperature varies from "warm" to "natural"



Dimmer function



Range: 15 m internal area



Battery type: CR2450





Estimated battery life: 3 years





\* Compatible with transformer with wireless control receiver


## Excessories - shelves - electrical components

	Code Number	Movement sensor (IR) recessed mounted for single door	
<b>11</b>	<b>YE80EBMA123XXA</b>	IR DOOR TUBE - White - 1 door	
	<b>YE80EBMA124XXA</b>	IR DOOR TUBE - Black - 1 door	

	Code Number	Movement sensor (IR) recessed mounted for double door	
<b>12</b>	<b>YE80EBMA125XXA</b>	IR DOOR TUBE - White - 2 doors*	 <p><b>* x2</b></p>
	<b>YE80EBMA126XXA</b>	IR DOOR TUBE - Black - 2 doors*	

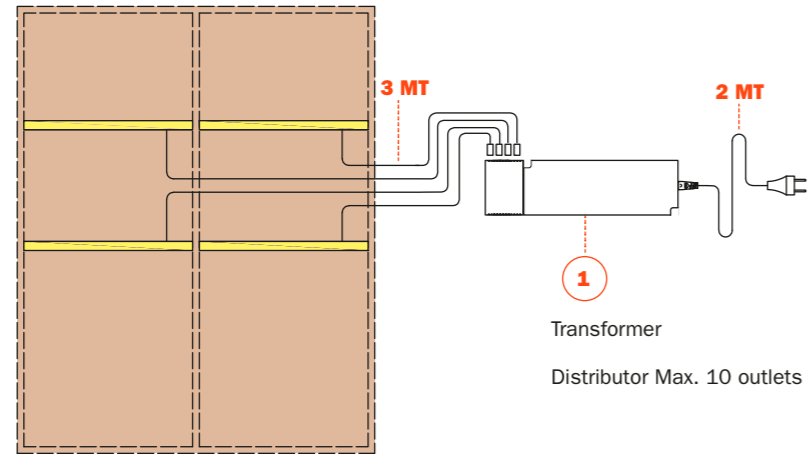
	Code Number	Proximity sensor (PIR) recessed mounted	
<b>13</b>	<b>YE80EBMA121XXA</b>	PIR sensor on 2 metre long cable Mono 24 V DC 4 Max 5 A total, max 3 A/output	

	Code Number	Proximity sensor (IR) recessed mounted	
<b>14</b>	<b>YE80EBMA122XXA</b>	IR Infrared sensor on 2 metre long cable Mono 24 V DC 4 Max 5 A total, max 3 A/output	

	Code Number	Wired module for IR and PIR sensors	
<b>10</b>	<b>YE80EMA101XXA</b>	WIRED module for proximity and movement sensors. One module is controlled by a sensor and has 4 outputs	

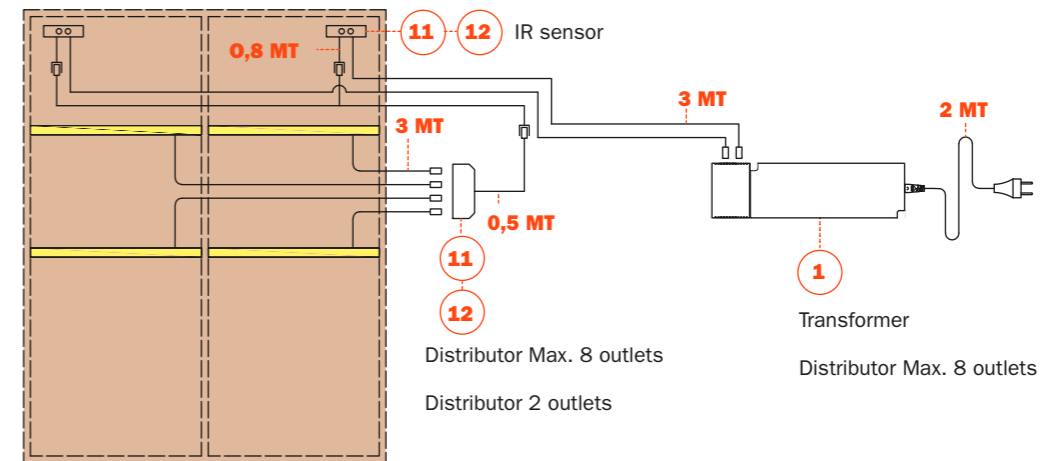
## Excessories - shelves - aluminium frame - application examples

### Activation by domestic switch

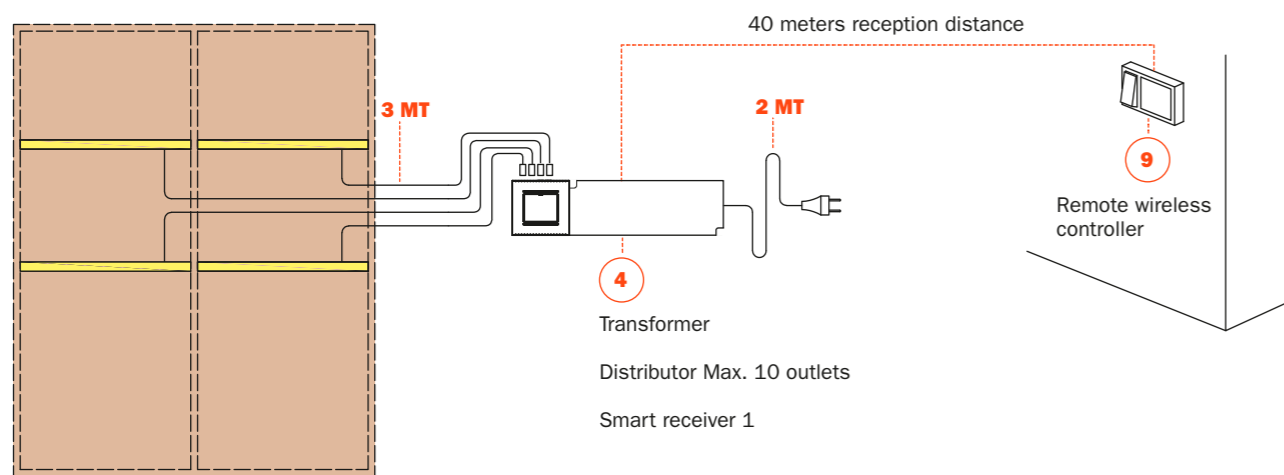


## Application examples

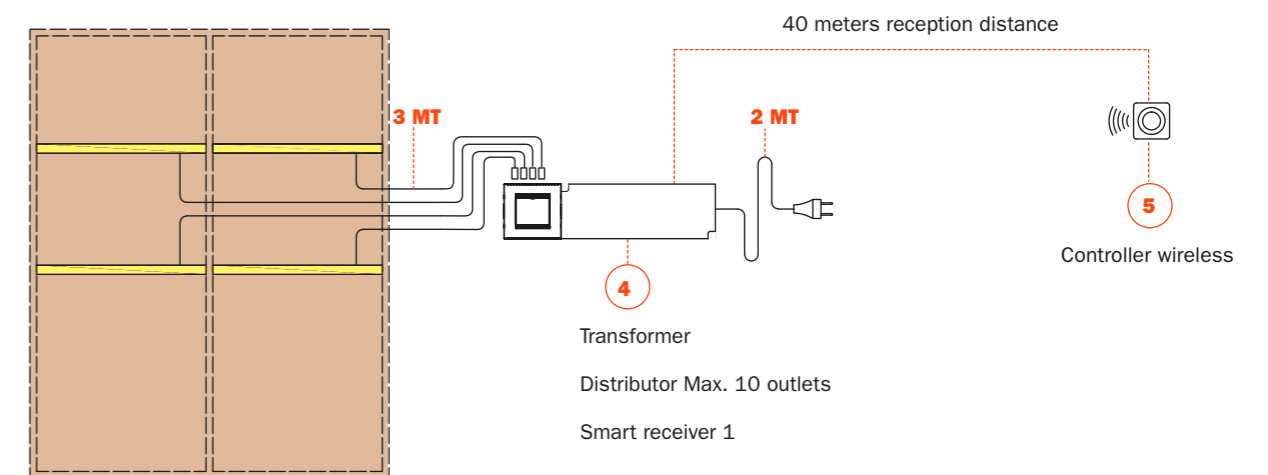
### Activation with 1 or 2 IR sensors - Surface mounted/Recessed



### Activation by smart switch controller

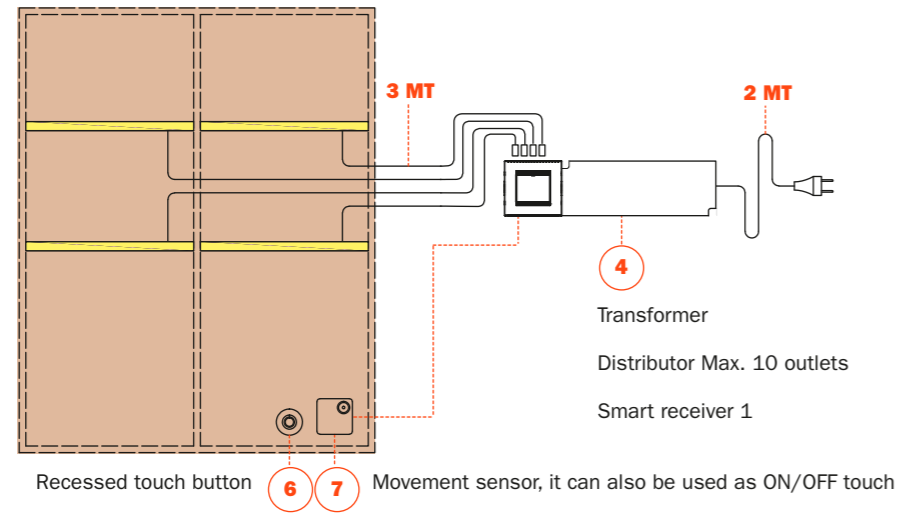


### Activation with 1 smart controller

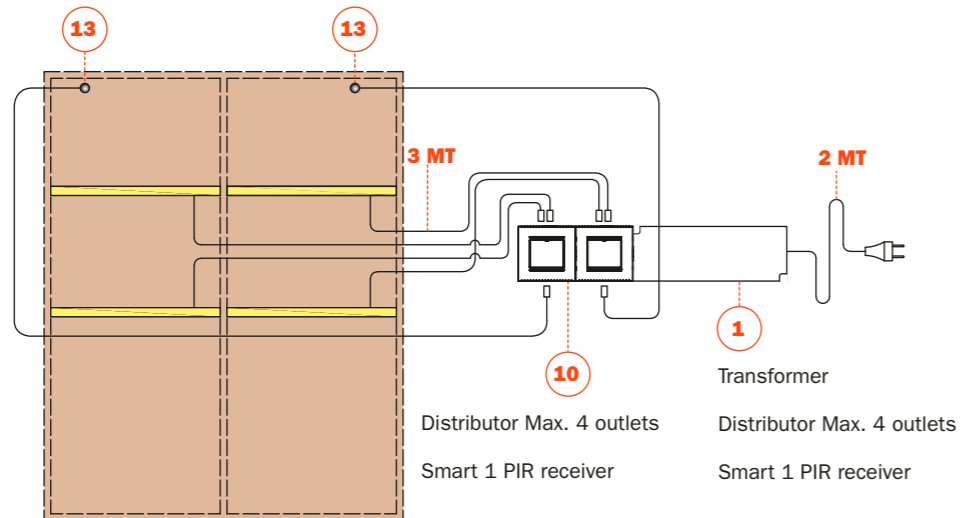


## Excessories - shelves - aluminium frame - application examples

### Activation with 1 smart touch or smart sensor controller

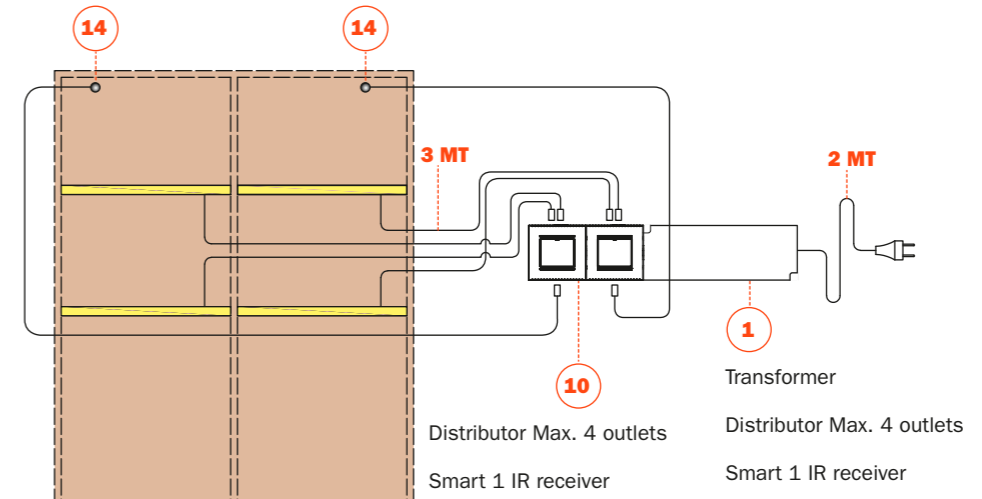


### Activation with Smart 1 PIR controller



## Application examples

### Activation with Smart 1 IR controller







**SALICE AMERICA INC.**

2123 CROWN CENTRE DRIVE  
CHARLOTTE NC. 28227  
TEL. 704 841 7810  
FAX. 704 841 7808  
info.salice@saliceamerica.com  
www.saliceamerica.com

**SALICE CANADA INC.**

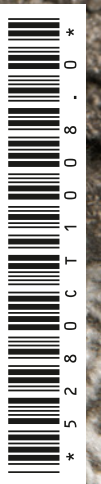
3500 RIDGEWAY DRIVE, UNIT#1  
MISSISSAUGA, ONTARIO, L5L 0B4  
TEL. 905 820 8787  
FAX. 905 820 7226  
info.salice@salicecanada.com  
www.salicecanada.com



Digital contents



DOCASAA19USACDN  
Ec. 03 - 07/2024



[www.salice.com](http://www.salice.com)